



US00D867182S

(12) **United States Design Patent** (10) **Patent No.:** **US D867,182 S**  
**Ogomi et al.** (45) **Date of Patent:** **\*\* Nov. 19, 2019**

(54) **MAGNETIC READING SENSOR**

(56) **References Cited**

(71) Applicant: **Mitsubishi Electric Corporation**,  
Tokyo (JP)  
(72) Inventors: **Tomokazu Ogomi**, Tokyo (JP); **Kenji Shimohata**, Tokyo (JP); **Hideki Matsui**, Tokyo (JP); **Sadaaki Yoshioka**, Tokyo (JP)  
(73) Assignee: **Mitsubishi Electric Corporation**,  
Tokyo (JP)  
(\*\*) Term: **15 Years**  
(21) Appl. No.: **29/674,124**  
(22) Filed: **Dec. 19, 2018**

U.S. PATENT DOCUMENTS

2,974,277 A \* 3/1961 Wales ..... G01R 33/02  
324/258  
D593,426 S \* 6/2009 Huang ..... D10/46  
D835,099 S \* 12/2018 Brine ..... D10/46  
2017/0047506 A1\* 2/2017 Annunziata ..... H01L 43/02  
2018/0329012 A1\* 11/2018 Ueyama ..... G01R 33/02  
\* cited by examiner

*Primary Examiner* — Antoine Duval Davis  
(74) *Attorney, Agent, or Firm* — Studebaker & Brackett PC

**Related U.S. Application Data**

(62) Division of application No. 29/631,730, filed on Jan. 2, 2018.

(57) **CLAIM**

The ornamental design for a magnetic reading sensor, as shown and described.

**Foreign Application Priority Data**

Jul. 18, 2017 (JP) ..... 2017-015418  
Jul. 18, 2017 (JP) ..... 2017-015419  
Jul. 18, 2017 (JP) ..... 2017-015420  
Jul. 18, 2017 (JP) ..... 2017-015421  
Jul. 18, 2017 (JP) ..... 2017-015422

**DESCRIPTION**

(51) **LOC (12) Cl.** ..... **10-04**  
(52) **U.S. Cl.**  
USPC ..... **D10/75**  
(58) **Field of Classification Search**  
USPC ..... D10/46, 75  
CPC .... G01R 33/02; G01R 33/0385; G01R 33/06;  
G01R 33/09; G01R 33/091; G01R  
33/096; G01D 5/16; G07D 7/04  
See application file for complete search history.

FIG. 1 is a front, top, and right side perspective view of a magnetic reading sensor showing our new design;  
FIG. 2 is a front view thereof;  
FIG. 3 is a rear view thereof;  
FIG. 4 is a left side view thereof;  
FIG. 5 is a right side view thereof;  
FIG. 6 is a top view thereof;  
FIG. 7 is a bottom view thereof; and,  
FIG. 8 is an enlarged partial view of FIG. 1 thereof.  
The broken lines set forth in the several figures illustrate portions of the magnetic reading sensor that form no part of the claimed design.

**1 Claim, 8 Drawing Sheets**

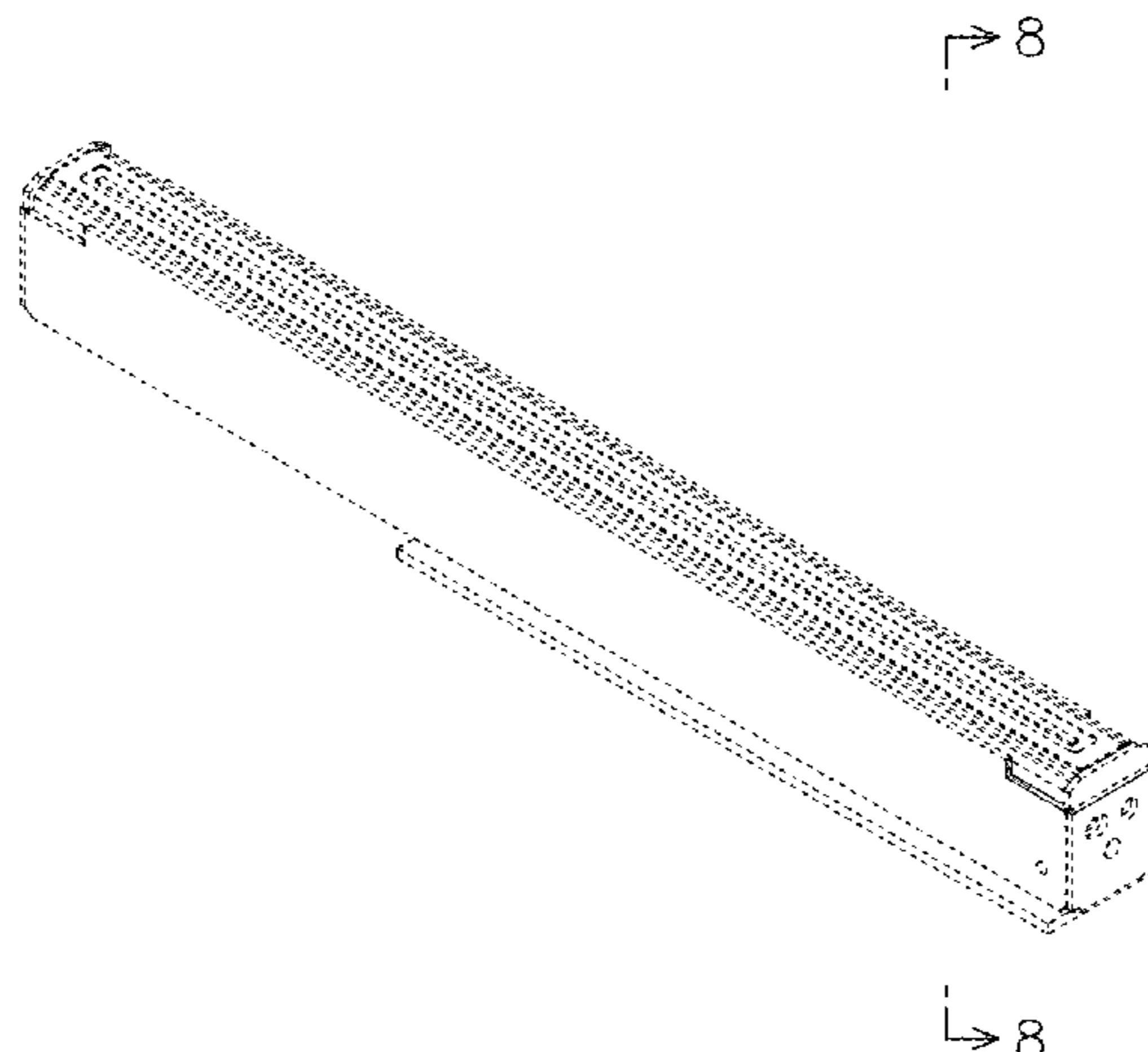


Fig.1

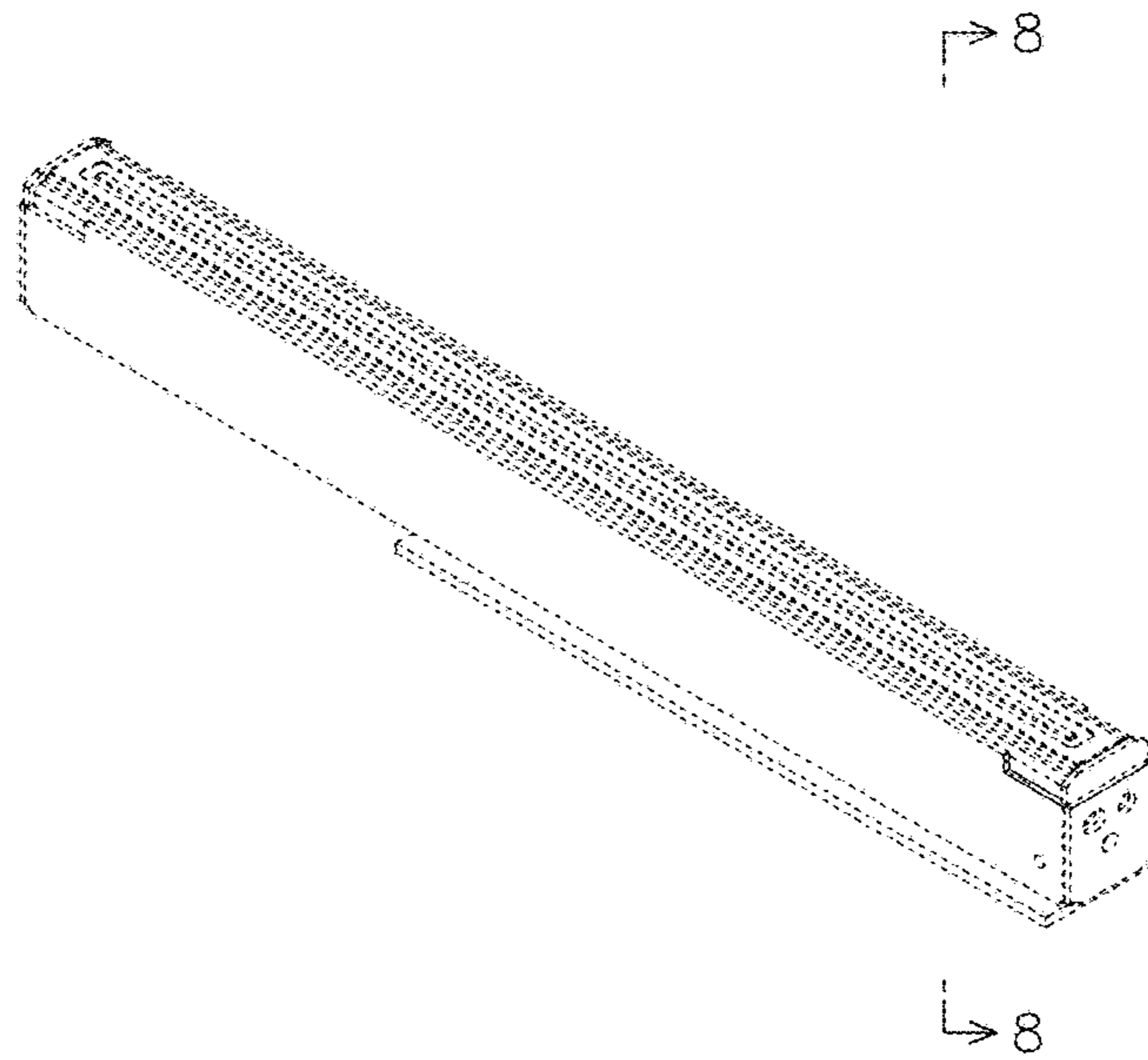


Fig.2

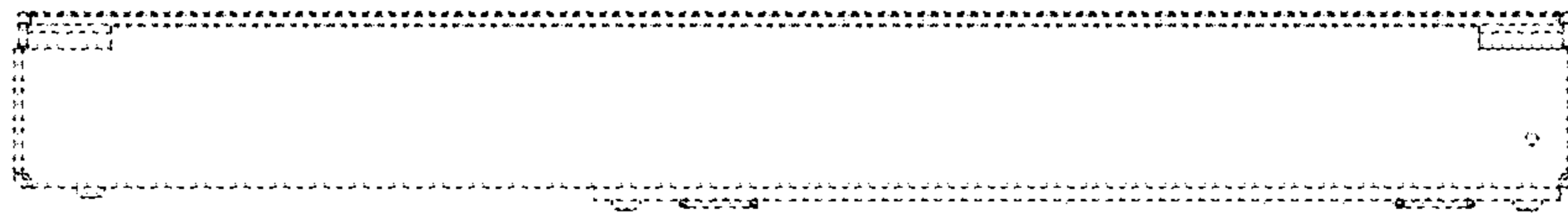


Fig.3

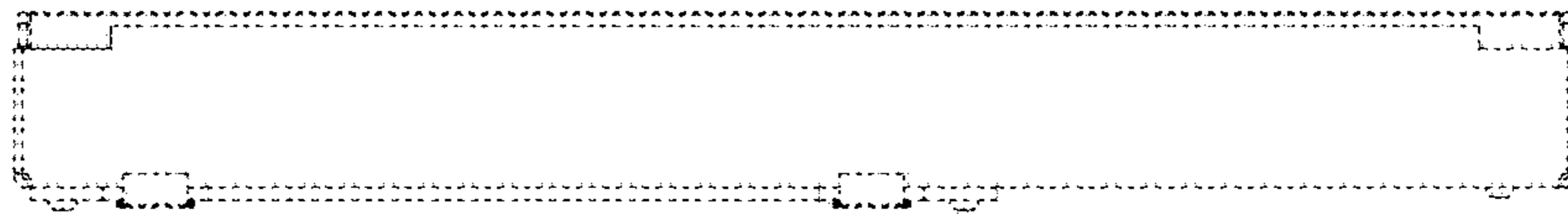


Fig.4



Fig.5



Fig.6

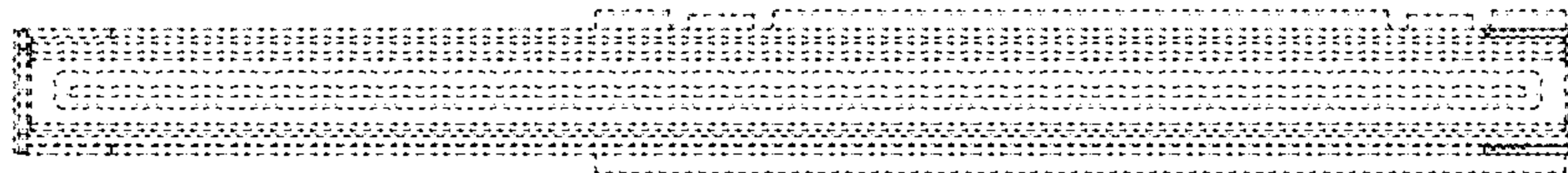


Fig.7

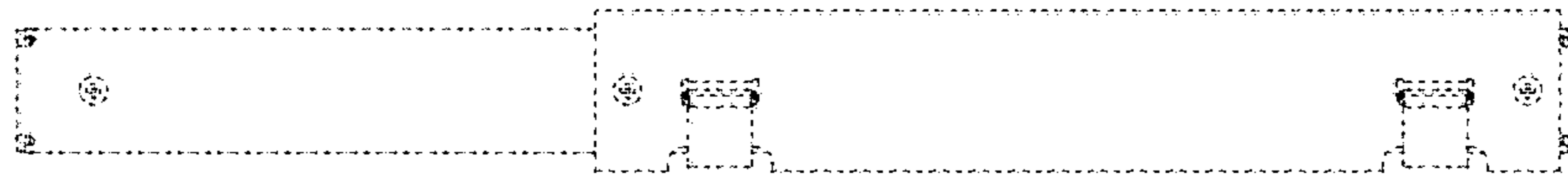




Fig.8

