



US00D867181S

(12) **United States Design Patent** (10) **Patent No.:** **US D867,181 S**
Day et al. (45) **Date of Patent:** **** Nov. 19, 2019**

(54) **TAPE MEASURE**

(71) Applicant: **APEX BRANDS, INC.**, Apex, NC (US)

(72) Inventors: **Adam Day**, Huntersville, NC (US);
Adam Baxter, Raleigh, NC (US); **Vlad Patrangenu**, Ellicott City, MD (US);
Jonathan Beckwith, Raleigh, NC (US)

(73) Assignee: **APEX BRANDS, INC.**, Apex, NC (US)

(**) Term: **15 Years**

(21) Appl. No.: **29/656,426**

(22) Filed: **Jul. 12, 2018**

(51) **LOC (12) Cl.** **10-04**

(52) **U.S. Cl.**
USPC **D10/72**

(58) **Field of Classification Search**
USPC D10/72, 74
CPC G01B 3/10; G01B 3/1002; G01B 3/1041;
G01B 2003/1043; G01B 2003/1046;
G01B 2003/1048; G01B 2003/1051;
G01B 2003/1053; G01B 2003/1097;
G01B 3/1082; G01B 3/1056; G01B
3/563; G01B 3/566; G01B 3/1071; G01B
2003/1089; G01B 2003/1092; G01B
2003/1079; G01B 2003/1041; G07B 3/10
See application file for complete search history.

(56) **References Cited**

U.S. PATENT DOCUMENTS

D839,758 S * 2/2019 Mallozzi D10/72

* cited by examiner

Primary Examiner — Antoine Duval Davis

(74) *Attorney, Agent, or Firm* — Burr & Forman LLP

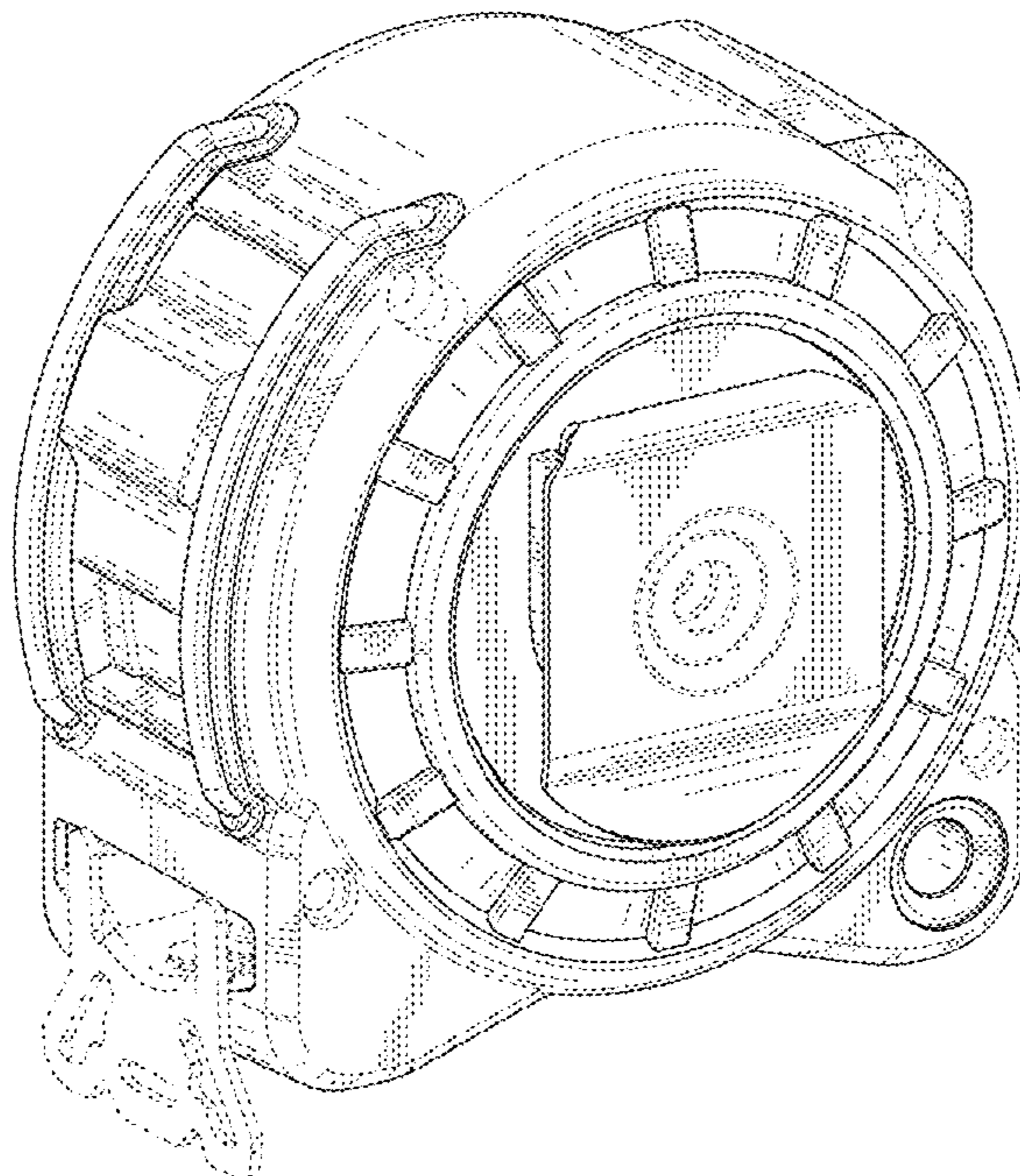
(57) **CLAIM**

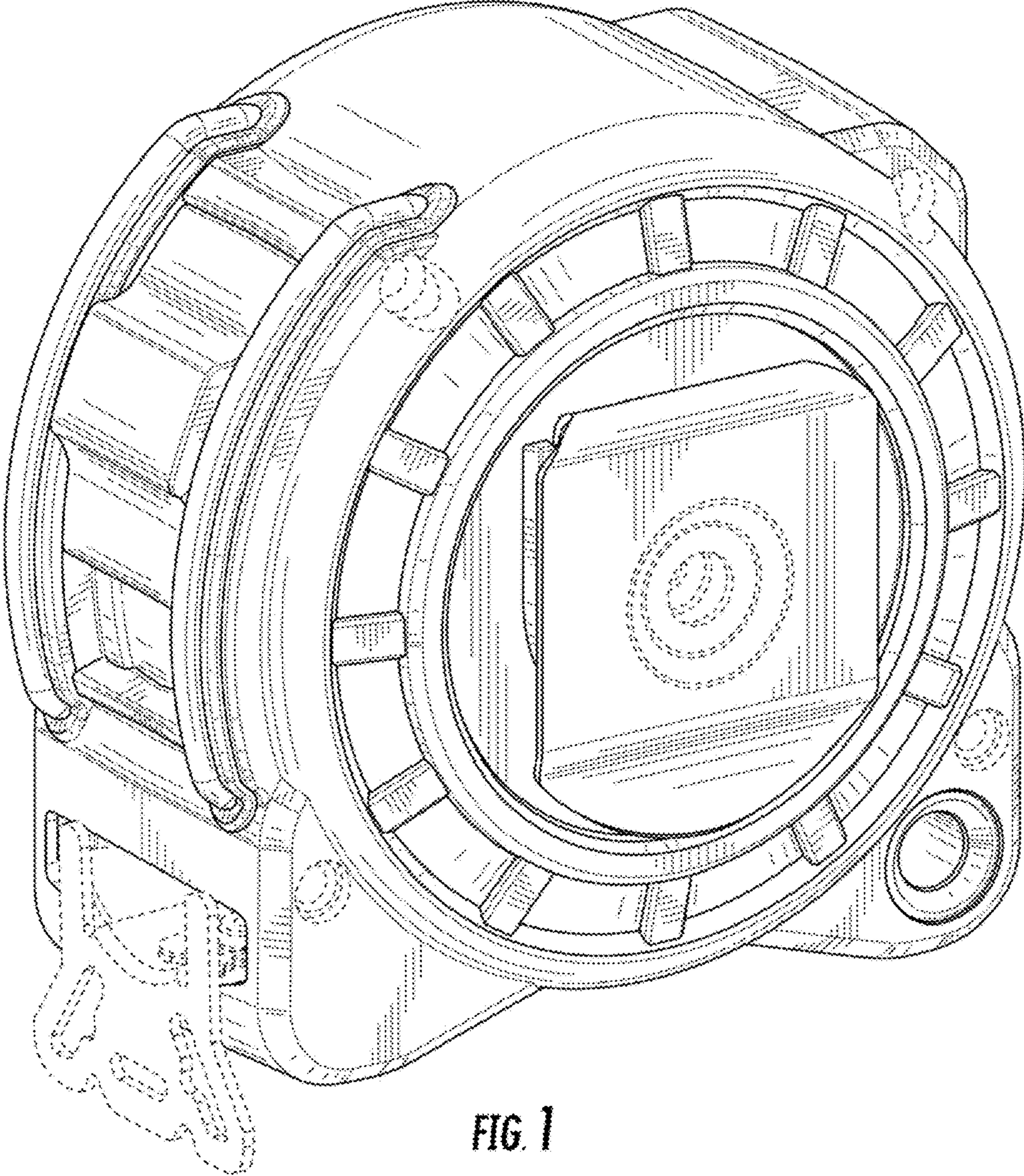
The ornamental design for the tape measure, as shown and described.

DESCRIPTION

FIG. 1 is a perspective view of a tape measure in accordance with an embodiment of the present invention; FIG. 2 is a front view of the tape measure of FIG. 1; FIG. 3 is a rear view of the tape measure of FIG. 1; FIG. 4 is a left side view of the tape measure of FIG. 1; FIG. 5 is a right side view of the tape measure of FIG. 1; FIG. 6 is a top view of the tape measure of FIG. 1; FIG. 7 is a bottom view of the tape measure of FIG. 1; FIG. 8 is perspective view of a tape measure in accordance with another embodiment of the present invention; FIG. 9 is a front view of the tape measure of FIG. 8; FIG. 10 is a rear view of the tape measure of FIG. 8; FIG. 11 is a left side view of the tape measure of FIG. 8; FIG. 12 is a right side view of the tape measure of FIG. 8; FIG. 13 is a top view of the tape measure of FIG. 8; and, FIG. 14 is a bottom view of the tape measure of FIG. 8. The broken lines of the tape measure in FIGS. 1-14 are illustrative of portions of the tape measure that form no part of the claimed design.

1 Claim, 14 Drawing Sheets





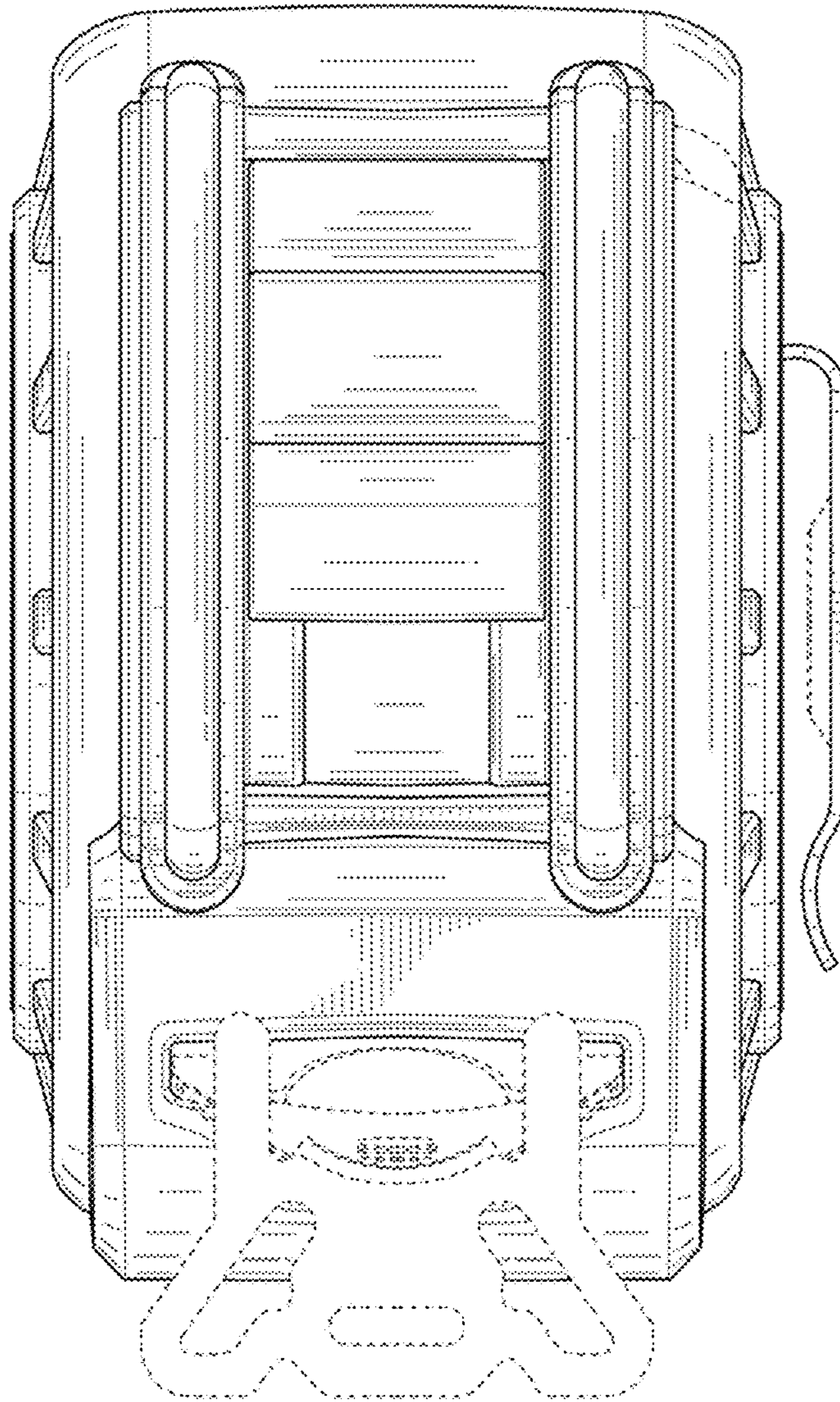


FIG. 2

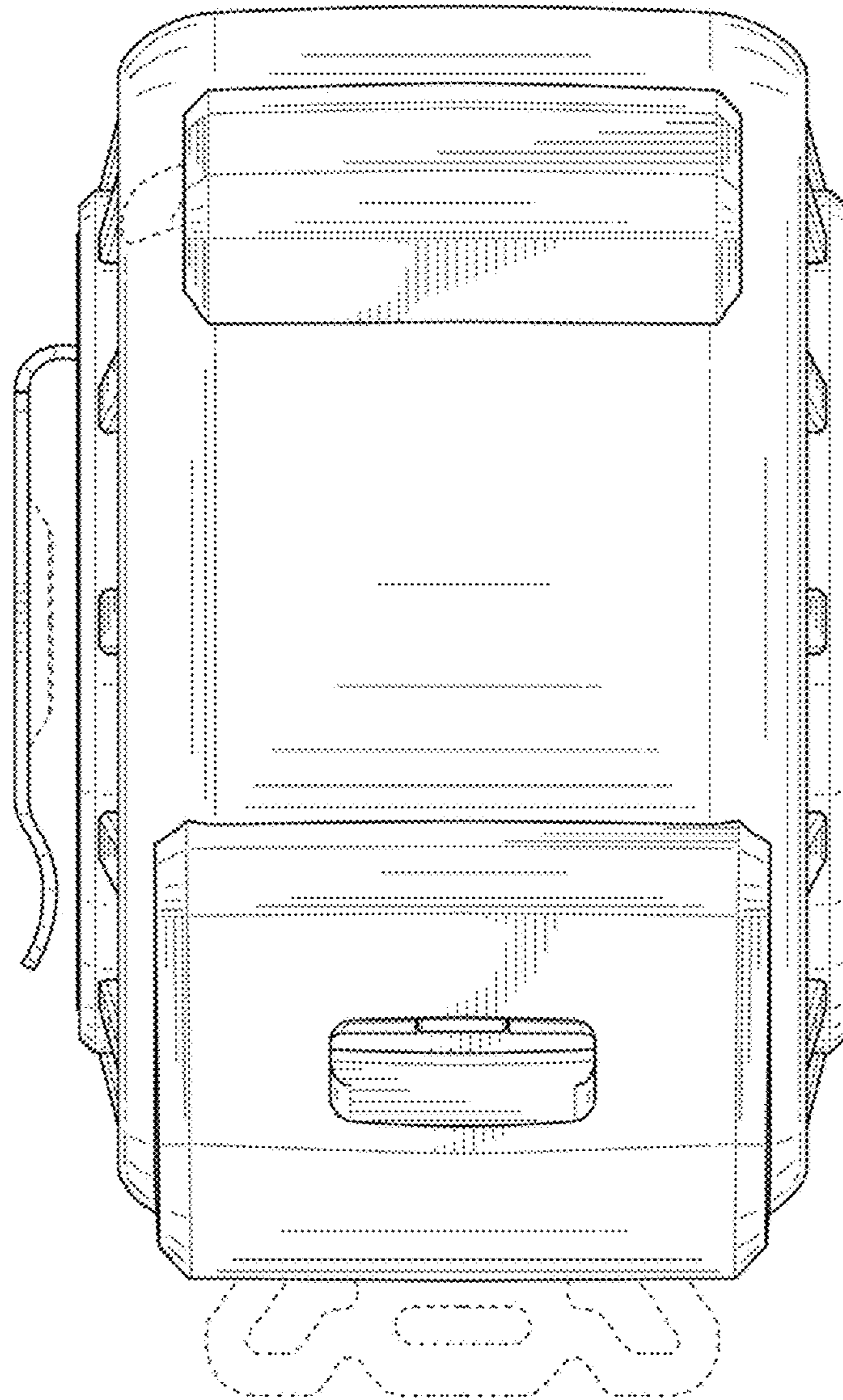


FIG. 3

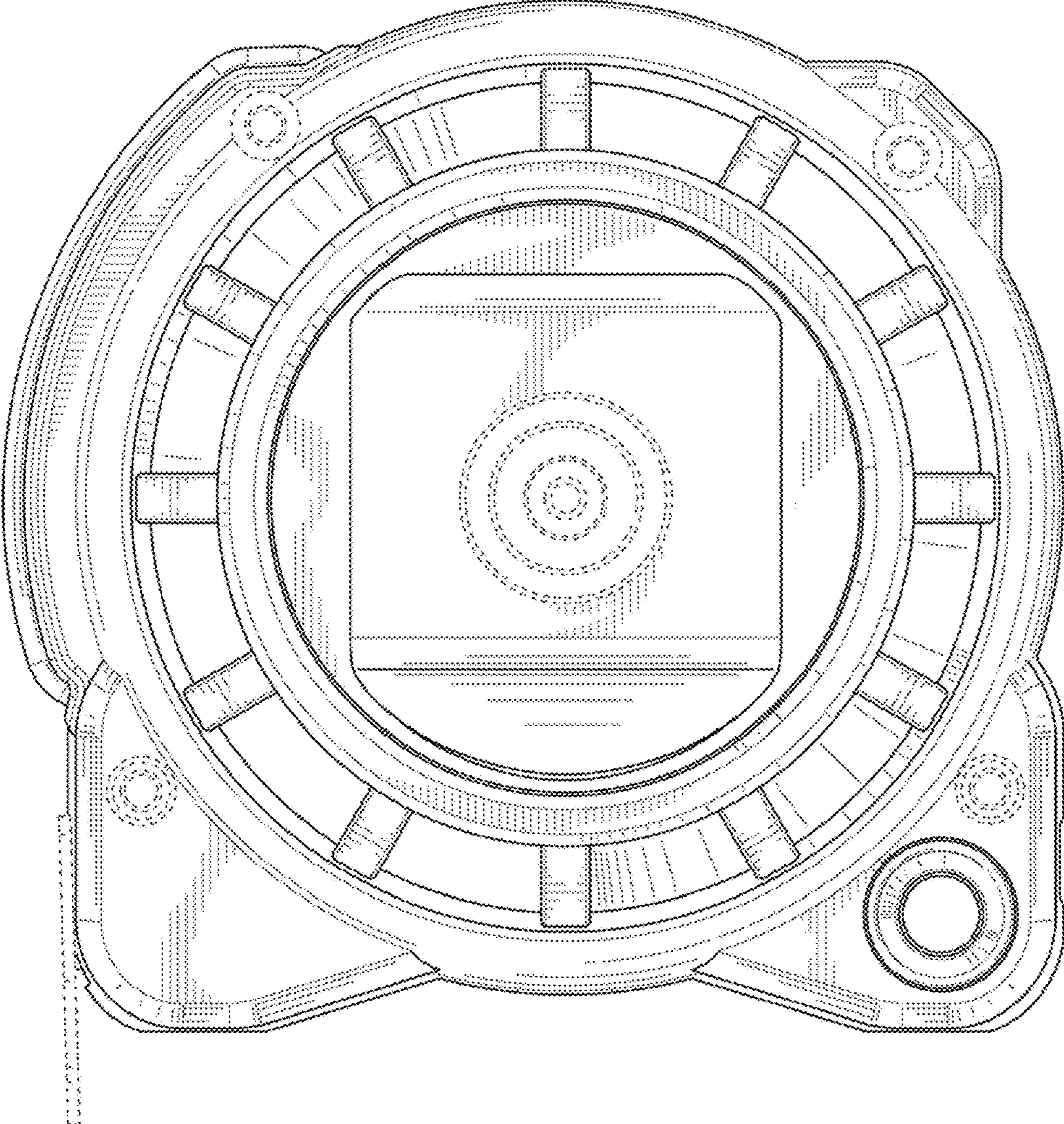


FIG. 4

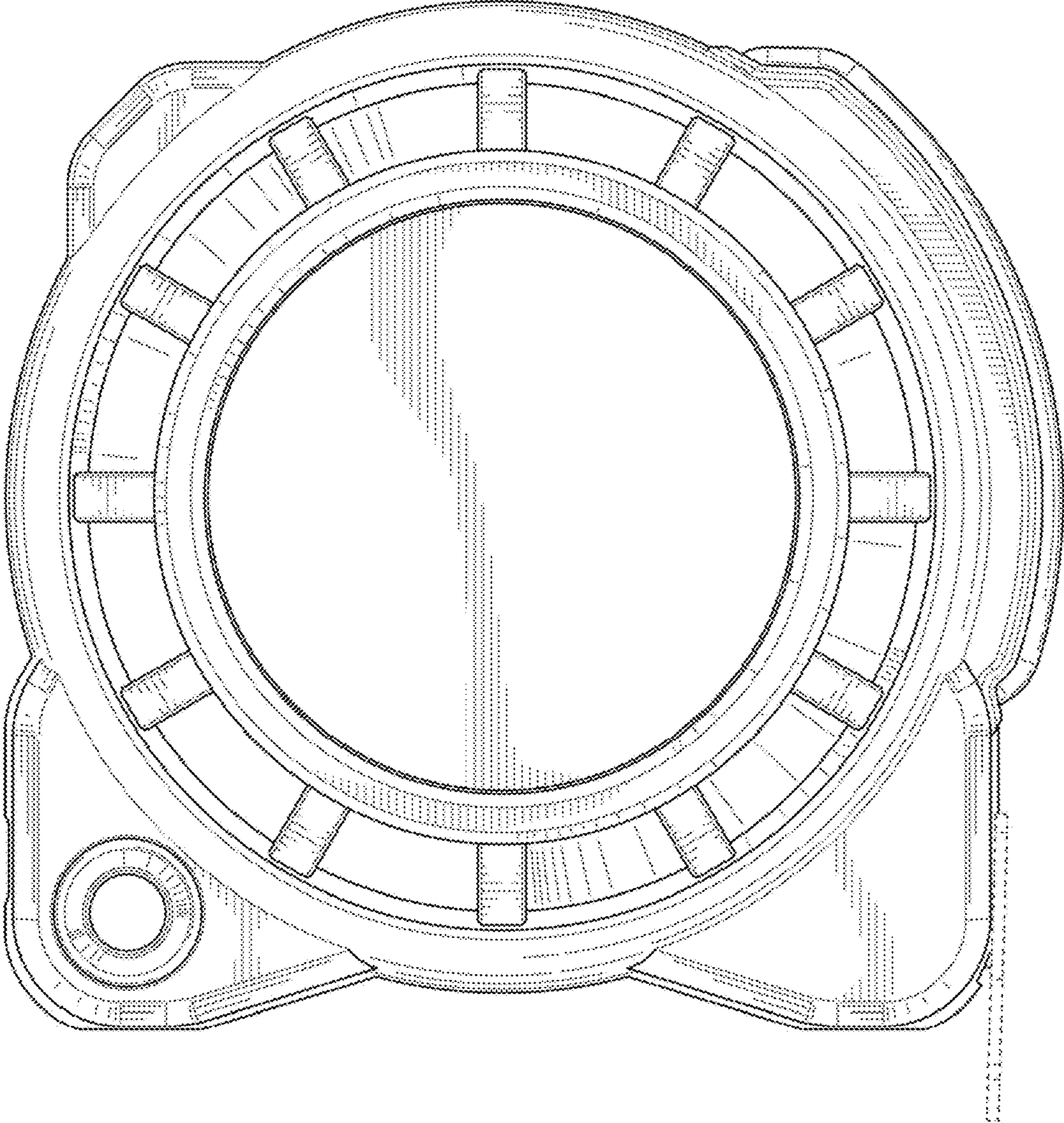


FIG. 5

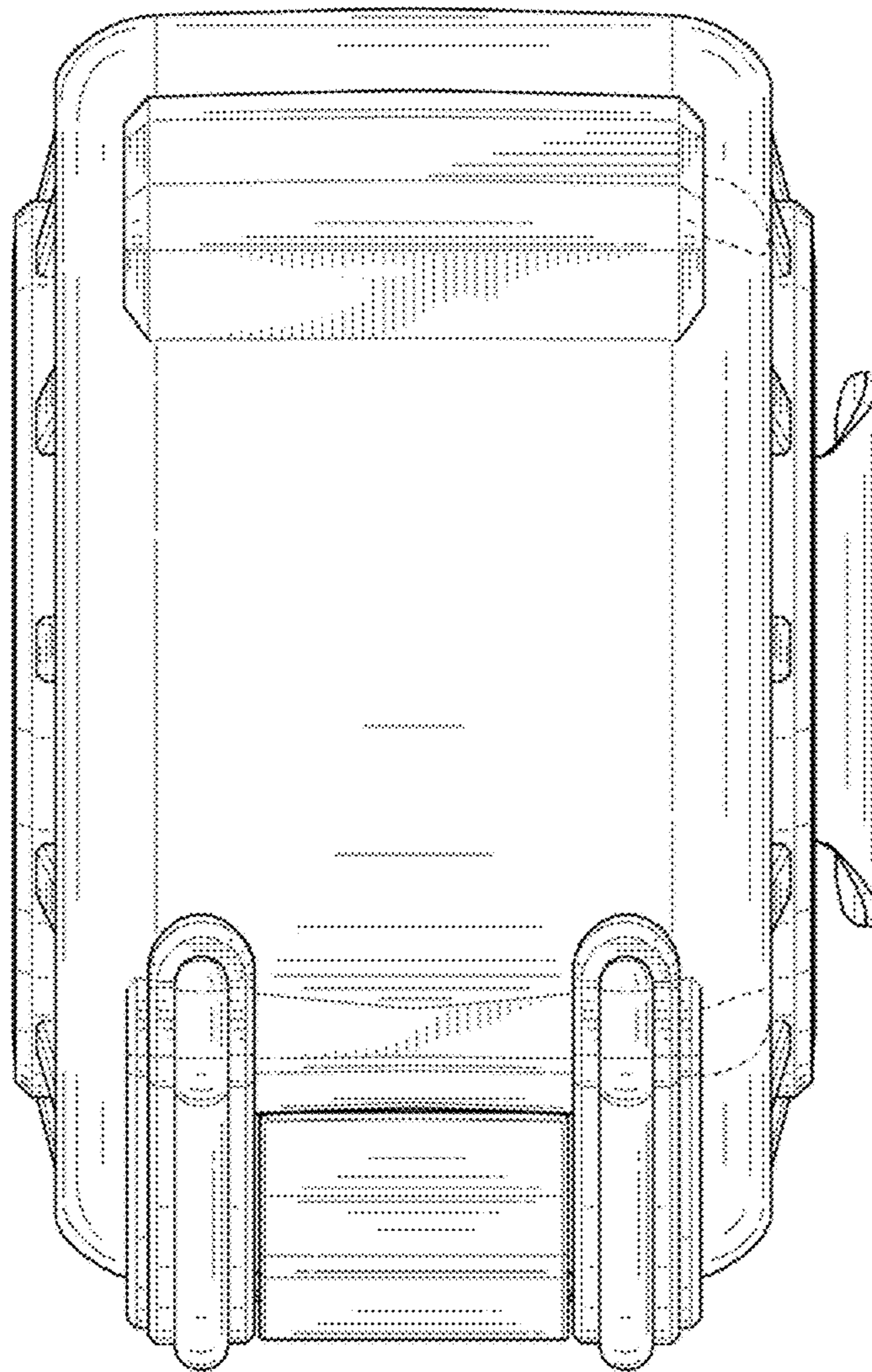


FIG. 6

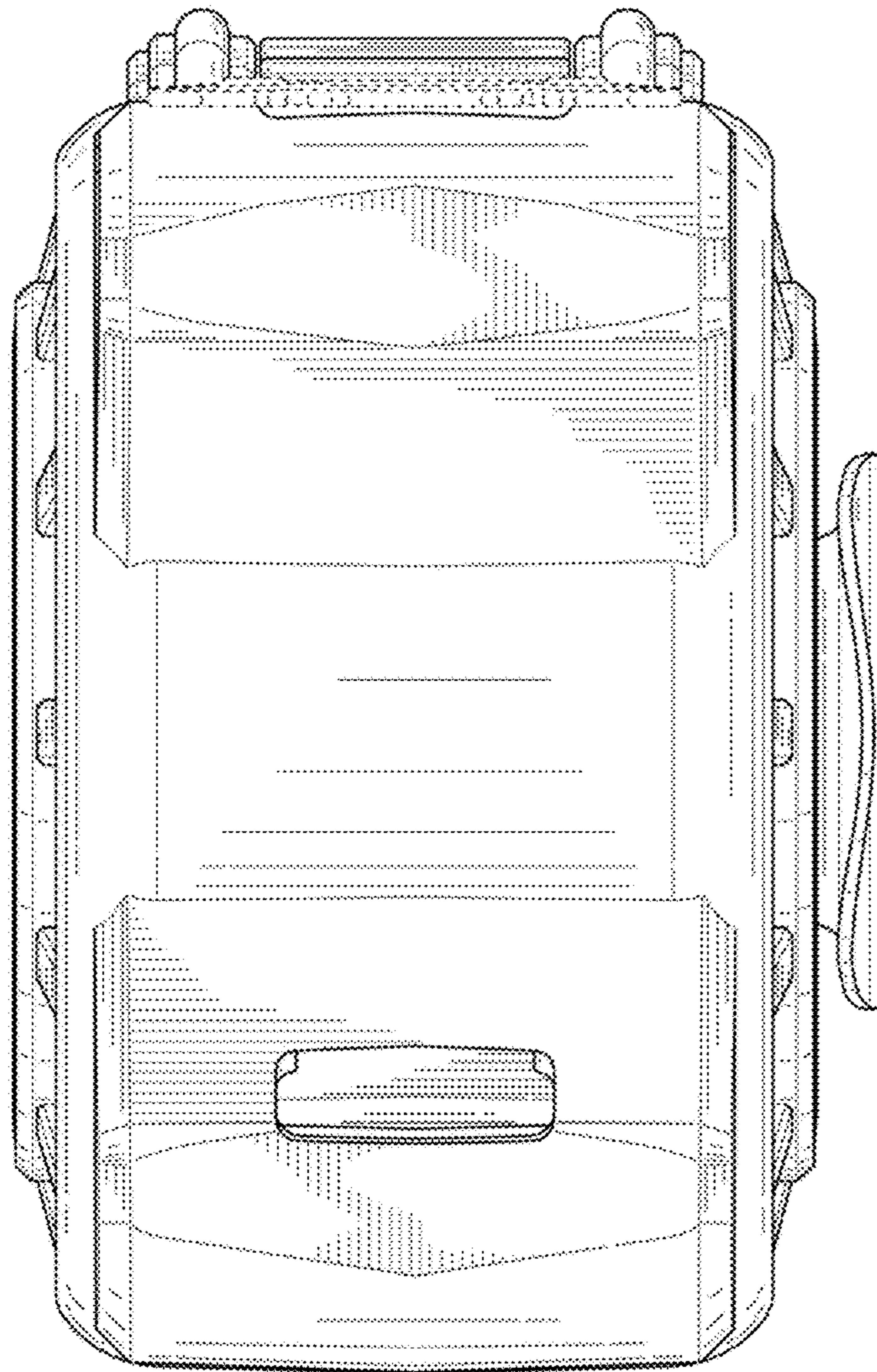


FIG. 7

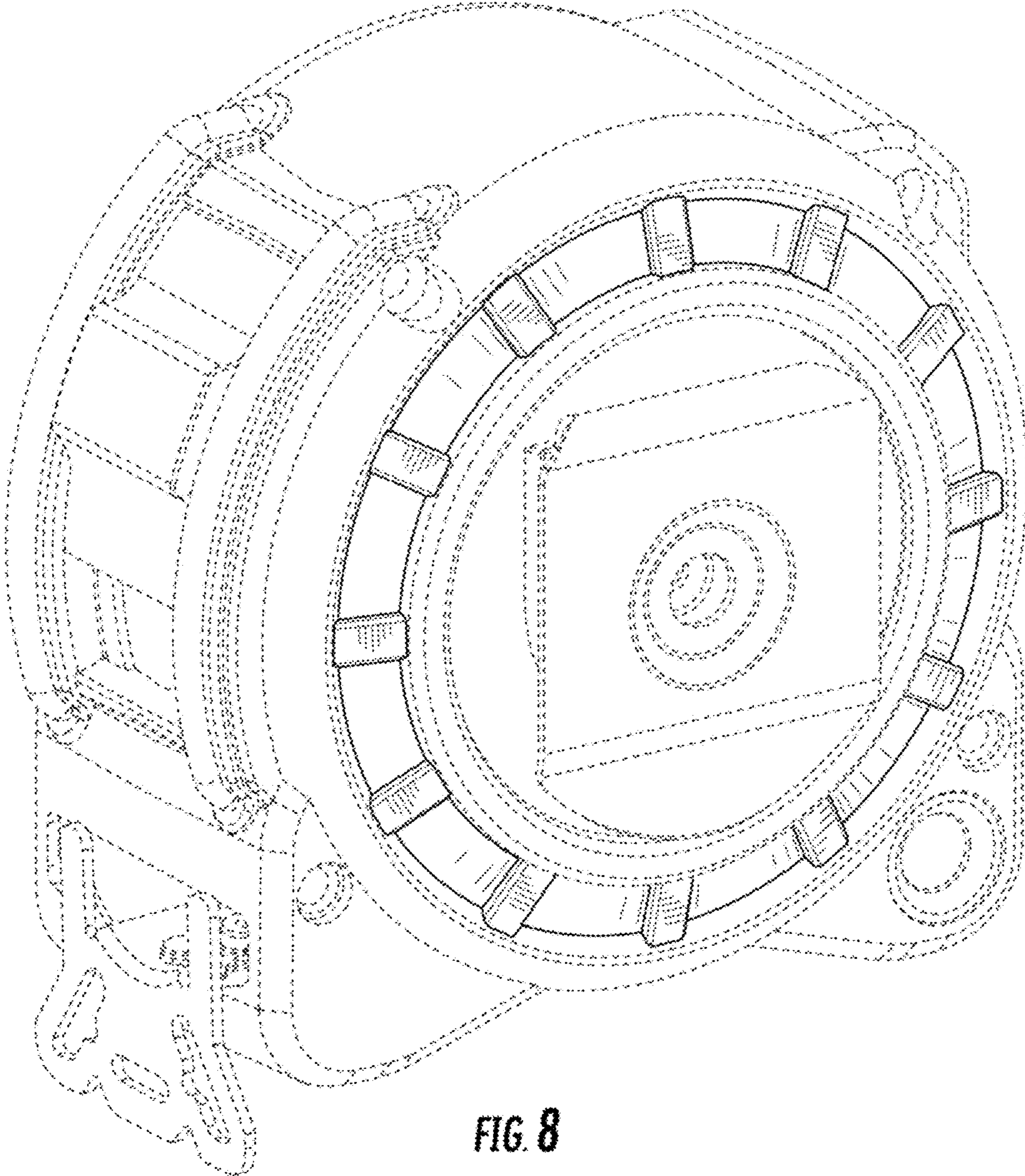


FIG. 8

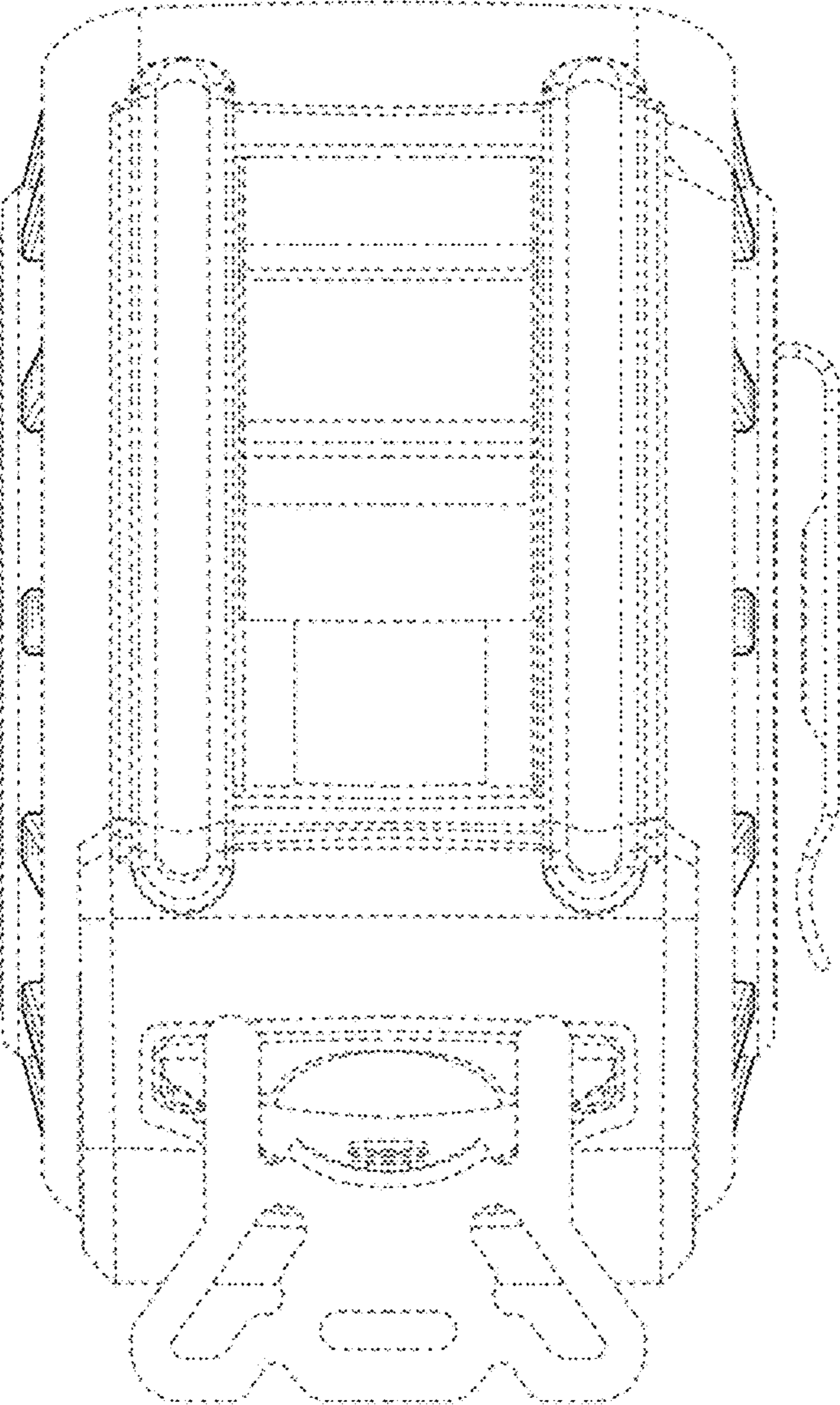


FIG. 9

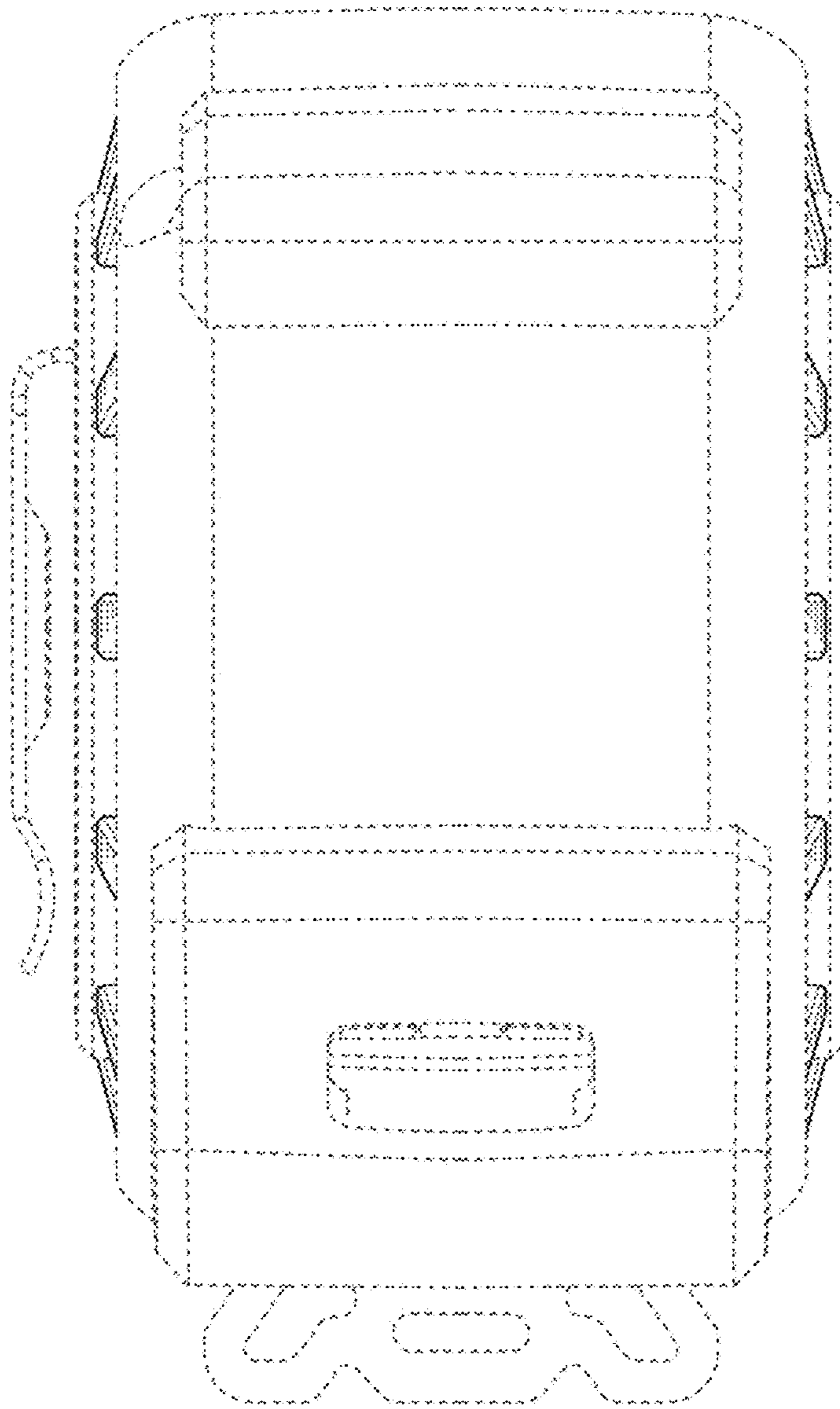


FIG. 10

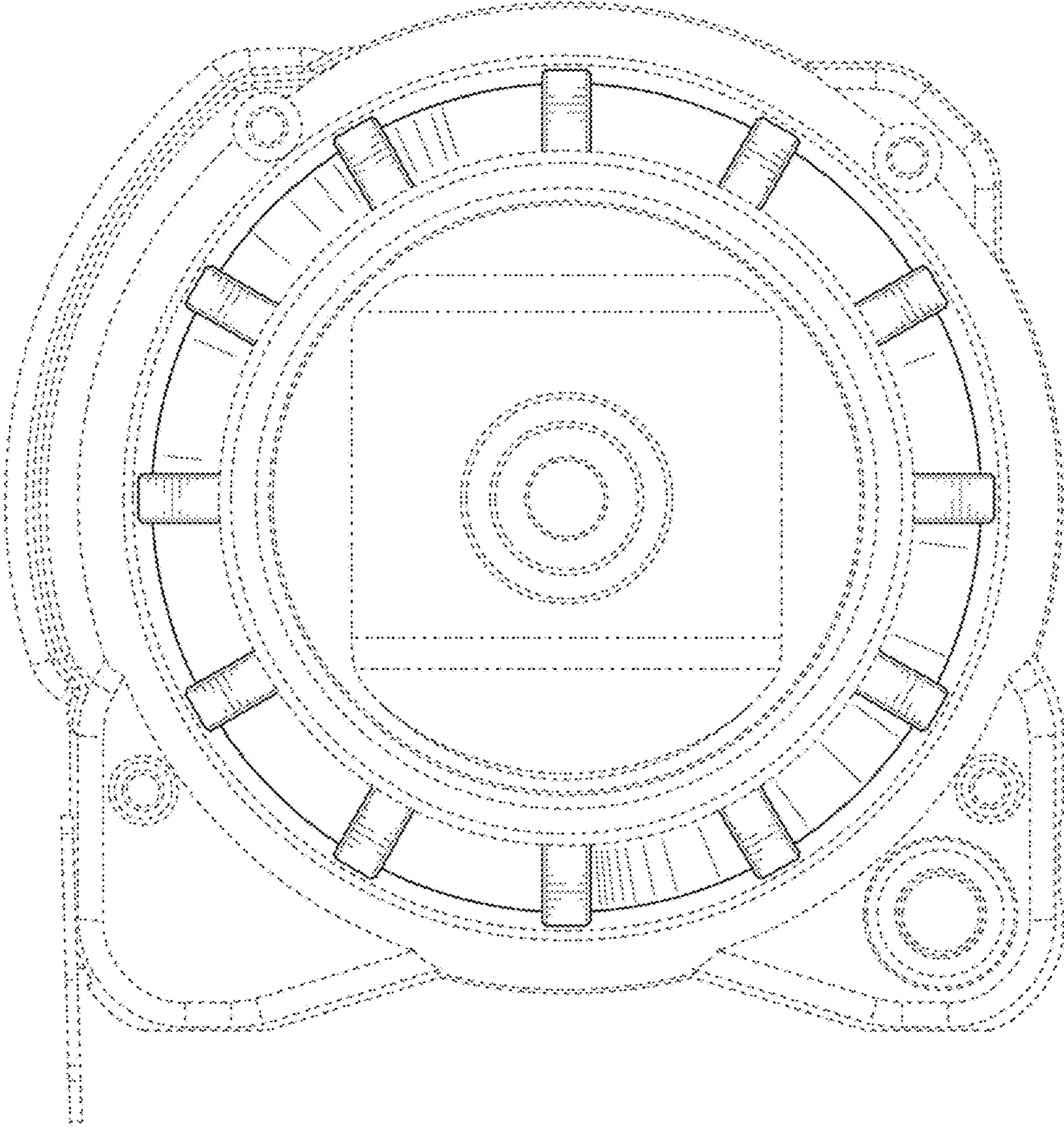


FIG. 11

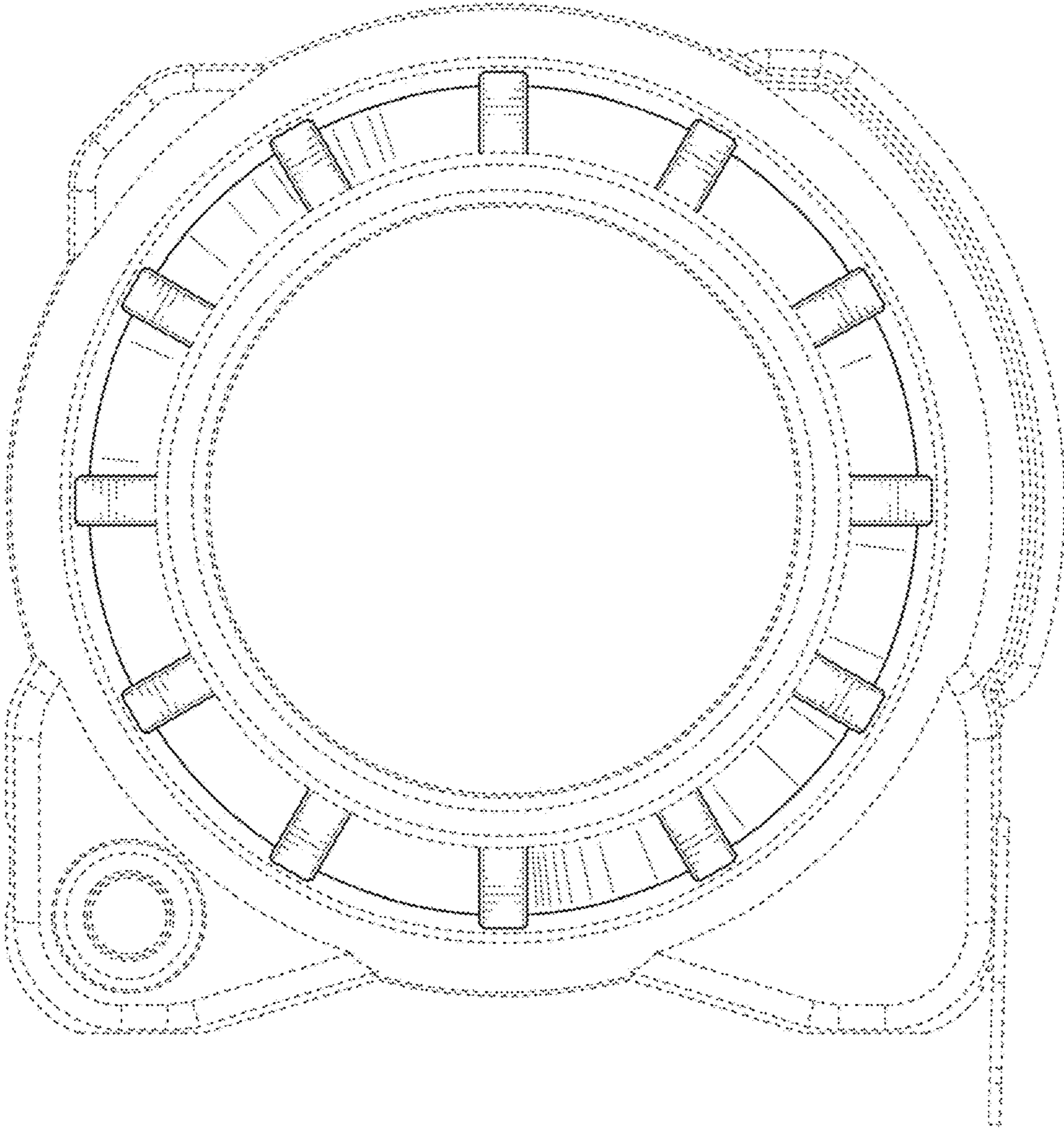


FIG. 12

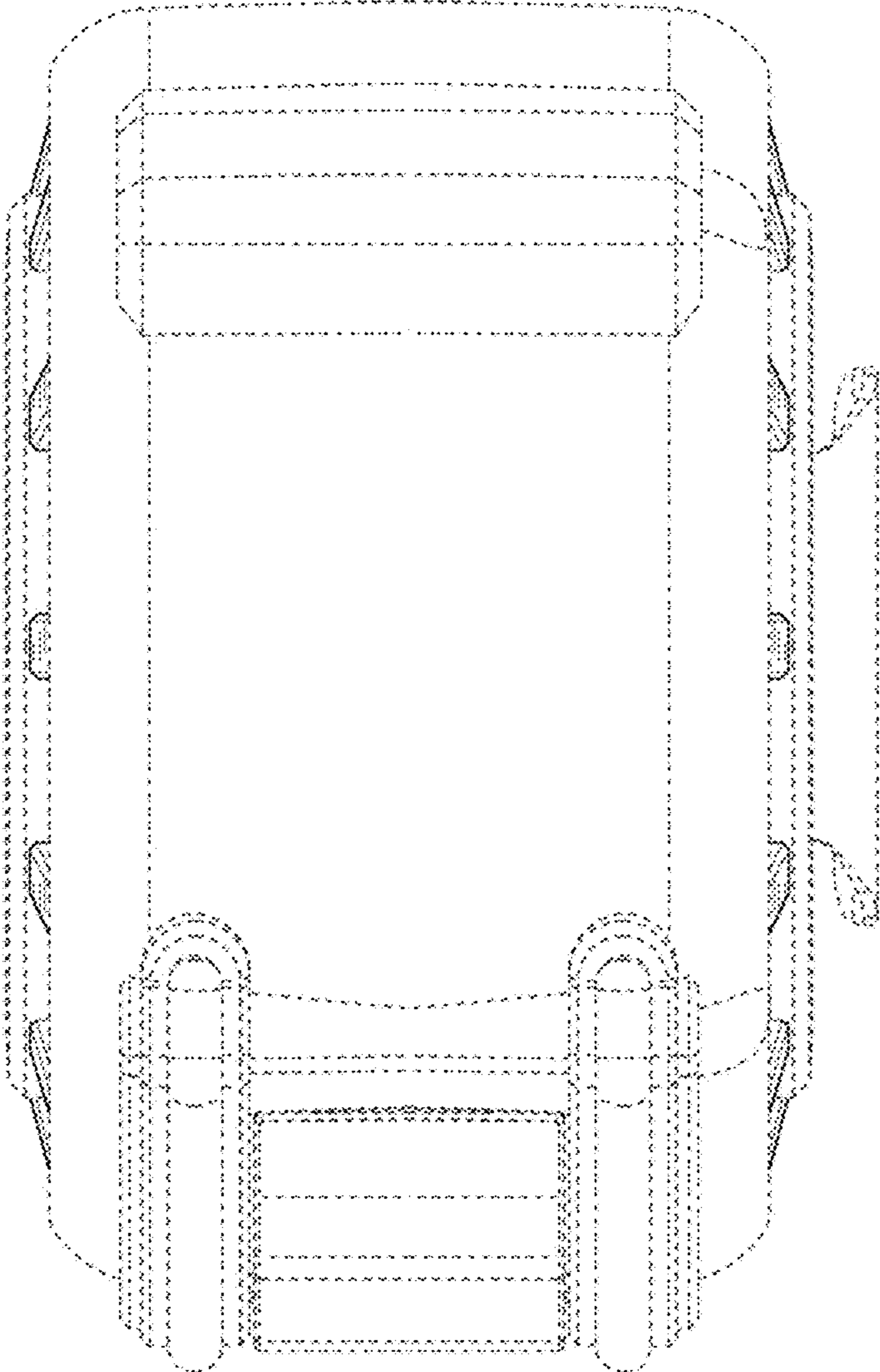


FIG. 13

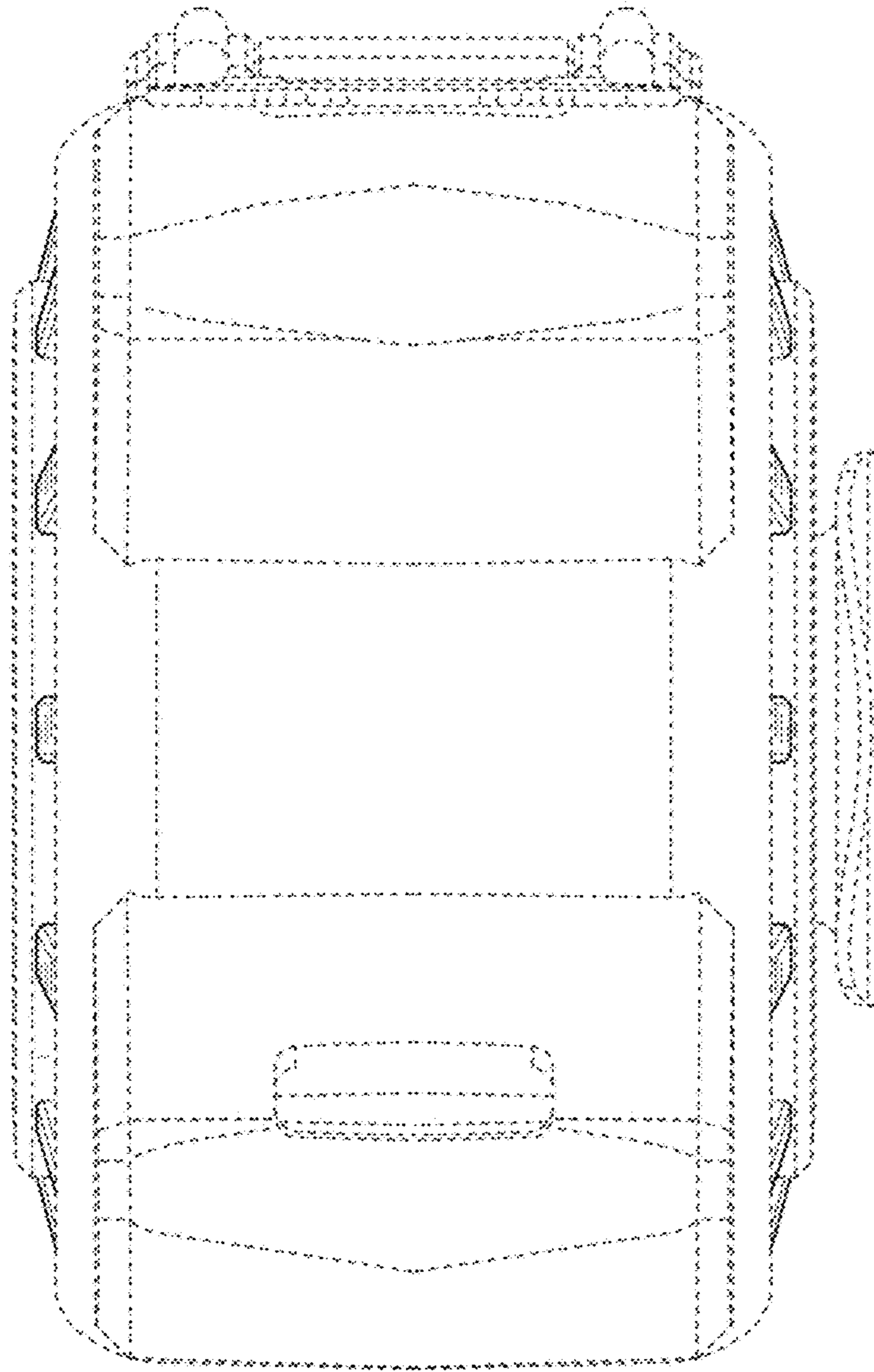


FIG. 14