



US00D867177S

(12) **United States Design Patent** (10) **Patent No.:** **US D867,177 S**
Mörsch (45) **Date of Patent:** **** Nov. 19, 2019**

- (54) **MEASURING INSTRUMENT**
- (71) Applicant: **BLUM-NOVOTEST GMBH**,
Grünkraut (DE)
- (72) Inventor: **Norbert Mörsch**, Wangen (DE)
- (73) Assignee: **BLUM-NOVOTEST GMBH**,
Grünkraut (DE)
- (**) Term: **15 Years**
- (21) Appl. No.: **29/636,272**
- (22) Filed: **Feb. 7, 2018**
- (51) **LOC (12) Cl.** **10-04**
- (52) **U.S. Cl.**
USPC **D10/70**
- (58) **Field of Classification Search**
USPC D10/46, 70
CPC B23Q 17/09; B23Q 17/24; B23Q 1/0009;
B23Q 17/22; B23Q 17/2485; G01B
11/14; G01B 11/24; G01B 11/028
See application file for complete search history.

- (56) **References Cited**
- U.S. PATENT DOCUMENTS
- 5,278,512 A * 1/1994 Goldstein G01R 31/025
324/509
- 9,395,562 B1 * 7/2016 Nguyen G02C 13/005
- FOREIGN PATENT DOCUMENTS
- DE 102008017349 10/2009
- OTHER PUBLICATIONS
- MIDA/MARHOSS Product Brochures—MIDA Laser P/Compact
VTS/TBD/ML75P/ML105P/VTS HC.
Product Brochure—M&H Laser Tool Setters.

* cited by examiner

Primary Examiner — Antoine Duval Davis
(74) Attorney, Agent, or Firm — Tarolli, Sundheim,
Covell & Tummino LLP

(57) **CLAIM**

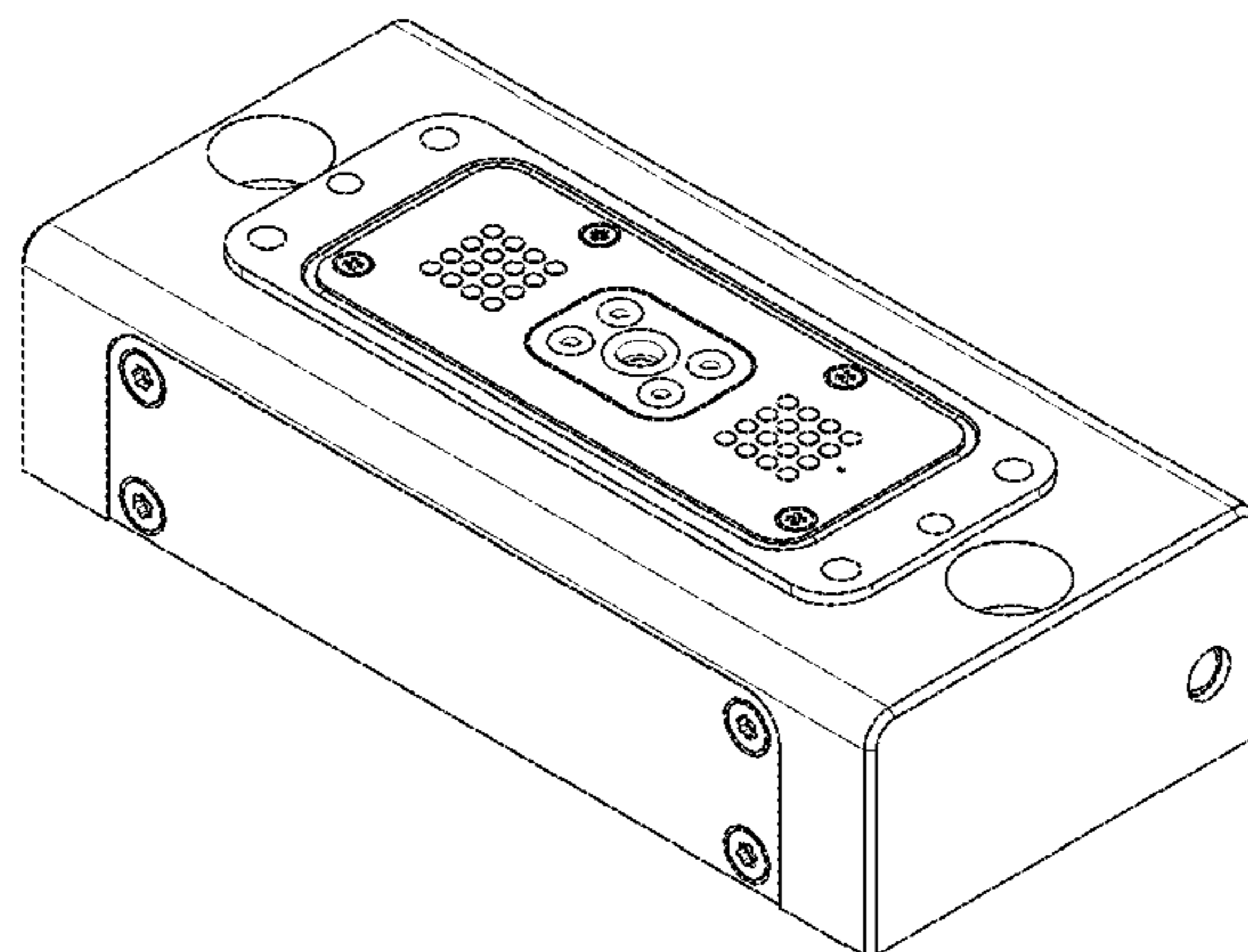
I claim the ornamental design for a measuring instrument, as shown and described.

DESCRIPTION

FIG. 1 is a perspective view of a measuring instrument comprising a new, original and ornamental design;
 FIG. 2 is a front elevational of the measuring instrument shown in FIG. 1;
 FIG. 3 is a rear elevational view of the measuring instrument shown in FIG. 1;
 FIG. 4 is a left side view of the measuring instrument shown in FIG. 1;
 FIG. 5 is a right side view of the measuring instrument shown in FIG. 1;
 FIG. 6 is a top plan view of the measuring instrument shown in FIG. 1;
 FIG. 7 is a bottom view of the measuring instrument shown in FIG. 1;
 FIG. 8 is a perspective view of another embodiment of a measuring instrument comprising a new, original and ornamental design;
 FIG. 9 is a front elevational of the measuring instrument shown in FIG. 8;
 FIG. 10 is a rear elevational view of the measuring instrument shown in FIG. 8;
 FIG. 11 is a left side view of the measuring instrument shown in FIG. 8;
 FIG. 12 is a right side view of the measuring instrument shown in FIG. 8;
 FIG. 13 is a top plan view of the measuring instrument shown in FIG. 8; and,
 FIG. 14 is a bottom view of the measuring instrument shown in FIG. 8.

Broken lines in the Figures, i.e., FIGS. 8-14, are for illustrative purposes only and do not form part of the invention.

1 Claim, 14 Drawing Sheets



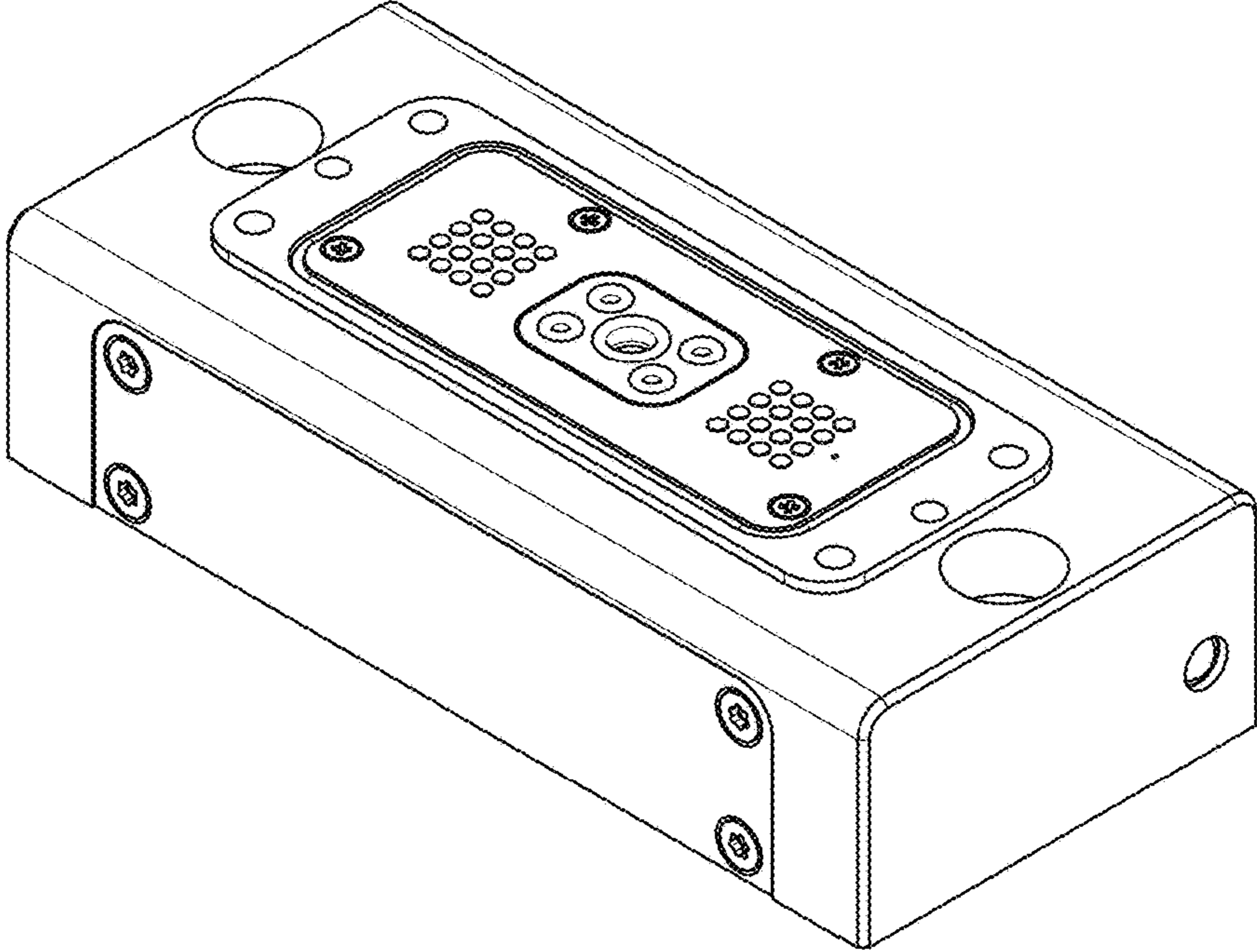


Fig. 1

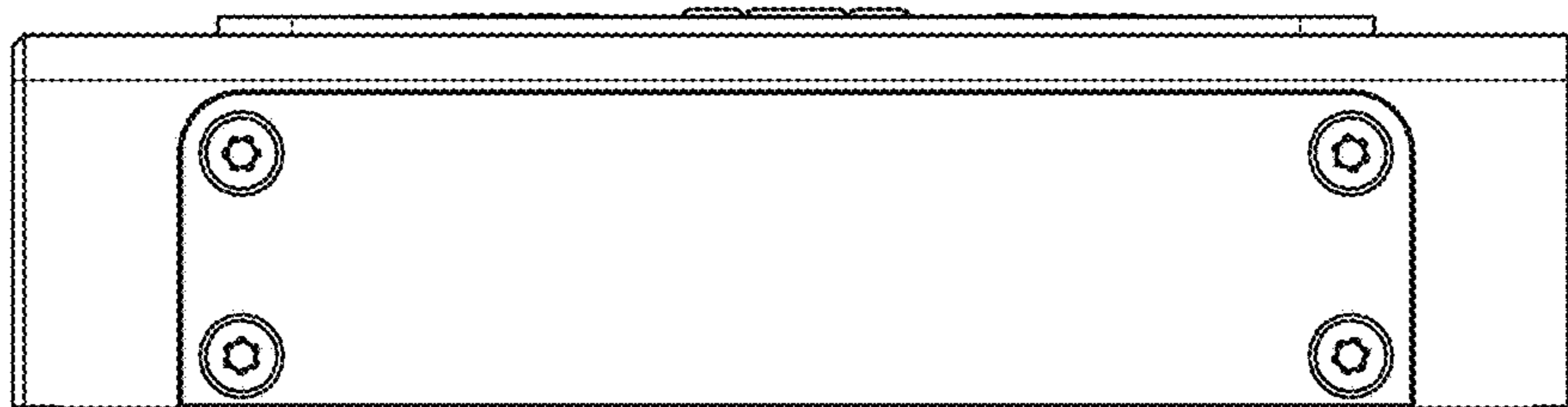


Fig. 2

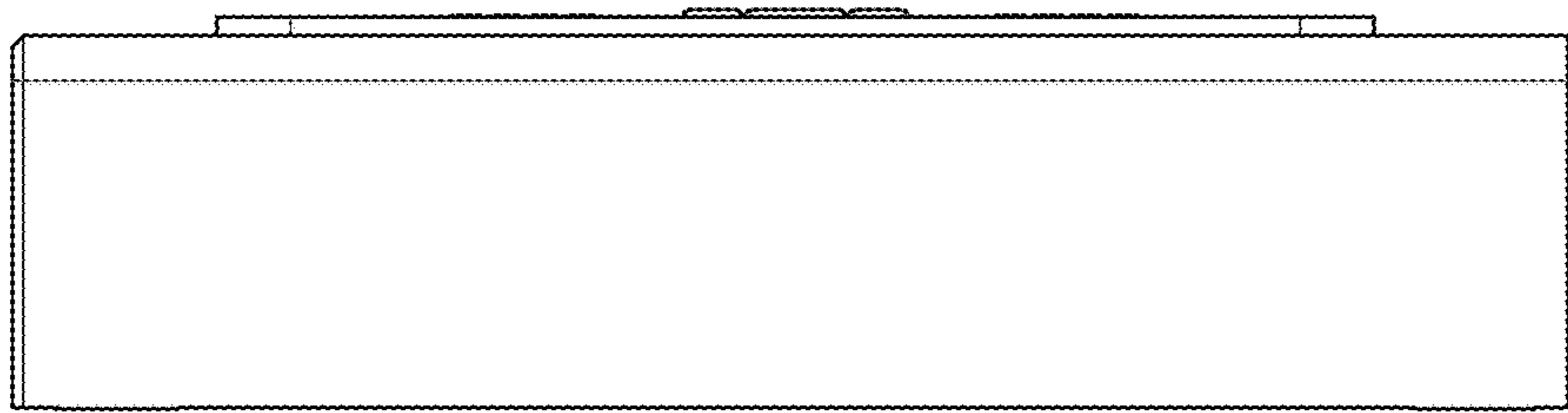


Fig. 3



Fig. 4

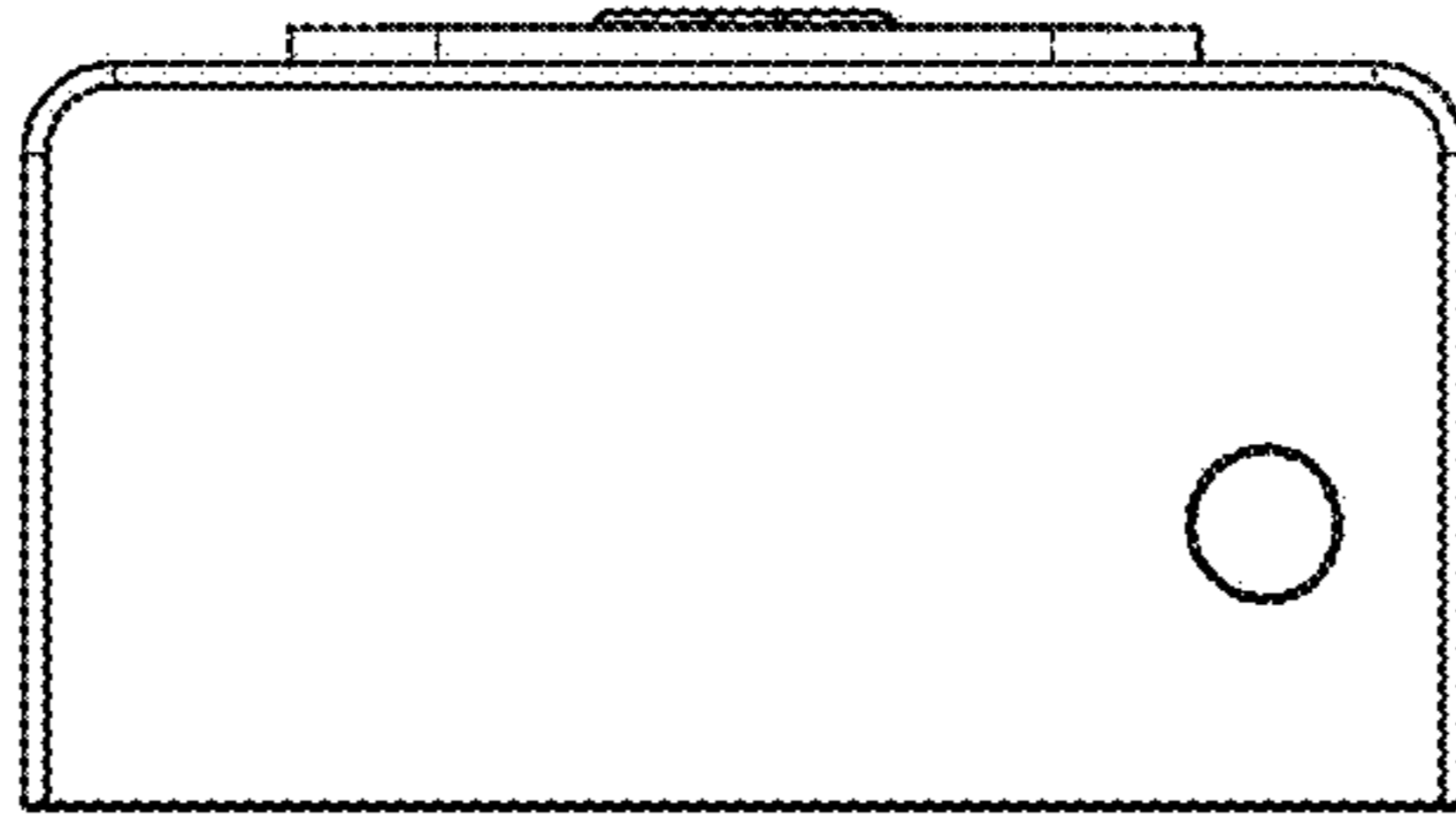


Fig. 5

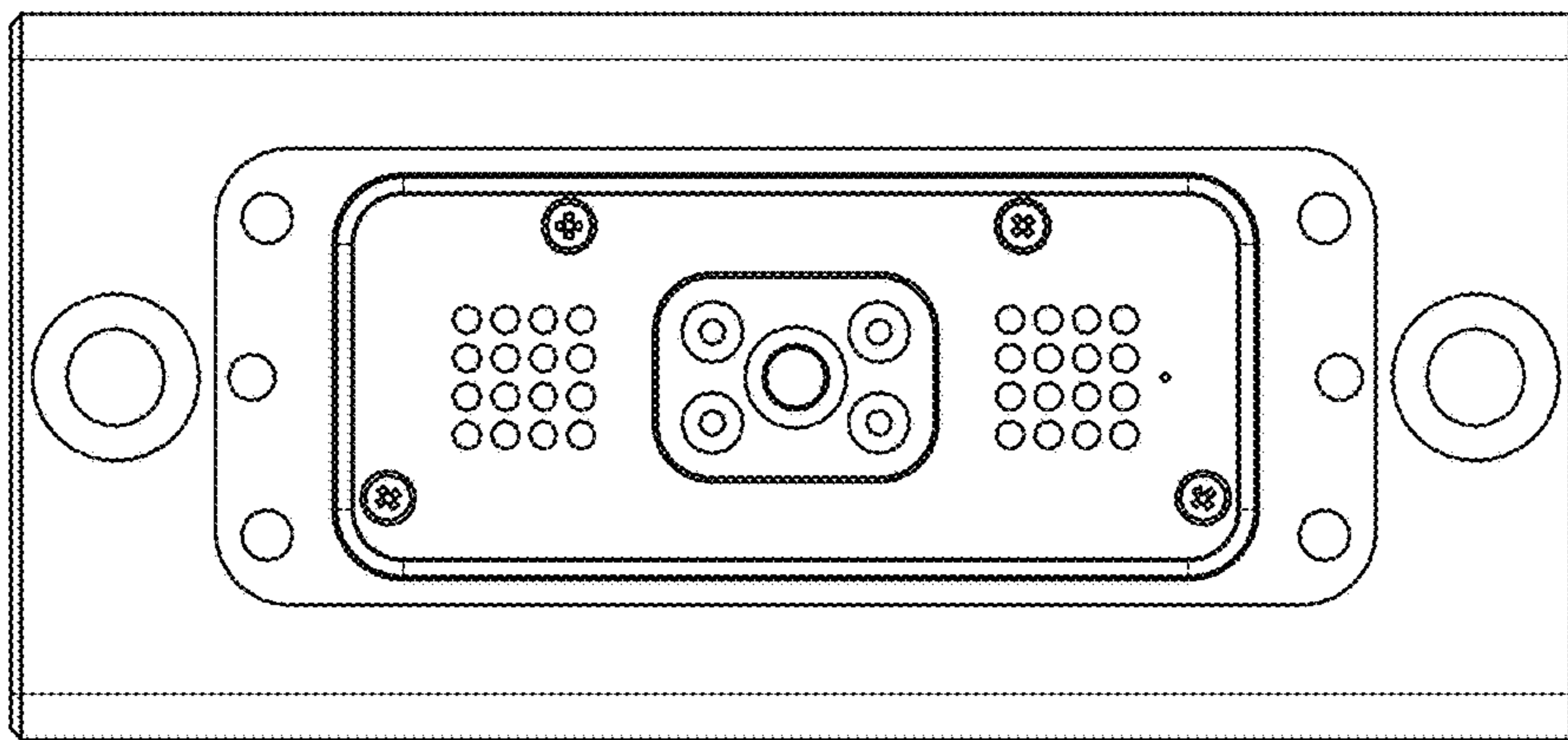


Fig. 6



FIG. 7

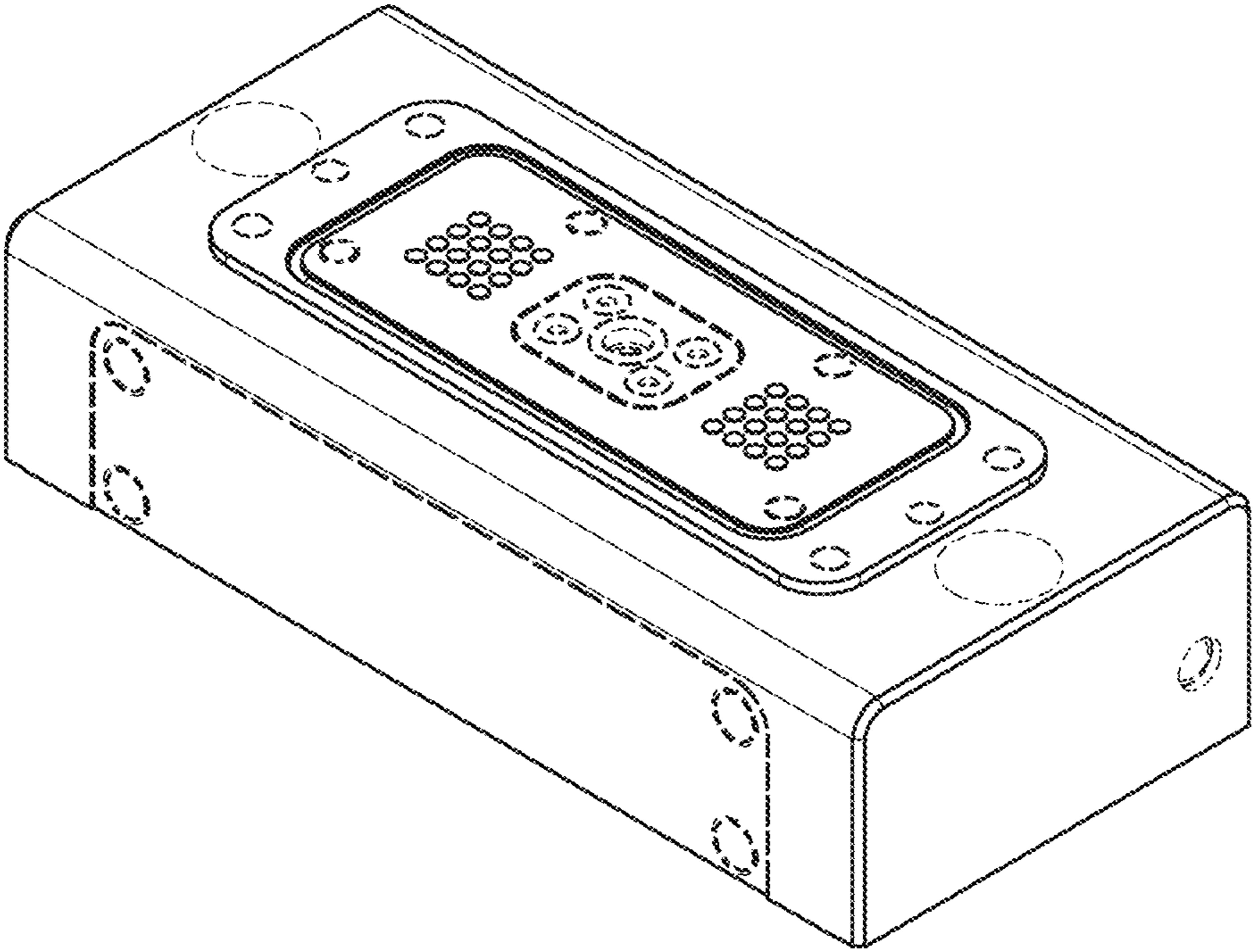


FIG 8

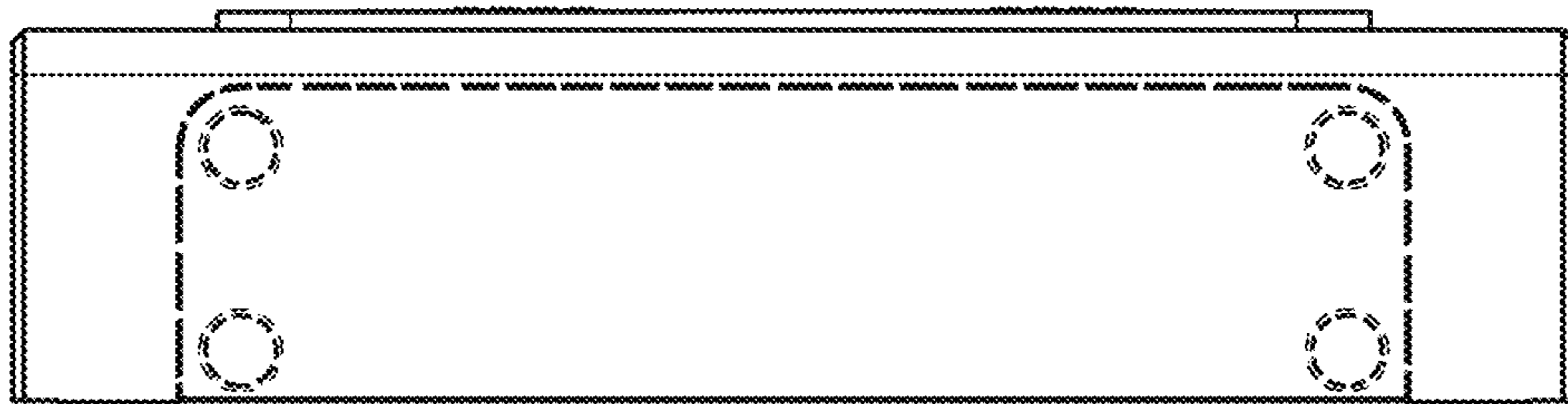


FIG 9

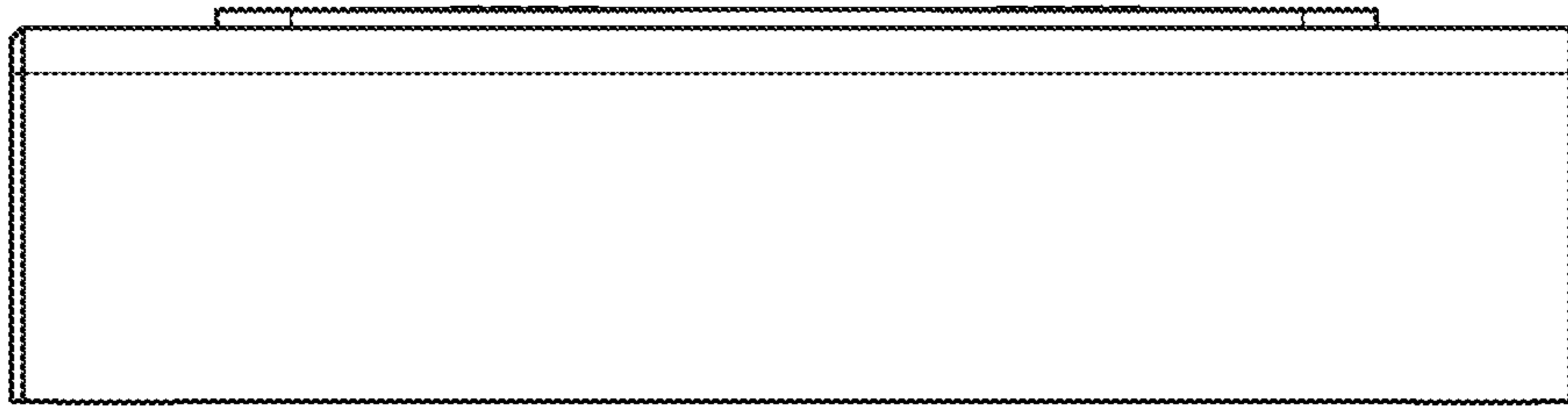


FIG 10

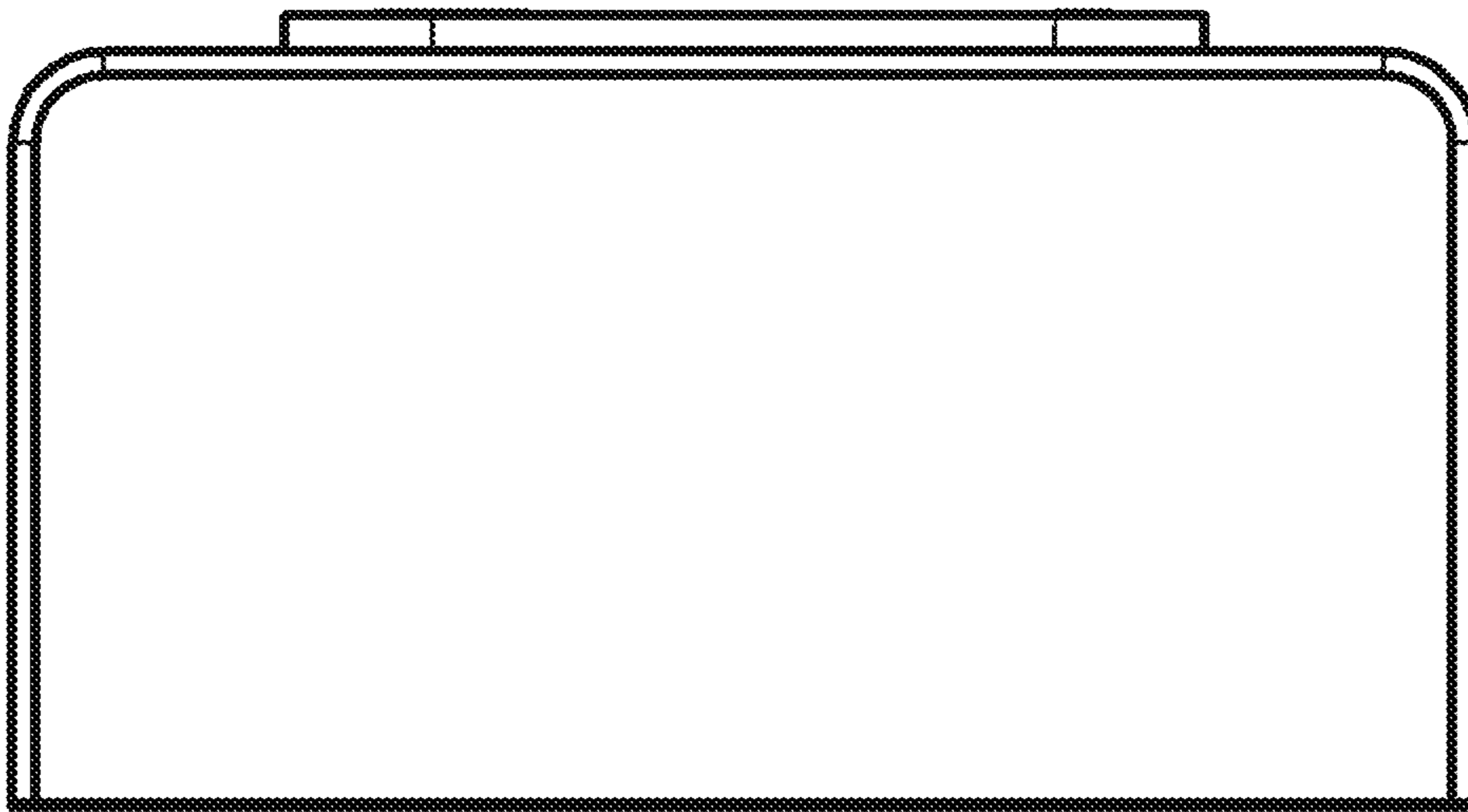


FIG 11

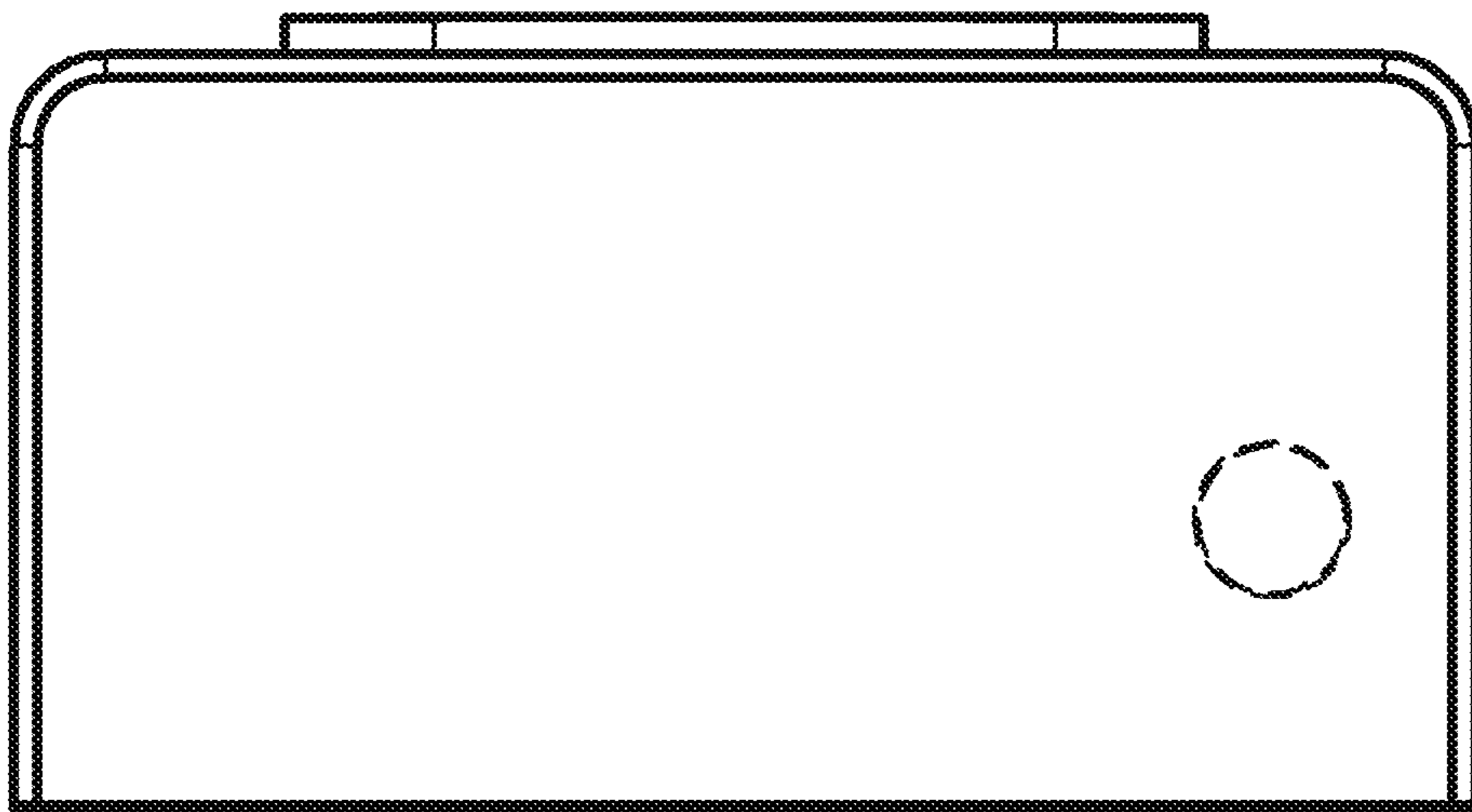


FIG 12

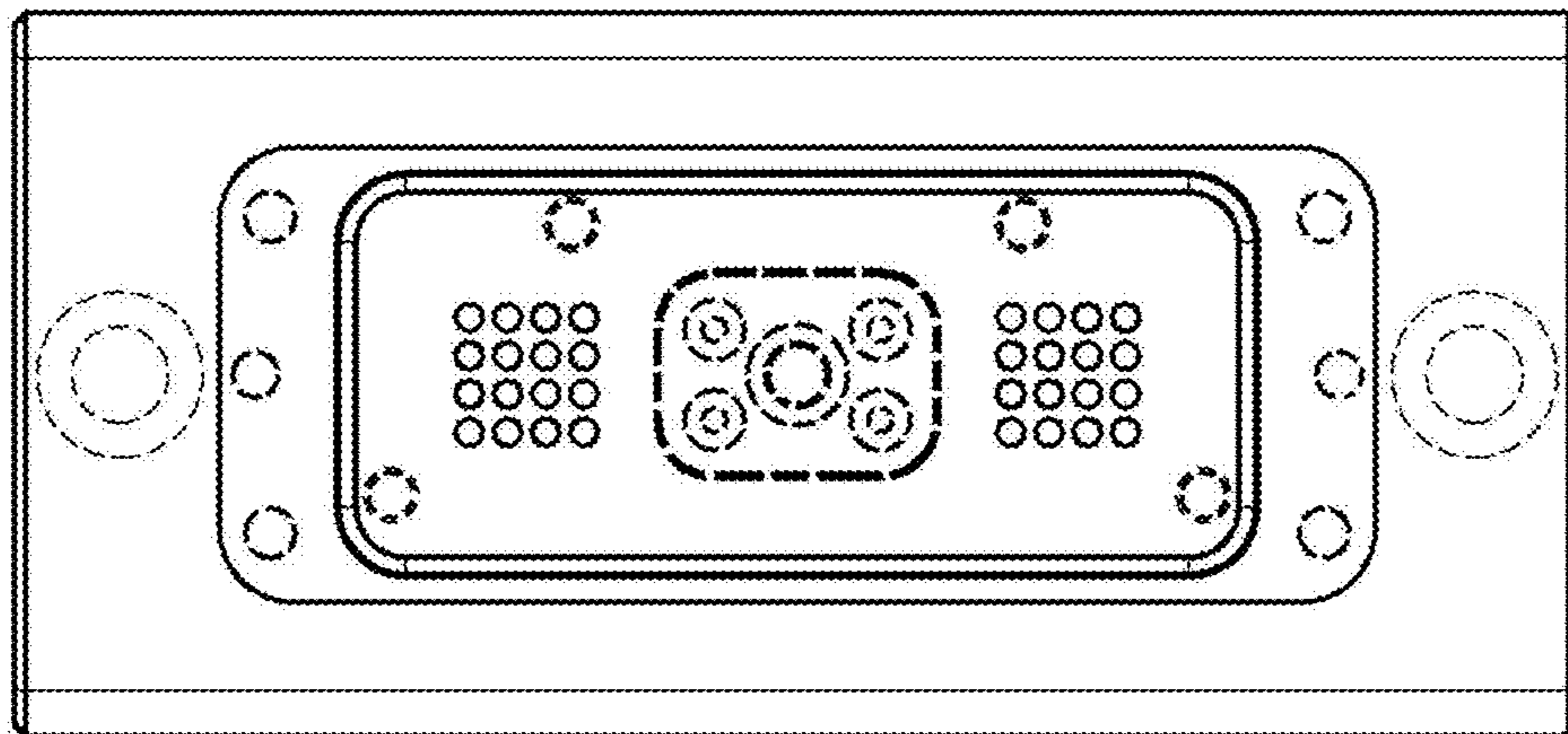


FIG 13

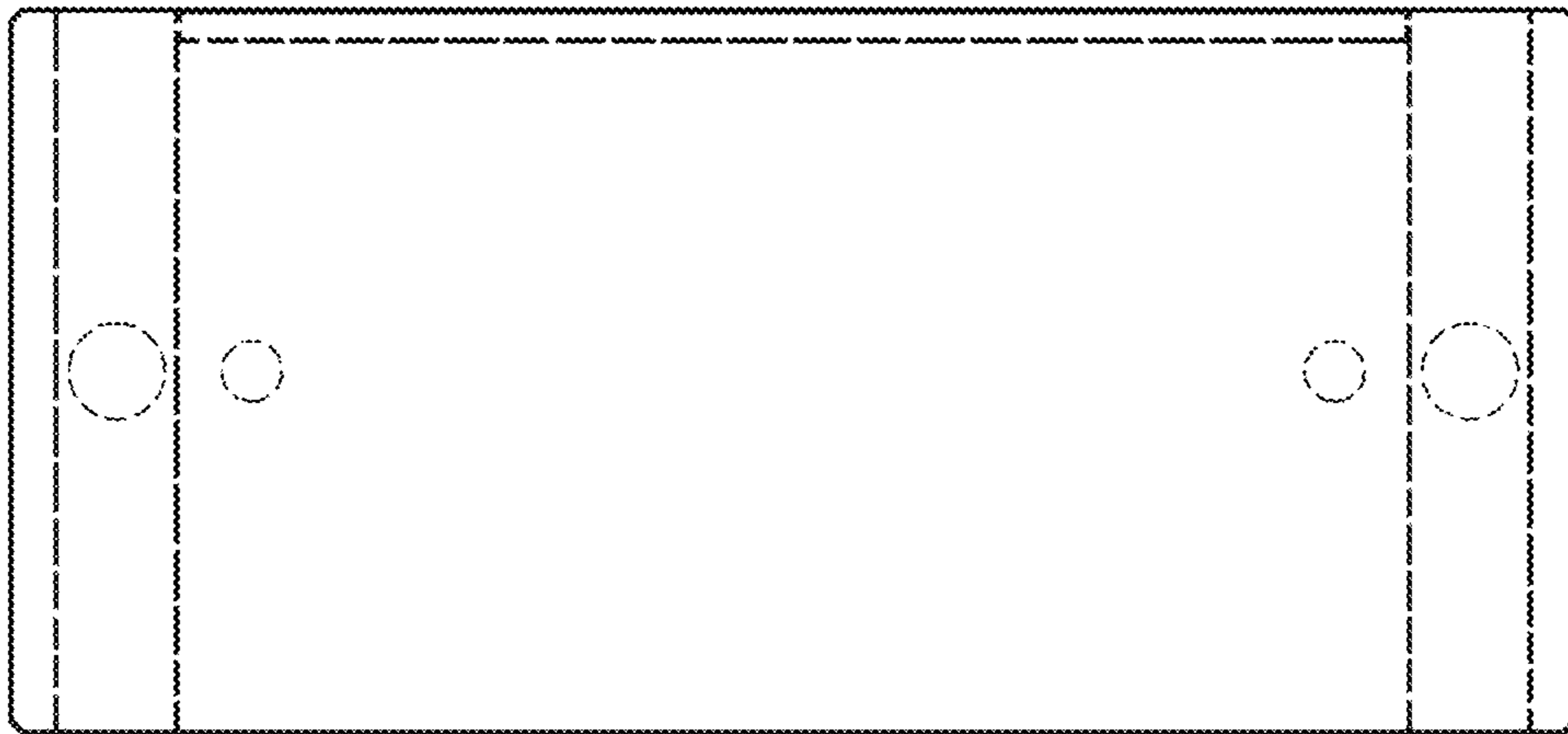


FIG 14

UNITED STATES PATENT AND TRADEMARK OFFICE
CERTIFICATE OF CORRECTION

PATENT NO. : D867,177 S
APPLICATION NO. : 29/636272
DATED : November 19, 2019
INVENTOR(S) : Norbert Mörsch

Page 1 of 1

It is certified that error appears in the above-identified patent and that said Letters Patent is hereby corrected as shown below:

On the Title Page

Insert Item (30): Foreign Application Priority Data: --EM 004691996 filed on Feb. 2, 2018--

Signed and Sealed this
Twenty-eighth Day of September, 2021



Drew Hirshfeld
*Performing the Functions and Duties of the
Under Secretary of Commerce for Intellectual Property and
Director of the United States Patent and Trademark Office*