



US00D867176S

(12) **United States Design Patent** (10) **Patent No.:** **US D867,176 S**
Olivieri (45) **Date of Patent:** **** Nov. 19, 2019**

(54) **HOUSING FOR A NAVIGATION DEVICE**

(71) Applicant: **Deere & Company**, Moline, IL (US)

(72) Inventor: **Pablo G. Olivieri**, Long Beach, CA (US)

(73) Assignee: **DEERE & COMPANY**, Moline, IL (US)

(**) Term: **15 Years**

(21) Appl. No.: **29/654,686**

(22) Filed: **Jun. 26, 2018**

(51) **LOC (12) Cl.** **10-04**

(52) **U.S. Cl.**
USPC **D10/65**

(58) **Field of Classification Search**
USPC D10/65, 71
CPC G08G 1/096883; G08G 1/096872; G08G 1/096775; G08G 1/0969; G01C 21/3688; G01C 21/30; G01C 21/3664; G01C 21/26; G01C 21/16; G01C 21/00–21/3697; G01C 22/00–22/025; G01C 23/00–23/005; G01C 17/00; G01V 8/20; G01J 5/02; G01J 5/023; G01J 5/24; G01J 5/10; G01J 5/20; G01J 5/0235; G01J 5/08; G01J 5/0853; G01J 5/33; G01J 5/34; G01J 5/0022; G01J 5/22; G01J 5/0295; G01J 5/12; G01J 2005/068; G01J 2005/345; G01N 21/3504; G01N 21/35; G01S 3/043; G01S 15/04; G01S 5/025; G08B 13/1645; G08B 13/193; G08B 17/12; G08B 13/00–13/26; G08B 29/00–29/28; Y10S 250/01; H01L 37/00; H01L 37/02; H04N 5/33; G01P 3/50; G01P 1/00–1/26; G01P 15/00–15/18; G06F 3/0482; G06F 2203/04801; G06F 19/3481; G06F 3/00–3/027; F21S 8/033; F21V 17/02; F21V 23/0442; F21V 21/30; F21W 2131/10

See application file for complete search history.

(56) **References Cited**

U.S. PATENT DOCUMENTS

D728,391 S	5/2015	Olivieri et al.	
D731,905 S	6/2015	Olivieri et al.	
D742,766 S	11/2015	Olivieri et al.	
9,658,616 B2 *	5/2017	Lee	G05D 1/0016
D788,610 S *	6/2017	Venth	D10/65
D797,584 S *	9/2017	Venth	D10/65
D823,703 S *	7/2018	Pan	D10/65

* cited by examiner

Primary Examiner — Antoine Duval Davis

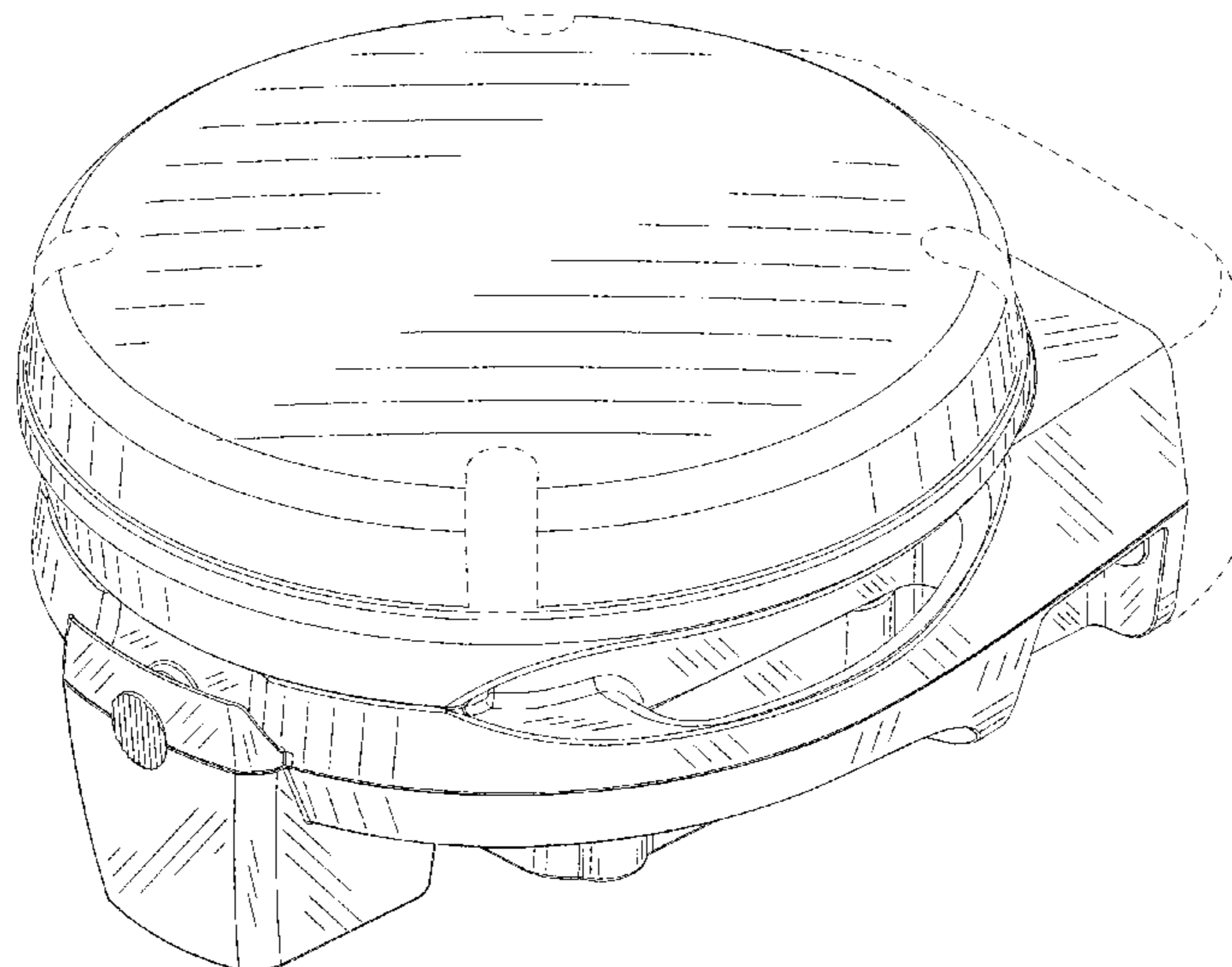
(57) **CLAIM**

The ornamental design for a housing for a navigation device, as shown and described.

DESCRIPTION

FIG. 1 is a perspective front view of a housing for a navigation device of the present invention. FIG. 2 is a left-side view of the housing for a navigation device of FIG. 1. FIG. 3 is a right-side view of the housing for a navigation device of FIG. 1. FIG. 4 is a front view of the housing for a navigation device of FIG. 1. FIG. 5 is a rear view of the housing for a navigation device of FIG. 1. FIG. 6 is a top view of the housing for a navigation device of FIG. 1; and, FIG. 7 is a bottom view of the housing for a navigation device of FIG. 1. The ornamental design which is claimed is shown in solid lines in the drawings. The portions of the design shown in broken lines or dashed lines are included for the purpose of illustrating environment and form no part of the claimed design.

1 Claim, 7 Drawing Sheets



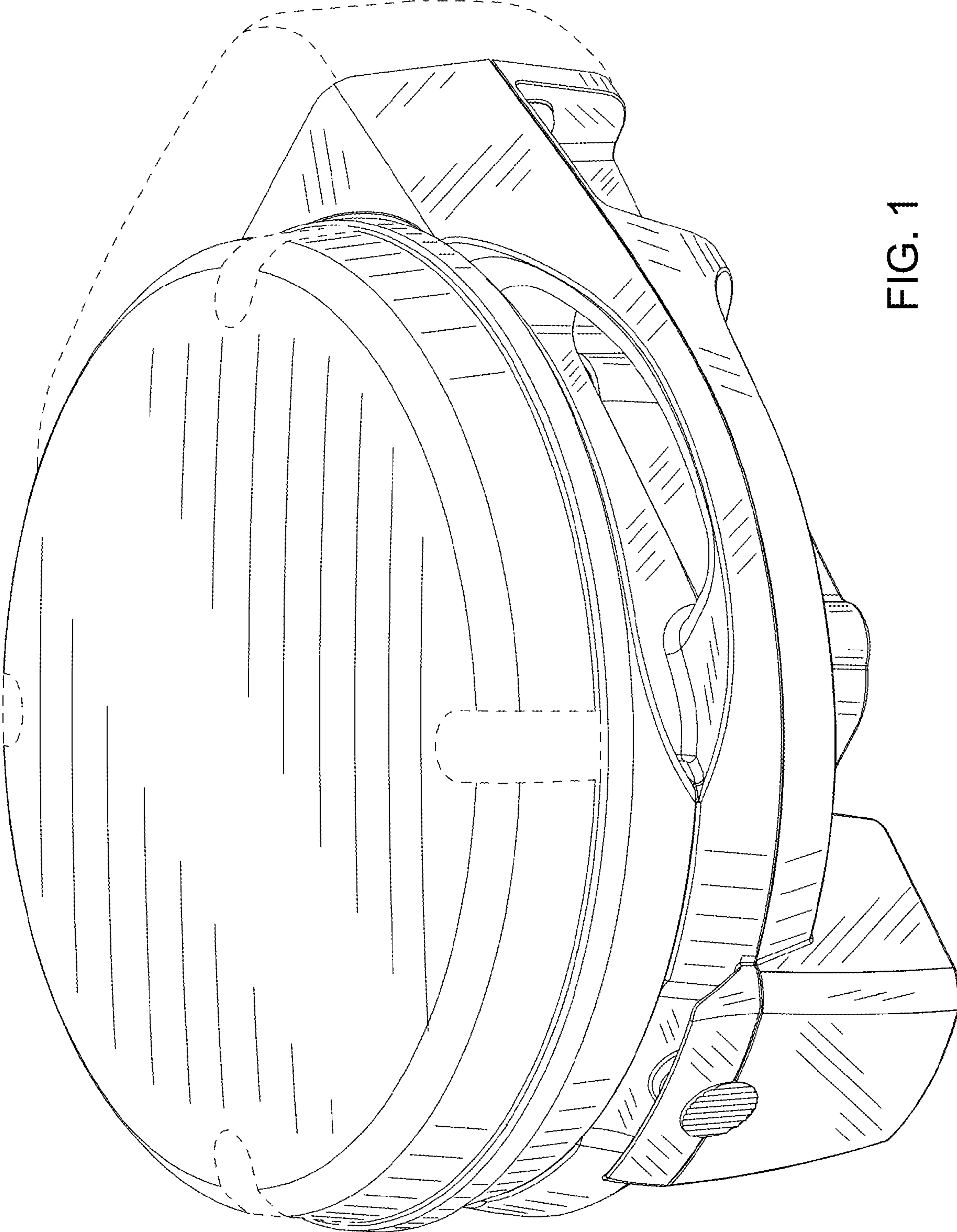


FIG. 1

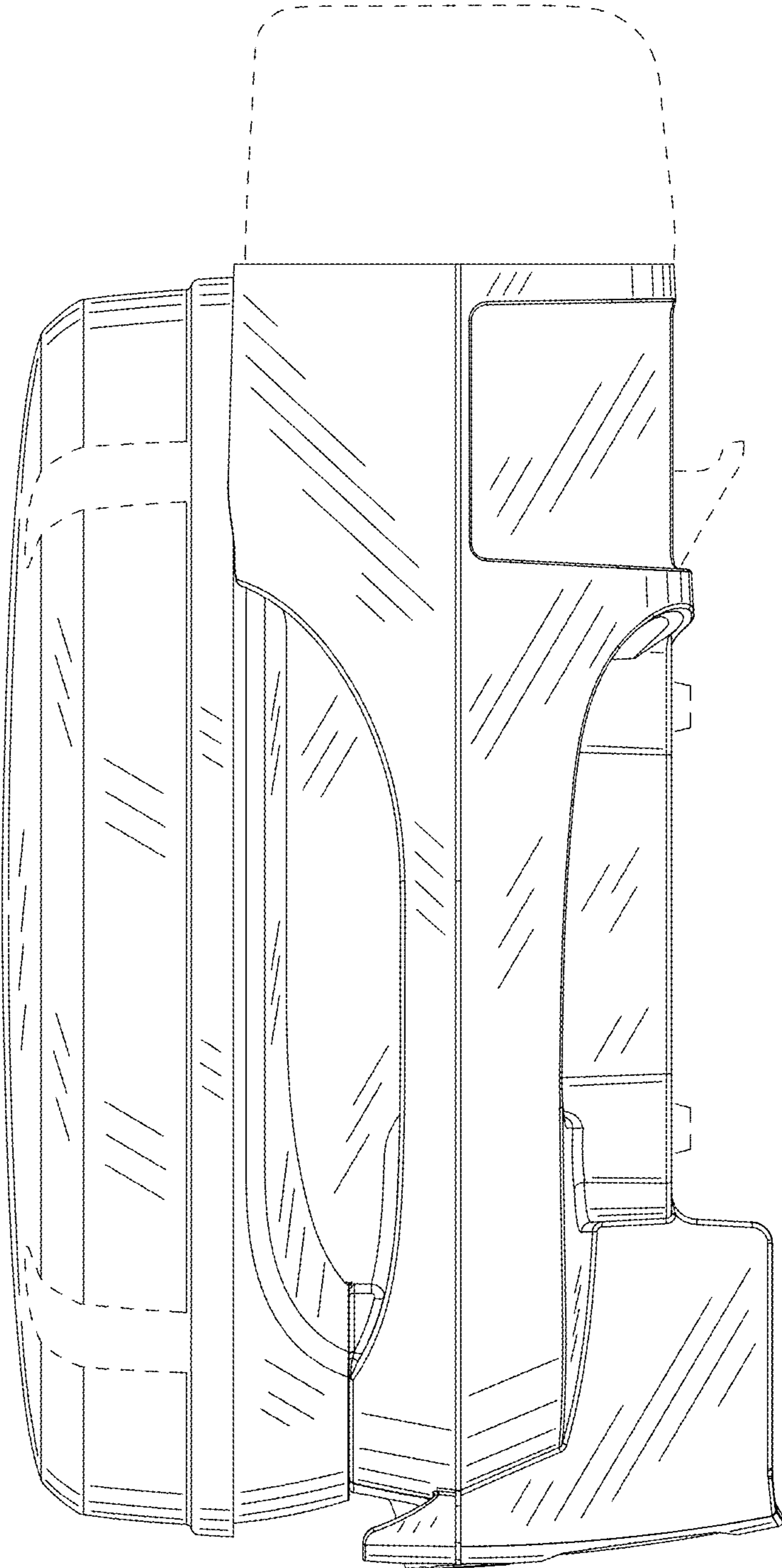


FIG. 2

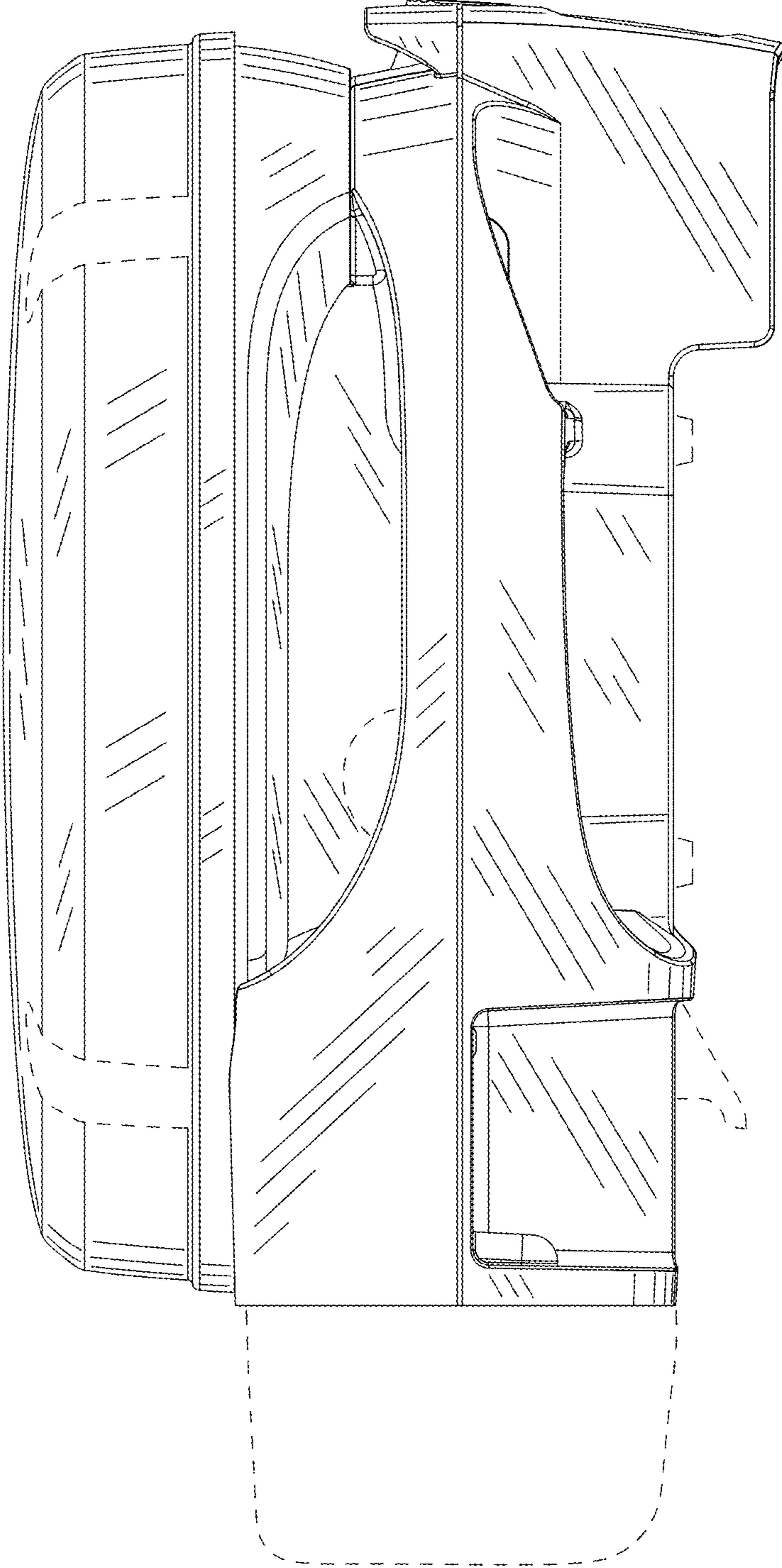


FIG. 3

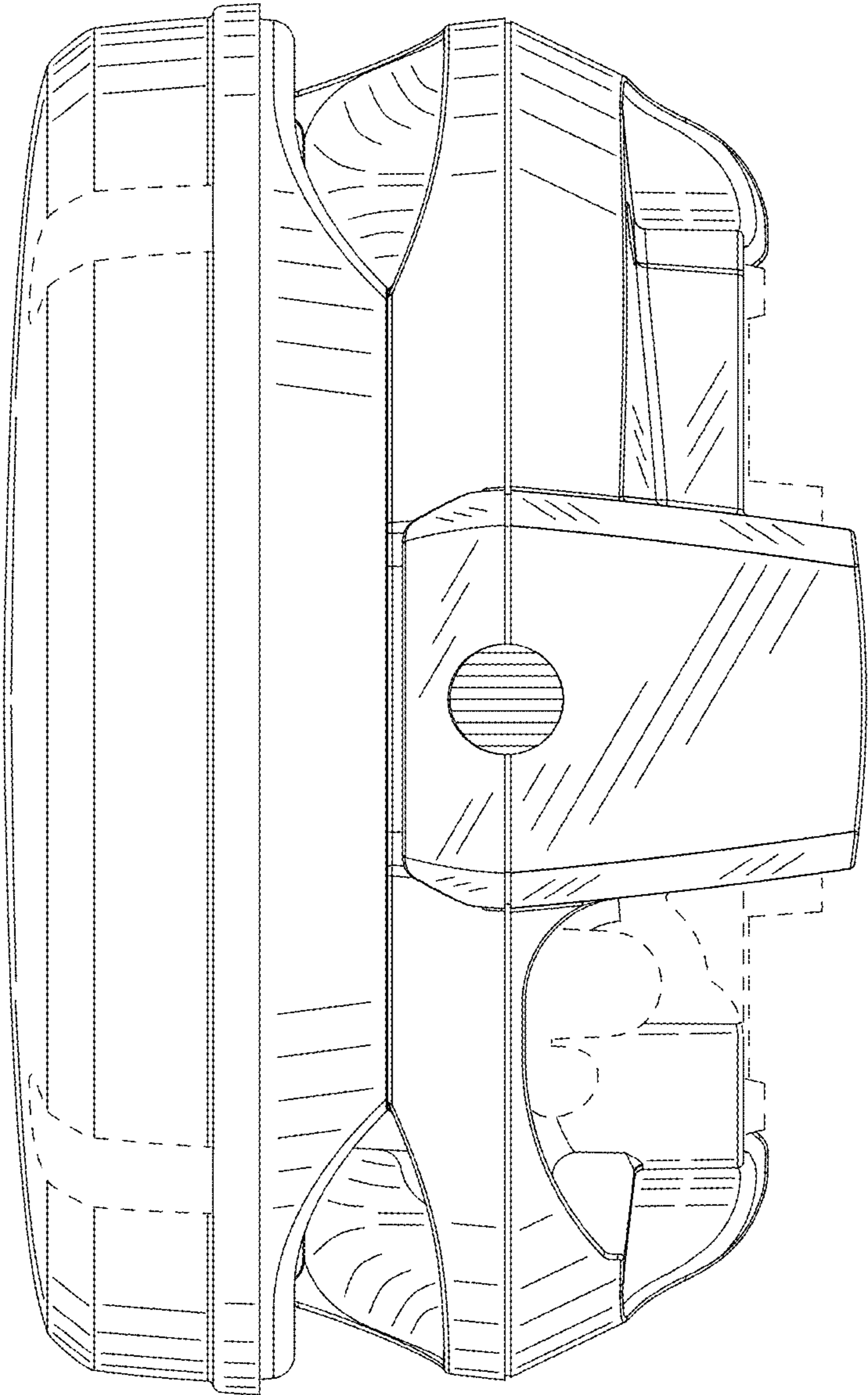


FIG. 4

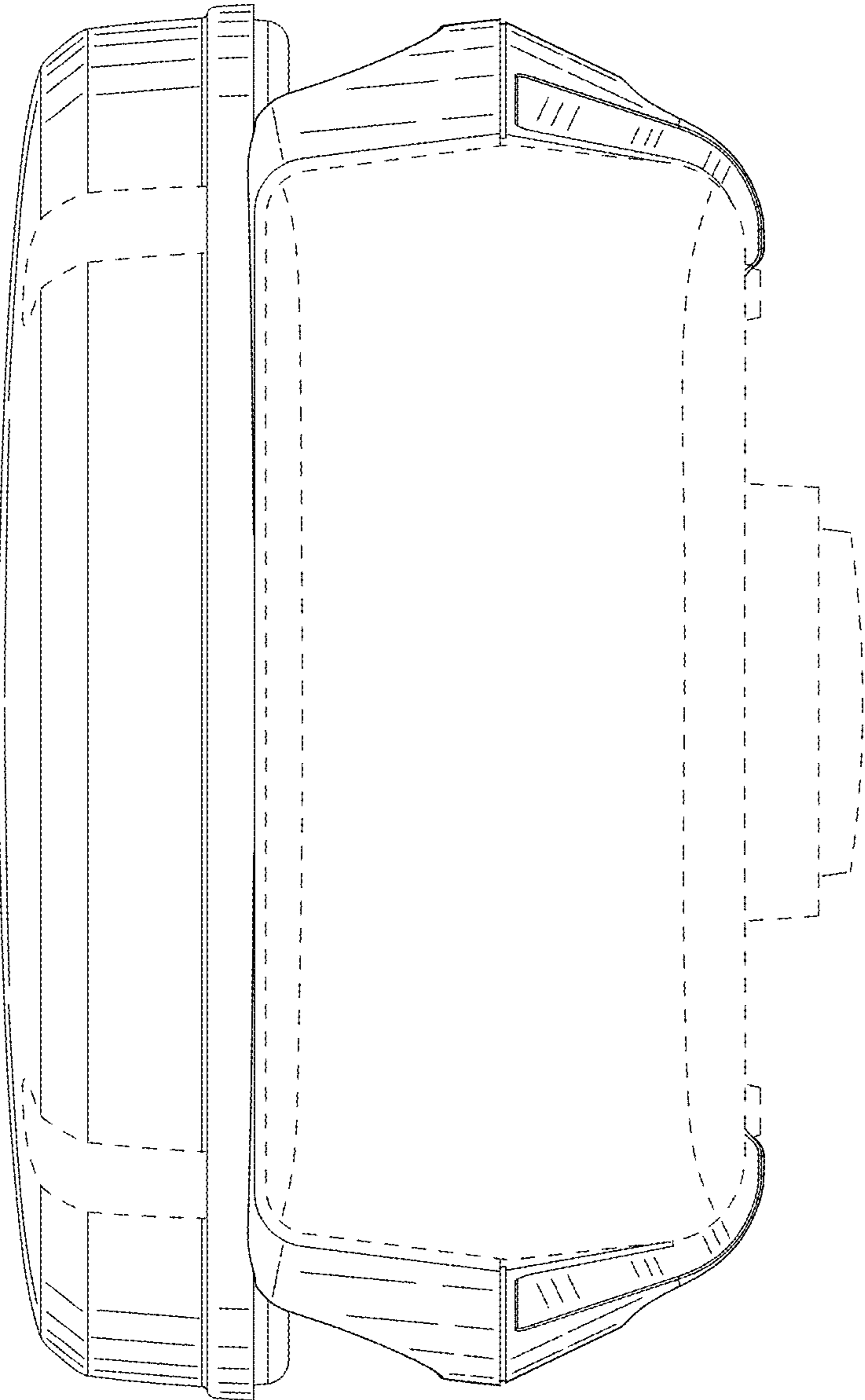


FIG. 5

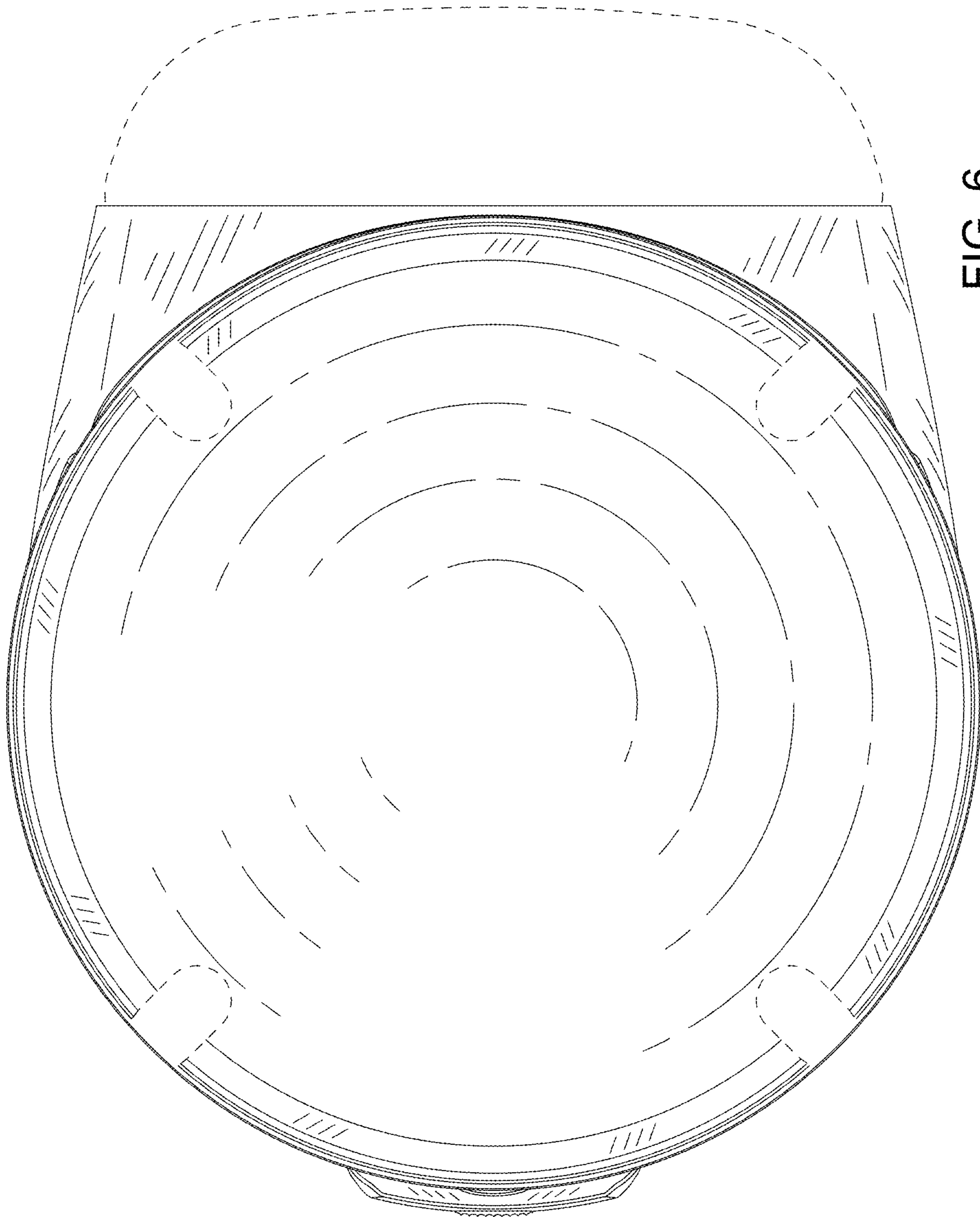


FIG. 6

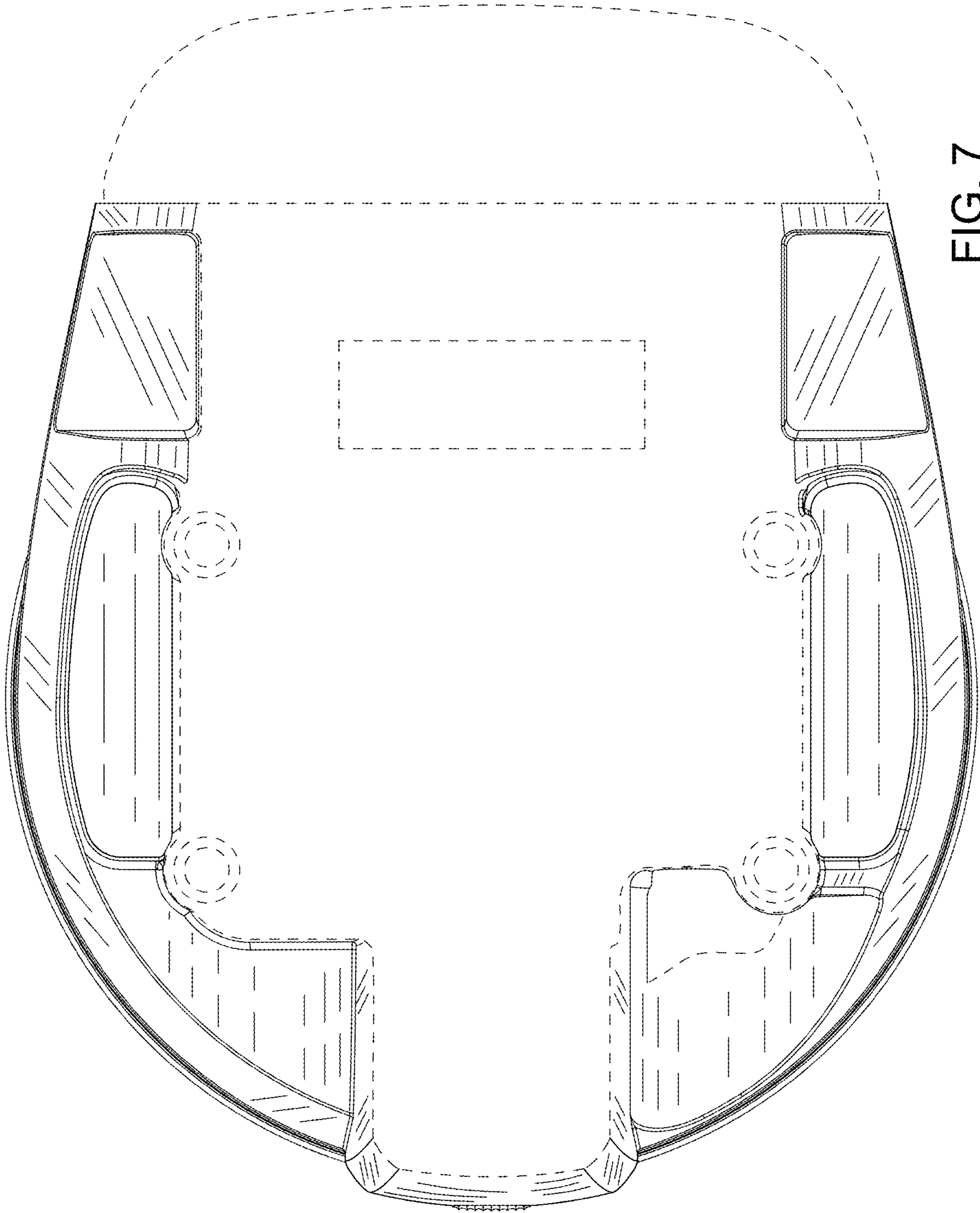


FIG. 7