

US00D867173S

(12) **United States Design Patent**
Lavrovsky et al.

(10) **Patent No.:** **US D867,173 S**

(45) **Date of Patent:** **** Nov. 19, 2019**

(54) **MOUNTING PLATE FOR AIR QUALITY MONITORING DEVICE**

10,078,346 B2 * 9/2018 Lay G06F 1/1616
10,205,310 B1 * 2/2019 Gretz H02G 3/085

(71) Applicant: **CLAD INNOVATIONS LTD.**, Pitt Meadows (CA)

* cited by examiner

Primary Examiner — Antoine Duval Davis

(72) Inventors: **Vladislav Igorevich Lavrovsky**, Vancouver (CA); **Kevin Hart**, Port Coquitlam (CA); **Aaron Joseph MacDonald**, Garibaldi Highlands (CA)

(74) *Attorney, Agent, or Firm* — Gina M. Lupino

(**) Term: **15 Years**

(57) **CLAIM**

The ornamental design for a mounting plate for air quality monitoring device, as shown.

(21) Appl. No.: **29/657,538**

DESCRIPTION

(22) Filed: **Jul. 24, 2018**

FIG. 1 is a front left perspective view of a mounting plate in accordance with the design, showing the top, front and left sides thereof.

(51) **LOC (12) Cl.** **10-04**

FIG. 2 is a rear left perspective view of the mounting plate of FIG. 1, showing the top, rear and left sides thereof;

(52) **U.S. Cl.**

USPC **D10/60**

FIG. 3 is a front elevation view of the mounting plate of FIG. 1;

(58) **Field of Classification Search**

USPC D10/60; D13/177, 184, 199

CPC G01K 1/00; G01K 1/02; G01K 1/024;

G01K 1/14; G01K 1/143; G01K 1/146;

G01K 13/02; G01K 13/002; F16M 13/00;

F16M 13/005; H02G 3/08; H02G 3/081;

H02G 3/083; H02G 3/10; H02G 3/12;

H02G 3/121; H02G 3/123

See application file for complete search history.

FIG. 4 is a rear elevation view of the mounting plate of FIG. 1;

FIG. 5 is a top plan view of the mounting plate of FIG. 1;

FIG. 6 is a bottom plan view of the mounting plate of FIG. 1.

FIG. 7 is a right-side elevation view of the mounting plate of FIG. 1.

FIG. 8 is a left side elevation view of the mounting plate of FIG. 1; and,

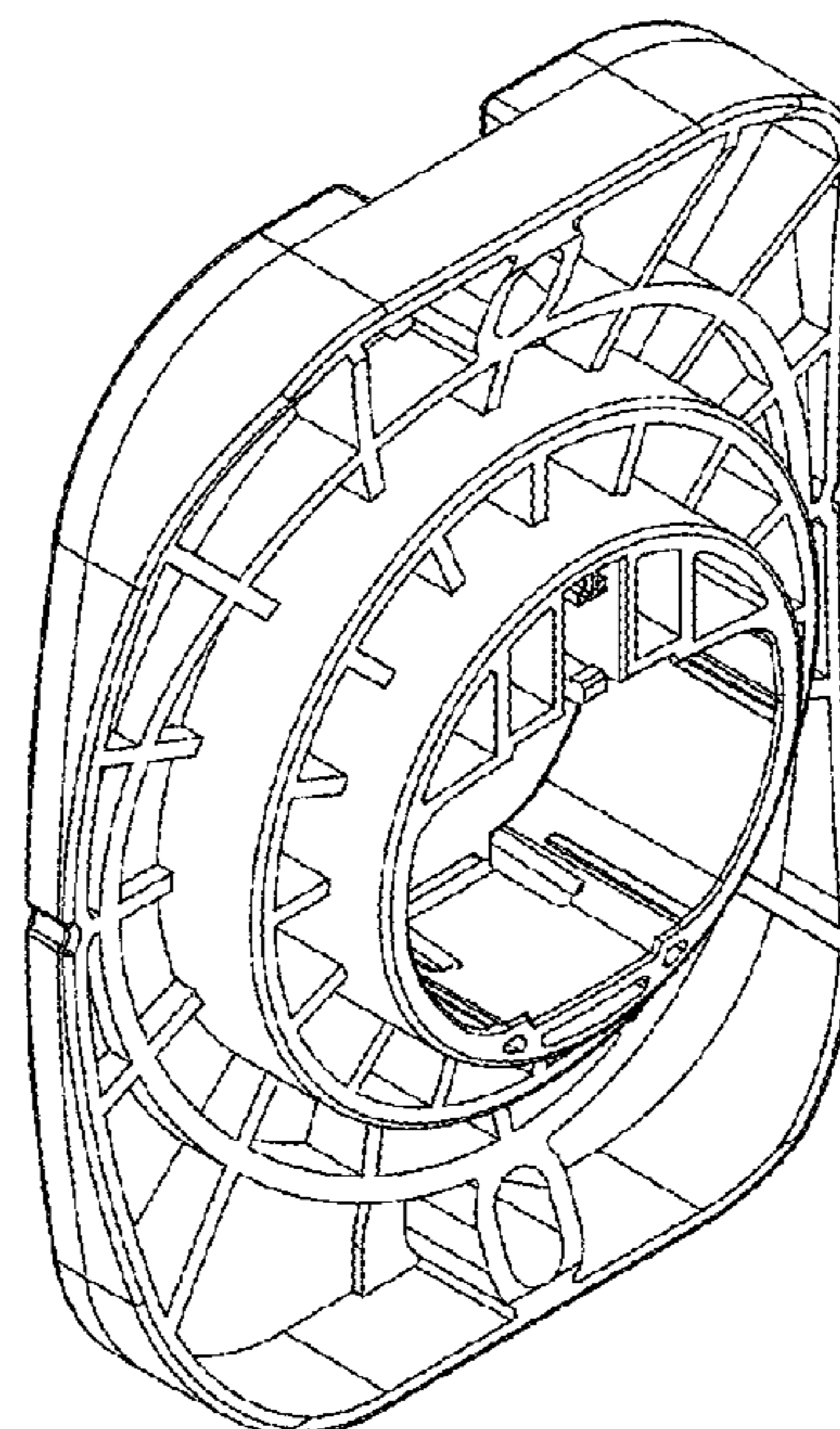
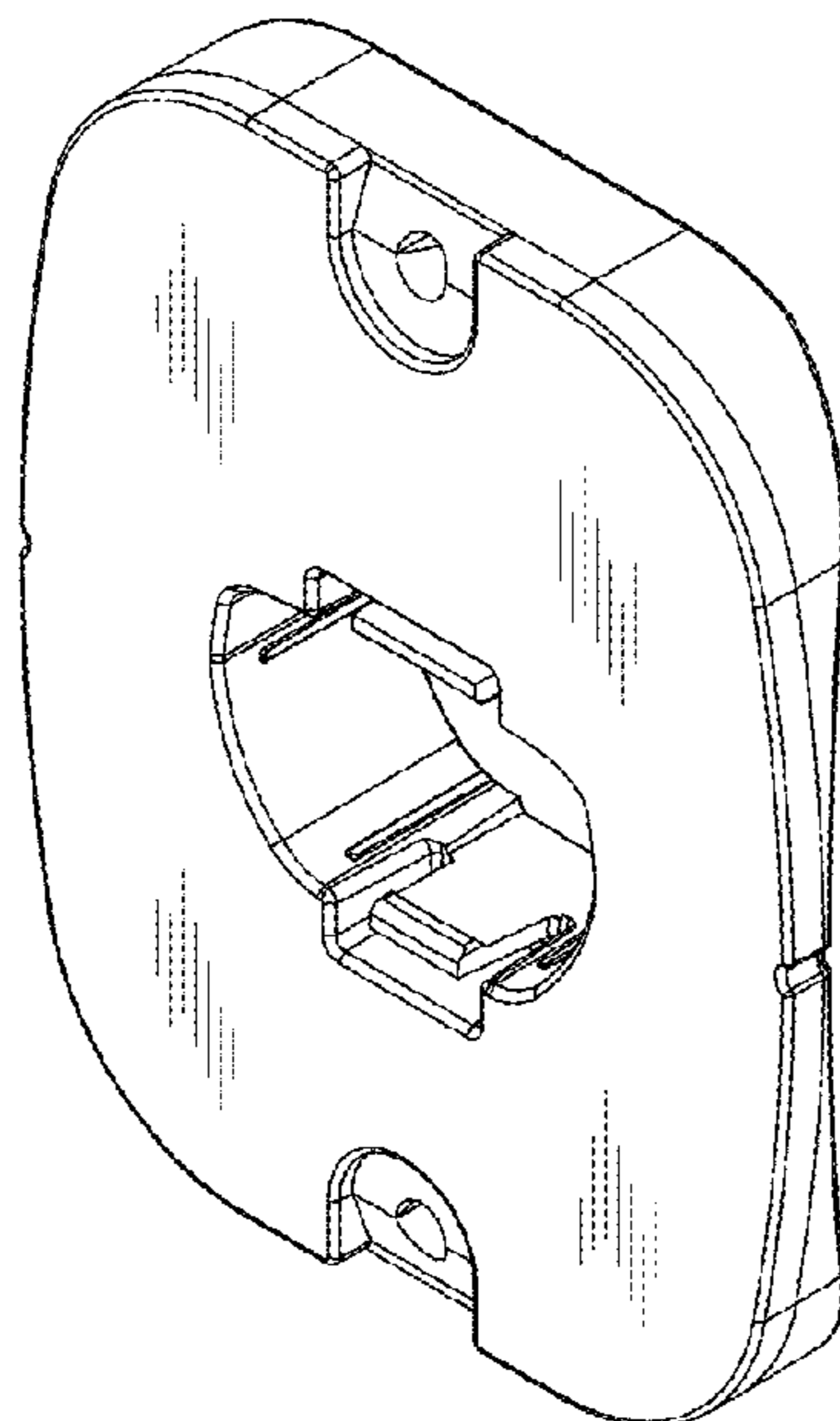
FIG. 9 is a front left perspective view of the mounting plate of FIG. 1, showing the top, front and left sides thereof and including environment.

(56) **References Cited**

U.S. PATENT DOCUMENTS

9,167,667 B2 * 10/2015 Trolese F21S 8/024

1 Claim, 5 Drawing Sheets



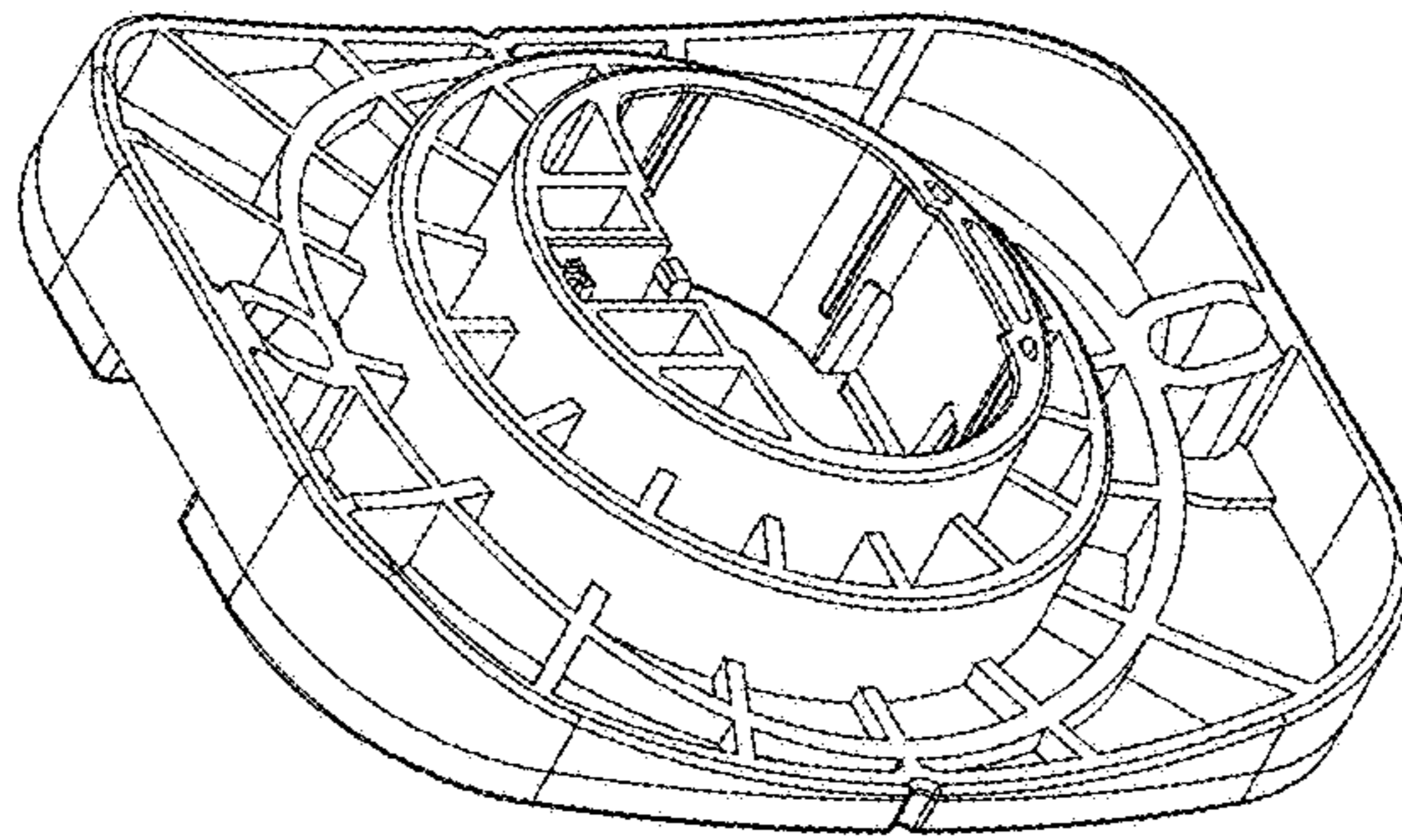


FIG. 2

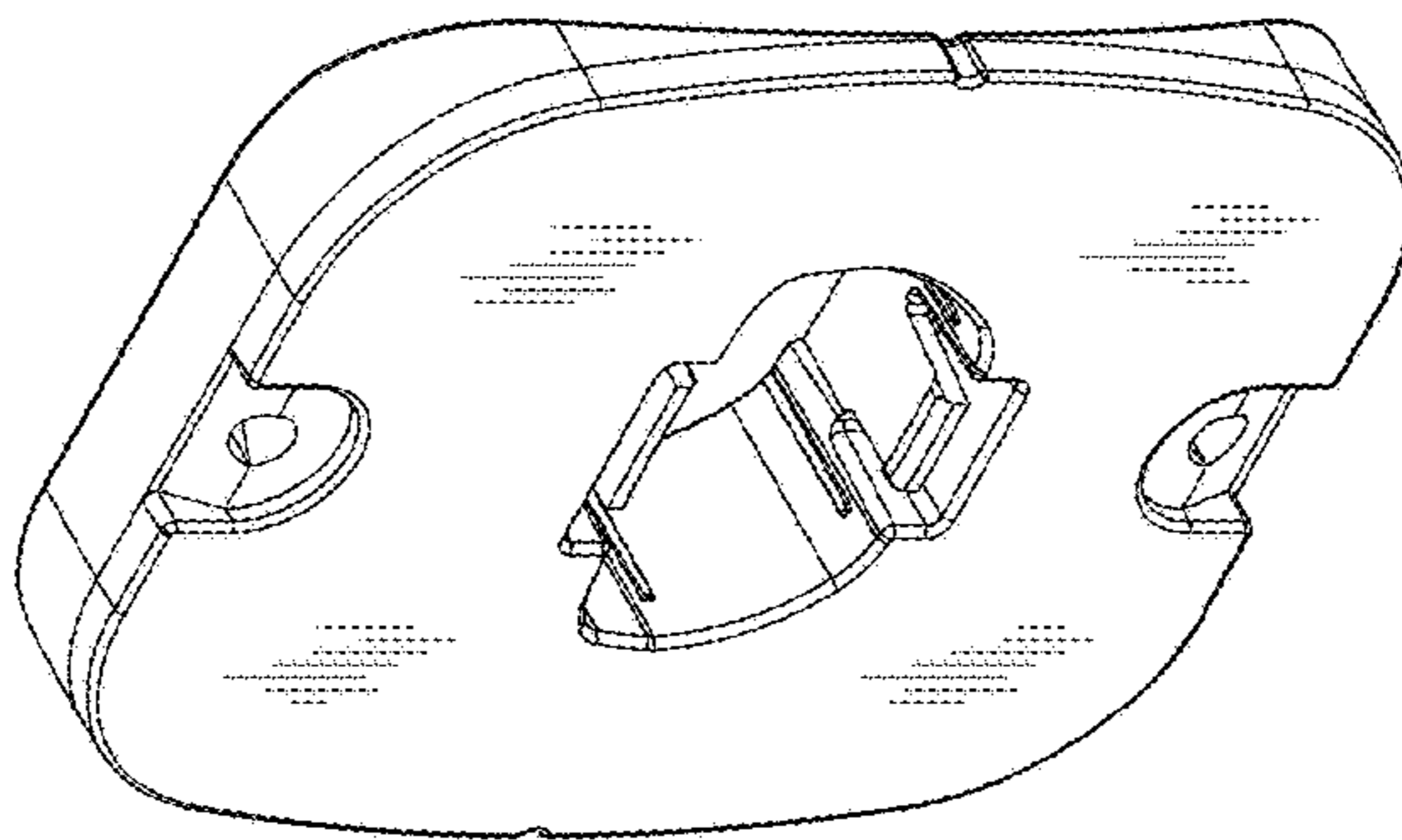


FIG. 1

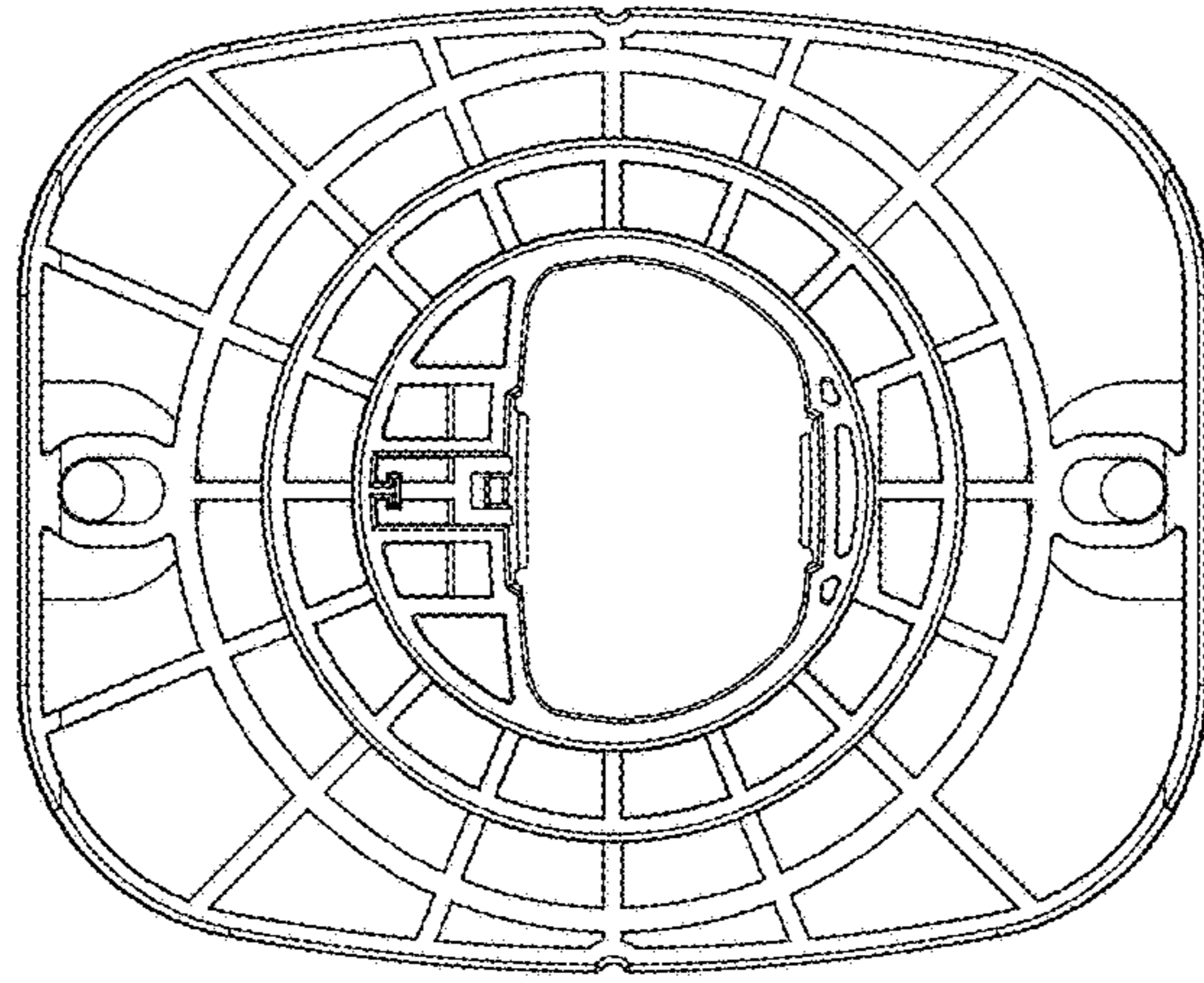


FIG. 4

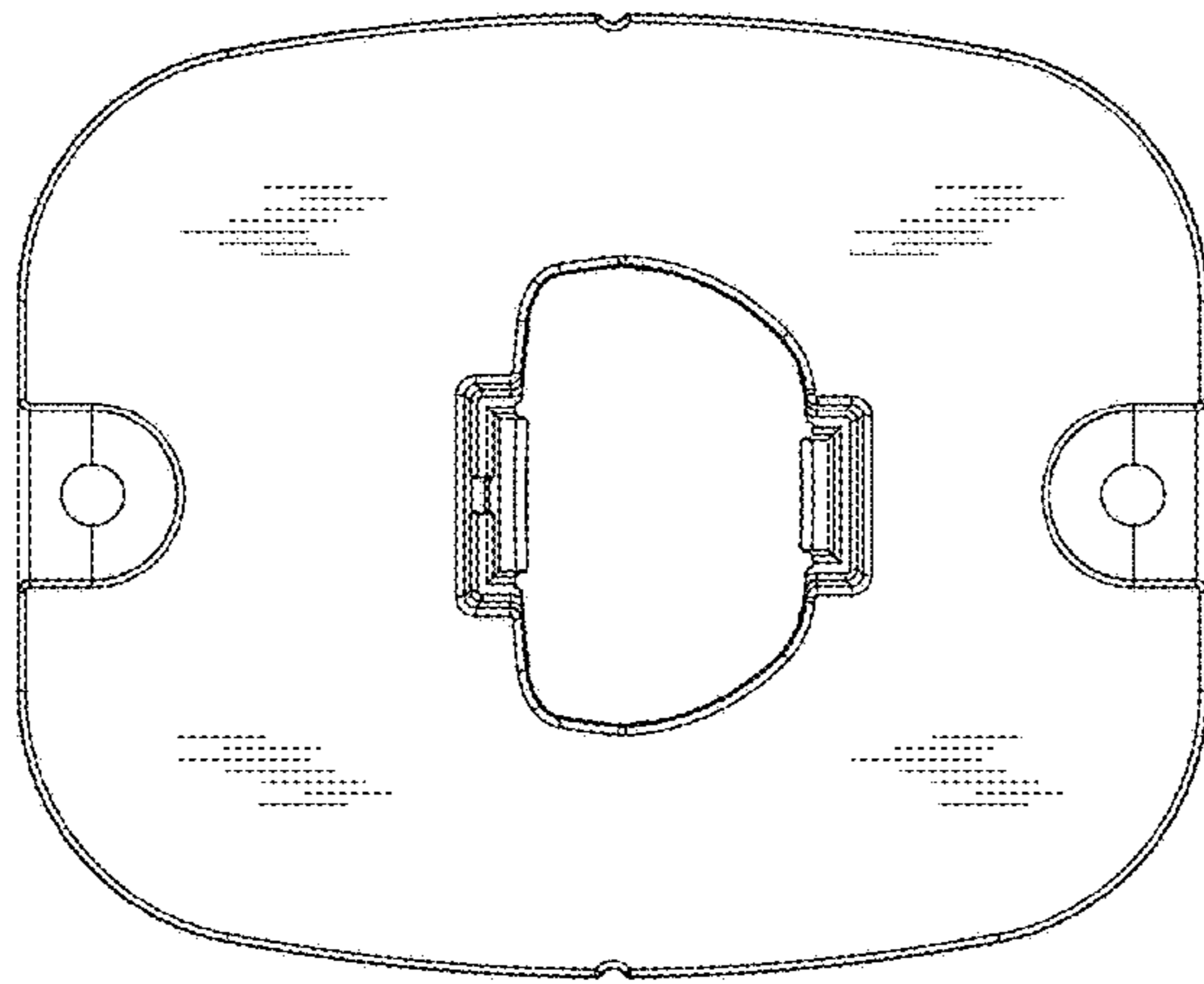


FIG. 3

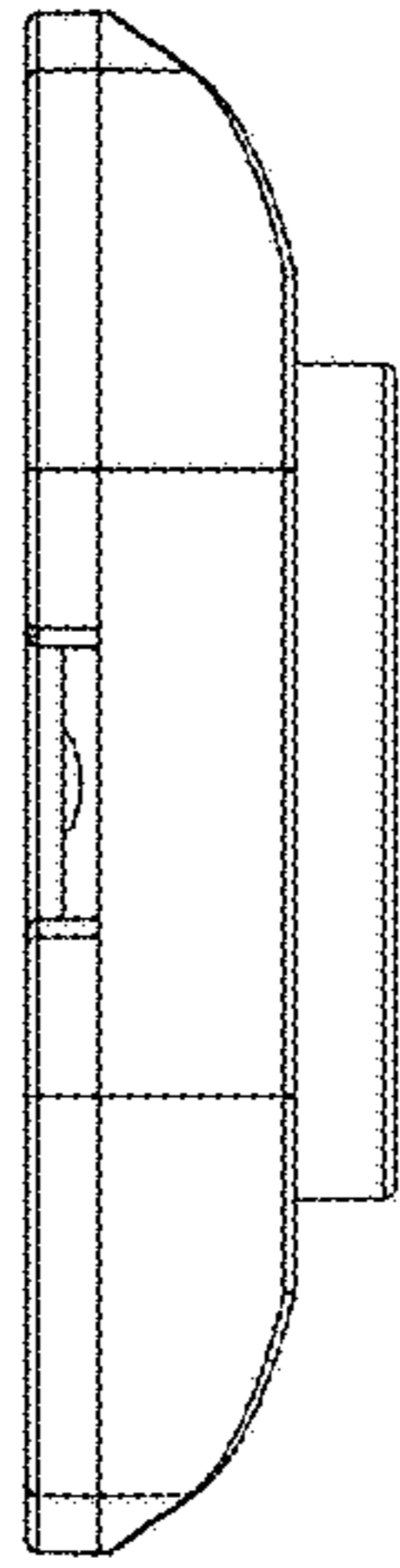


FIG. 6

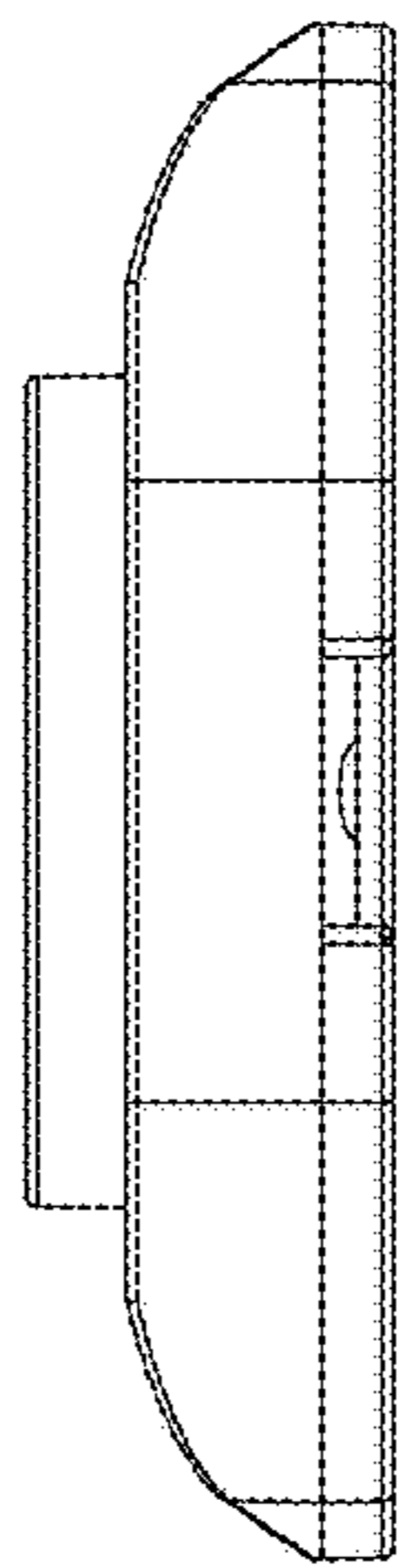


FIG. 5

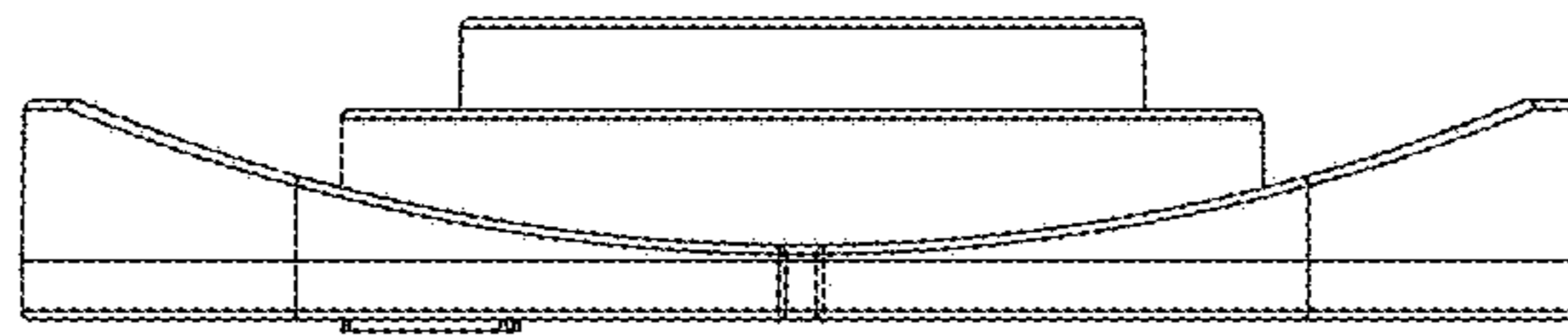


FIG. 8

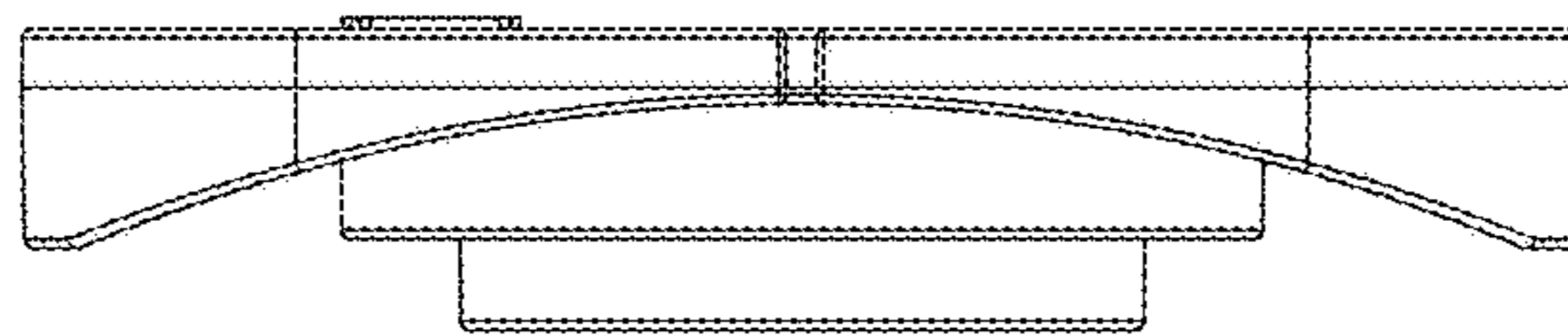


FIG. 7

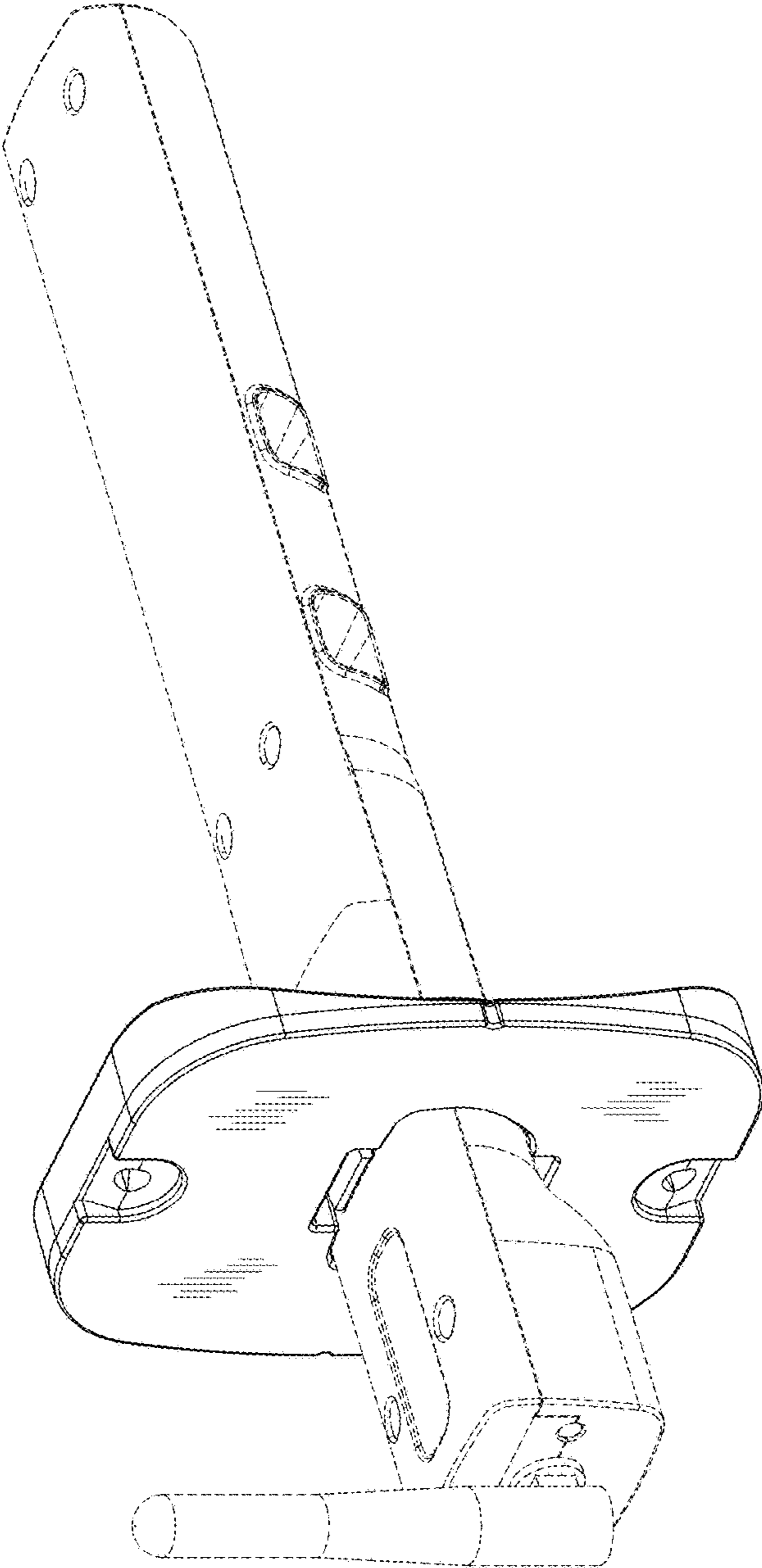


FIG. 9