

US00D867172S

(12) **United States Design Patent** (10) **Patent No.:** **US D867,172 S**
Zhuang (45) **Date of Patent:** **** Nov. 19, 2019**

(54) **THERMODETECTOR**
(71) Applicant: **Zhejiang Rongsheng Tools Co., Ltd.**,
Jinhua, Zhejiang (CN)
(72) Inventor: **Chengrong Zhuang**, Zhejiang (CN)
(73) Assignee: **Zhejiang Rongsheng Tools Co., Ltd.**,
Jinhua, Zhejiang (CN)
(**) Term: **15 Years**

D321,487 S * 11/1991 Manno D10/57
D549,114 S * 8/2007 Sebban D10/57
D583,262 S * 12/2008 Flandin D10/57
D583,263 S * 12/2008 Sebban D10/57
D618,569 S * 6/2010 Guo D10/57
D666,928 S * 9/2012 Elrod D10/57
D668,561 S * 10/2012 Dunkin D10/57
9,109,911 B2 * 8/2015 Rice G01C 21/3407
D791,624 S * 7/2017 Wong D10/57
9,723,229 B2 * 8/2017 Nguyen G01J 5/02
9,883,084 B2 * 1/2018 Nguyen G01J 5/0205

* cited by examiner

(21) Appl. No.: **29/657,485**
(22) Filed: **Jul. 23, 2018**

Primary Examiner — Antoine Duval Davis
(74) *Attorney, Agent, or Firm* — Novick, Kim & Lee,
PLLC; Allen Xue; Hyun Woo Shin

(30) **Foreign Application Priority Data**

Jan. 24, 2018 (CN) 2018 3 0037355

(51) **LOC (12) Cl.** **10-04**
(52) **U.S. Cl.**
USPC **D10/57**

(57) **CLAIM**

I claim the ornamental design for a thermodetector, as shown and described.

(58) **Field of Classification Search**
USPC D10/52, 57
CPC G01J 5/04; G01J 5/041; G01J 5/042; G01J
5/043; G01J 5/044; G01J 5/045; G01J
5/046; G01J 5/047; G01J 5/048; G01J
5/049; G01J 5/0265; G01K 1/02; G01K
1/022; G01K 1/024; G01K 1/08; G01K
1/20; G01K 3/005; G01K 3/06; G01K
13/002; G01K 13/04
See application file for complete search history.

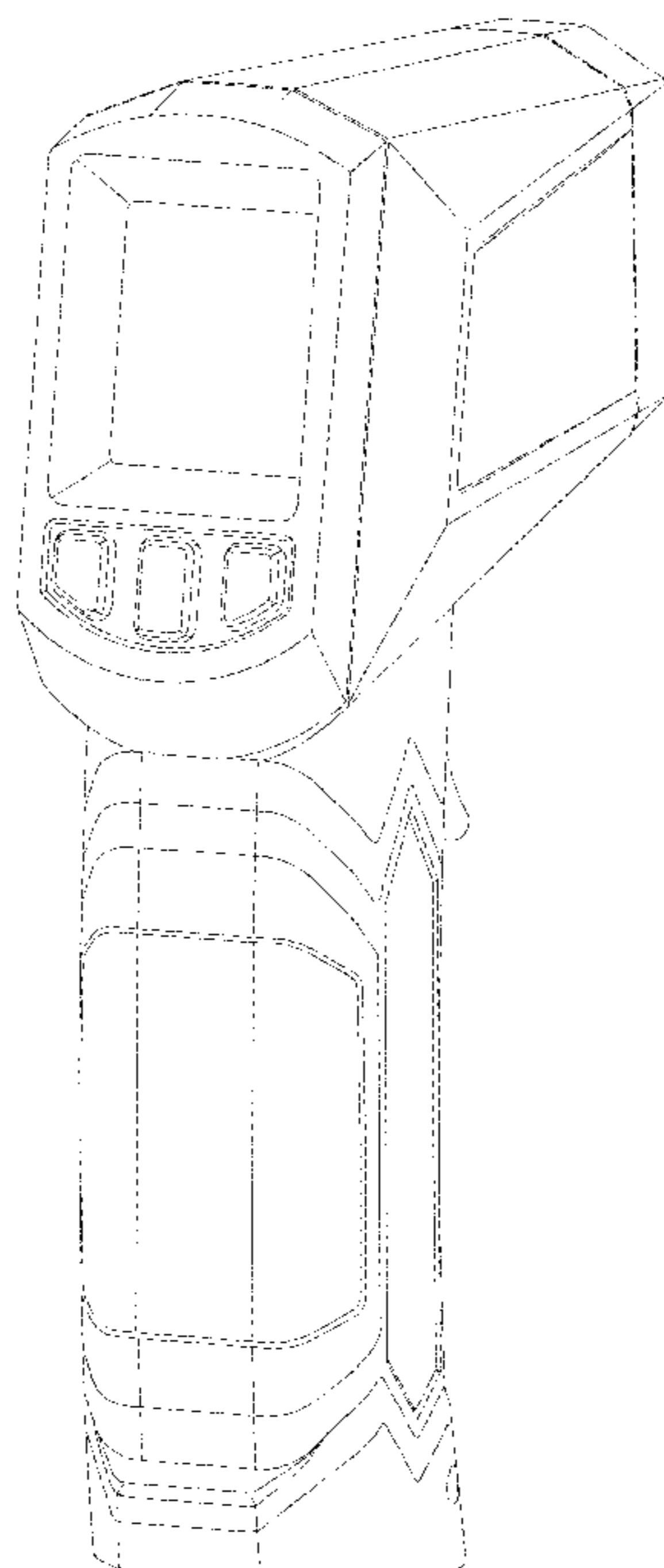
DESCRIPTION

FIG. 1 is a perspective view of a thermodetector, showing my new design;
FIG. 2 is a front elevational view thereof;
FIG. 3 is a rear elevational view thereof;
FIG. 4 is a right side elevational view thereof;
FIG. 5 is a left side elevational view thereof;
FIG. 6 is a top plan view thereof; and,
FIG. 7 is a bottom plan view thereof.

(56) **References Cited**
U.S. PATENT DOCUMENTS

4,634,294 A * 1/1987 Christol G01J 5/02
340/584

1 Claim, 7 Drawing Sheets



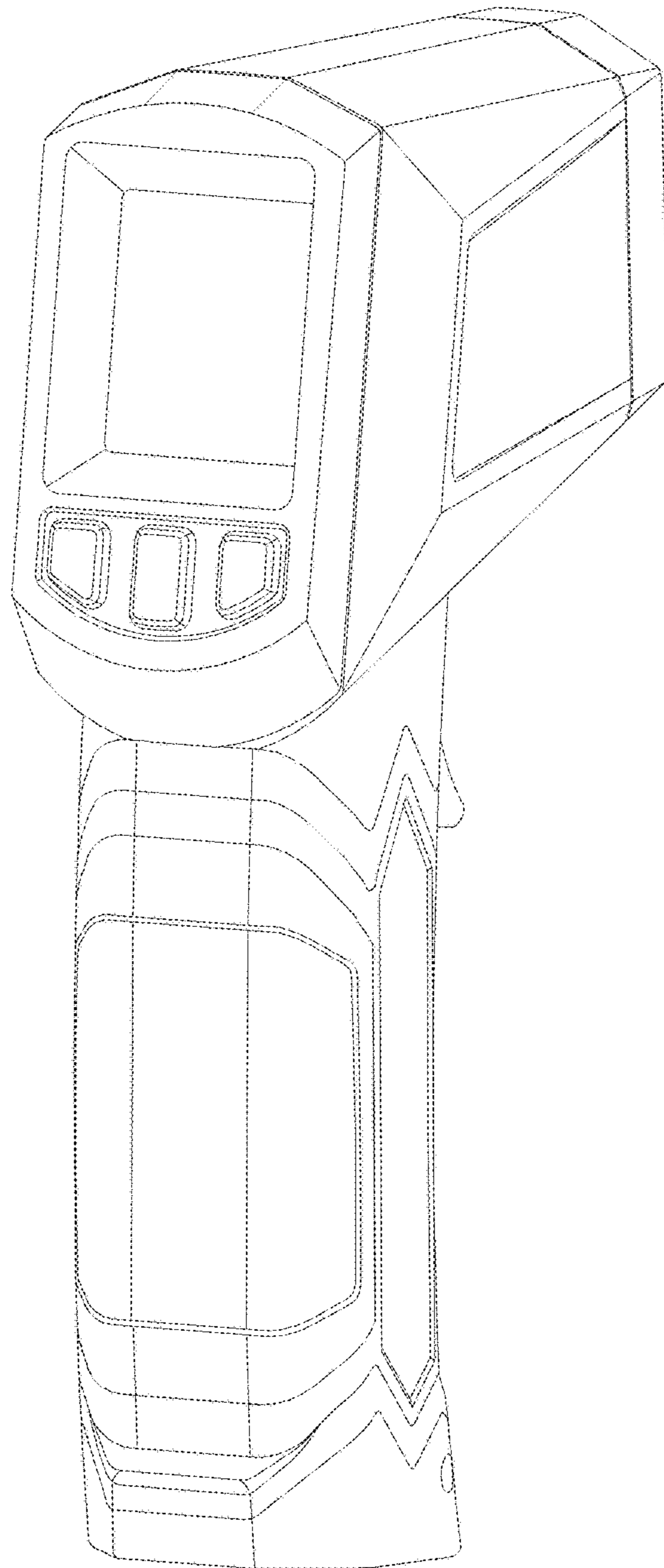


FIG. 1

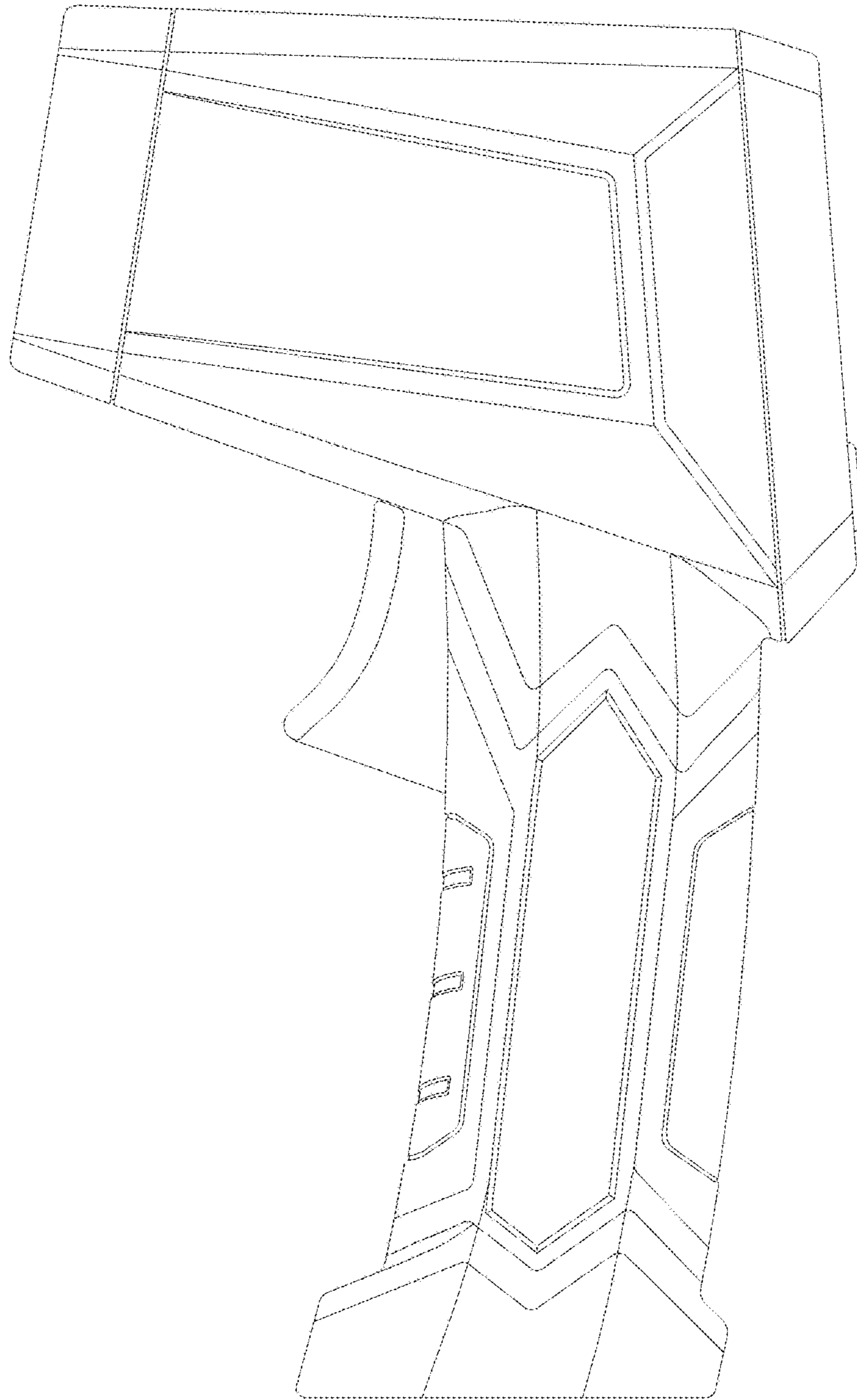


FIG. 2

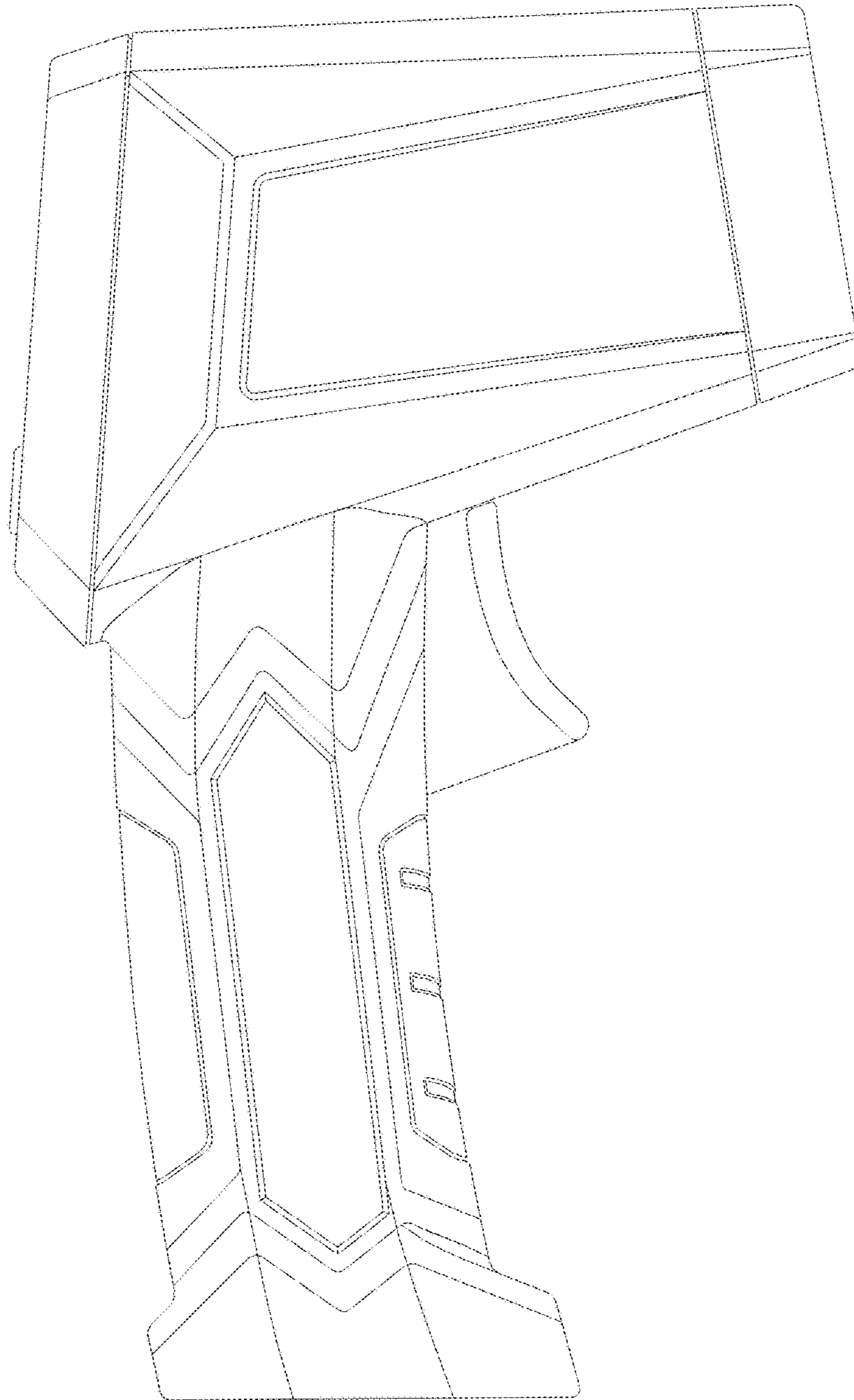


FIG. 3

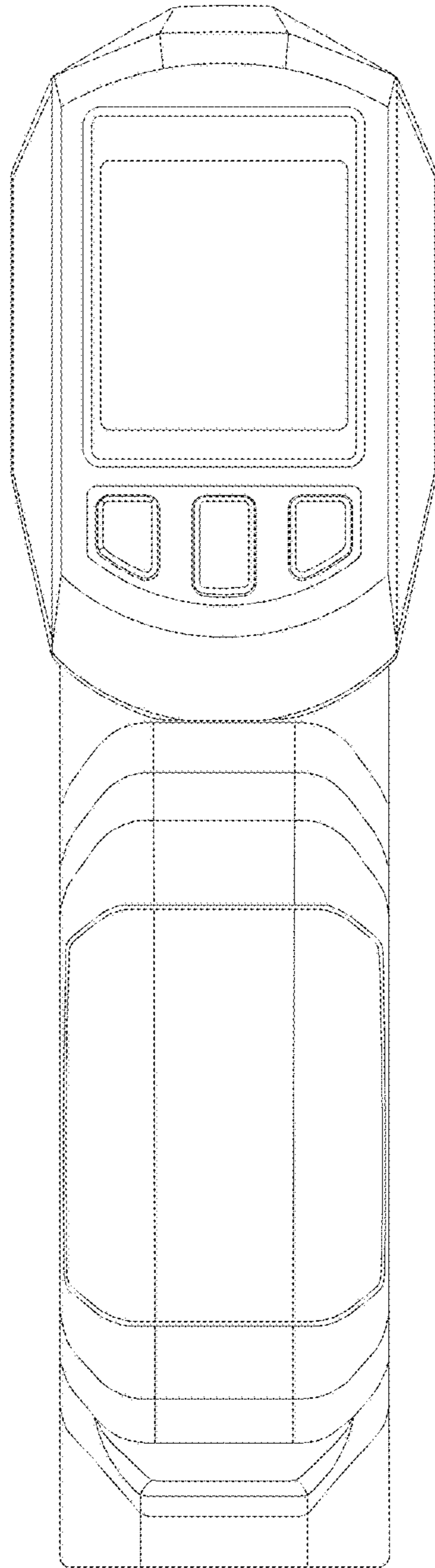


FIG. 4

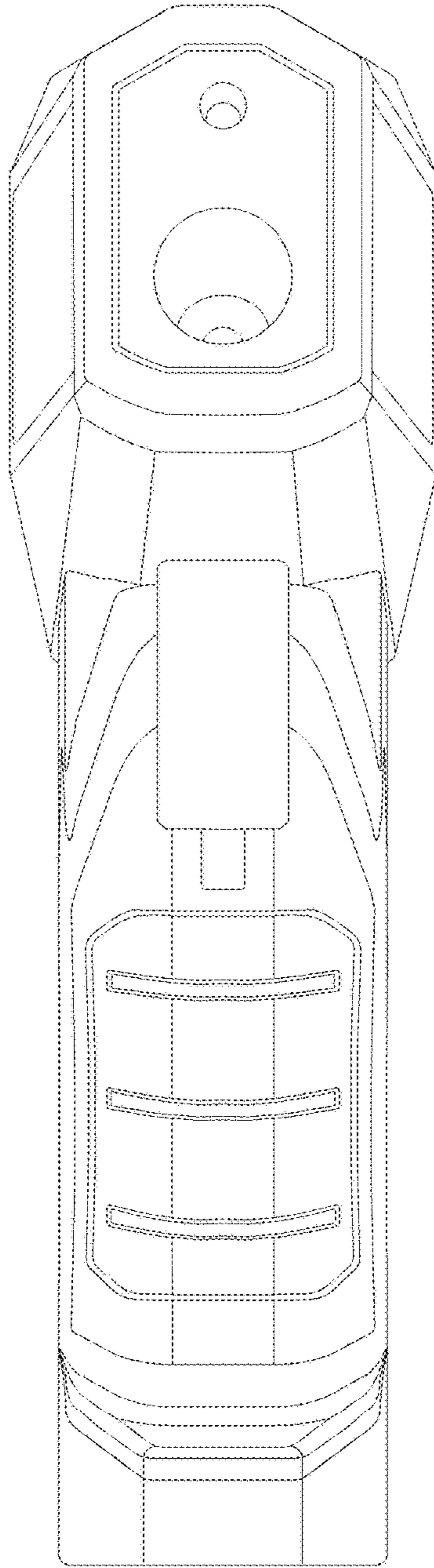


FIG. 5

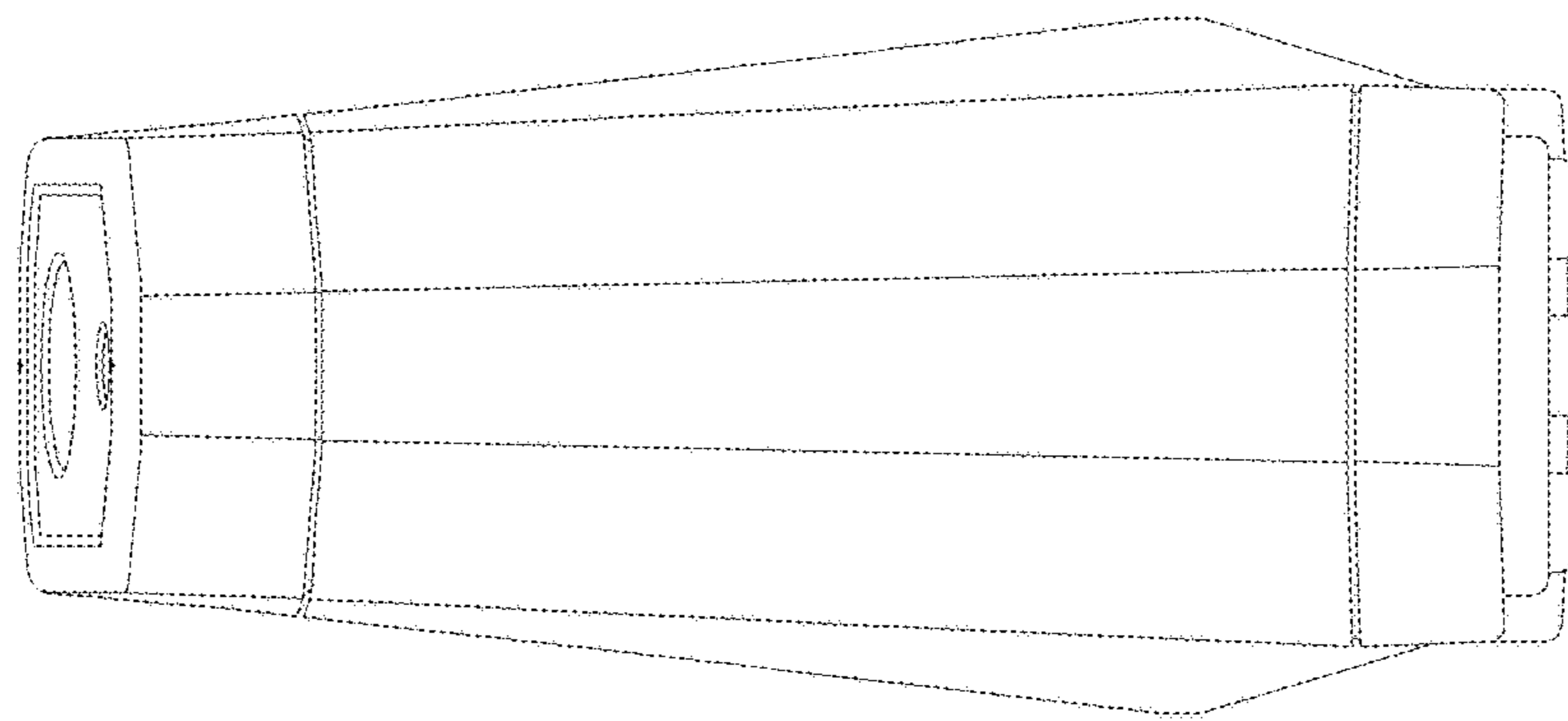


FIG. 6

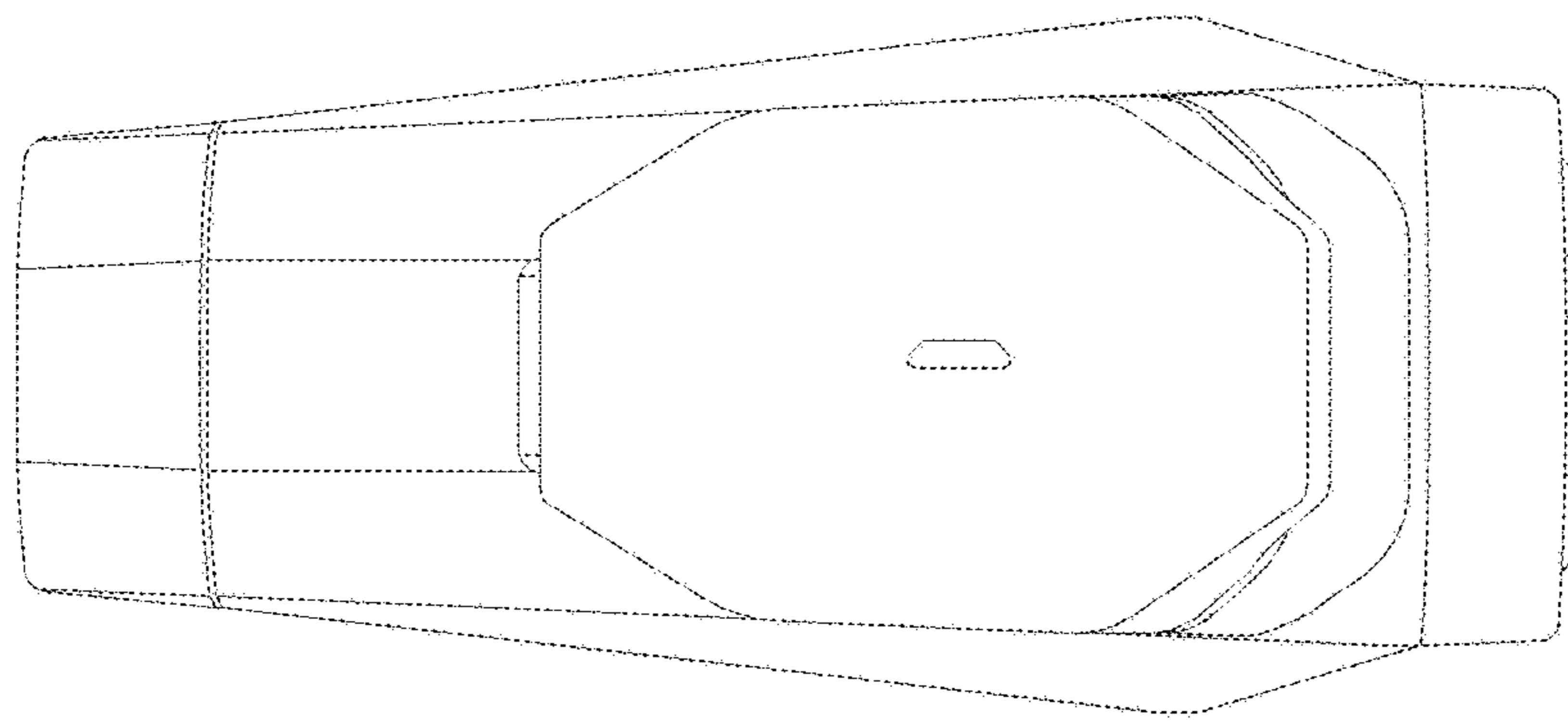


FIG. 7