



US00D867171S

(12) **United States Design Patent**
Dolgonosov et al.

(10) **Patent No.:** **US D867,171 S**

(45) **Date of Patent:** **** Nov. 19, 2019**

(54) **TEMPERATURE SENSOR**

(71) Applicant: **Brava Home, Inc.**, Redwood City, CA (US)

(72) Inventors: **Zinovy Dolgonosov**, San Francisco, CA (US); **Nicolas DiBenedetto**, San Francisco, CA (US); **Jacob Dimiceli**, Orinda, CA (US)

(73) Assignee: **Brava Home, Inc.**, Redwood City, CA (US)

(**) Term: **15 Years**

(21) Appl. No.: **29/655,982**

(22) Filed: **Jul. 9, 2018**

(51) **LOC (12) Cl.** **10-04**

(52) **U.S. Cl.**
USPC **D10/57**

(58) **Field of Classification Search**
USPC D10/57
CPC G01K 2207/02; G01K 2207/04; G01K 2207/06; G01K 2207/08
See application file for complete search history.

(56) **References Cited**

U.S. PATENT DOCUMENTS

- 4,349,031 A * 9/1982 Perlin A61B 5/0421
600/380
- 4,475,024 A 10/1984 Tateda
- 5,364,186 A * 11/1994 Wang G01J 5/04
374/126
- 7,075,442 B2 7/2006 Lion et al.
- D722,896 S * 2/2015 Lantzsch D10/57

- D741,205 S * 10/2015 Lantzsch D10/57
- D741,729 S * 10/2015 Lantzsch D10/57
- 2008/0259995 A1 10/2008 Kuhn

* cited by examiner

Primary Examiner — Antoine Duval Davis
(74) *Attorney, Agent, or Firm* — Haynes and Boone, LLP

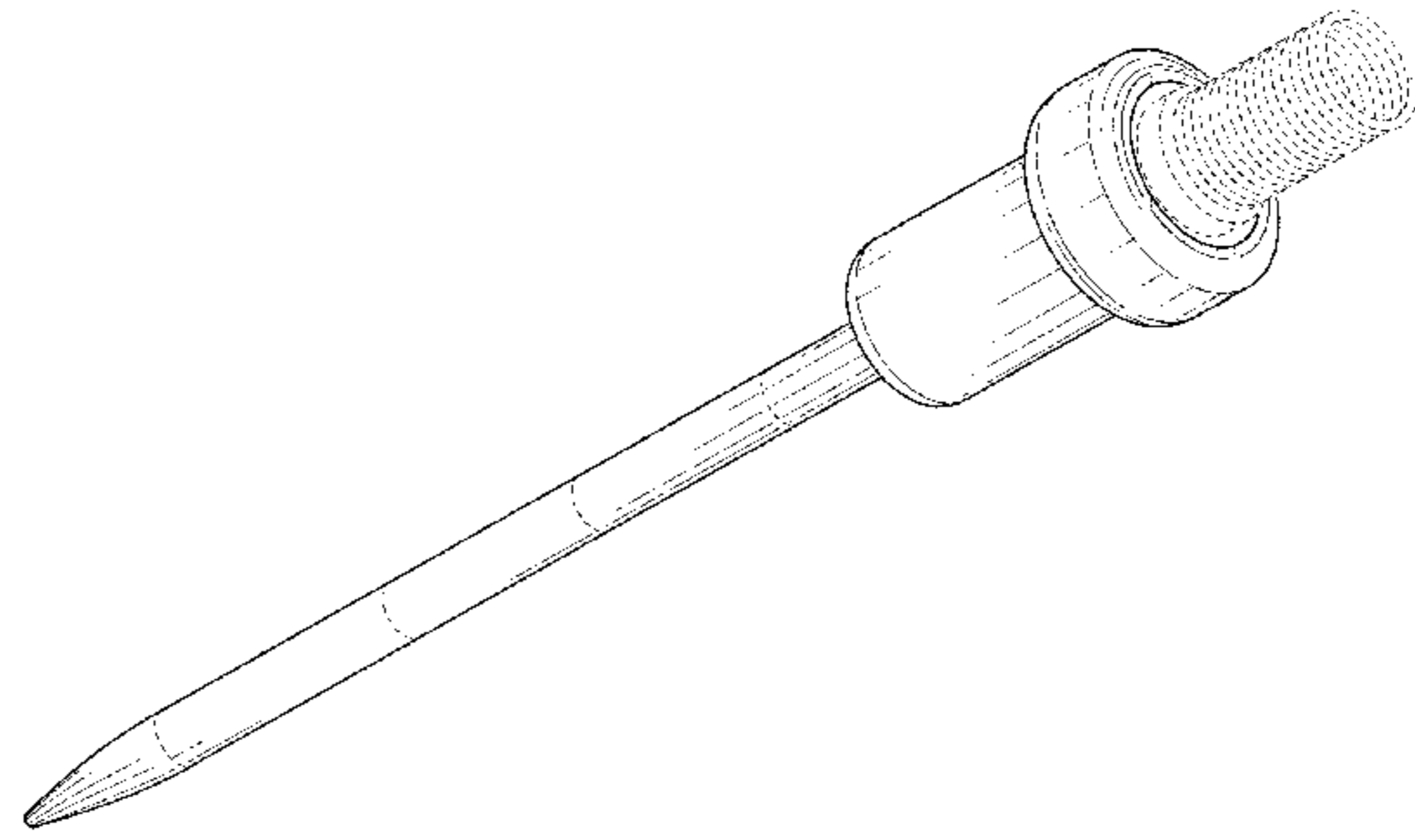
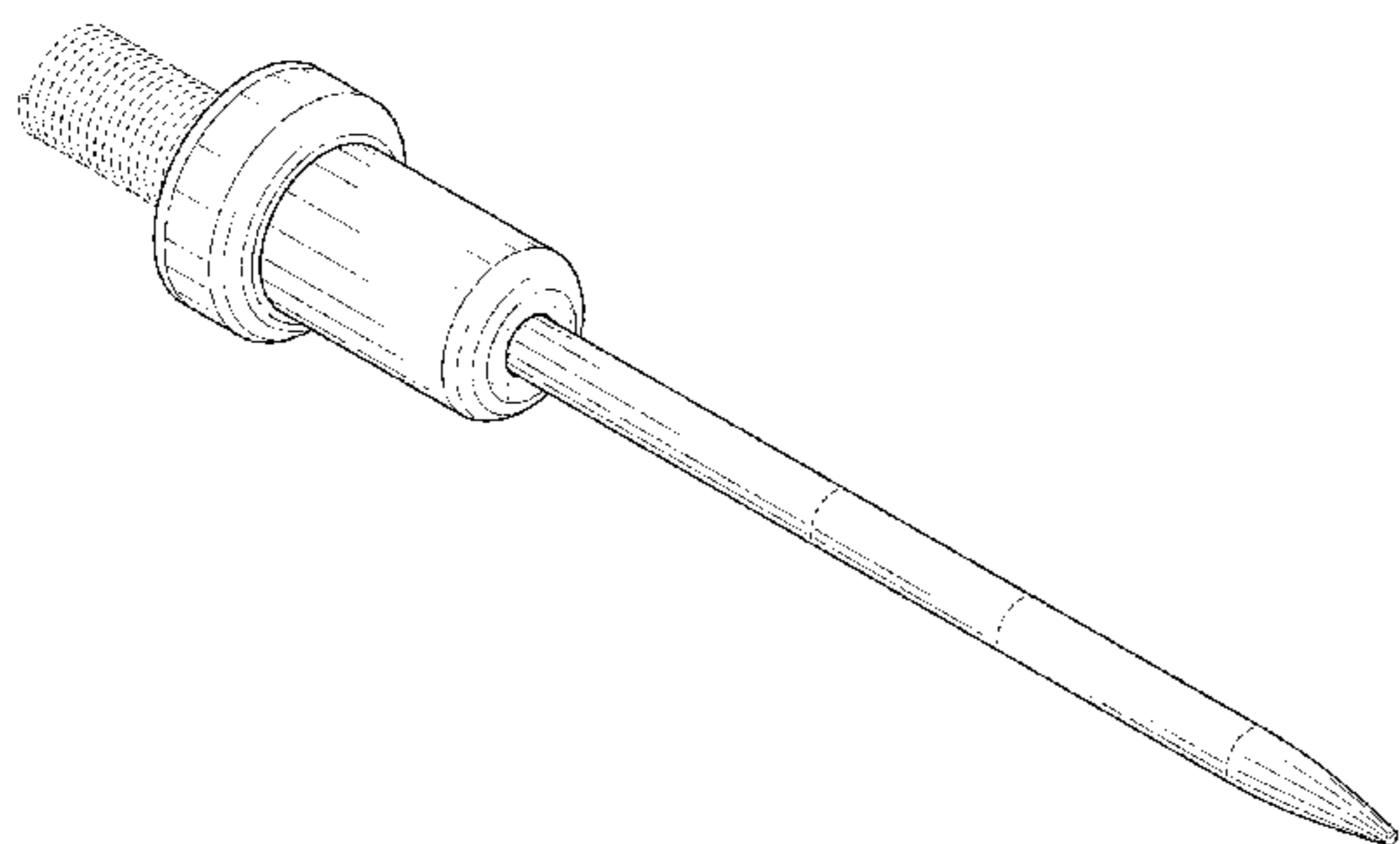
(57) **CLAIM**

The ornamental design for a temperature sensor, as shown and described.

DESCRIPTION

FIG. 1 is a front, right, and top perspective view of a temperature sensor showing the new design;
 FIG. 2 is a back, left, and bottom perspective view thereof;
 FIG. 3 is a right side view thereof;
 FIG. 4 is a left side view thereof;
 FIG. 5 is a front elevational view thereof;
 FIG. 6 is a rear elevational view thereof;
 FIG. 7 is a top plan view thereof;
 FIG. 8 is a bottom plan view thereof;
 FIG. 9 is a front, right, and bottom perspective view thereof of the temperature sensor coupled via a cable to a temperature sensor connector; and,
 FIG. 10 is a top plan view coupled thereof of the temperature sensor coupled via a cable to a temperature sensor connector.
 The broken lines in the figures are shown for the purpose of illustrating portions of the temperature sensor and/or environmental matter that form no part of the claimed design.

1 Claim, 9 Drawing Sheets



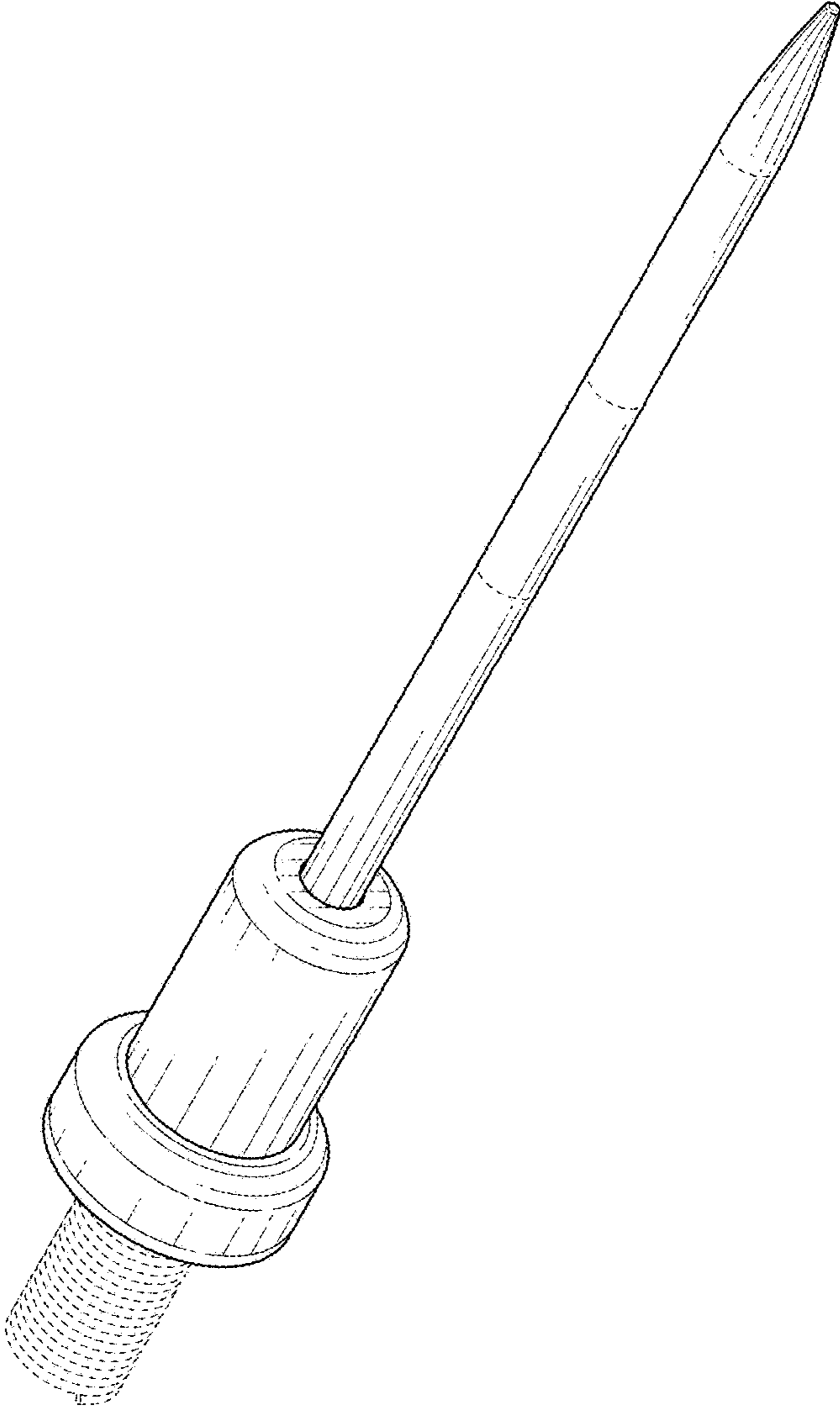


FIG. 1

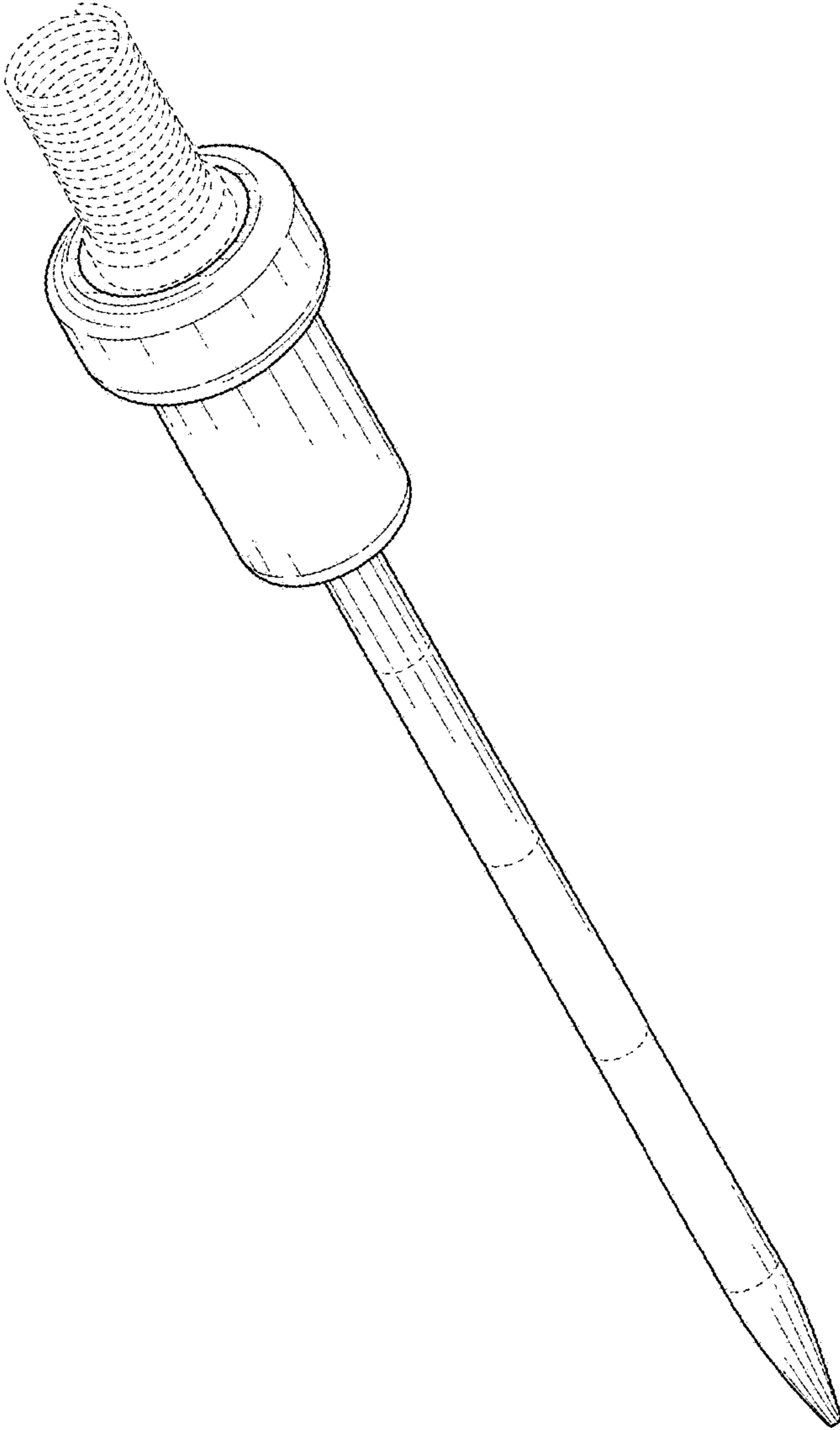


FIG. 2

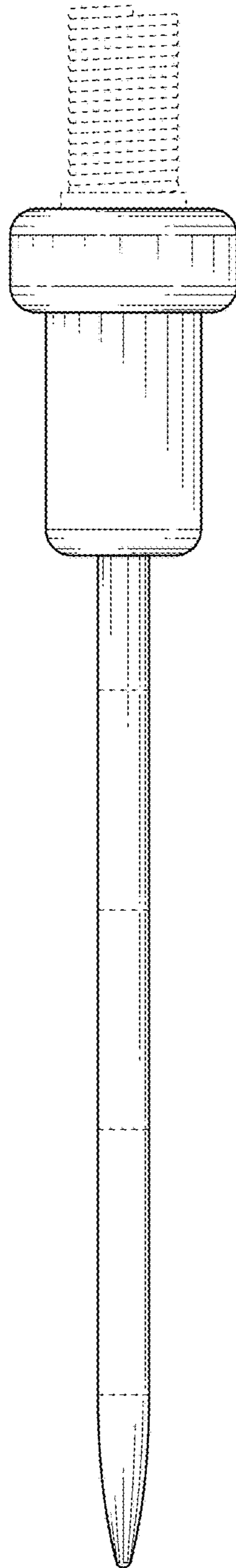


FIG. 3

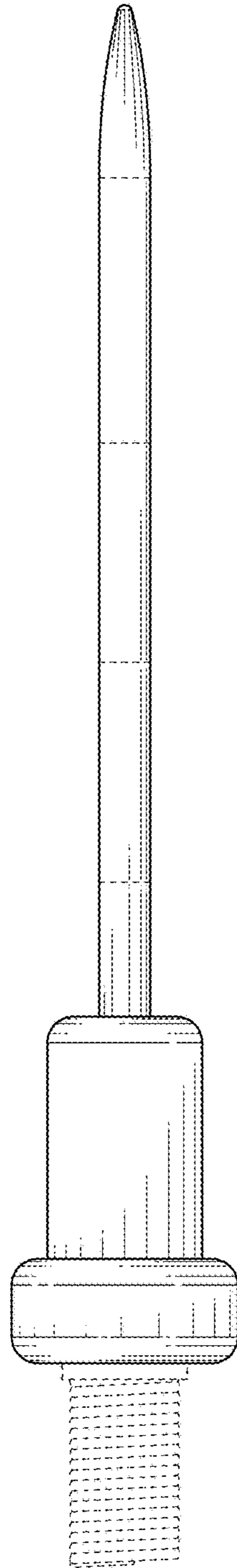


FIG. 4

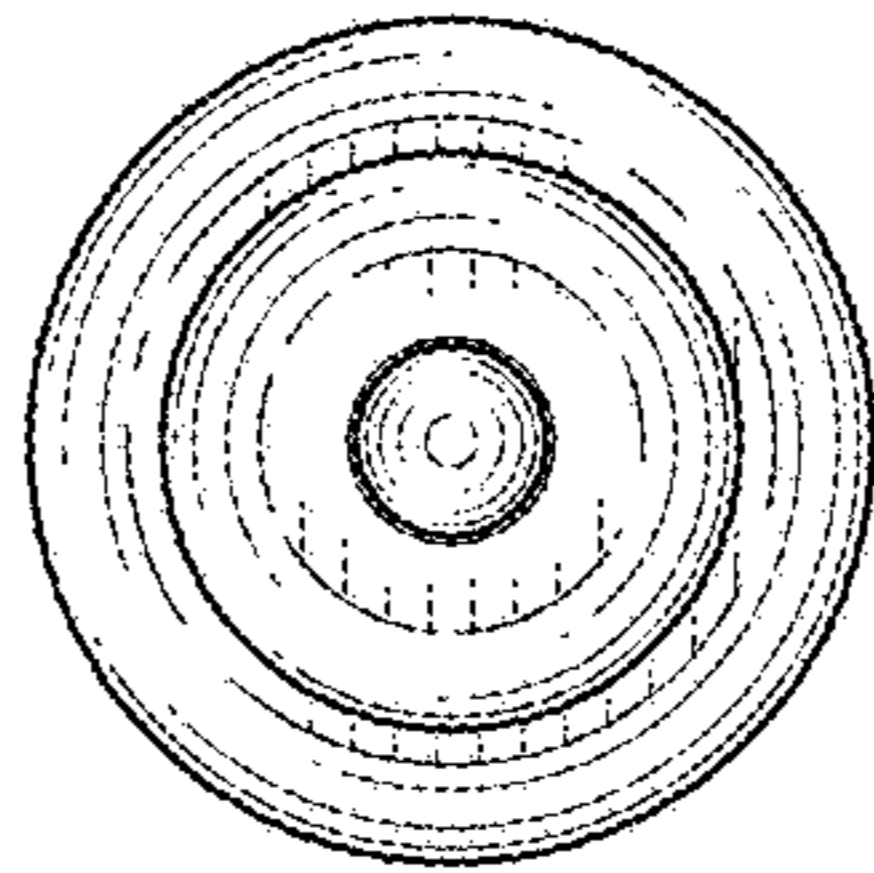


FIG. 5

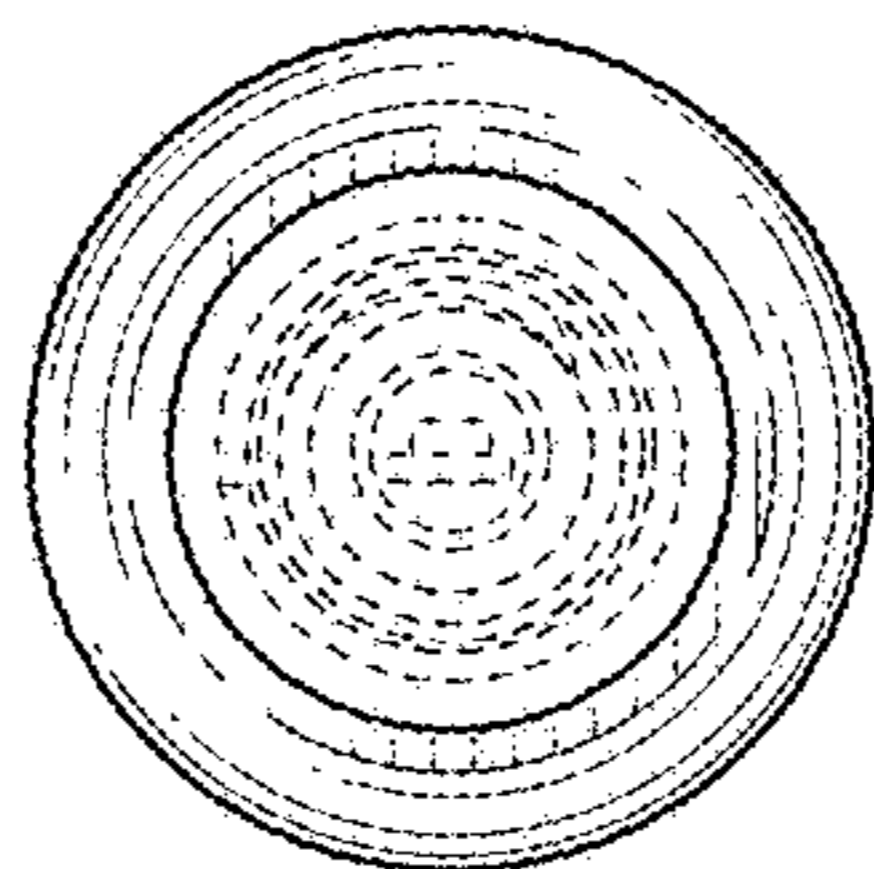


FIG. 6

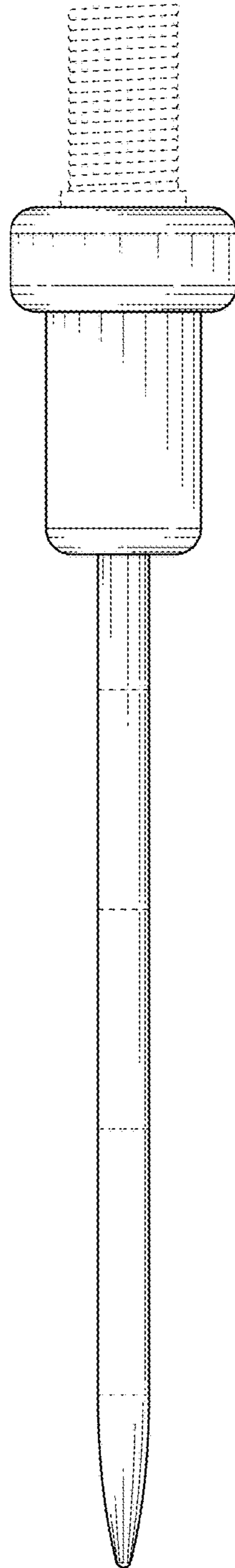


FIG. 7

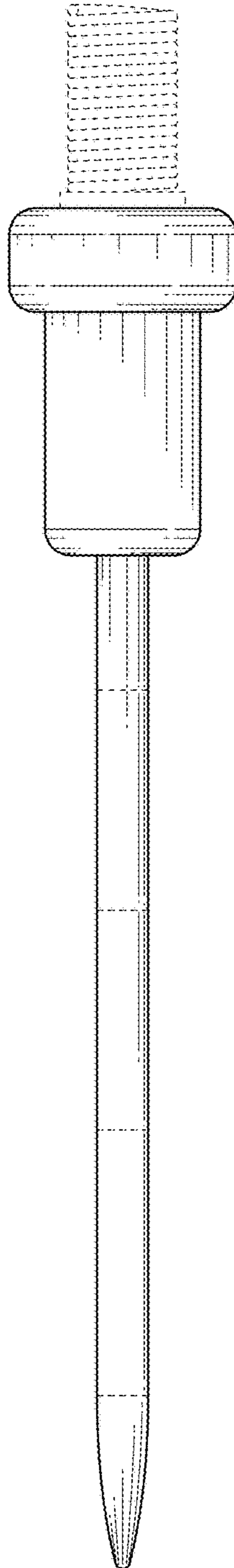


FIG. 8

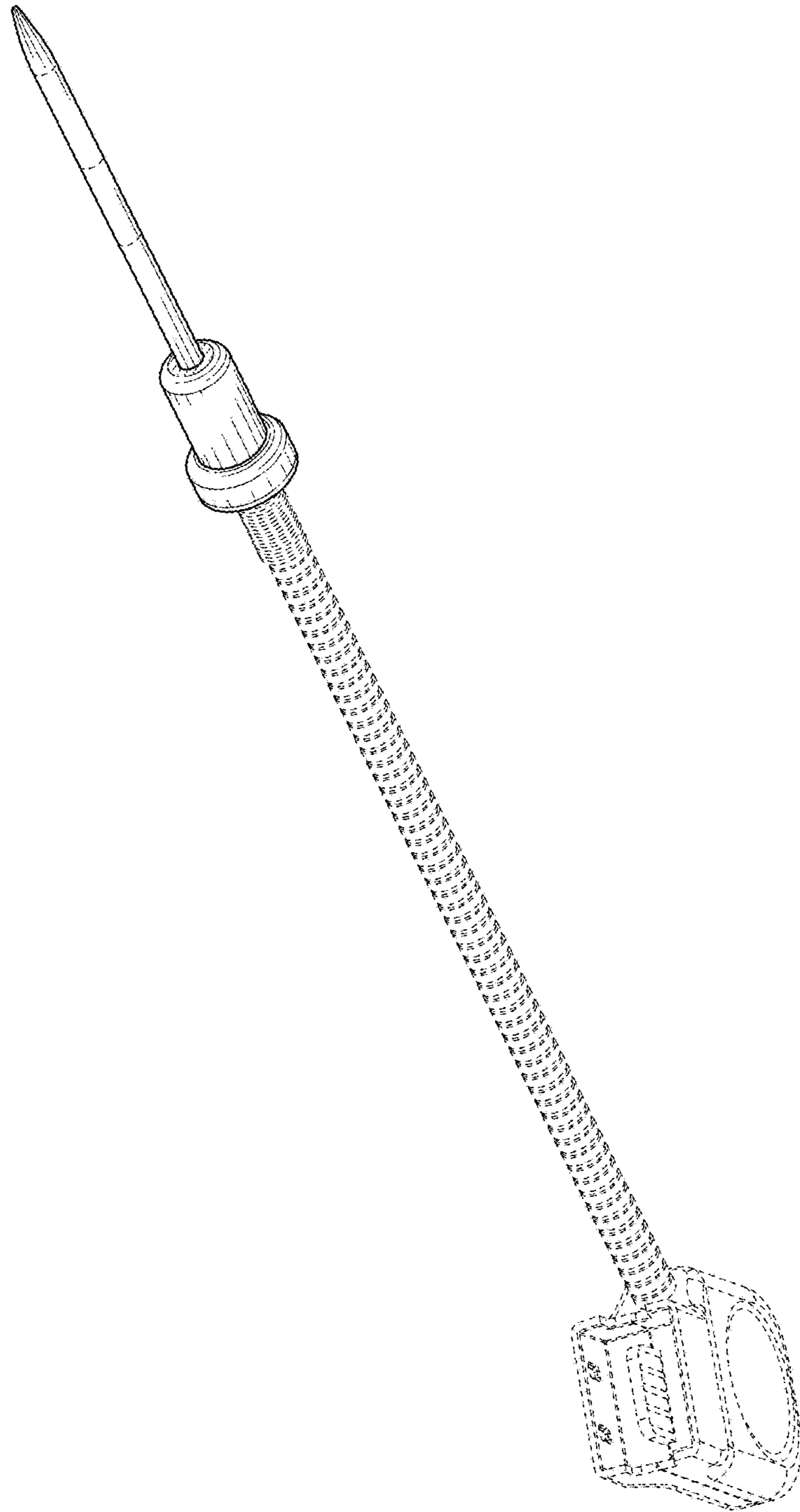


FIG. 9

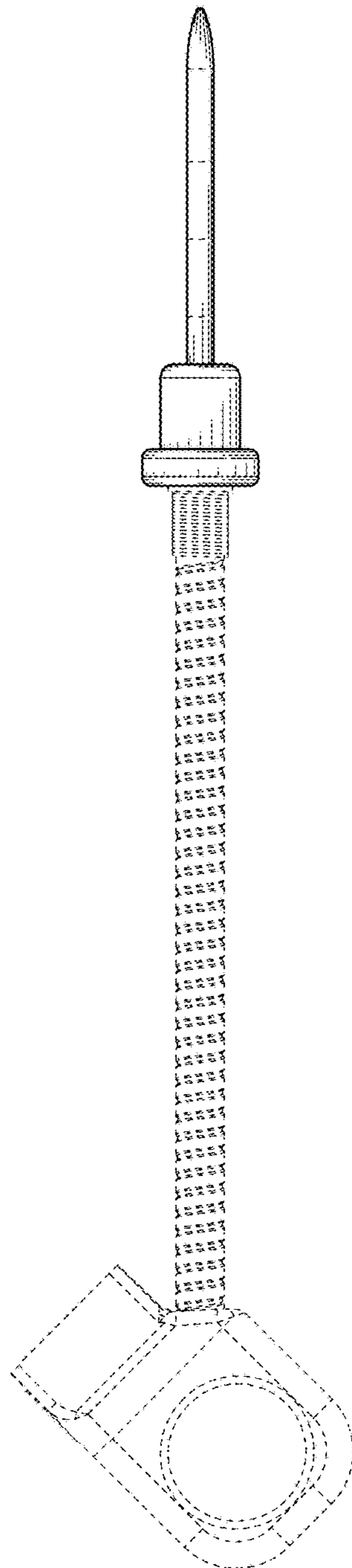


FIG. 10