



US00D867170S

(12) **United States Design Patent**  
**Deng**

(10) **Patent No.:** **US D867,170 S**

(45) **Date of Patent:** **\*\* Nov. 19, 2019**

(54) **DETECTOR FOR METAL**

(71) Applicant: **Shanghai Tianxun Electronic Equipment Co., Ltd, Shanghai (CN)**

(72) Inventor: **Junhong Deng, Shanghai (CN)**

(73) Assignee: **Shanghai Tianxun Electronic Equipment Co., Ltd, Shanghai (CN)**

(\*\*) Term: **15 Years**

(21) Appl. No.: **29/700,751**

(22) Filed: **Aug. 5, 2019**

(51) **LOC (12) Cl.** ..... **10-04**

(52) **U.S. Cl.**  
USPC ..... **D10/47**

(58) **Field of Classification Search**  
USPC ..... D10/47

CPC ... G01V 3/00; G01V 3/02; G01V 3/04; G01V 3/06; G01V 3/08; G01V 3/081; G01V 3/082; G01V 3/083; G01V 2003/084; G01V 2003/085; G01V 2003/086; G01V 3/087; G01V 3/088; G01V 3/10; G01V 3/101; G01V 3/102; G01V 3/104; G01V 3/105; G01V 3/107; G01V 3/108; G01V 3/12; G01V 3/14; G01V 3/15; G01V 3/16; G01V 3/165; G01V 3/17; G01V 3/175; G01V 3/18; G01V 3/20; G01V 3/22; G01V 3/24; G01V 3/26; G01V 3/265; G01V 3/28; G01V 3/30; G01V 3/32; G01V 3/34; G01V 3/36; G01V 3/38; G01V 3/40

See application file for complete search history.

(56) **References Cited**

**U.S. PATENT DOCUMENTS**

D386,102 S 11/1997 Manneschi  
8,842,035 B2 \* 9/2014 Duvoisin, III ..... G01S 13/885  
342/22

9,021,661 B2 \* 5/2015 Andel ..... G01V 3/15  
16/429  
D756,247 S \* 5/2016 Pollock ..... G01S 13/885  
D10/47  
9,664,809 B2 \* 5/2017 Fry ..... G01V 3/104  
9,733,353 B1 \* 8/2017 Carlson ..... G01S 13/885  
9,864,089 B2 \* 1/2018 Andel ..... F41H 11/136  
D844,462 S \* 4/2019 Griffin ..... D10/47  
D846,411 S \* 4/2019 Zhang ..... F41H 11/136  
D10/47

\* cited by examiner

*Primary Examiner* — Antoine Duval Davis

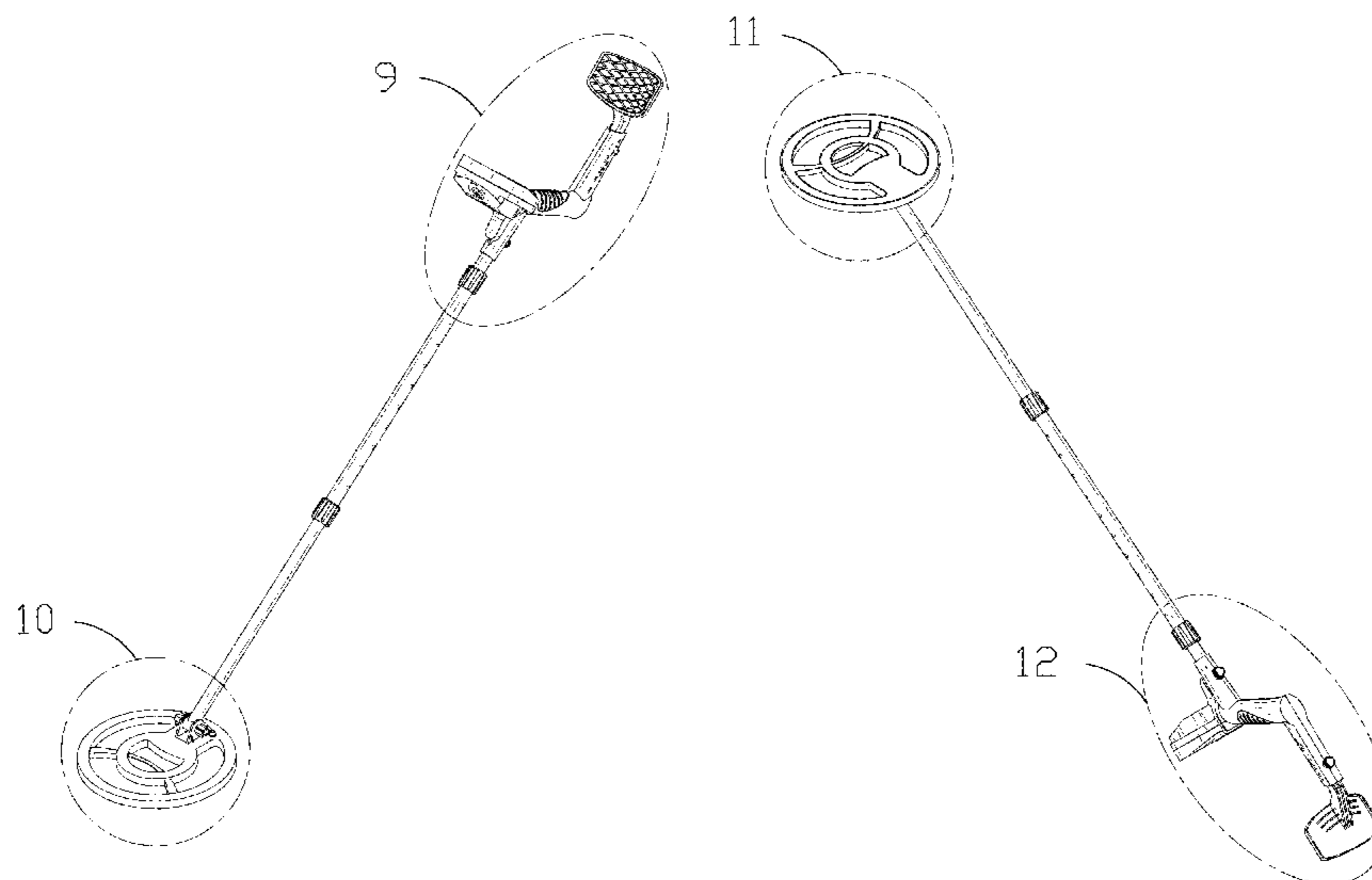
(57) **CLAIM**

The ornamental design for a detector for metal, as shown and described.

**DESCRIPTION**

FIG. 1 is a top perspective view of a detector for metal showing my new design;  
FIG. 2 is a bottom perspective view thereof;  
FIG. 3 is a front view thereof;  
FIG. 4 is a back view thereof;  
FIG. 5 is a left side view thereof;  
FIG. 6 is a right side view thereof;  
FIG. 7 is a top view thereof;  
FIG. 8 is a bottom view thereof;  
FIG. 9 is an enlarged view of a portion of the detector for metal indicated in FIG. 1;  
FIG. 10 is an enlarged view of a portion of the detector for metal indicated in FIG. 1;  
FIG. 11 is an enlarged view of a portion of the detector for metal indicated in FIG. 2; and,  
FIG. 12 is an enlarged view of a portion of the detector for metal indicated in FIG. 2.  
The broken lines in the figures illustrate portions of the detector for metal that form no part of the claimed design.

**1 Claim, 12 Drawing Sheets**



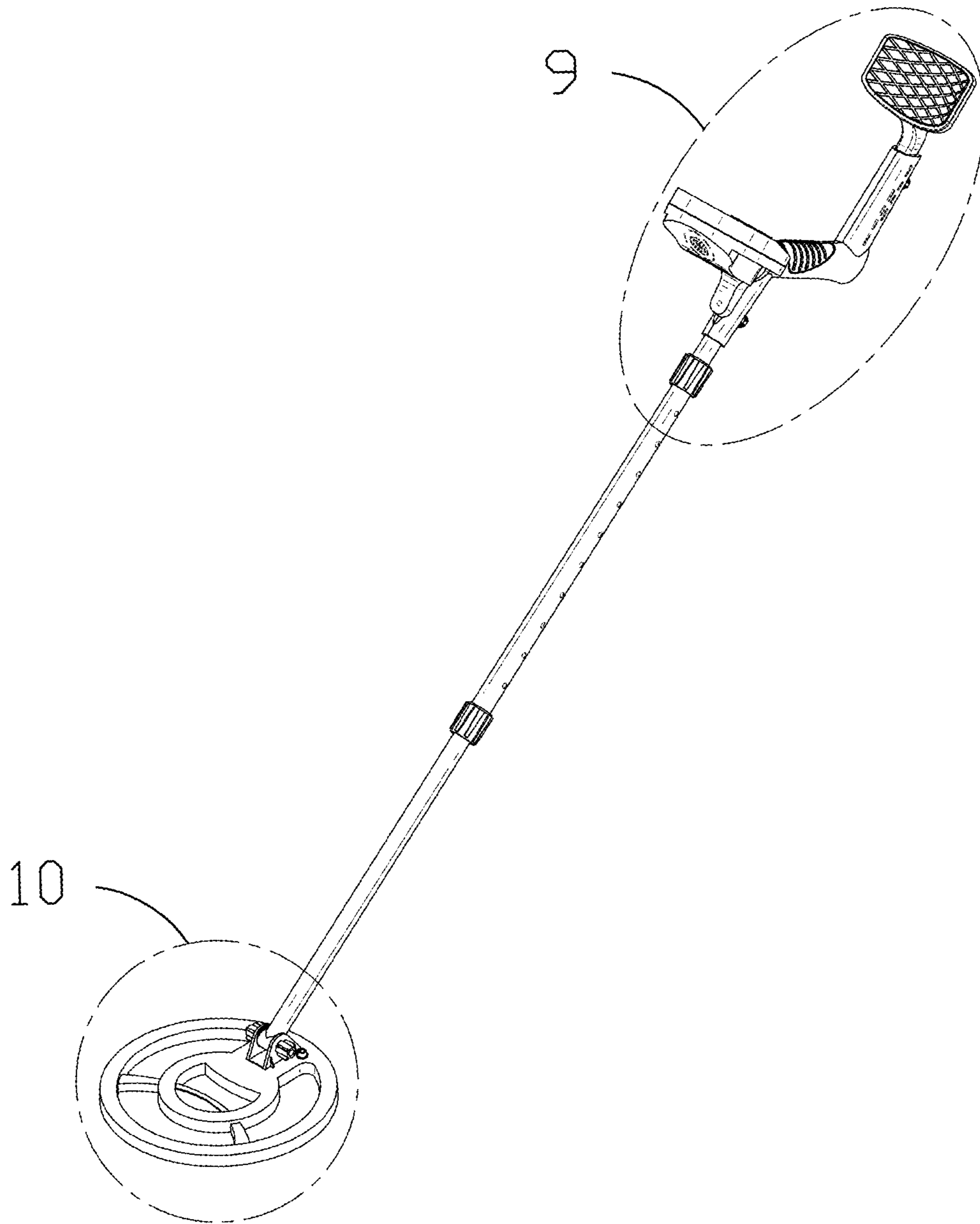


FIG. 1

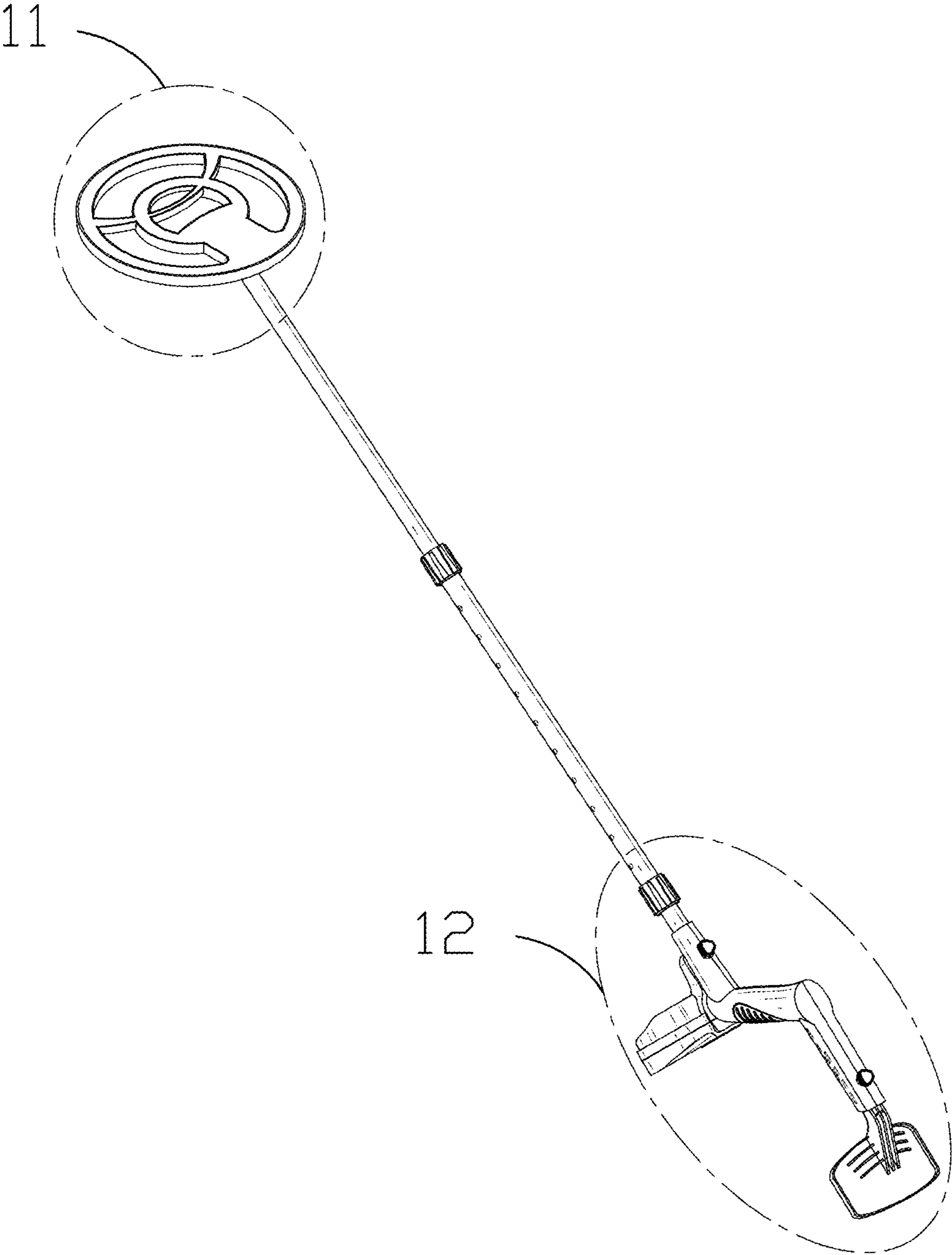


FIG. 2

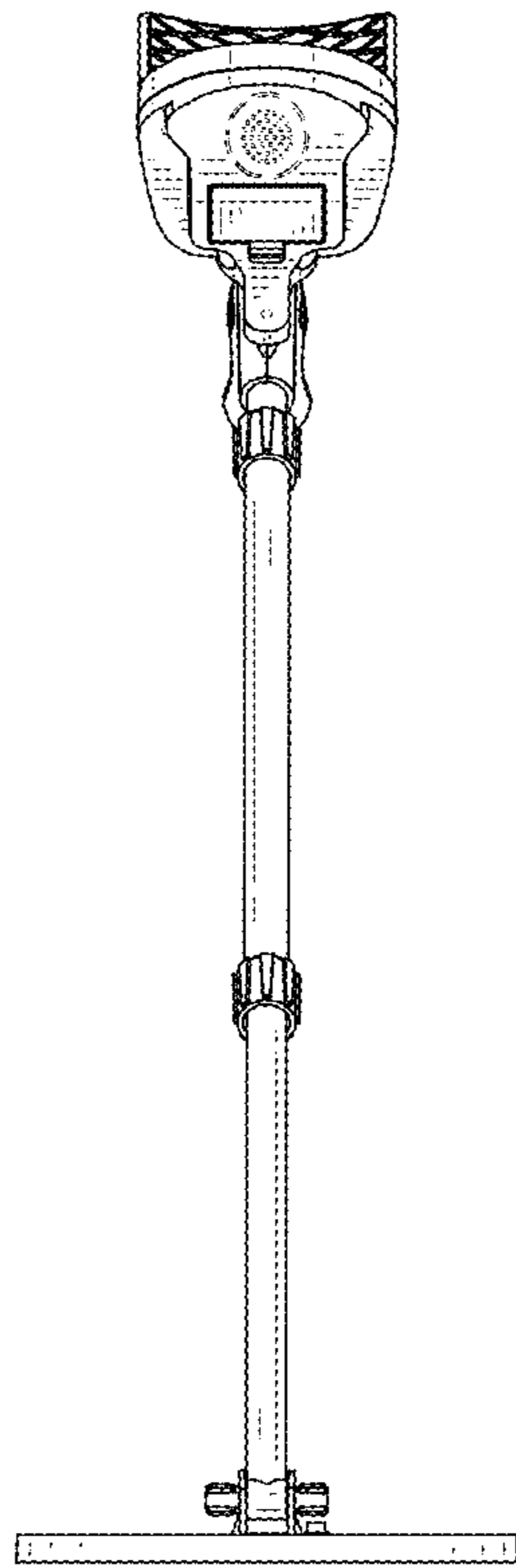


FIG. 3

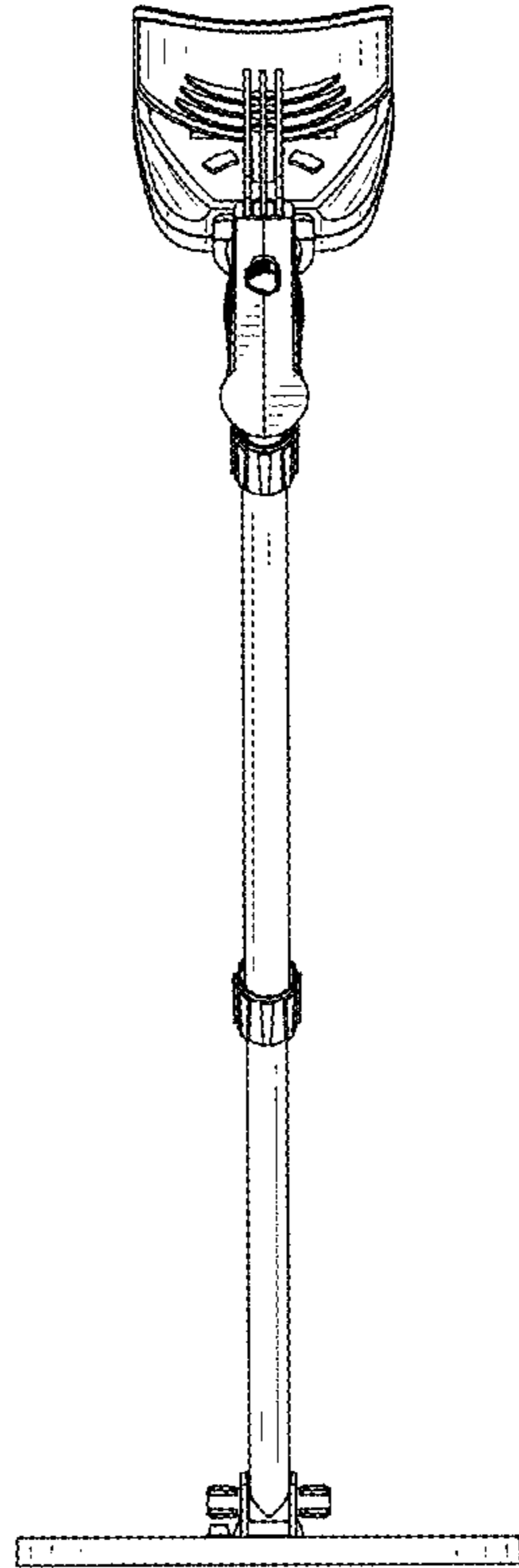


FIG. 4

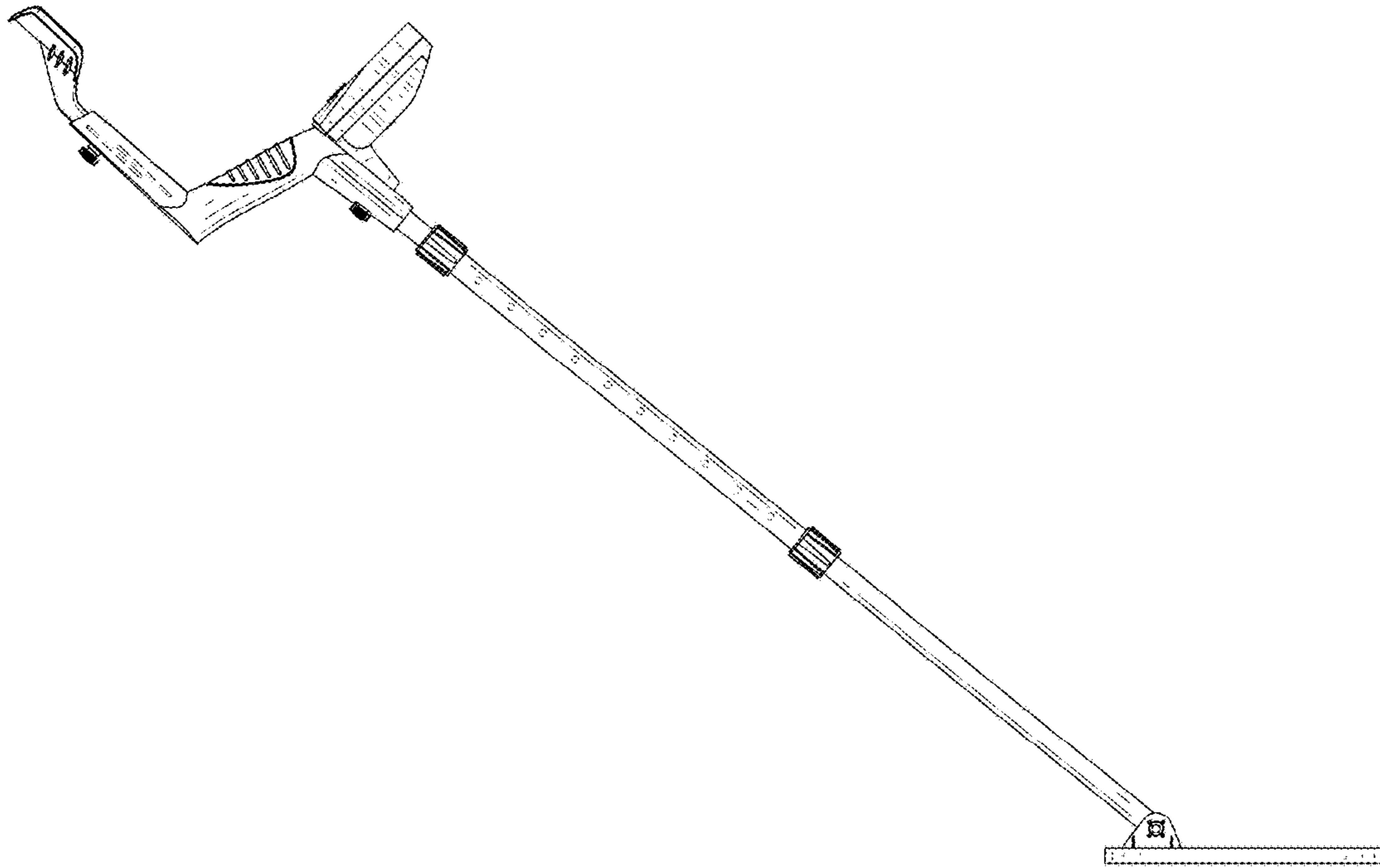


FIG. 5

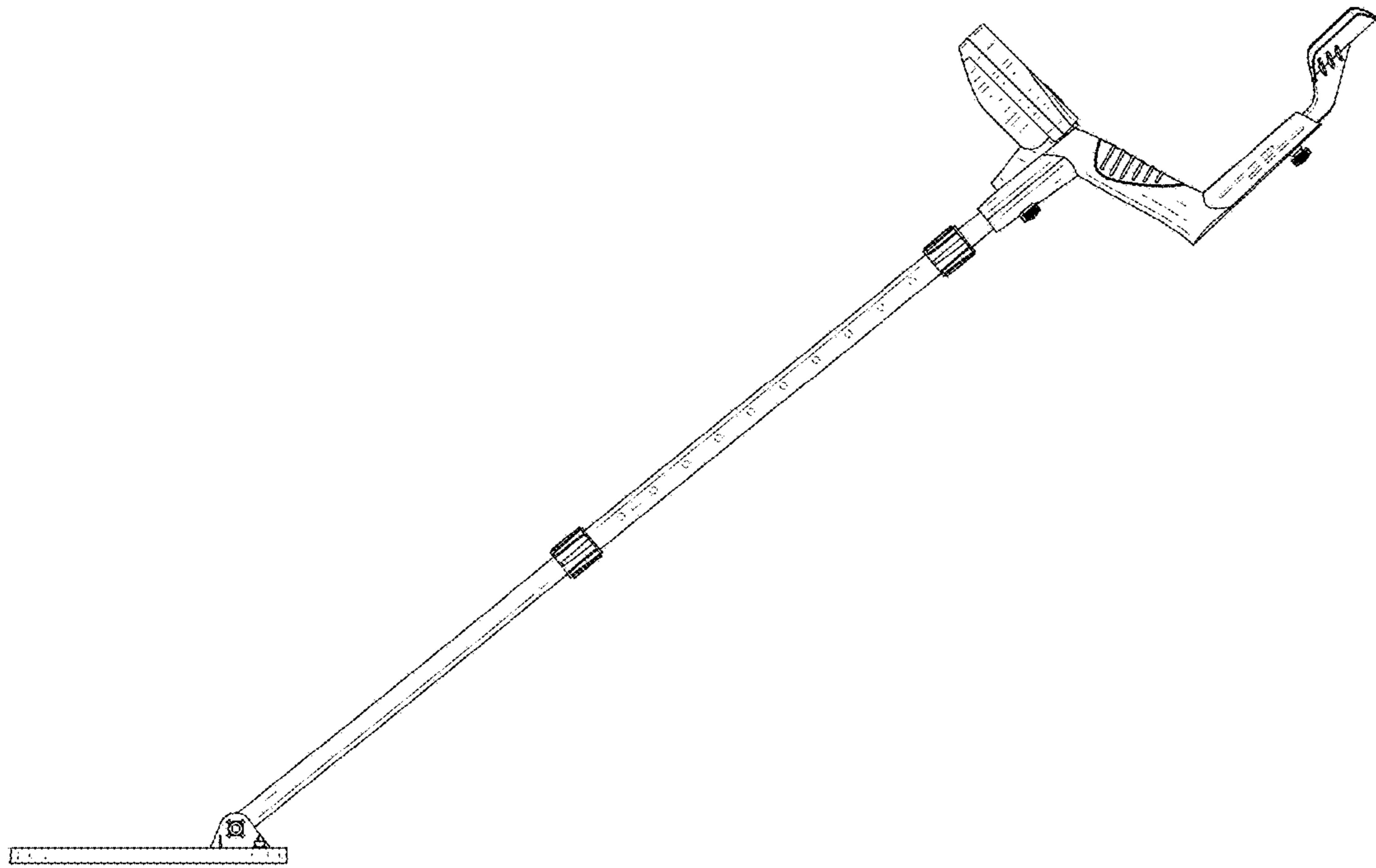


FIG. 6

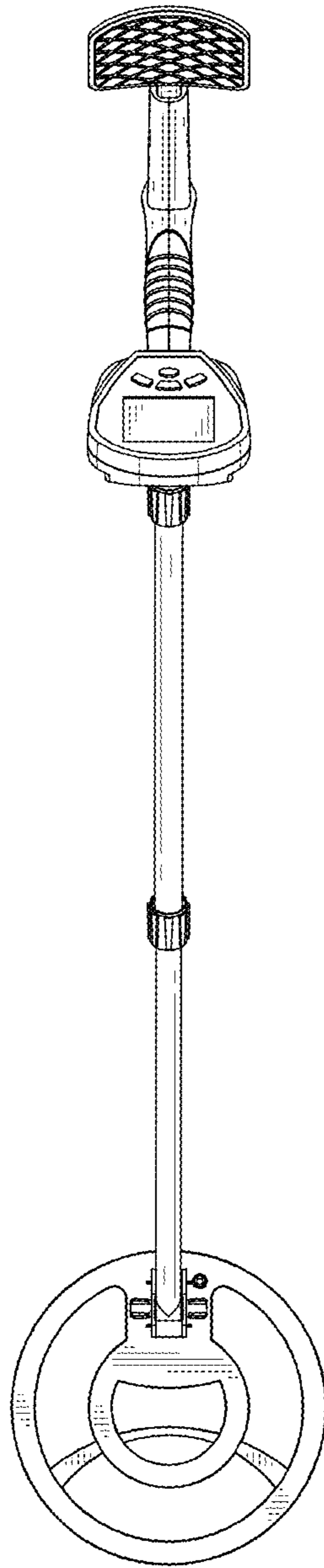


FIG. 7



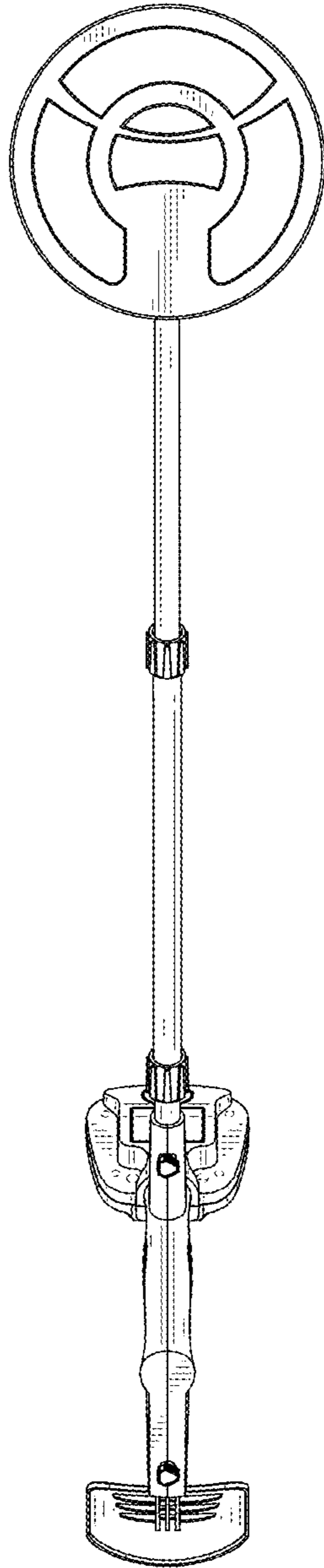


FIG. 8

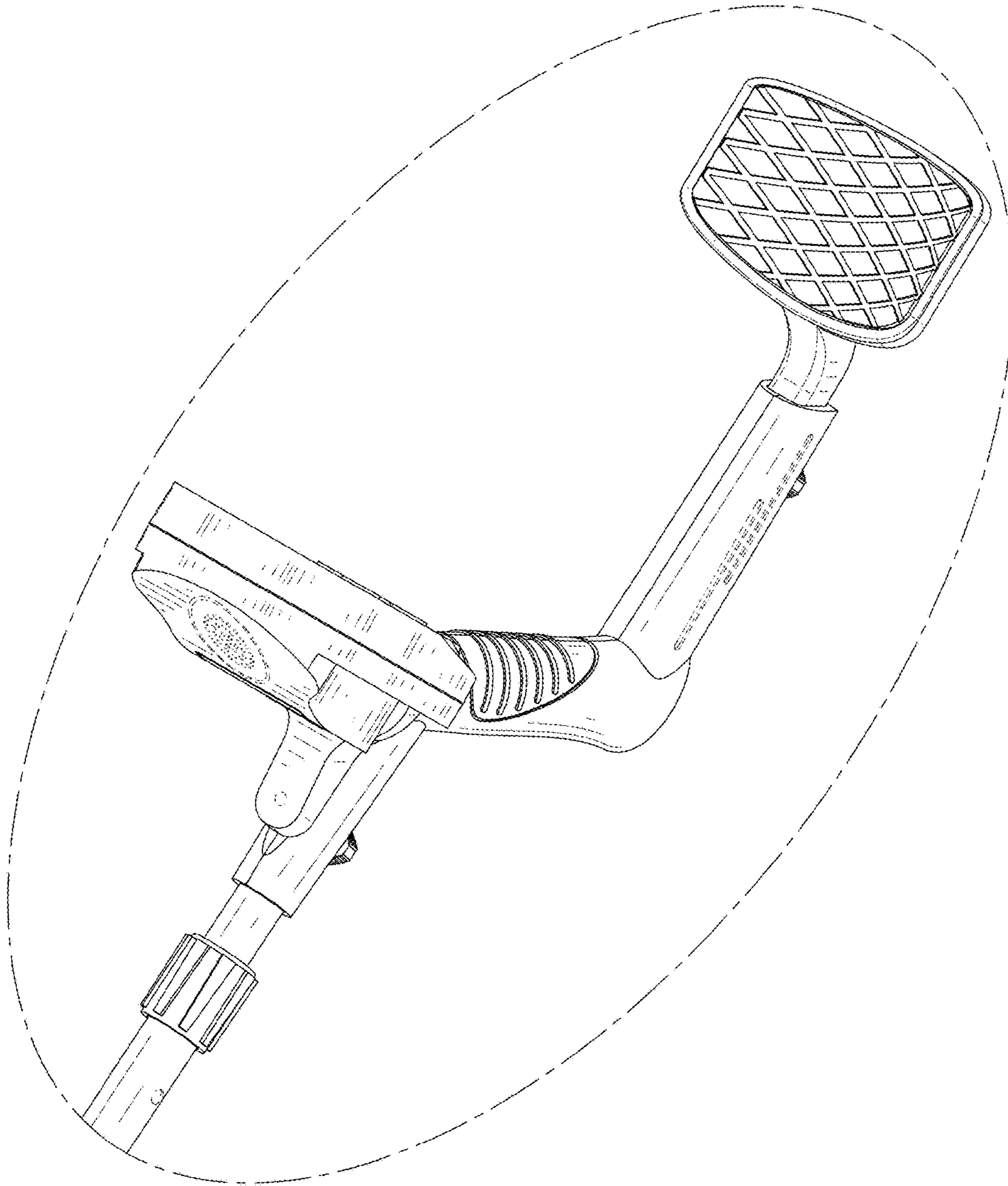


FIG. 9

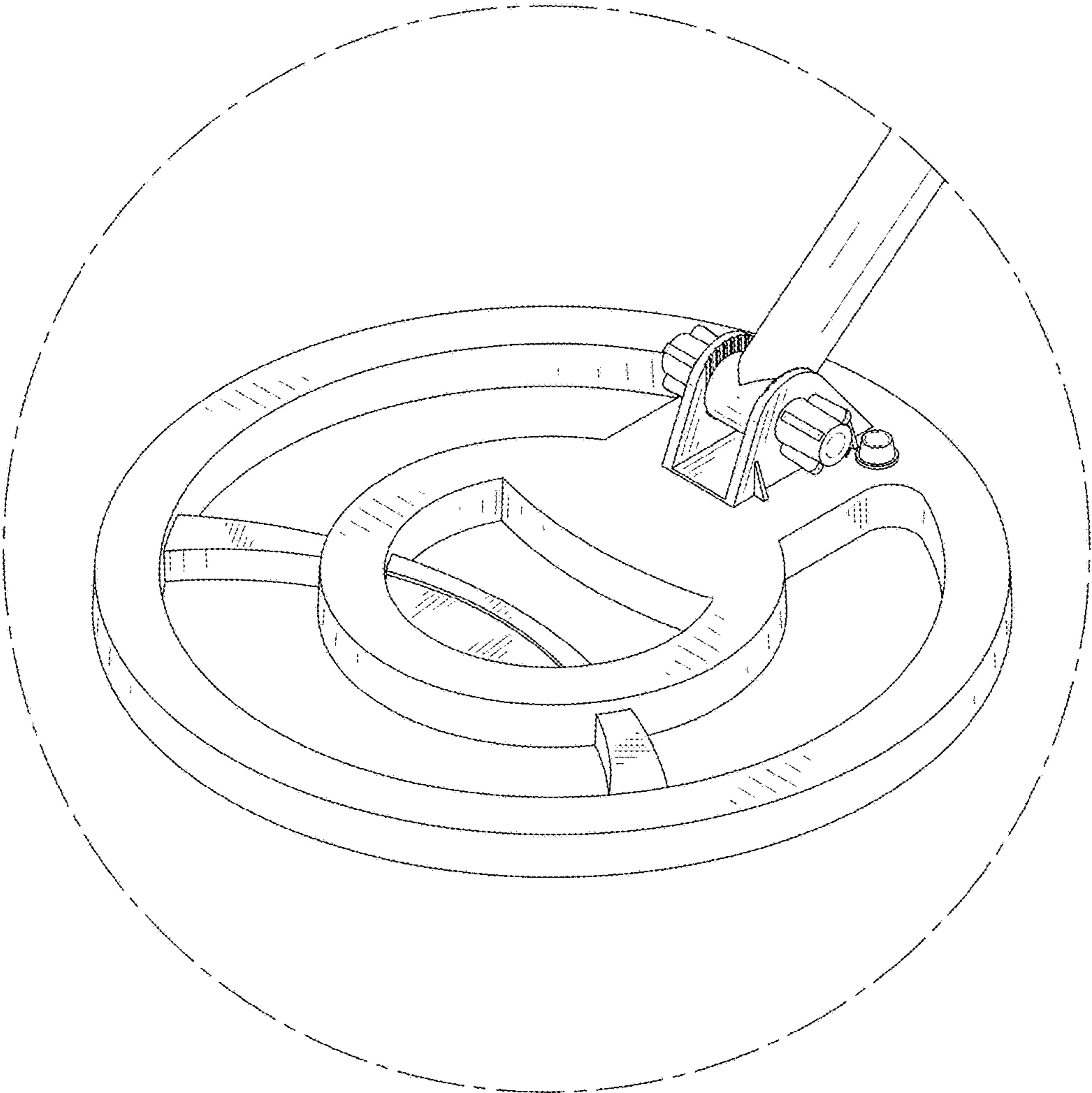


FIG. 10



FIG. 11

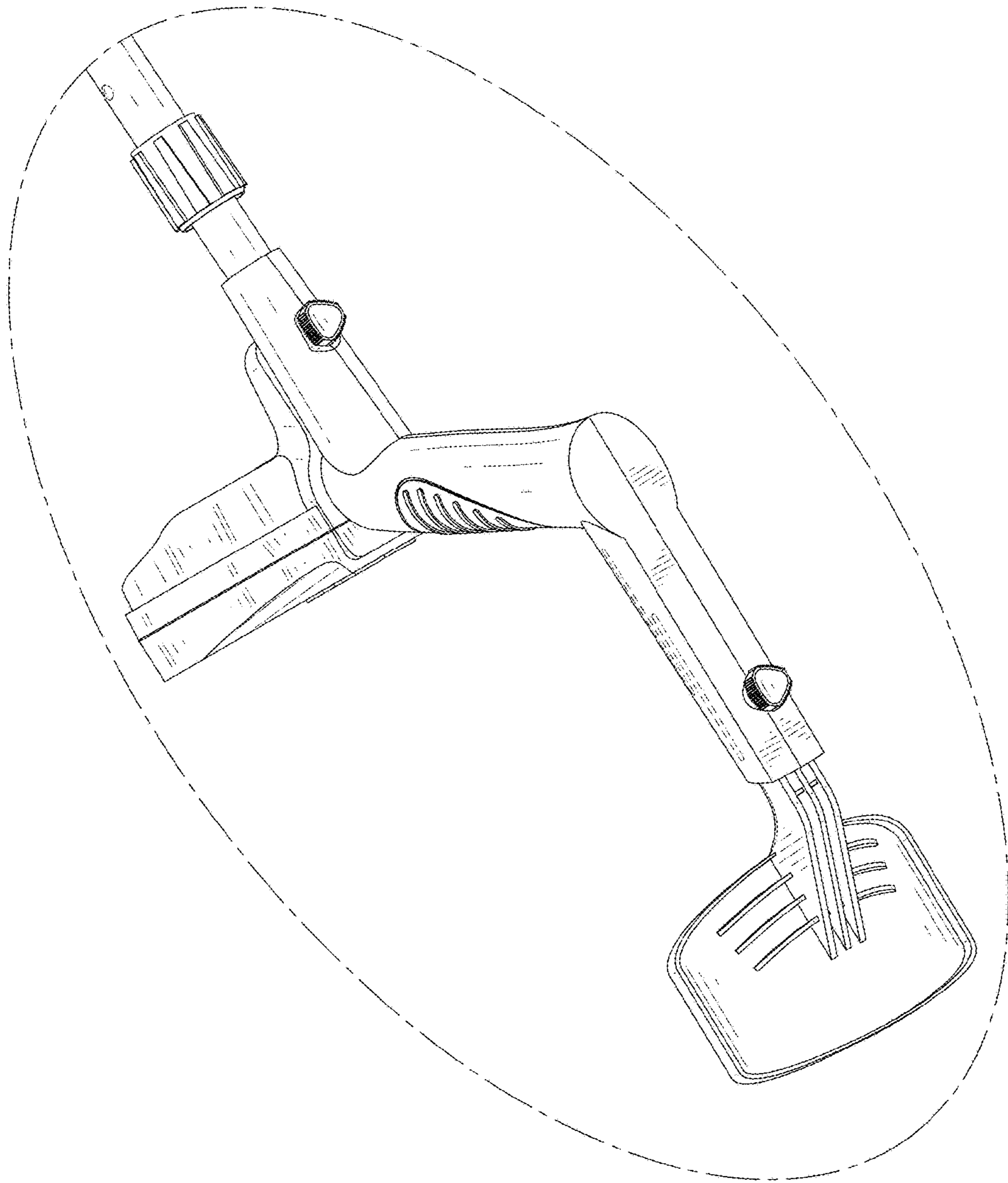


FIG. 12