

US00D867169S

(12) **United States Design Patent** (10) **Patent No.:** **US D867,169 S**
Barron (45) **Date of Patent:** **** Nov. 19, 2019**

(54) **RADIATION DETECTOR**

(71) Applicant: **H3D, Inc.**, Ann Arbor, MI (US)
 (72) Inventor: **David Barron**, Ann Arbor, MI (US)
 (73) Assignee: **H3D, Inc.**, Ann Arbor, MI (US)
 (**) Term: **15 Years**

(21) Appl. No.: **29/662,014**

(22) Filed: **Aug. 31, 2018**

(51) **LOC (12) Cl.** **10-04**

(52) **U.S. Cl.**
 USPC **D10/47**

(58) **Field of Classification Search**
 USPC D10/47, 78
 CPC ... G01V 3/00; G01V 3/02; G01V 3/04; G01V 3/06; G01V 3/08; G01V 3/081; G01V 3/082; G01V 3/083; G01V 2003/084; G01V 2003/085; G01V 2003/086; G01V 3/087; G01V 3/088; G01V 3/10; G01V 3/101; G01V 3/102; G01V 3/104; G01V 3/105; G01V 3/107; G01V 3/108; G01V 3/12; G01V 3/14; G01V 3/15; G01V 3/16; G01V 3/165; G01V 3/17; G01V 3/175; G01V 3/18; G01V 3/20; G01V 3/22; G01V 3/24; G01V 3/26; G01V 3/265; G01V 3/28; G01V 3/30; G01V 3/32; G01V 3/34; G01V 3/36; G01V 3/38; G01V 3/40

See application file for complete search history.

(56) **References Cited**

U.S. PATENT DOCUMENTS

D162,750 S * 4/1951 Polye et al. D10/47
 D264,317 S * 5/1982 Tanzman D10/47
 5,231,355 A * 7/1993 Rider G01V 3/08
 324/326
 6,496,008 B1 * 12/2002 Brune E21B 47/024
 324/326
 D684,871 S * 6/2013 Lintner D10/47
 9,194,950 B2 * 11/2015 Watts G01V 3/08
 9,664,808 B2 * 5/2017 Nguyen G01V 3/10

* cited by examiner

Primary Examiner — Antoine Duval Davis
 (74) *Attorney, Agent, or Firm* — Quinn IP Law

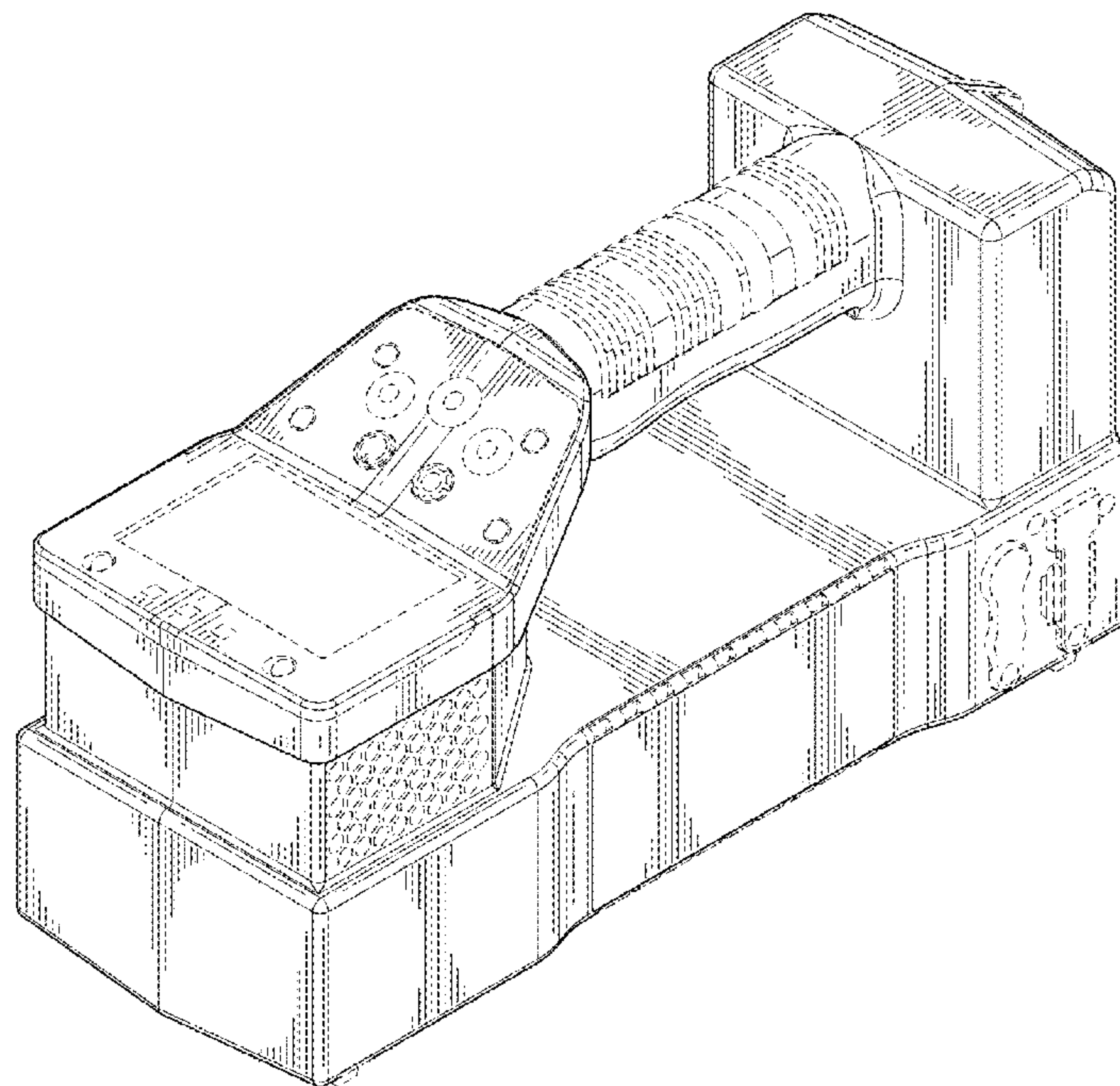
(57) **CLAIM**

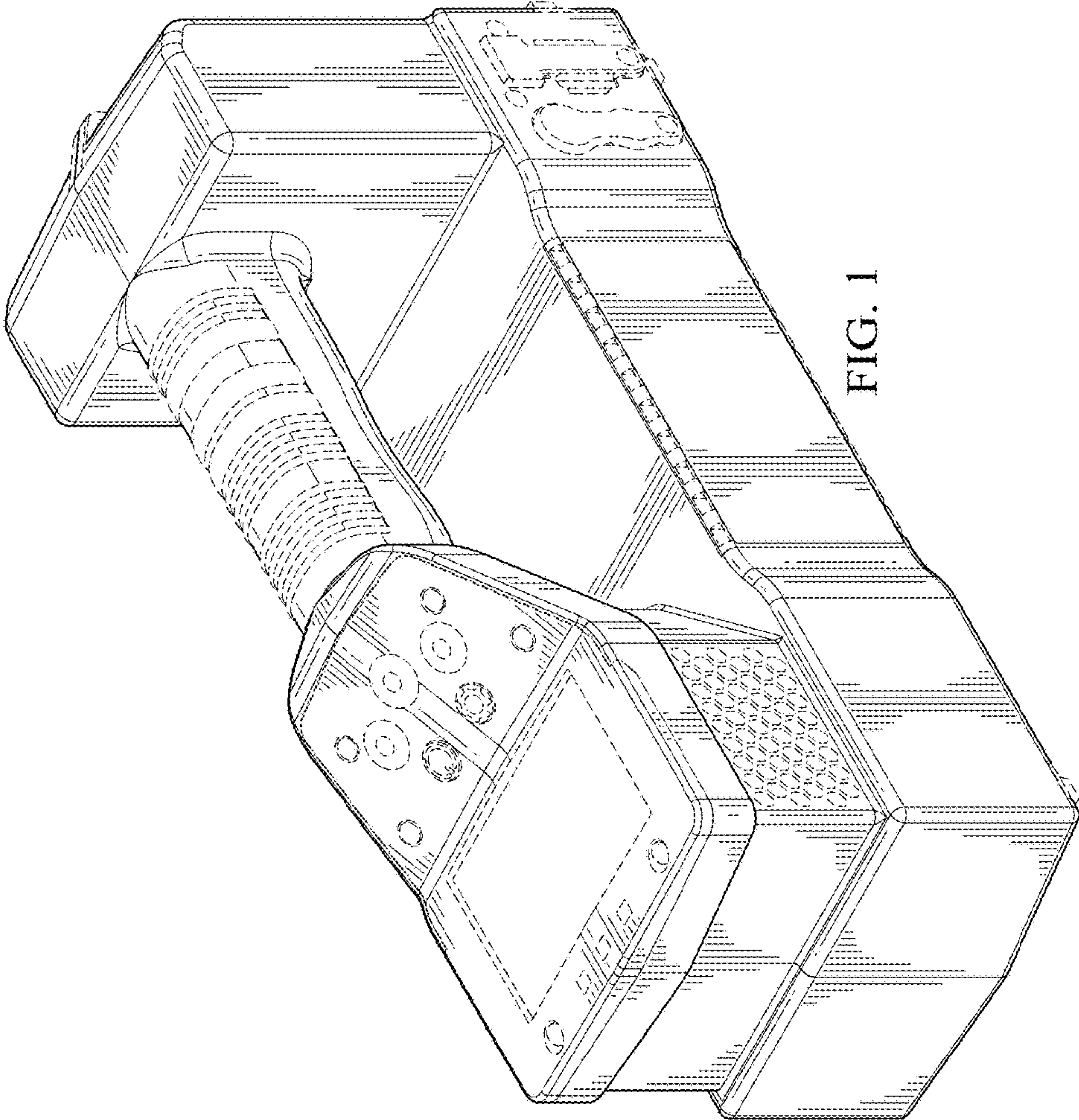
The ornamental design for a radiation detector, as shown and described.

DESCRIPTION

FIG. 1 is a front perspective view of a radiation detector; FIG. 2 is a front elevation view of the radiation detector of FIG. 1; FIG. 3 is a rear elevation view of the radiation detector of FIG. 1; FIG. 4 is a right side view of the radiation detector of FIG. 1; FIG. 5 is a left side view of the radiation detector of FIG. 1; FIG. 6 is a top view of the radiation detector of FIG. 1; and, FIG. 7 is a bottom view of the radiation detector of FIG. 1. The broken lines represent structure or features that form no part of the claimed design.

1 Claim, 6 Drawing Sheets





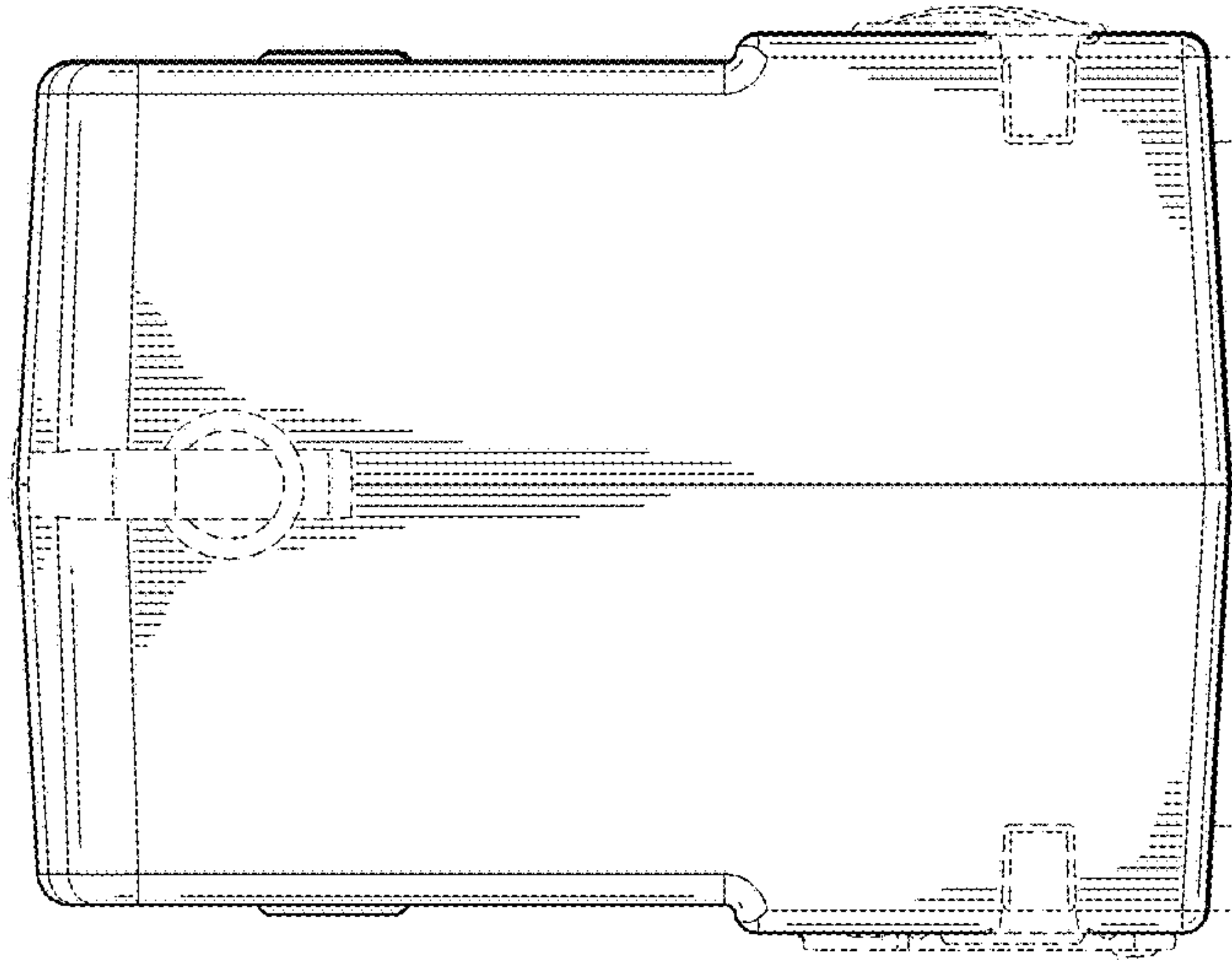


FIG. 3

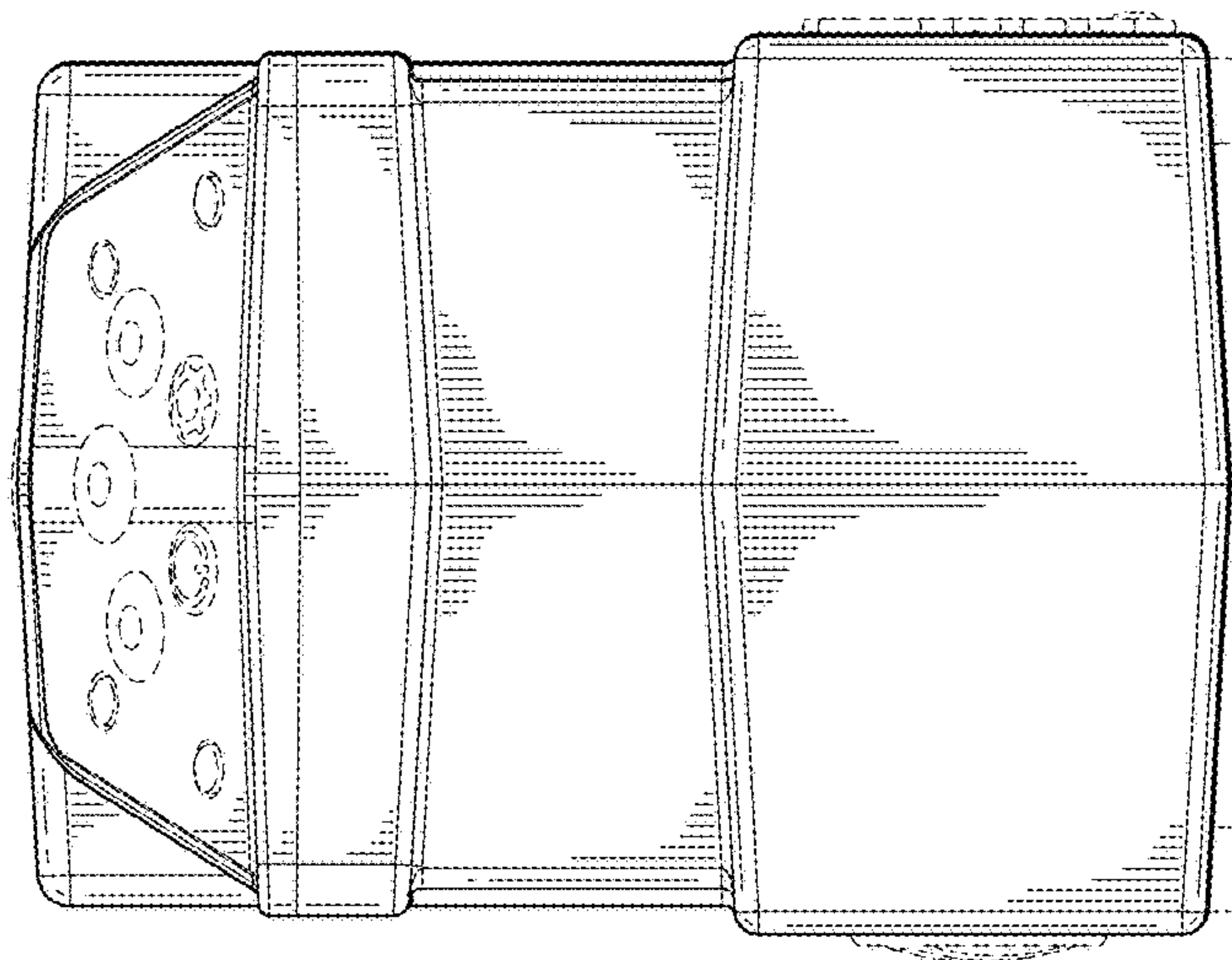


FIG. 2

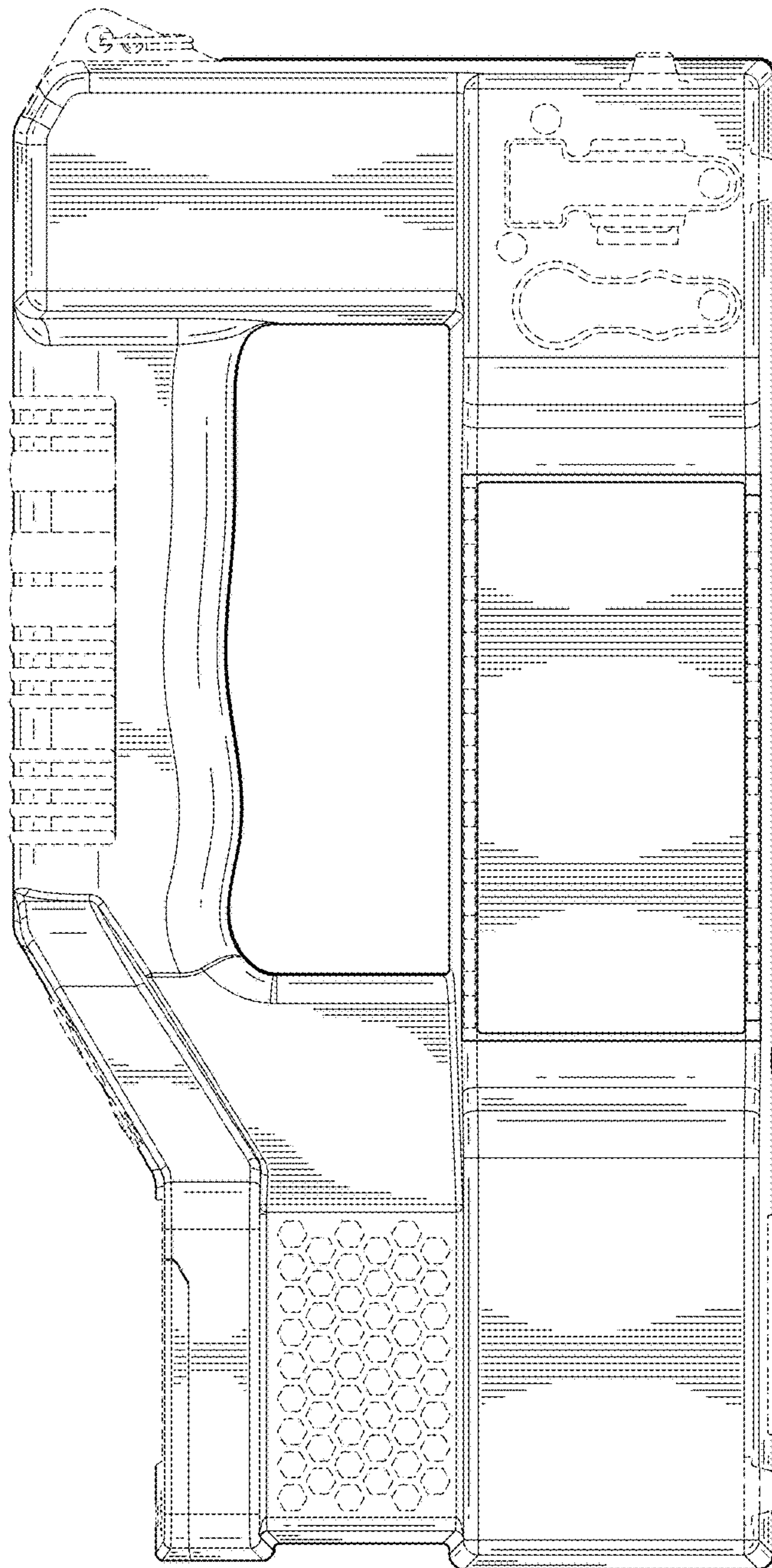


FIG. 4

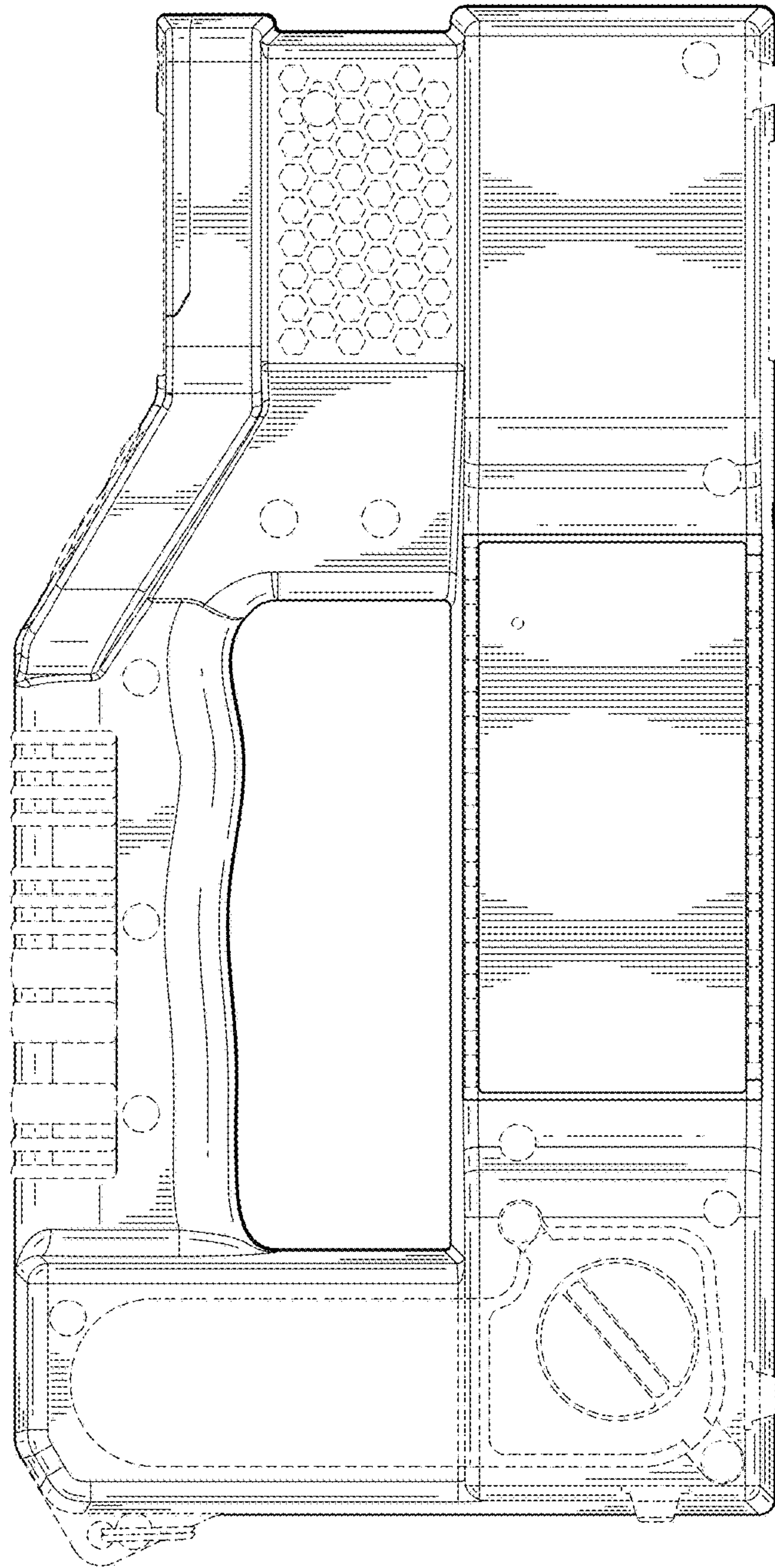


FIG. 5

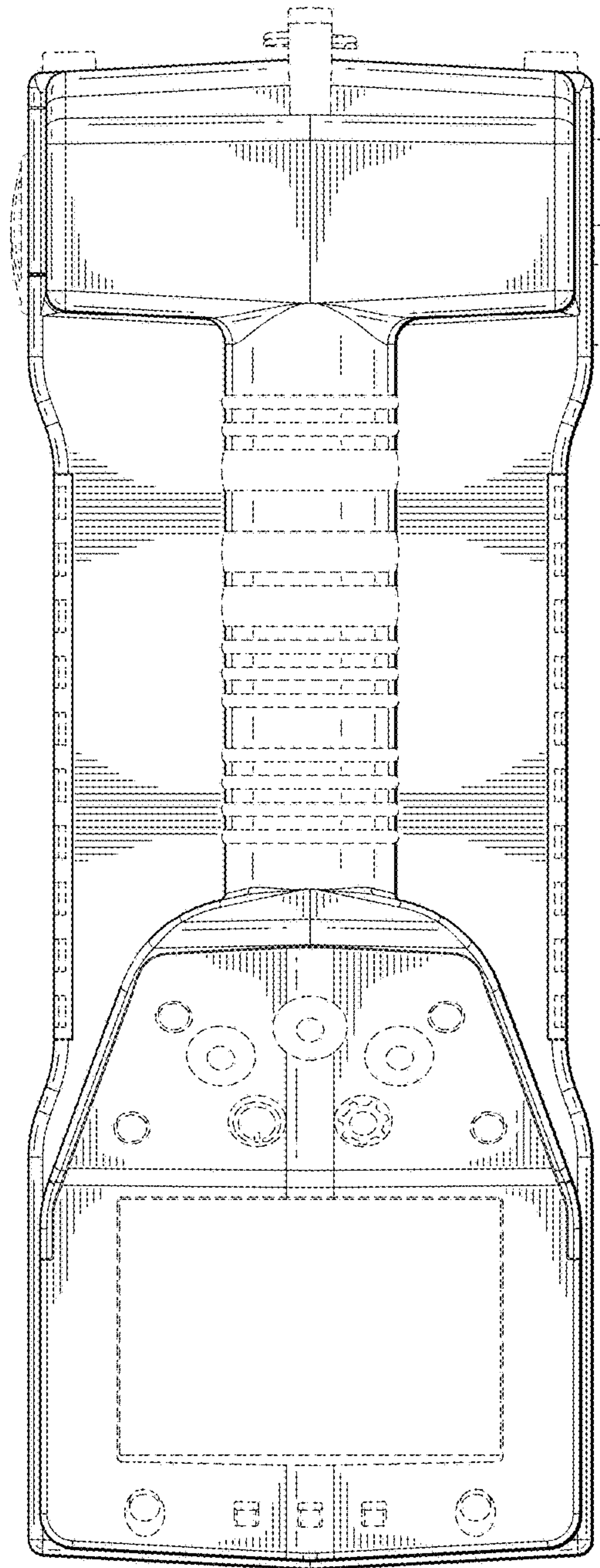


FIG. 6

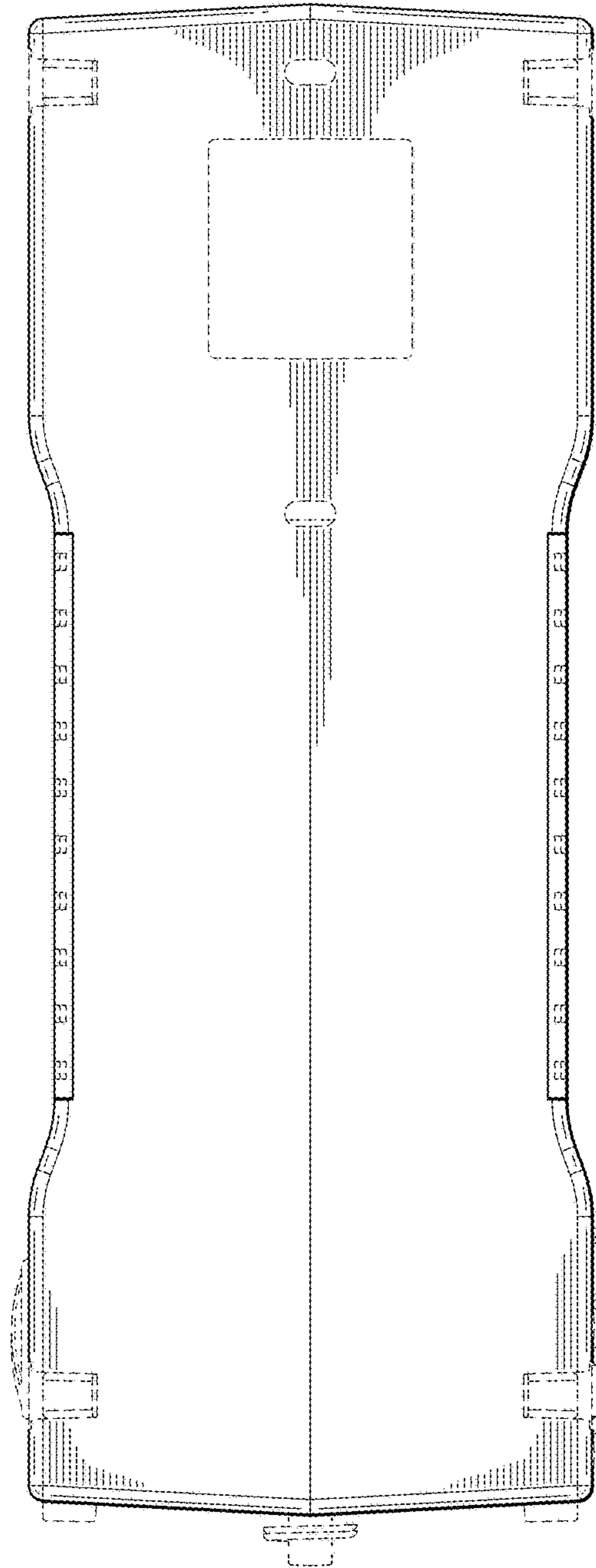


FIG. 7