



US00D867168S

(12) **United States Design Patent** (10) **Patent No.:** **US D867,168 S**
Griffin (45) **Date of Patent:** **** Nov. 19, 2019**

(54) **PINPOINTER METAL DETECTOR**

D583,261 S * 12/2008 Johnson D10/47
D663,634 S * 7/2012 Townsend D10/47
D694,130 S * 11/2013 Manneschi D10/47

(71) Applicant: **FIRST TEXAS PRODUCTS, LLC**, El Paso, TX (US)

(Continued)

(72) Inventor: **John Griffin**, Las Cruces, NM (US)

Primary Examiner — Antoine Duval Davis

(73) Assignee: **FIRST TEXAS PRODUCTS, L.P.**, El Paso, TX (US)

(74) *Attorney, Agent, or Firm* — Westerman, Hattori, Daniels & Adrian, LLP; Stephen B. Parker

(**) Term: **15 Years**

(57) **CLAIM**

(21) Appl. No.: **29/656,738**

The ornamental design for a pinpointer metal detector, as shown and described.

(22) Filed: **Jul. 16, 2018**

DESCRIPTION

(51) **LOC (12) Cl.** **10-04**

(52) **U.S. Cl.**
USPC **D10/47**

(58) **Field of Classification Search**
USPC D10/47
CPC ... G01V 3/00; G01V 3/02; G01V 3/04; G01V 3/06; G01V 3/08; G01V 3/081; G01V 3/082; G01V 3/083; G01V 2003/084; G01V 2003/085; G01V 2003/086; G01V 3/087; G01V 3/088; G01V 3/10; G01V 3/101; G01V 3/102; G01V 3/104; G01V 3/105; G01V 3/107; G01V 3/108; G01V 3/12; G01V 3/14; G01V 3/15; G01V 3/16; G01V 3/165; G01V 3/17; G01V 3/175; G01V 3/18; G01V 3/20; G01V 3/22; G01V 3/24; G01V 3/26; G01V 3/265; G01V 3/28; G01V 3/30; G01V 3/32; G01V 3/34; G01V 3/36; G01V 3/38; G01V 3/40

See application file for complete search history.

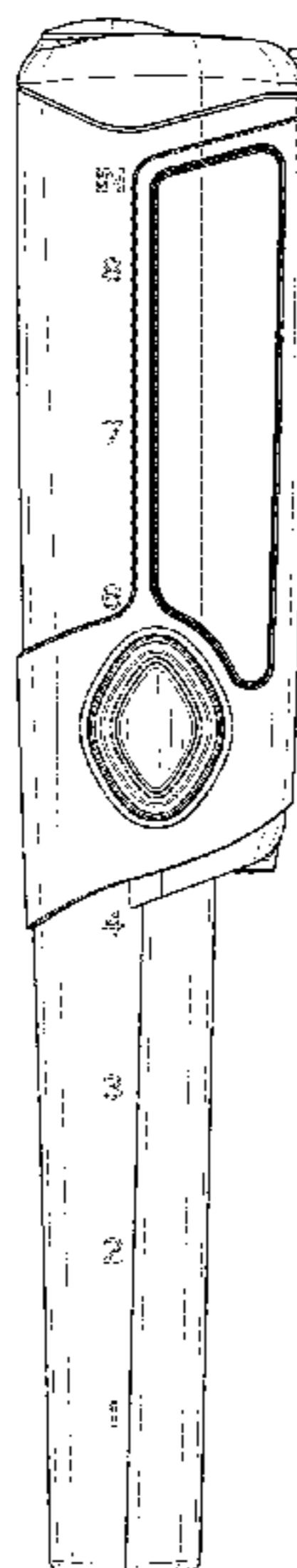
FIG. 1 is a front view of a pinpointer metal detector according to one embodiment of the present design; FIG. 2 is a rear view of the pinpointer metal detector shown in FIG. 1; FIG. 3 is a right side view of the pinpointer metal detector shown in FIG. 1 from the right side of FIG. 1; FIG. 4 is a left side view of the pinpointer metal detector shown in FIG. 1 from the left side of FIG. 1; FIG. 5 is a bottom end view of the pinpointer metal detector shown in FIG. 1 from the bottom end of FIG. 1; FIG. 6 is a top end view of the pinpointer metal detector shown in FIG. 1 from the top end of FIG. 1; FIG. 7 is a front perspective view of the pinpointer metal detector shown in FIG. 1 from a top-left direction; FIG. 8 is a right side perspective view of the pinpointer metal detector shown in FIG. 1 front a top-front direction; FIG. 9 is a rear perspective view of the pinpointer metal detector shown in FIG. 1 from a rear-top direction; FIG. 10 is a right side perspective view of the pinpointer metal detector shown in FIG. 1 from a bottom-rear direction; and, FIG. 11 is a left side perspective view of the pinpointer metal detector shown in FIG. 1 from a bottom-rear direction. The broken lines in the figure illustrate unclaimed structure and do not constitute a part of the claimed design.

(56) **References Cited**

U.S. PATENT DOCUMENTS

D459,244 S * 6/2002 Rigby D10/47
D497,559 S * 10/2004 Johnson D10/47
D513,706 S * 1/2006 Johnson D10/47

1 Claim, 11 Drawing Sheets



(56)

References Cited

U.S. PATENT DOCUMENTS

D719,853 S * 12/2014 Manneschi D10/103
D796,971 S * 9/2017 Dubos D10/47

* cited by examiner

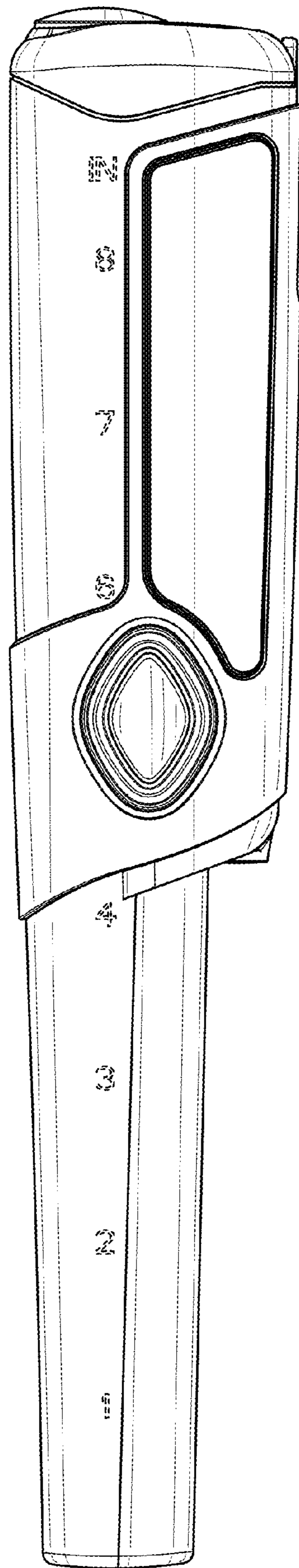


FIG. 1

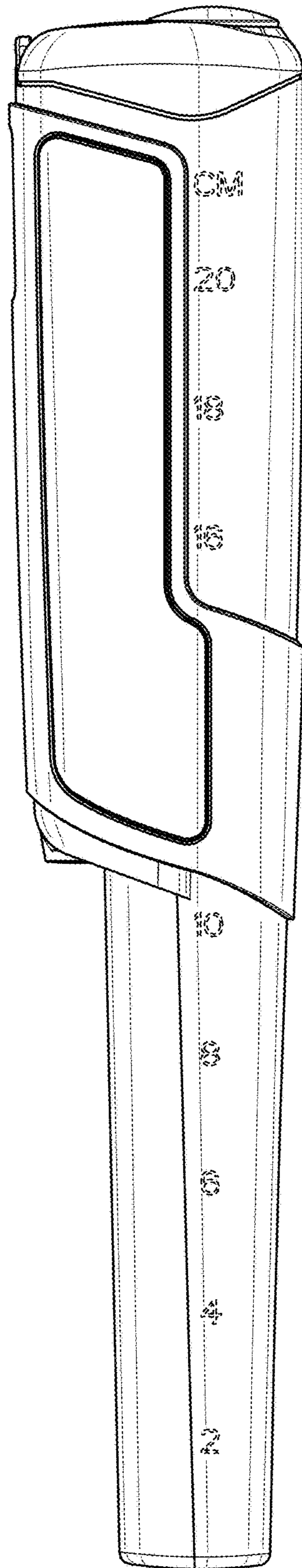


FIG. 2

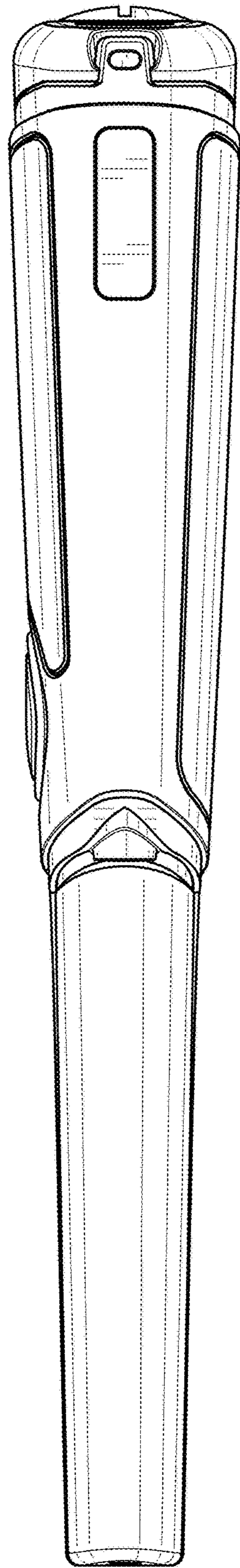


FIG. 3

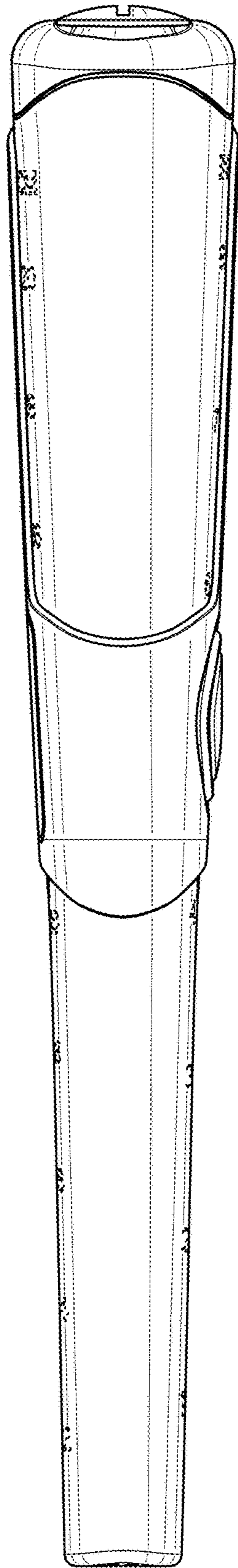


FIG. 4

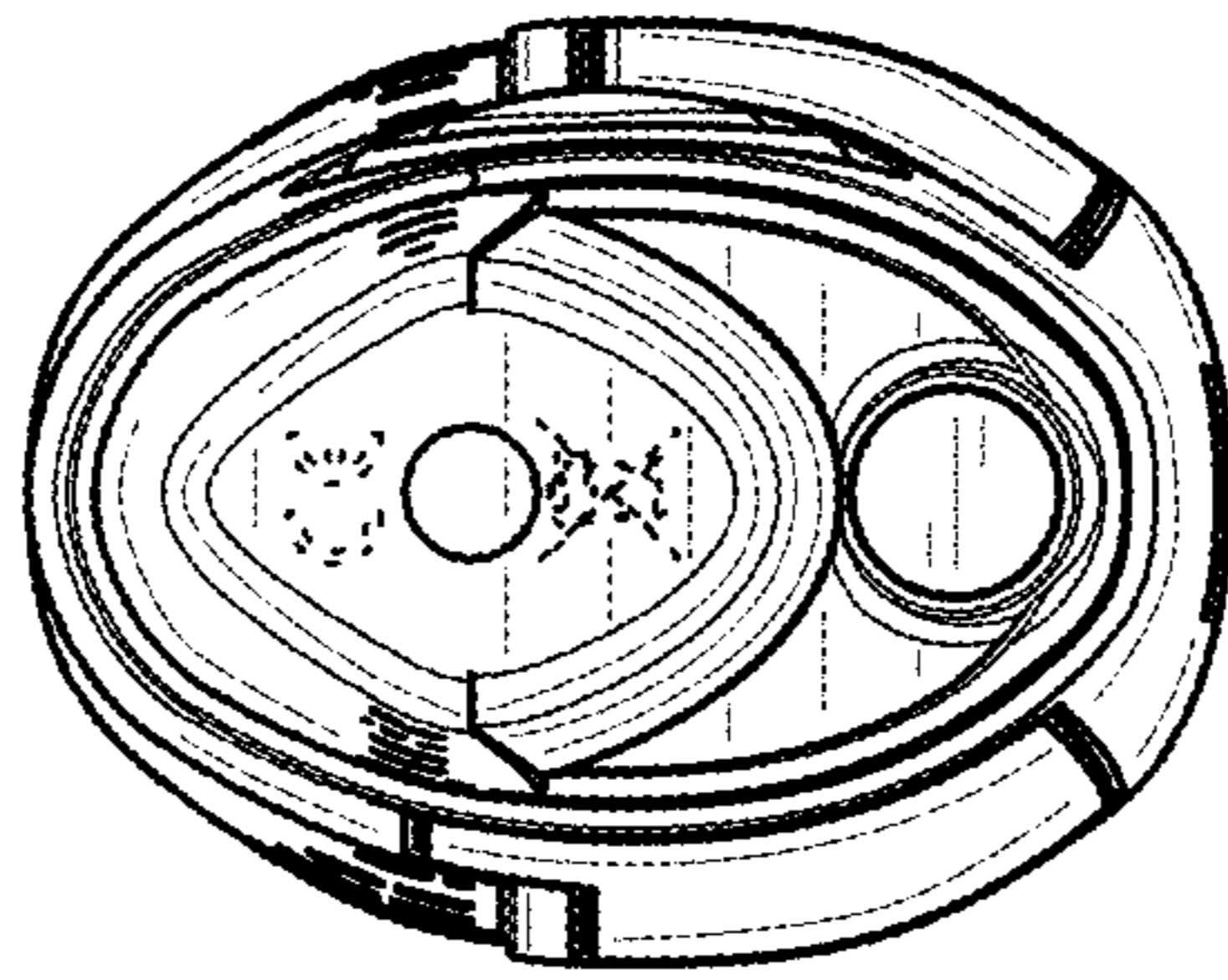


FIG. 5

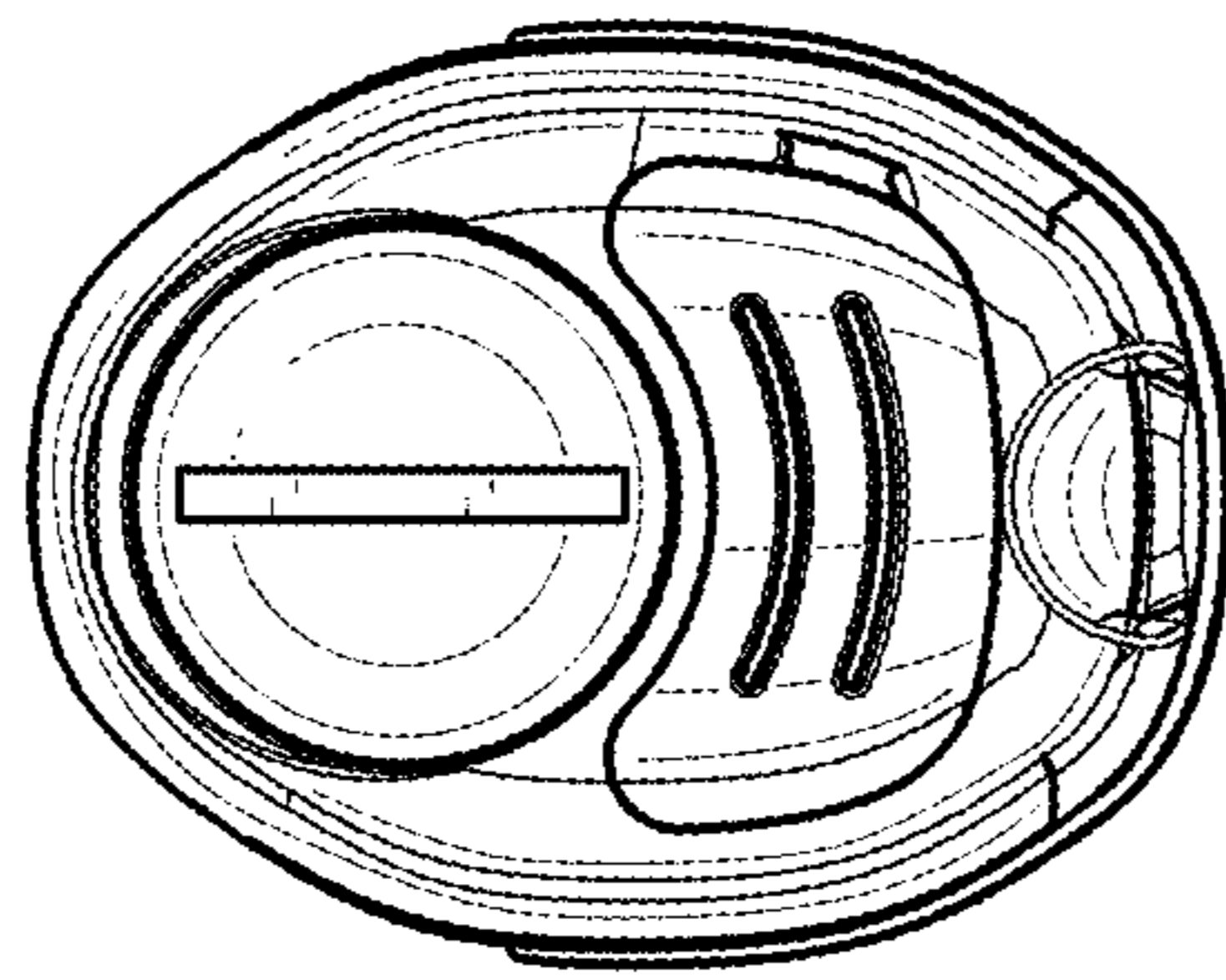


FIG. 6

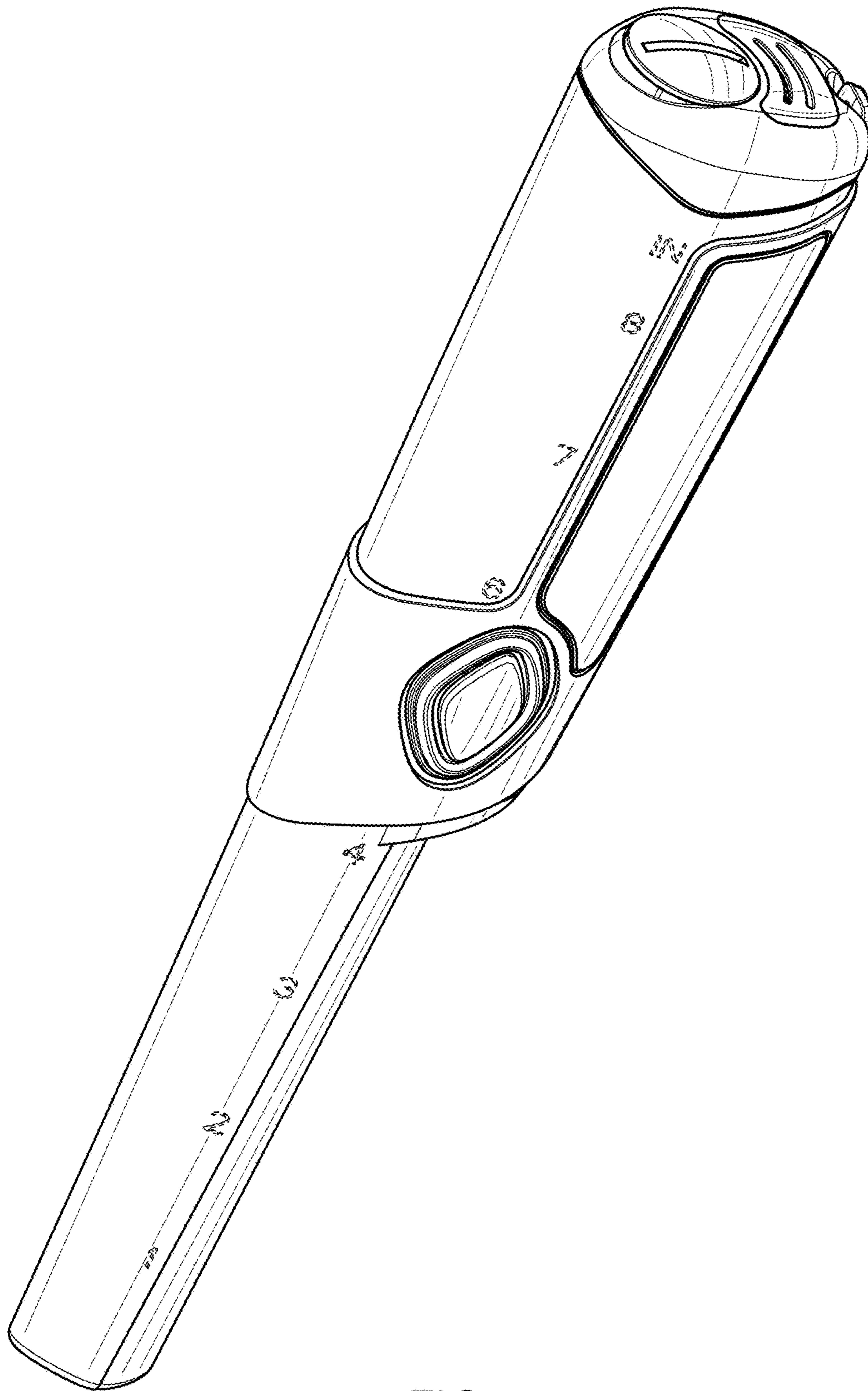


FIG. 7

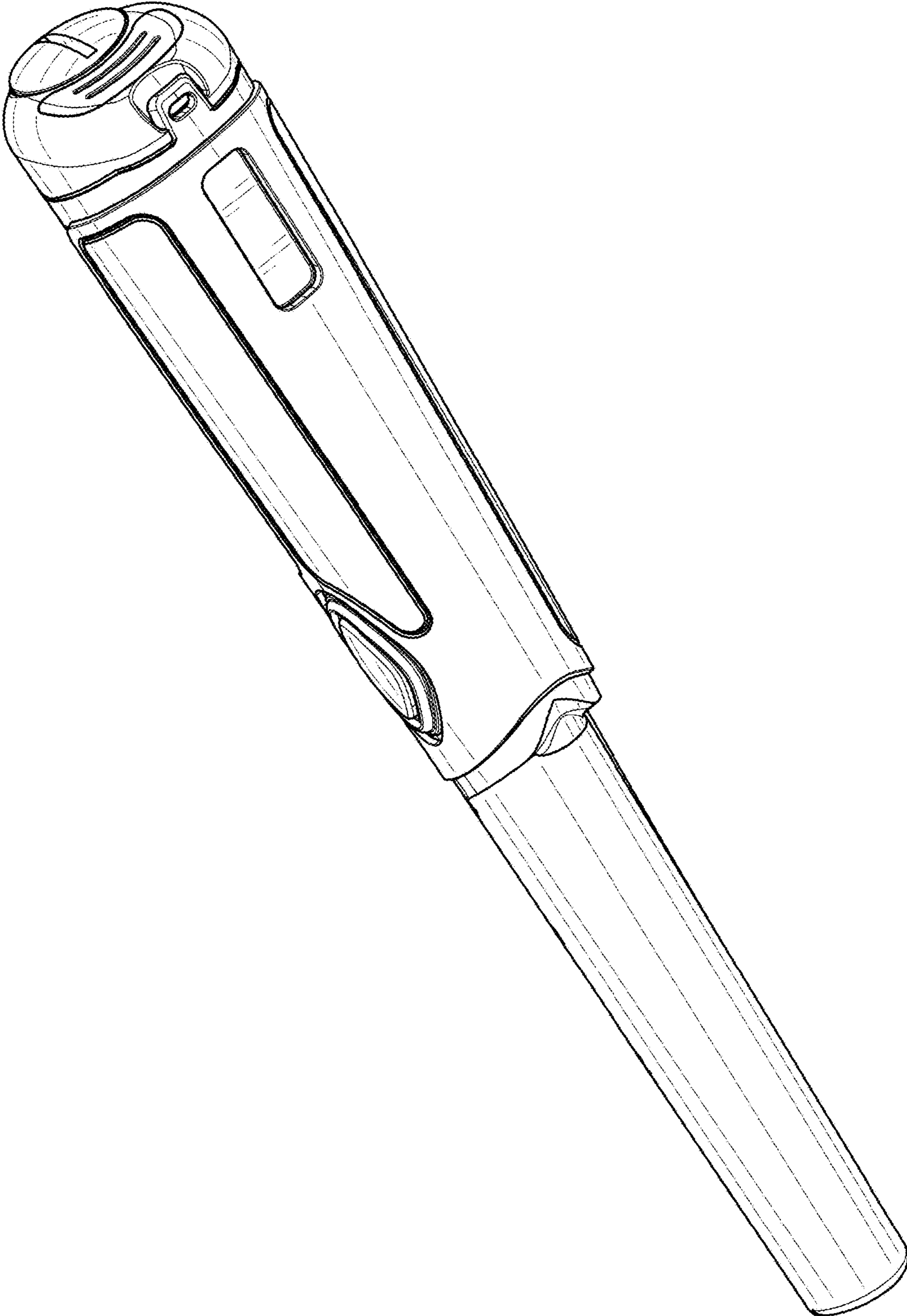


FIG. 8

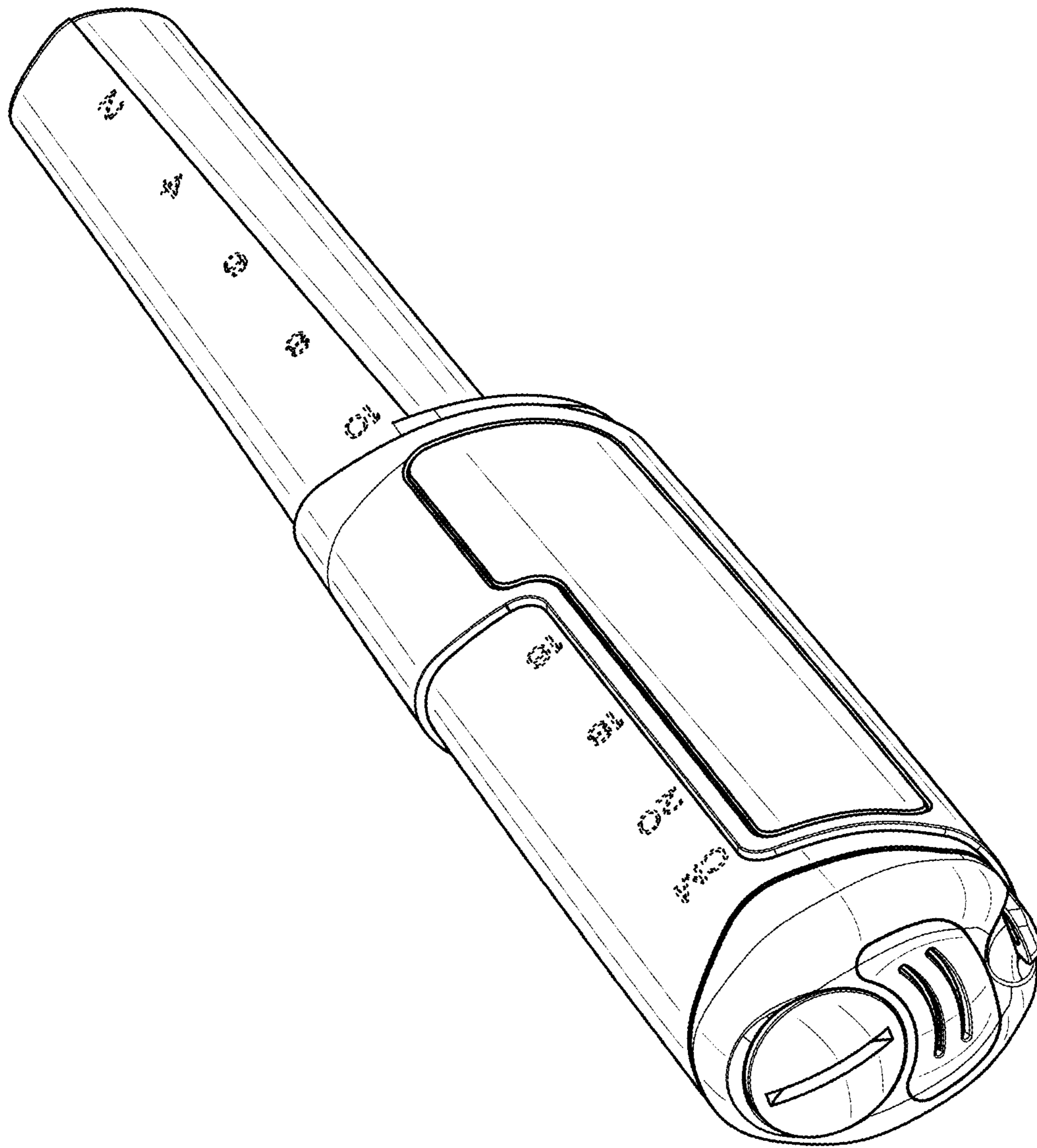


FIG. 9

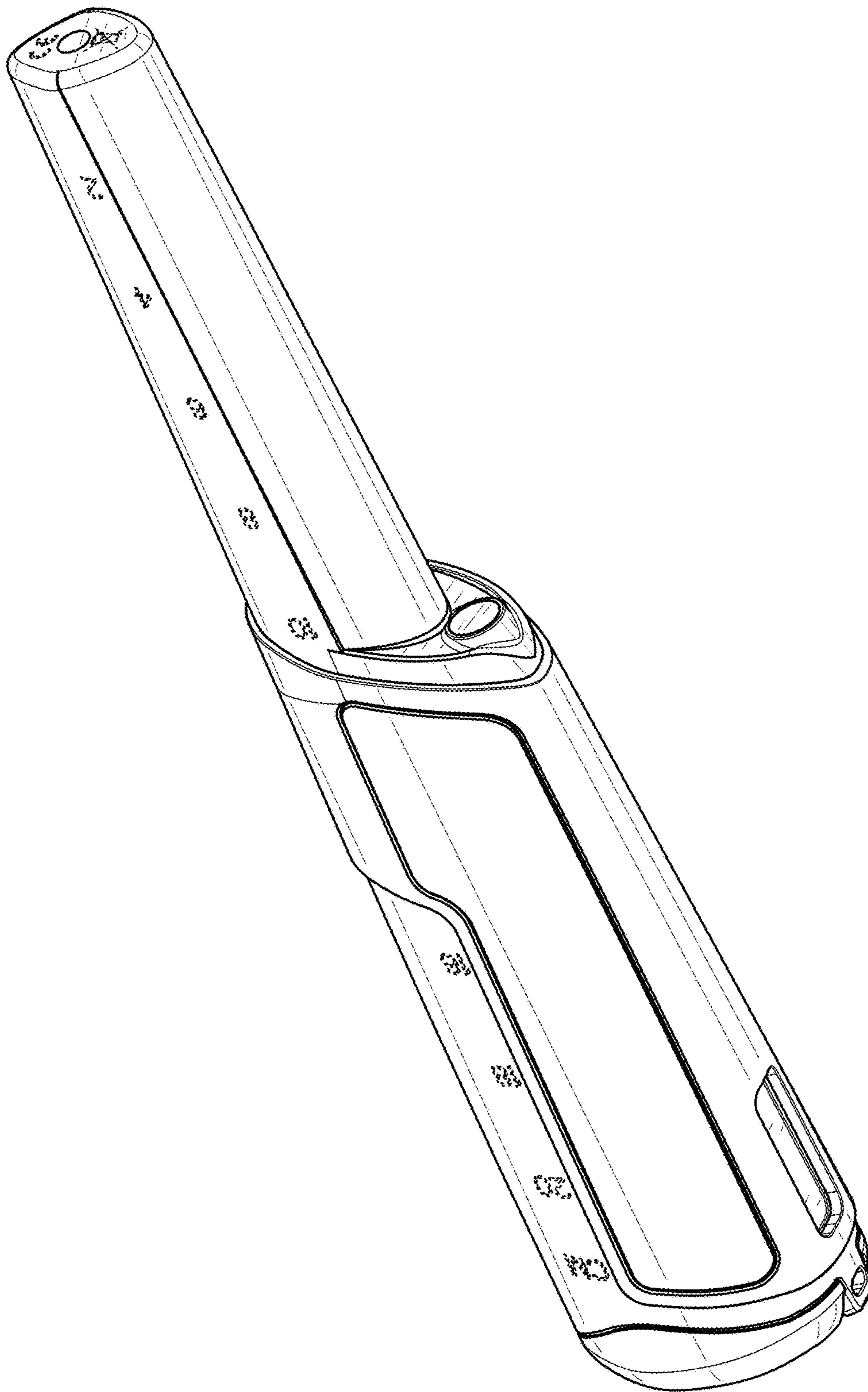


FIG. 10

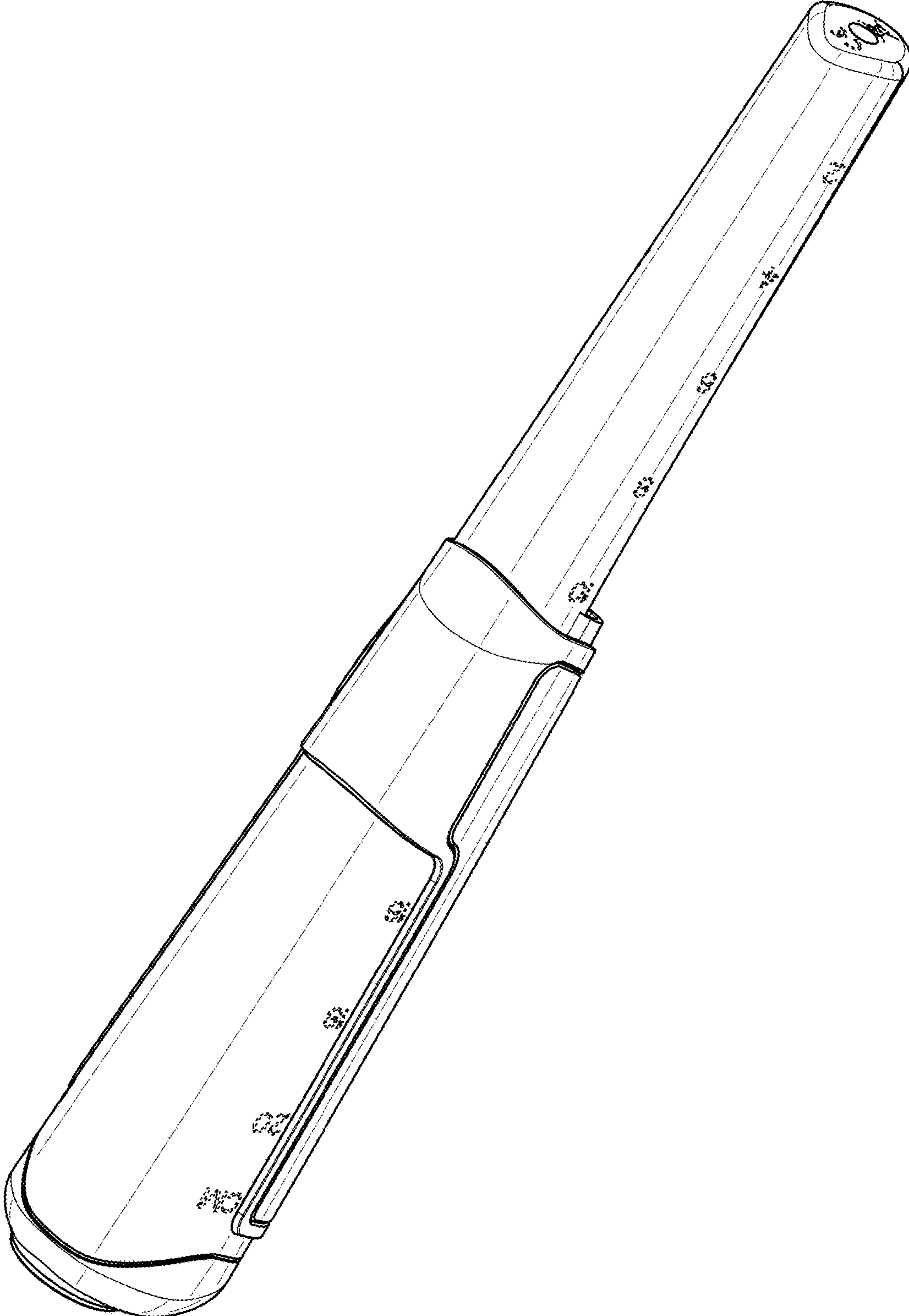


FIG. 11