

US00D867166S

(12) **United States Design Patent** (10) **Patent No.:** **US D867,166 S**
Cabral (45) **Date of Patent:** **** Nov. 19, 2019**

(54) **WATCH**
(71) Applicant: **Richemont International SA,**
Villars-sur-Glane (CH)
(72) Inventor: **Constanza Candamil Cabral,** Geneva
(CH)
(73) Assignee: **Richemont International SA,**
Villars-sur-Glane (CH)

D476,580 S * 7/2003 Calvani D10/30
D520,378 S * 5/2006 Miotto D10/30
D569,277 S * 5/2008 Chastaingt D10/39
D581,291 S * 11/2008 Hegi D10/38
D625,620 S * 10/2010 Chastaingt D10/39
D642,076 S * 7/2011 Chastaingt D10/39
D656,418 S * 3/2012 Scheufele D10/39
D670,575 S * 11/2012 Giannini D10/32
8,411,533 B2 * 4/2013 Mieville G04B 21/08
368/244
D682,121 S * 5/2013 Hegi D10/36
(Continued)

(**) Term: **15 Years**

(21) Appl. No.: **29/648,340**

(22) Filed: **May 21, 2018**

(30) **Foreign Application Priority Data**

Nov. 22, 2017 (WO) DM/098669

(51) **LOC (12) Cl.** **10-02**

(52) **U.S. Cl.**
USPC **D10/39**

(58) **Field of Classification Search**
USPC D10/1-2, 6, 10, 30-39, 40-41, 102-103,
D10/122-129, 132; D11/3, 40, 91;
D14/344, 440

CPC G04B 37/00; G04B 37/005; G04B 37/22;
G04B 17/00; G04B 19/223; G04B 19/24;
G04B 45/00; G04B 45/0061; G04B
45/0069; G04B 45/0076; G04B 45/0084;
A45C 11/10; A45C 11/12; A45C 13/008

See application file for complete search history.

(56) **References Cited**

U.S. PATENT DOCUMENTS

D250,694 S * 1/1979 Perrin D10/39
D250,809 S * 1/1979 Perrin D10/39
D328,866 S * 8/1992 Deleskiewicz D10/39
D329,020 S * 9/1992 Iwata D10/30
D391,873 S * 3/1998 Perrin D10/30

OTHER PUBLICATIONS

Piaget Possession 2018 Collection | posted at monochrome-watches.com Feb. 2018 [online]. © 2006-2019 Monochrome [retrieved Feb. 26, 2019] from Internet: <https://monochrome-watches.com/piaget-possession-2018-collection-ladies-watches-review-price/> (Year: 2018).*

Primary Examiner — Sandra S Snapp
Assistant Examiner — Katherine Glennon
(74) *Attorney, Agent, or Firm* — Taft Stettinius & Hollister LLP

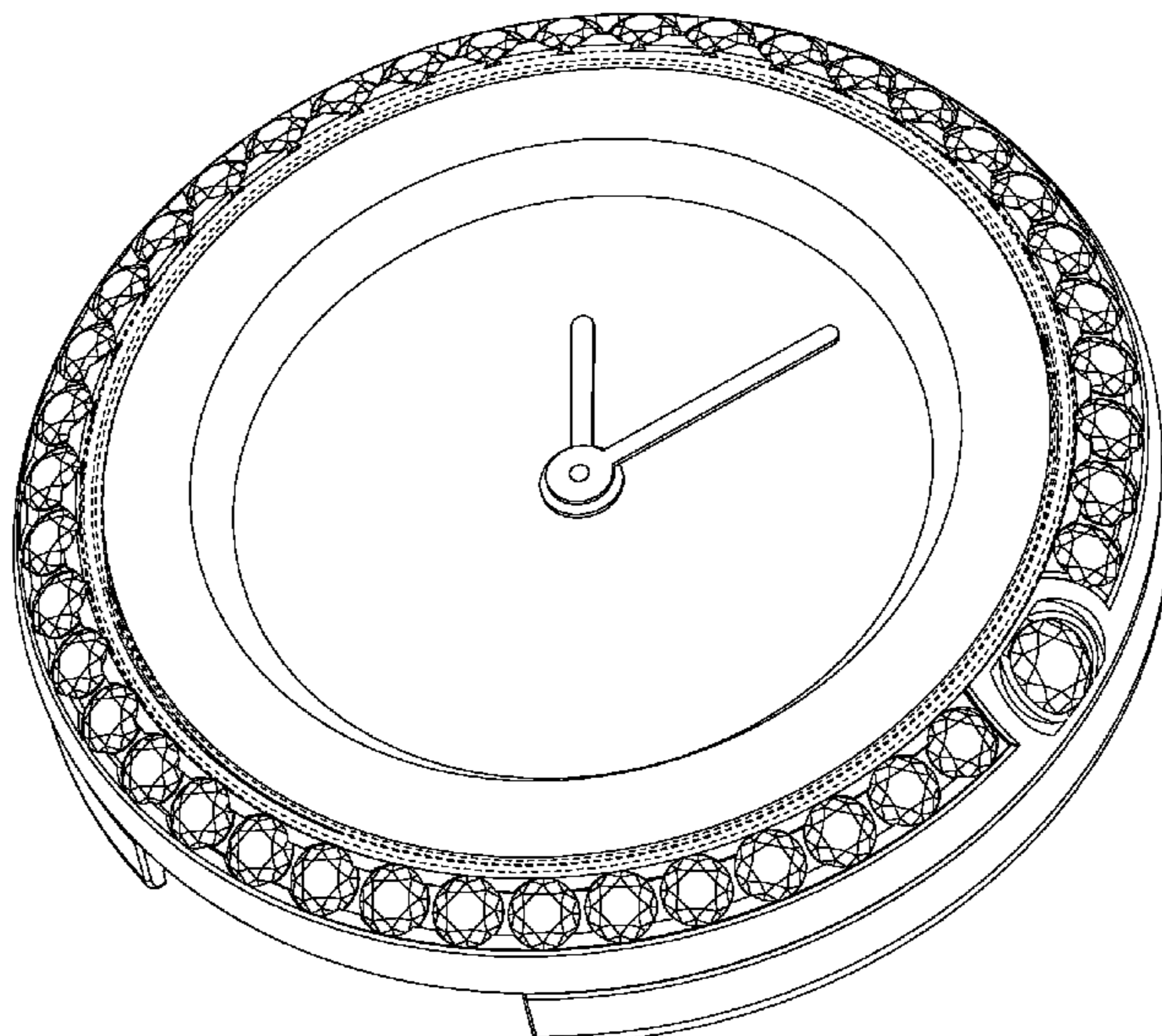
(57) **CLAIM**

The ornamental design for a watch, as shown and described.

DESCRIPTION

FIG. 1 is a front elevational view of a watch showing my new design;
FIG. 2 is a back elevational view thereof;
FIG. 3 is a top plan view thereof;
FIG. 4 is a bottom plan view thereof;
FIG. 5 is a left side elevational view thereof;
FIG. 6 is a right side elevational view thereof;
FIG. 7 is a front, right side perspective view thereof; and,
FIG. 8 is a back, left side perspective view thereof.
The broken lines in the drawing figures depict unclaimed subject matter that forms no part of the claimed design.

1 Claim, 8 Drawing Sheets



(56)

References Cited

U.S. PATENT DOCUMENTS

D781,721 S * 3/2017 Abdourahim D10/38
D811,259 S * 2/2018 Magallanes-Leal D11/8
D824,275 S * 7/2018 Sivriere D11/35

* cited by examiner

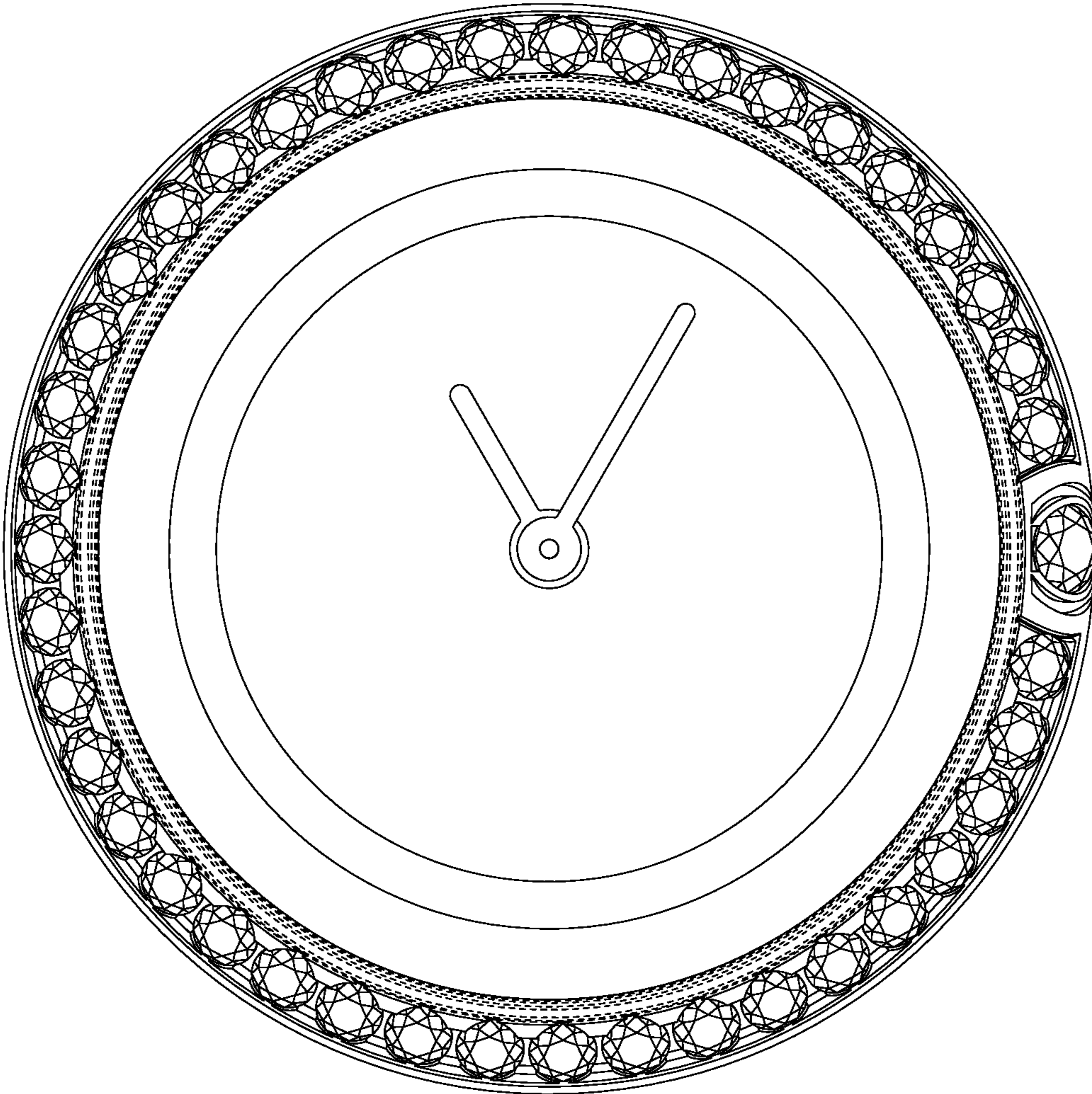


Fig. 1

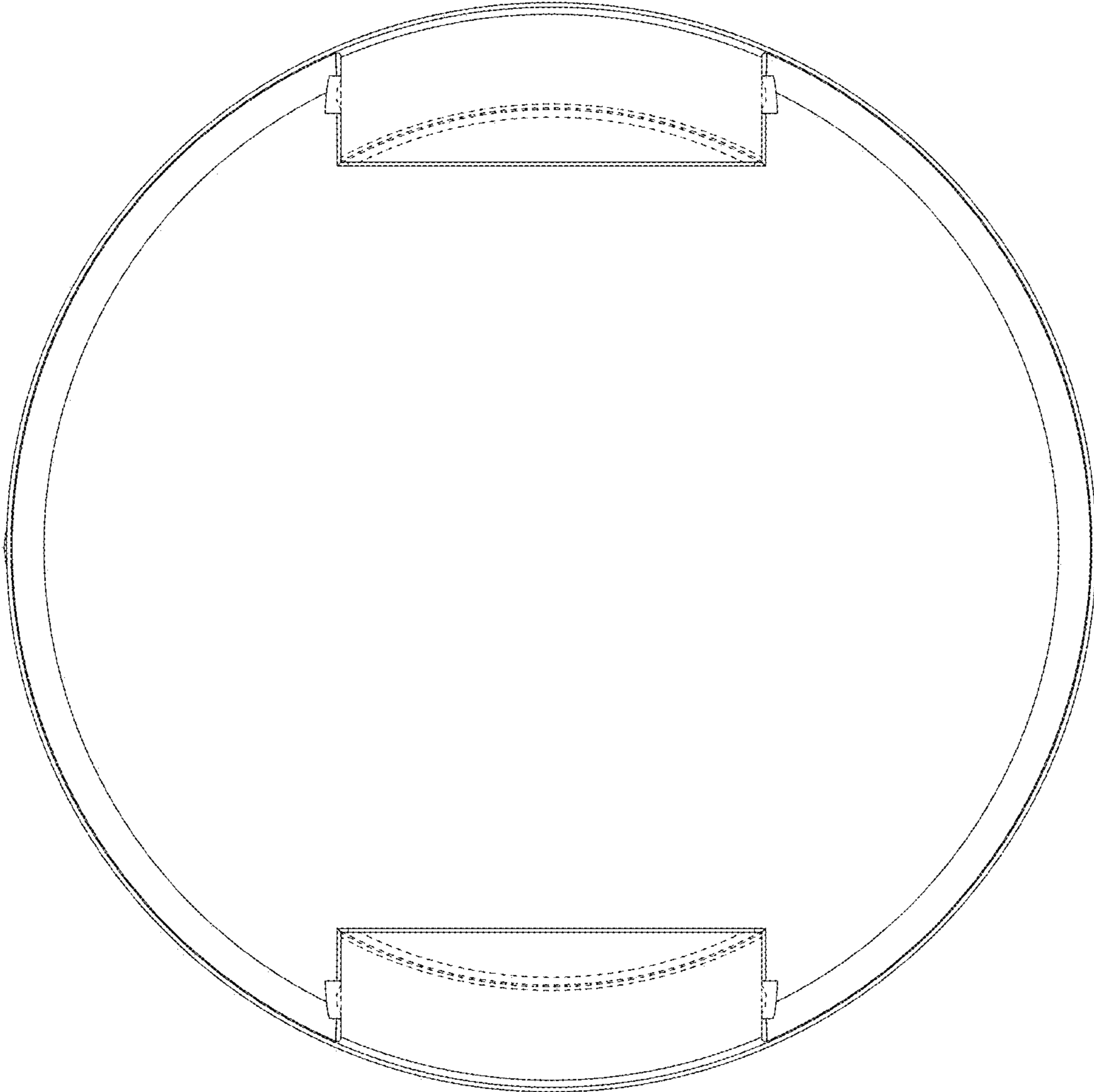


Fig. 2

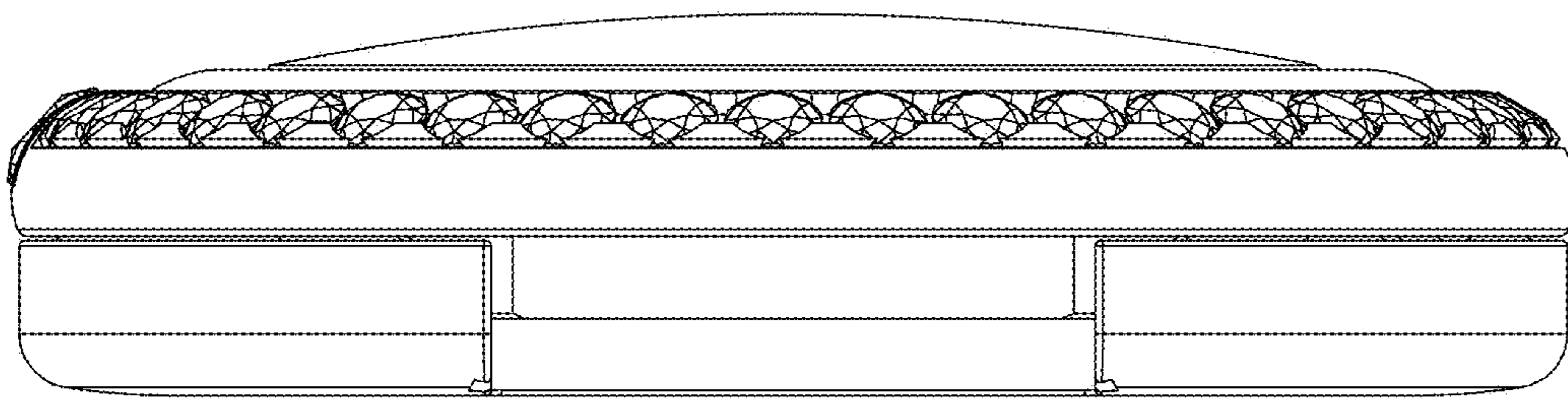


Fig. 3

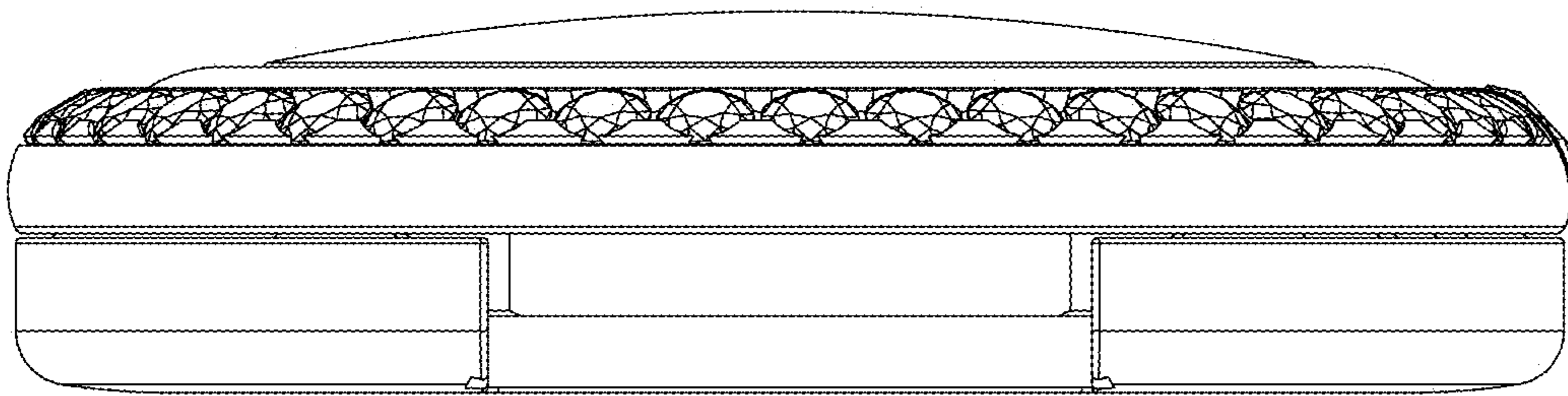


Fig. 4

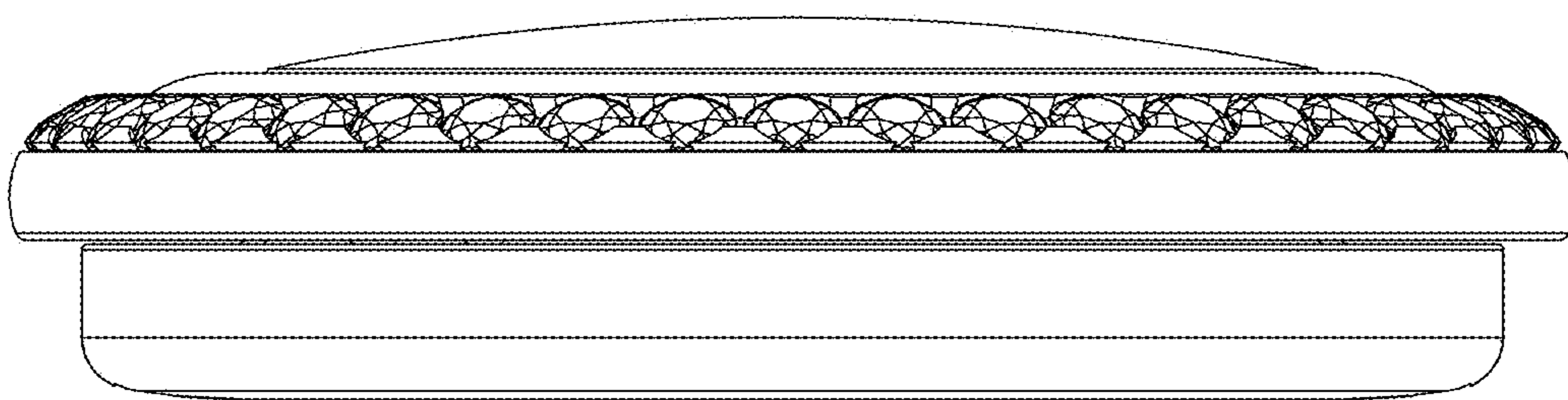


Fig. 5

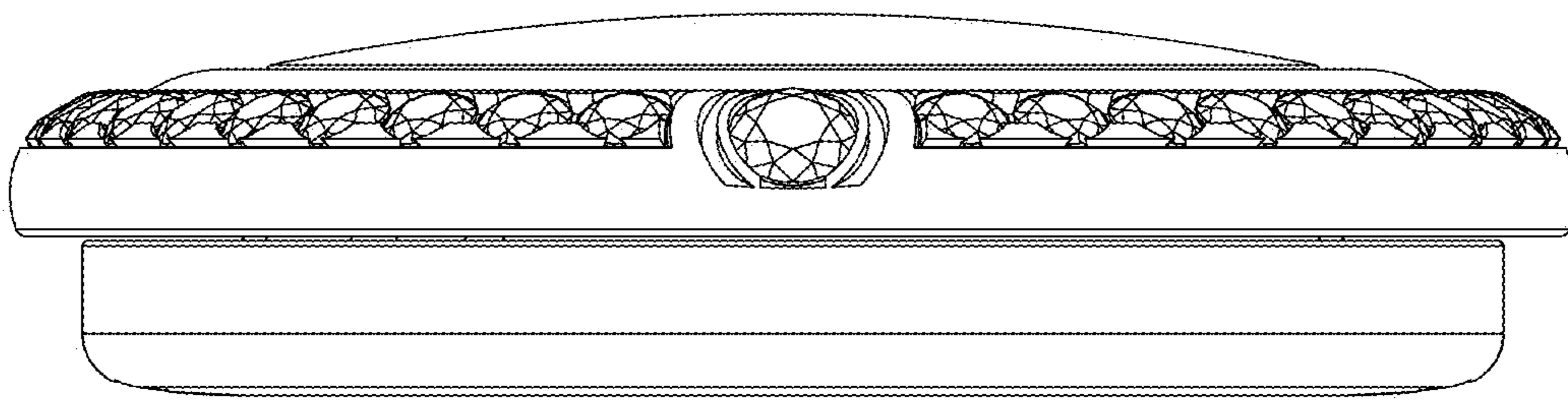


Fig. 6

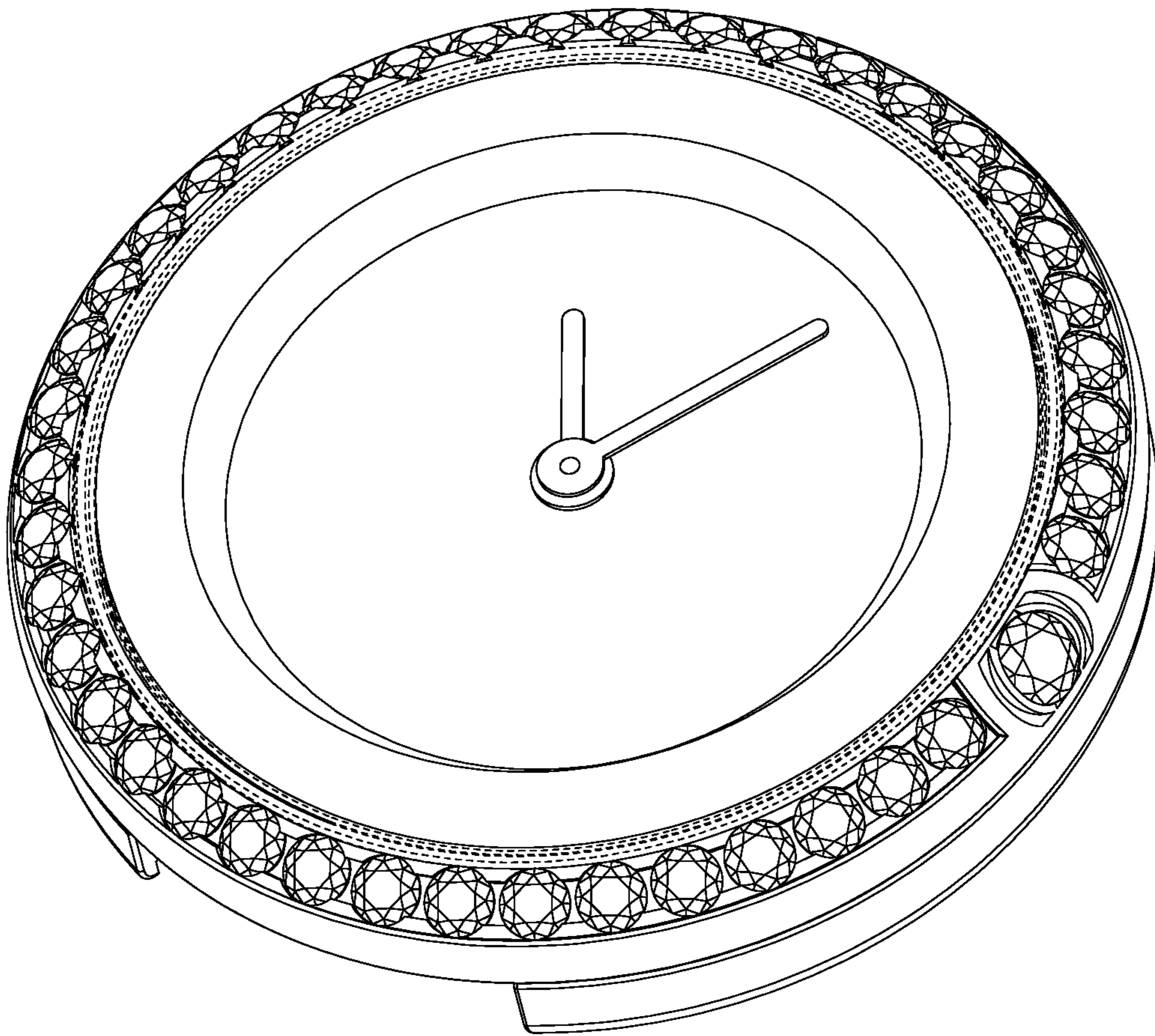


Fig. 7

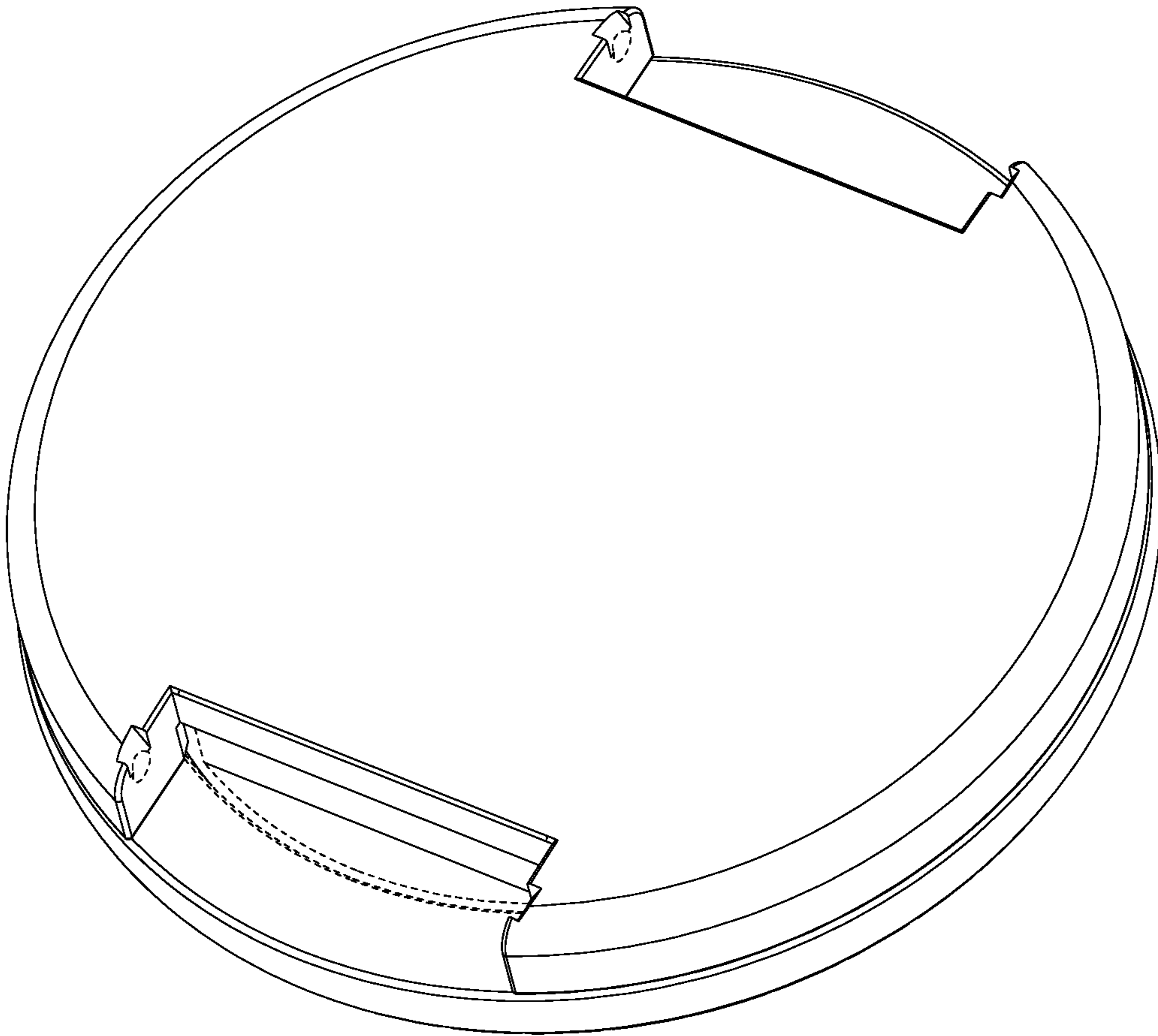


Fig. 8