



US00D867165S

(12) **United States Design Patent** (10) **Patent No.:** **US D867,165 S**  
**Arabov** (45) **Date of Patent:** **\*\* Nov. 19, 2019**

(54) **WATCH**  
(71) Applicant: **JACOB & CO SA**, Geneva (CH)  
(72) Inventor: **Jacob Arabov**, New York, NY (US)  
(73) Assignee: **JACOB & CO SA**, Geneva (CH)  
(\*\*) Term: **15 Years**  
(21) Appl. No.: **29/638,659**

D438,473 S \* 3/2001 Dumas ..... D10/39  
D494,478 S \* 8/2004 Arabov ..... D10/39  
D505,342 S \* 5/2005 Hayek ..... D10/39  
D530,229 S \* 10/2006 Wunderman ..... D10/32  
D533,470 S \* 12/2006 Krieger ..... D10/39  
D551,100 S \* 9/2007 Okaya ..... D10/38  
D573,486 S \* 7/2008 Sanz ..... D10/38  
D573,487 S \* 7/2008 Sanz ..... D10/39  
D591,178 S \* 4/2009 Magada ..... D10/38  
D611,842 S \* 3/2010 Parmigiani ..... D10/38  
D624,439 S \* 9/2010 Wunderman ..... D10/32

(Continued)

(22) Filed: **Feb. 28, 2018**

**OTHER PUBLICATIONS**

**Related U.S. Application Data**

(63) Continuation-in-part of application No. 29/538,983, filed on Sep. 10, 2015, now abandoned.

Jacob Co Astronomia Tourbillon Watch | posted at ablogtowatch.com Mar. 11, 2015 [online]. © 2007-2019 aBlogtoWatch [retrieved Jan. 7, 2019] from Internet: <https://www.ablogtowatch.com/jacob-co-astronomia-tourbillon-baguette-watch/> (Year: 2015).\*

(30) **Foreign Application Priority Data**

May 19, 2015 (CH) ..... DM/086693

*Primary Examiner* — Sandra S Snapp  
*Assistant Examiner* — Katherine Glennon  
(74) *Attorney, Agent, or Firm* — Taft Stettinius & Hollister LLP

(51) **LOC (12) Cl.** ..... **10-02**

(52) **U.S. Cl.**  
USPC ..... **D10/38**

(58) **Field of Classification Search**  
USPC ..... D10/30-32, 37-39, 122-124, 126, 128;  
D11/222; D8/307, 312  
See application file for complete search history.

(57) **CLAIM**

The ornamental design for a watch, as shown and described.

(56) **References Cited**

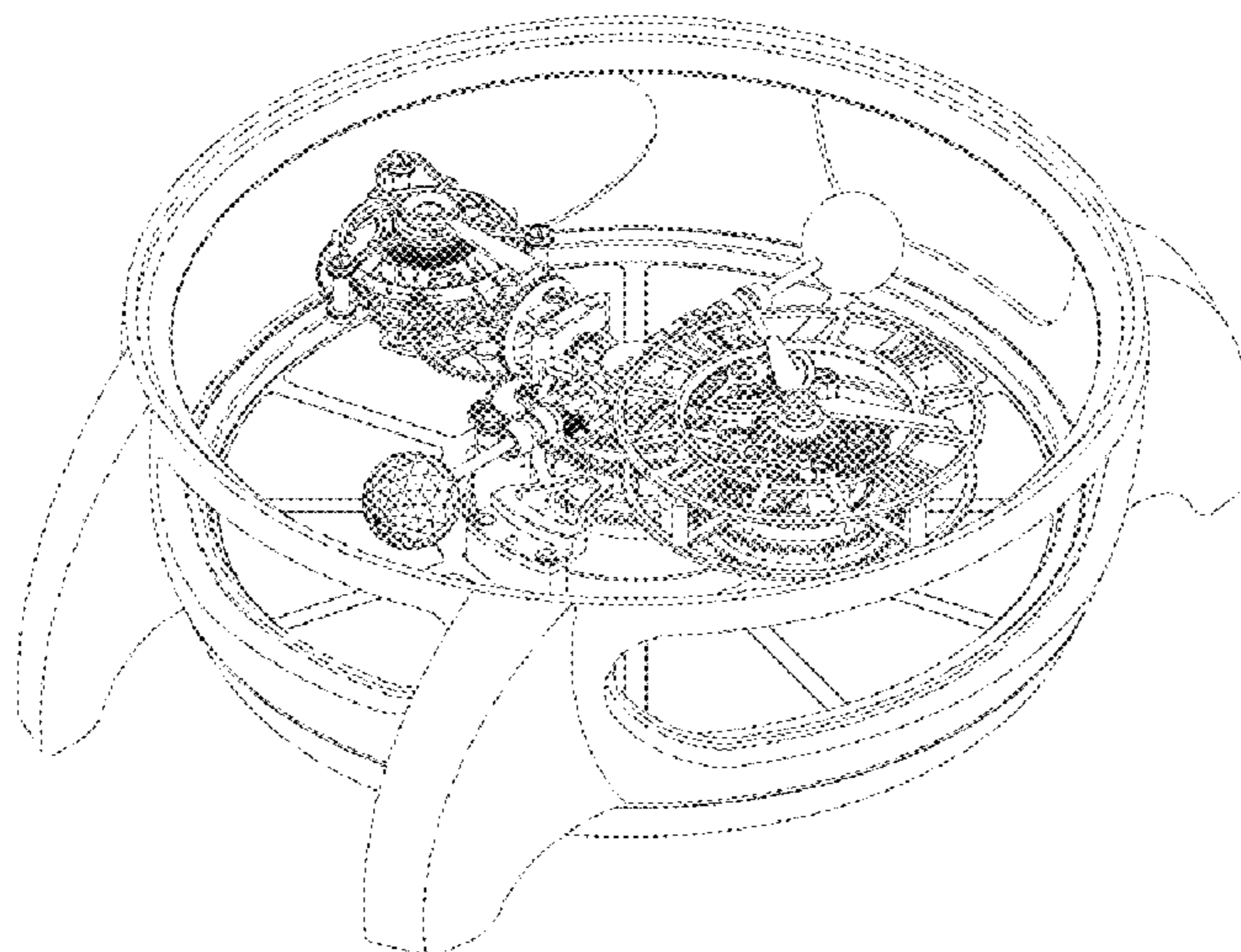
**U.S. PATENT DOCUMENTS**

3,879,862 A \* 4/1975 Chin ..... G09B 27/02  
434/288  
4,583,864 A \* 4/1986 Graves ..... G04B 45/0061  
368/16  
D339,751 S \* 9/1993 Besson ..... D10/129  
5,457,663 A \* 10/1995 Mejaski ..... G04B 19/26  
368/15  
5,967,791 A \* 10/1999 Abrahamian ..... G09B 27/06  
434/284

**DESCRIPTION**

FIG. 1 is a front view of a watch of the present invention.  
FIG. 2 is a back view thereof;  
FIG. 3 is a right side view thereof;  
FIG. 4 is a left side view thereof;  
FIG. 5 is a bottom view thereof;  
FIG. 6 is a top view thereof; and,  
FIG. 7 is a front, right side perspective view thereof, shown with the top and side crystals removed for ease of illustration.

**1 Claim, 7 Drawing Sheets**



(56)

**References Cited**

U.S. PATENT DOCUMENTS

D624,440	S *	9/2010	Wunderman	.....	D10/32
D665,274	S *	8/2012	Arabov	.....	D10/38
D665,275	S *	8/2012	Arabov	.....	D10/38
8,356,929	B2 *	1/2013	Zaugg	.....	G04B 19/262 368/127
D677,176	S *	3/2013	Ruffieux	.....	D10/39
8,488,418	B2 *	7/2013	Blanckaert	.....	G04B 19/32 368/224
8,579,500	B2 *	11/2013	Penula	.....	G04B 37/0008 368/281
D705,668	S *	5/2014	Loth	.....	D10/32
D708,073	S *	7/2014	Parmigiani	.....	D10/38
D717,670	S *	11/2014	Davoli	.....	D10/39
D724,446	S *	3/2015	Favre	.....	D10/124
8,995,233	B2 *	3/2015	Goeller	.....	G04B 19/268 368/15
9,207,642	B2 *	12/2015	Willemin	.....	G04B 19/262
D757,568	S *	5/2016	Emmenegger	.....	D10/126
9,535,402	B2 *	1/2017	Gilomen	.....	G04B 19/22
D832,721	S *	11/2018	Nussbaumer	.....	D10/39
2016/0246261	A1 *	8/2016	Zaugg	.....	G04F 7/0828

\* cited by examiner

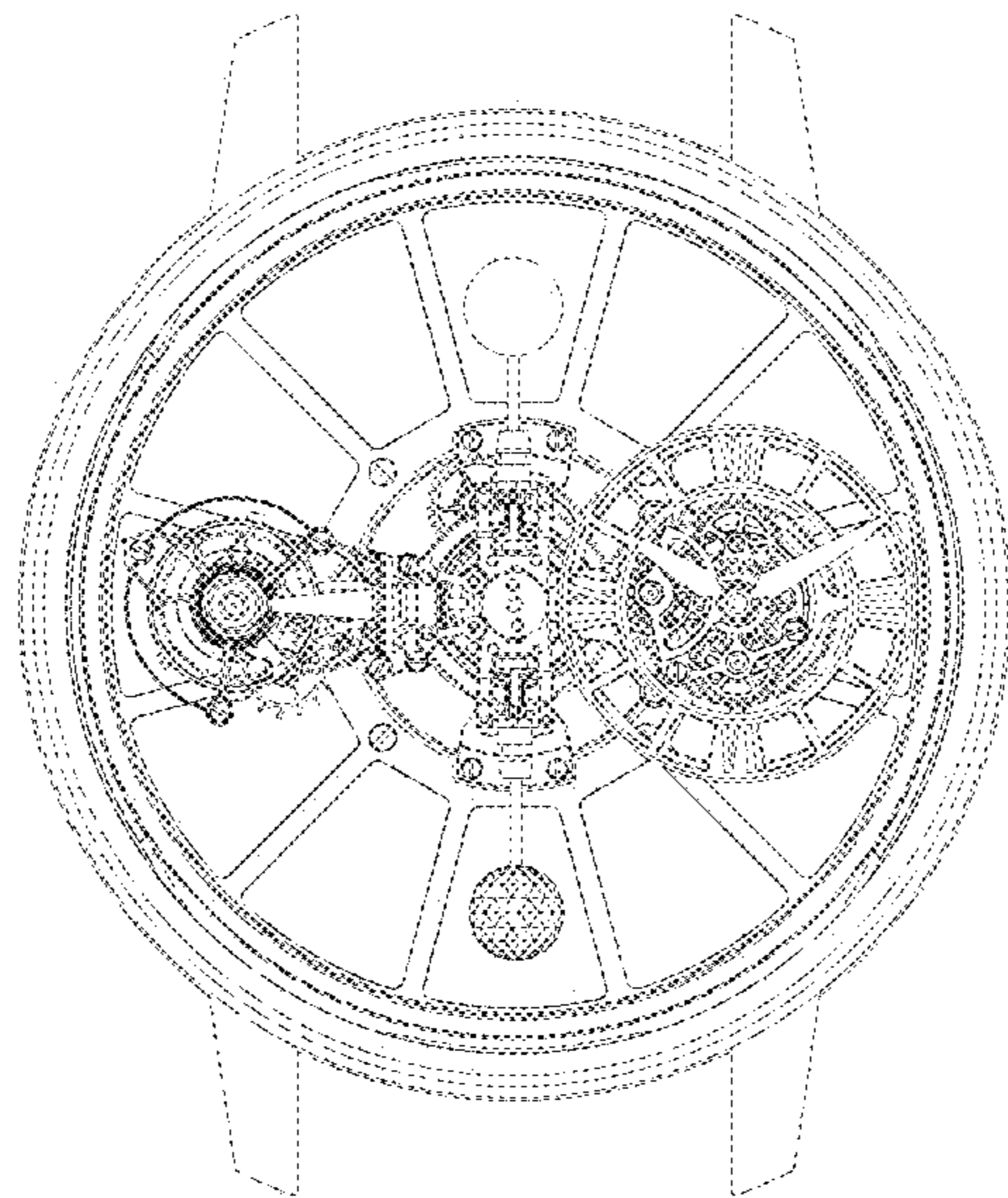


Fig. 1

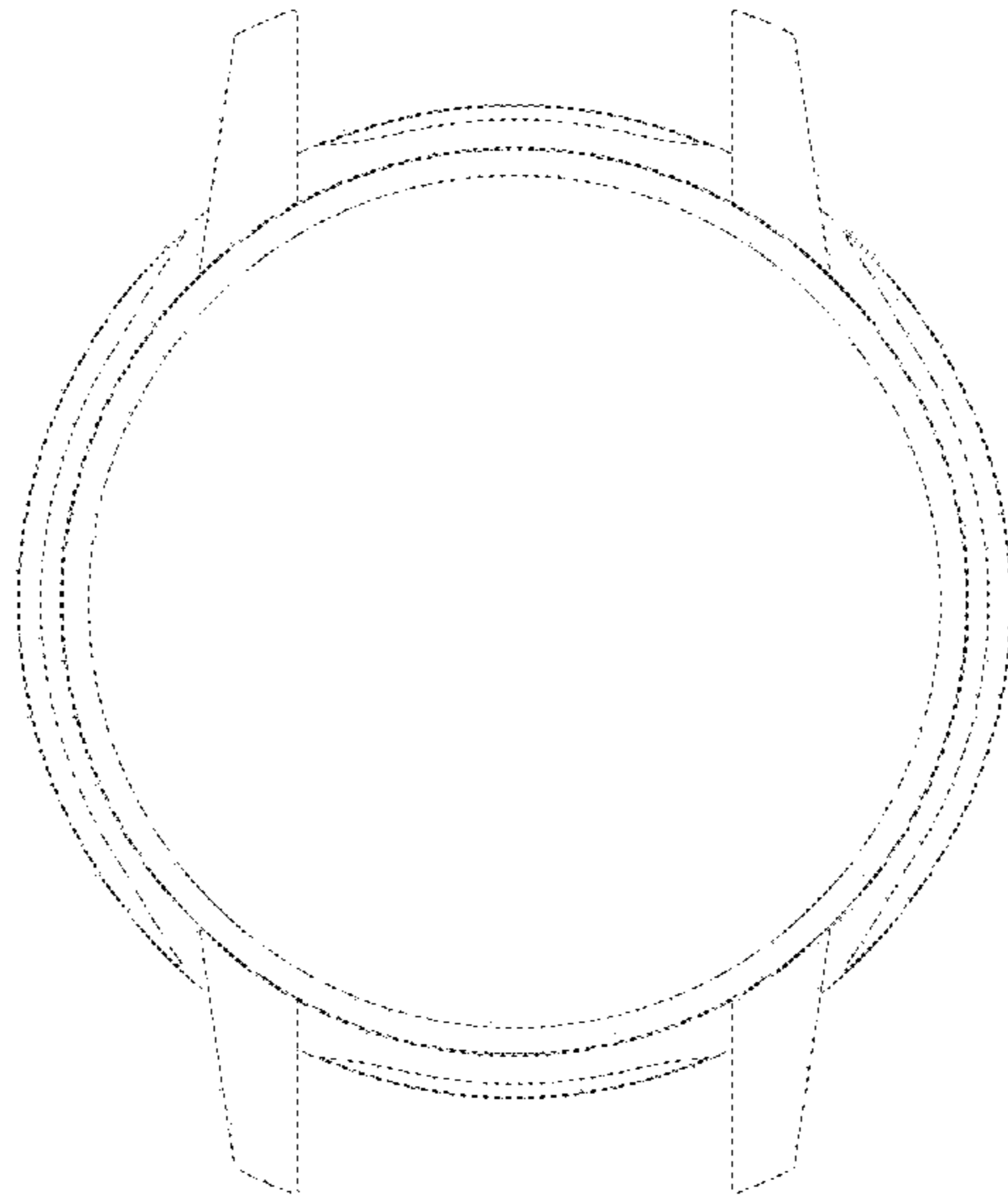


Fig. 2

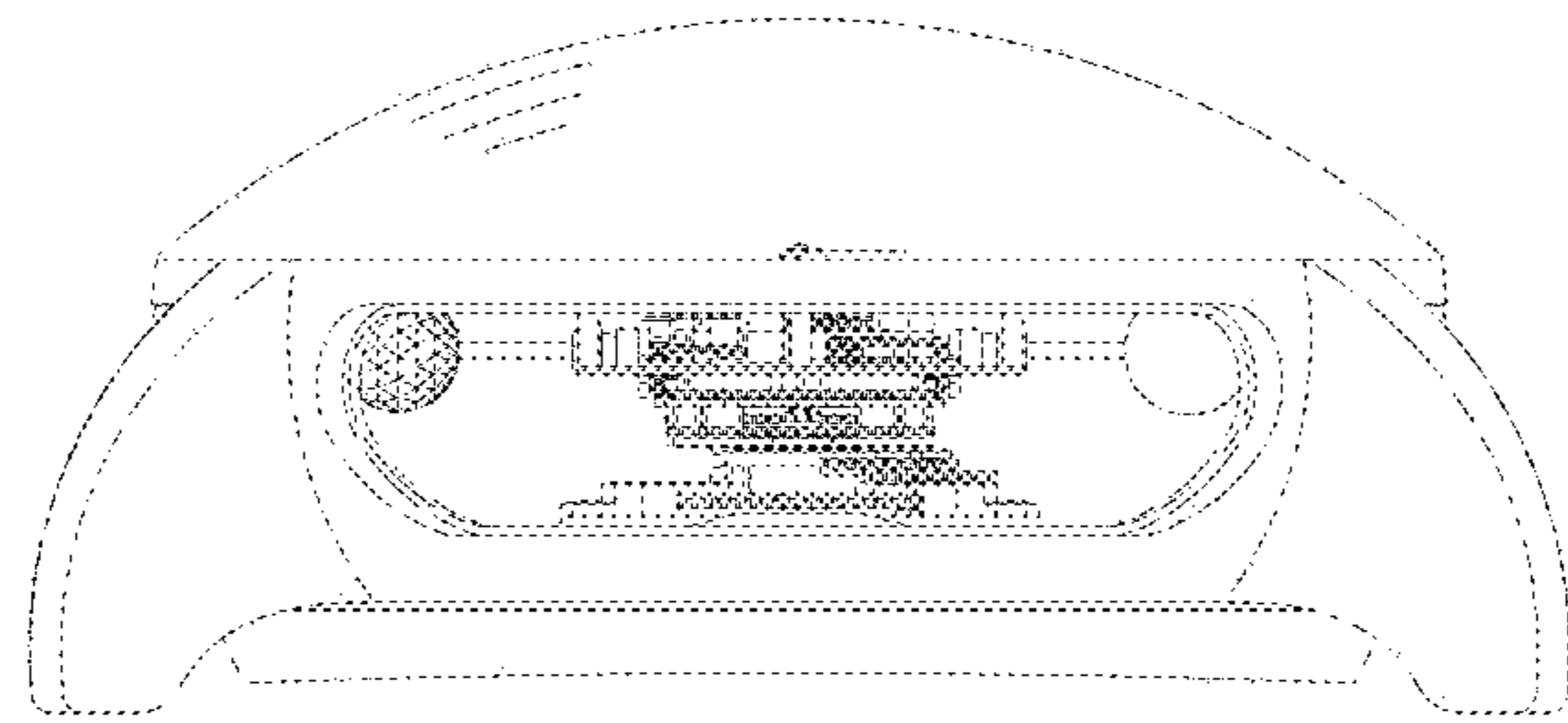


Fig. 3

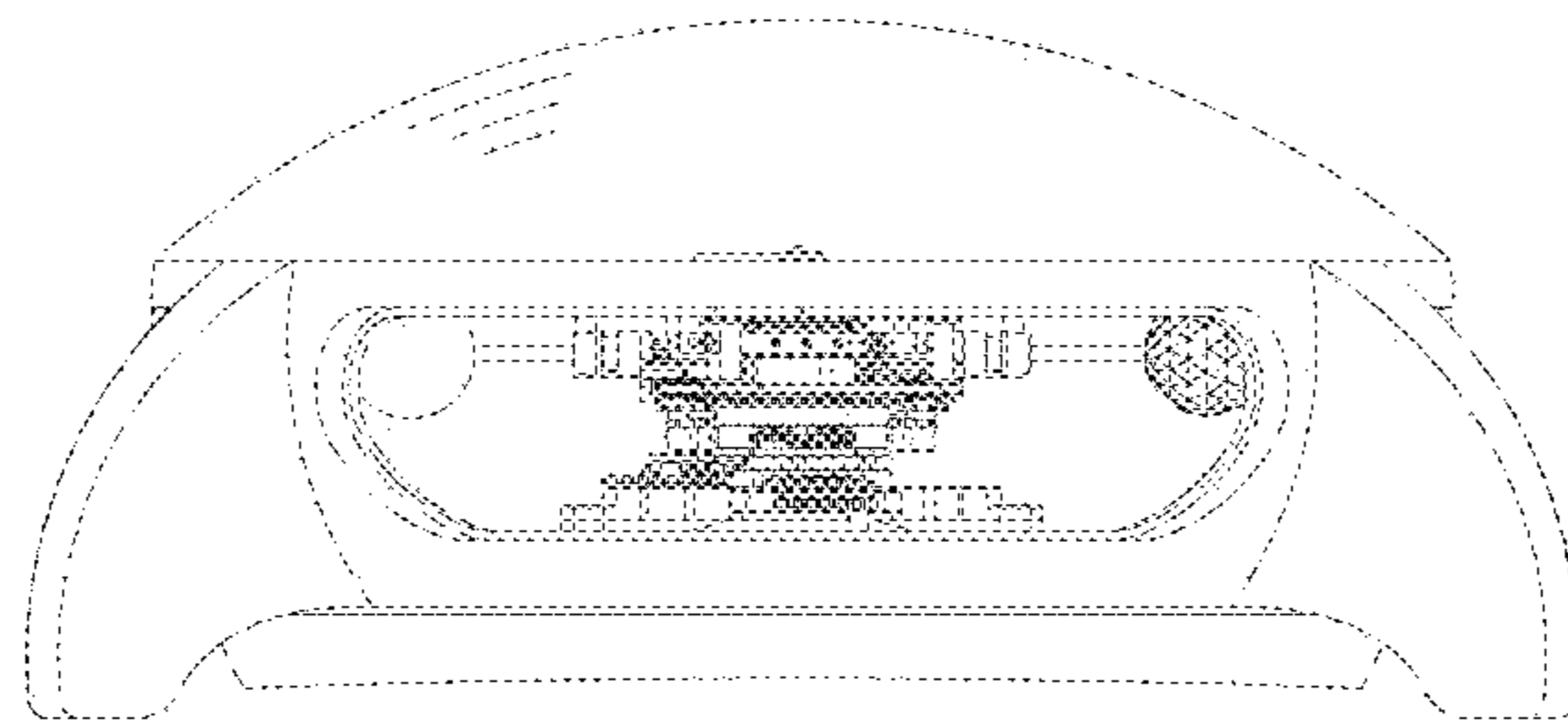


Fig. 4

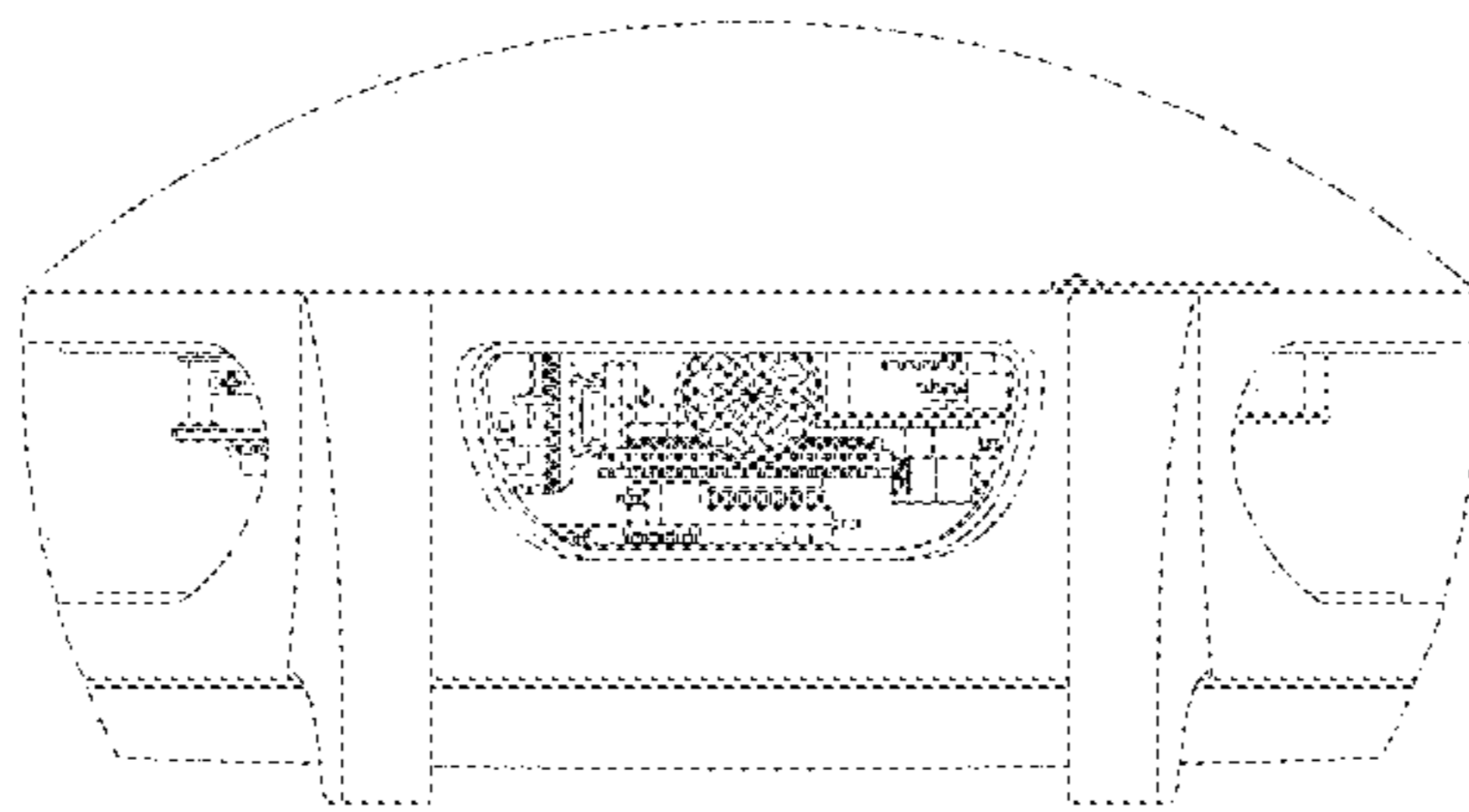


Fig. 5

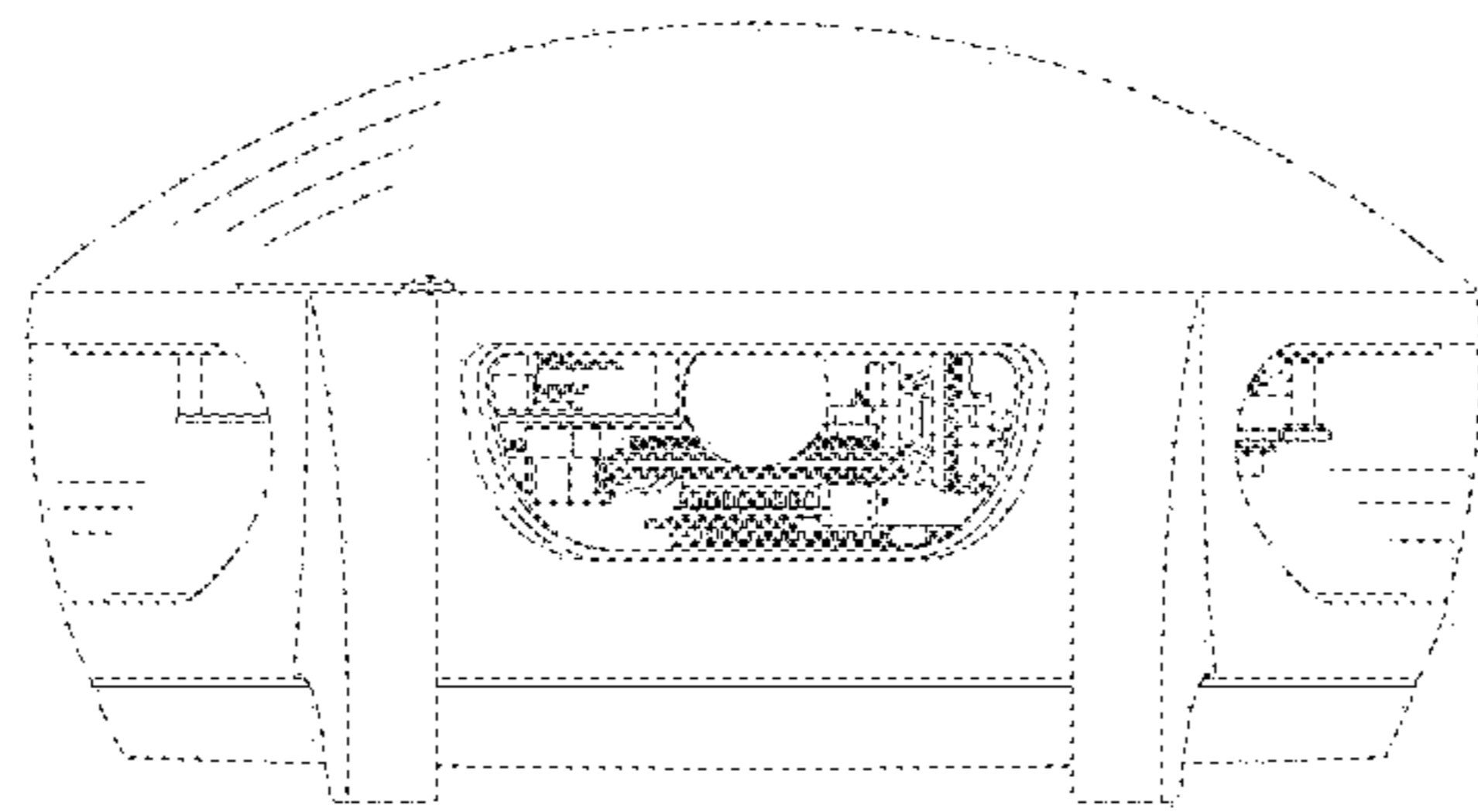


Fig. 6



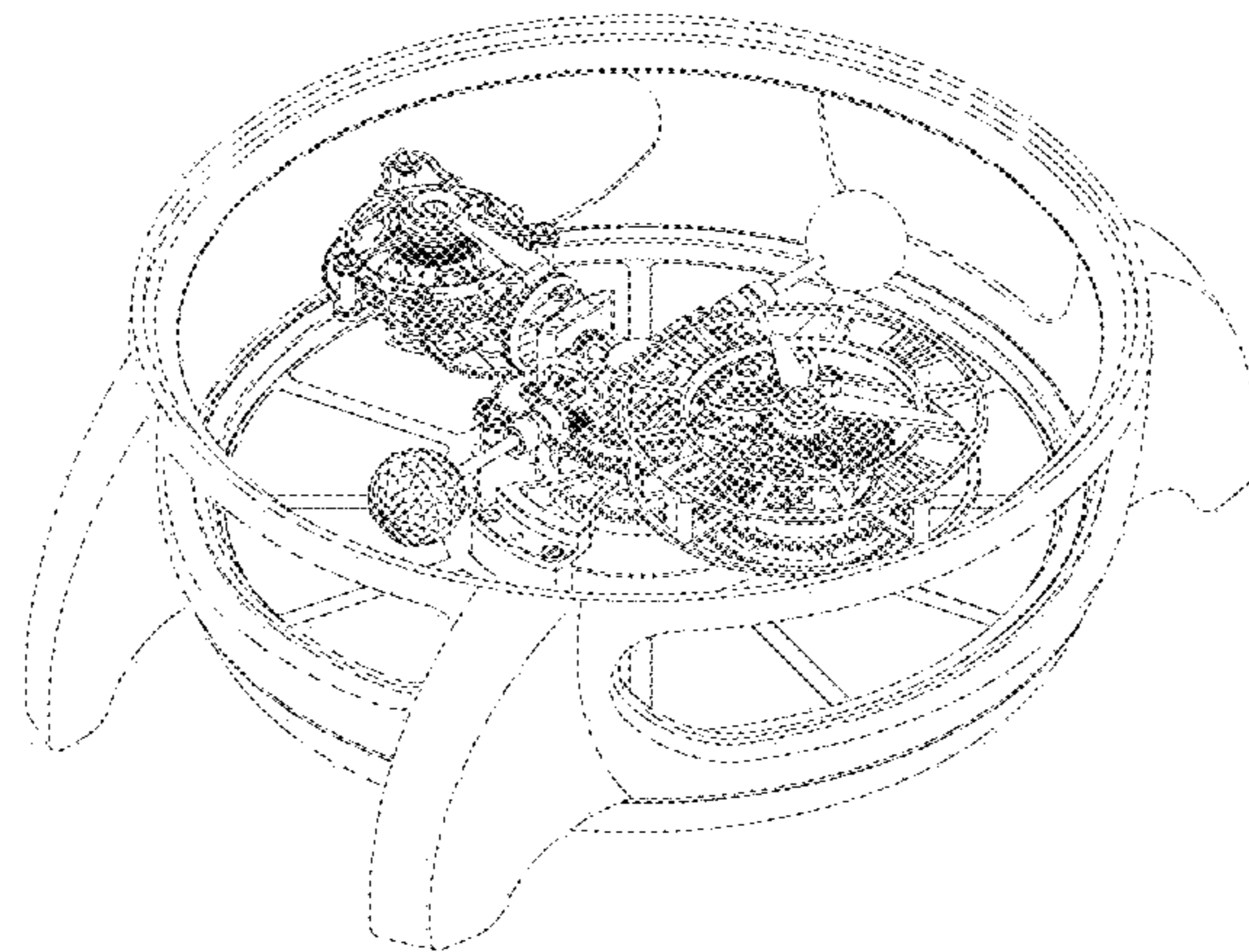


Fig. 7