

US00D867163S

(12) **United States Design Patent**
Portal-Andreu

(10) **Patent No.:** **US D867,163 S**
(45) **Date of Patent:** **** Nov. 19, 2019**

- (54) **MULTI-TIER CONTAINER WITH SWIVEL-OUT BOWLS**
- (71) Applicant: **Sandra Lucia Portal-Andreu**, Miami, FL (US)
- (72) Inventor: **Sandra Lucia Portal-Andreu**, Miami, FL (US)
- (**) Term: **15 Years**
- (21) Appl. No.: **29/629,247**
- (22) Filed: **Dec. 12, 2017**
- (51) **LOC (12) Cl.** **09-01**
- (52) **U.S. Cl.**
USPC **D9/738**
- (58) **Field of Classification Search**
USPC D9/738, 741, 743-745; D28/76-84; 206/37, 38, 236, 242, 265, 581, 823; 220/359.1-359.4, 521, 522, 527, 336, 220/4.27; 132/293-295, 300, 305, 132/286-288; 16/320
CPC B65D 43/08; B65D 47/08; B65D 69/00; A45D 33/00; A45D 33/22
See application file for complete search history.

- 6,961,977 B2 * 11/2005 Seidler A45D 33/20 132/293
- 7,055,216 B2 * 6/2006 Seidler A45D 33/20 16/320
- D581,597 S * 11/2008 Martinez D28/82
- 8,066,019 B2 * 11/2011 Zhu A45D 33/16 132/298
- 8,109,280 B2 * 2/2012 Winckels A45D 33/008 132/294
- 8,567,597 B2 * 10/2013 Gibson A24F 23/00 206/236
- 8,651,308 B1 * 2/2014 Sung A45D 40/00 206/457
- 8,863,949 B2 * 10/2014 Sun G02C 13/001 206/234

(Continued)

Primary Examiner — W. A. Teddy Falloway
(74) *Attorney, Agent, or Firm* — Robert C. Kain, Jr.

(57) **CLAIM**

I claim the ornamental design for the multi-tier container with swivel-out bowls, as shown and described.

DESCRIPTION

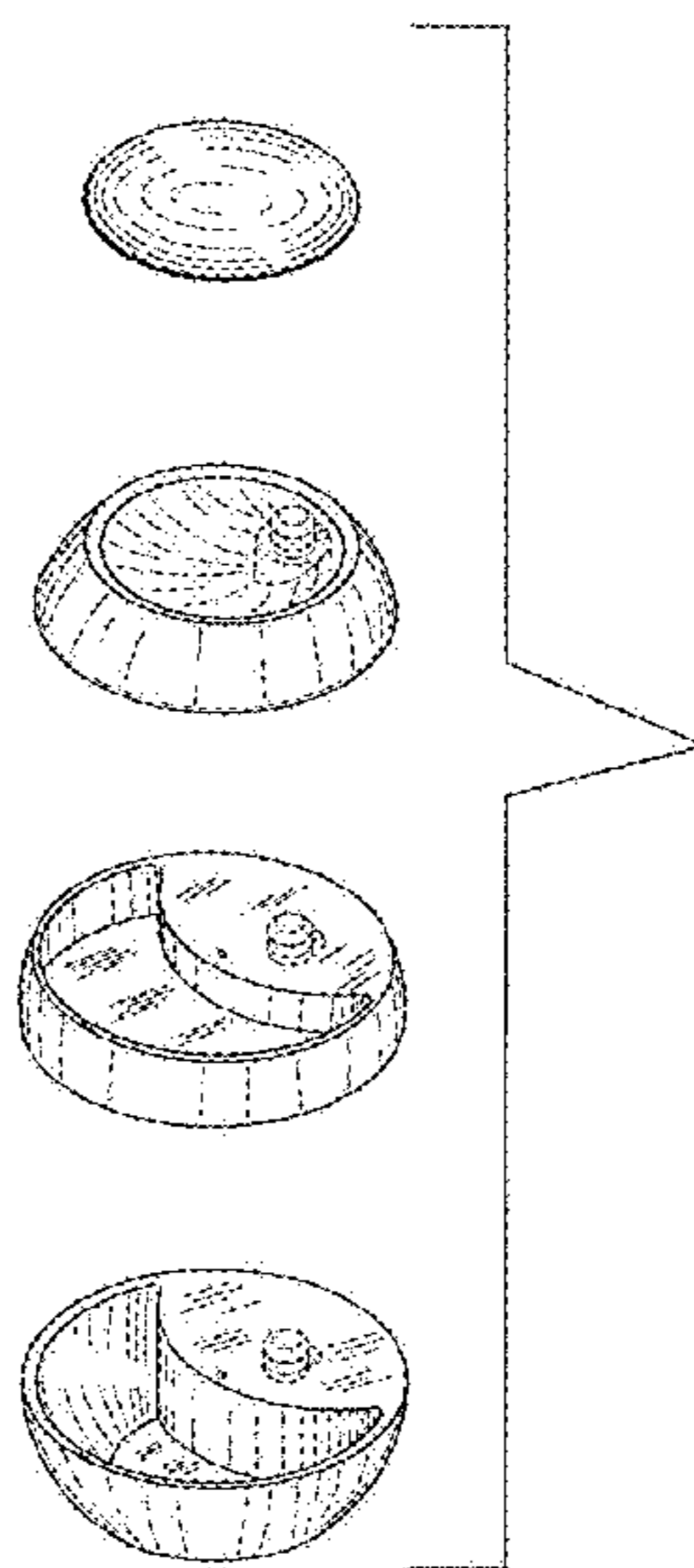
FIG. 1 is a front elevational view of the multi-tier container with swivel-out bowls (the rear view, left side view and the right side view being identical to the front view).
 FIG. 2 is a top view of the multi-tier container with swivel-out bowls shown in FIG. 1.
 FIG. 3 is a bottom view of the multi-tier container with swivel-out bowls shown in FIG. 1.
 FIG. 4 is an exploded, perspective view of the multi-tier container with swivel-out bowls; and,
 FIG. 5 is a top view of the multi-tier container with swivel-out bowls showing its top element swiveled away from a top bowl of the multi-tier container.
 The broken lines shown in FIG. 4 illustrate portions of the multi-tier container with swivel bowls that form no part of the claimed design.

1 Claim, 5 Drawing Sheets

(56) **References Cited**

U.S. PATENT DOCUMENTS

- 5,025,817 A * 6/1991 Wen A45D 33/006 132/294
- 5,632,394 A * 5/1997 Mecca A45C 11/00 132/315
- D408,590 S * 4/1999 Litton D28/82
- 6,041,935 A * 3/2000 Yang A45C 11/00 206/509
- D442,338 S * 5/2001 Roman D28/82
- 6,547,102 B2 * 4/2003 Stoneberg B65D 21/0219 222/143
- D483,527 S * 12/2003 Ashiwa D28/82



(56)

References Cited

U.S. PATENT DOCUMENTS

8,919,355 B2 * 12/2014 Blanch A45D 40/24
132/287
D794,633 S * 8/2017 Ha D14/344
9,840,356 B1 * 12/2017 Spruce B65D 41/50
D808,958 S * 1/2018 Ha D14/341
10,172,434 B2 * 1/2019 Lee A45D 42/02
2002/0108628 A1 * 8/2002 Sheng A45D 33/20
132/295
2002/0179485 A1 * 12/2002 Shih A45D 40/24
206/581
2014/0326273 A1 * 11/2014 Kalyanpur A45D 40/24
132/314

* cited by examiner

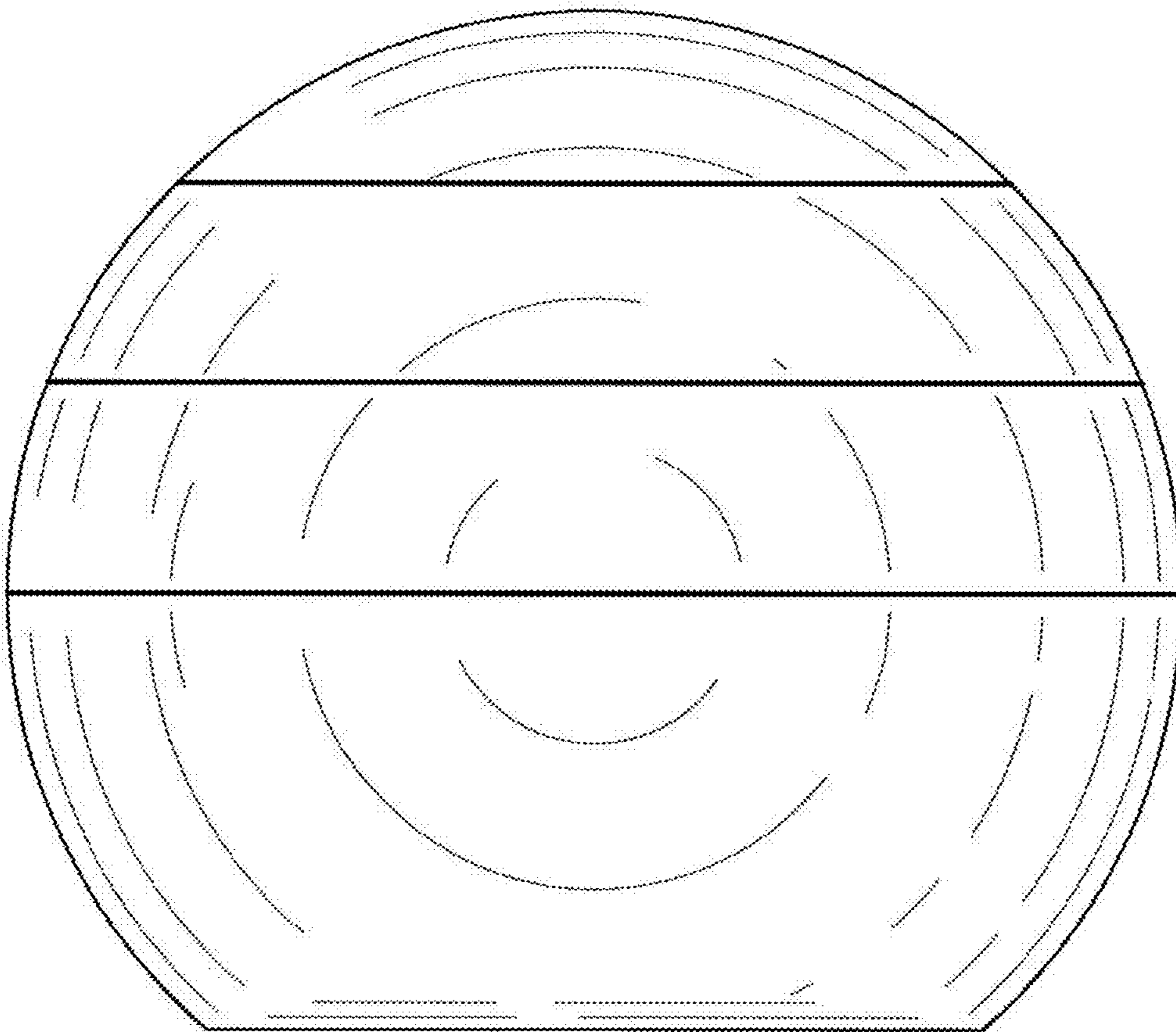


FIG.1

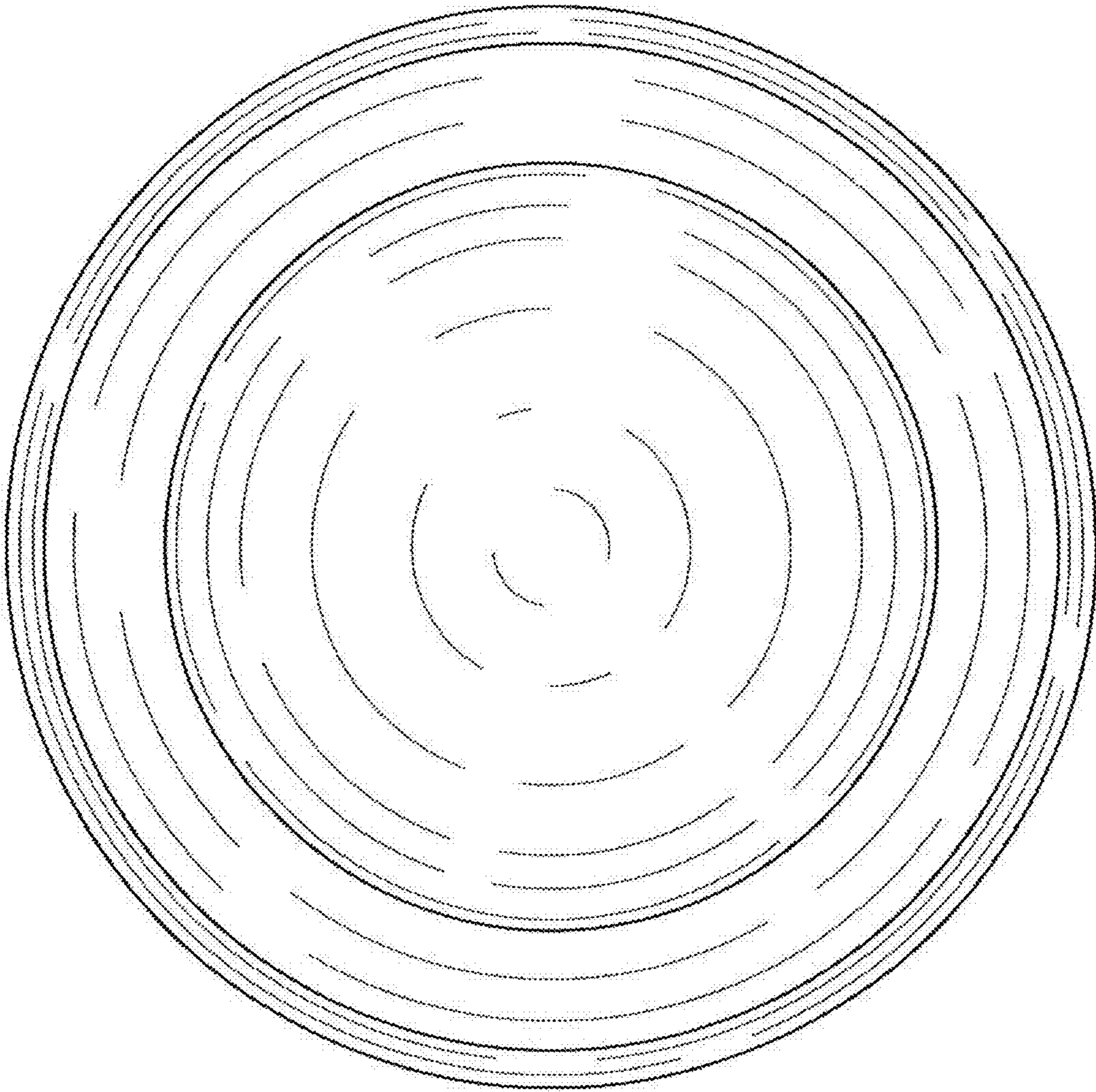


FIG.2

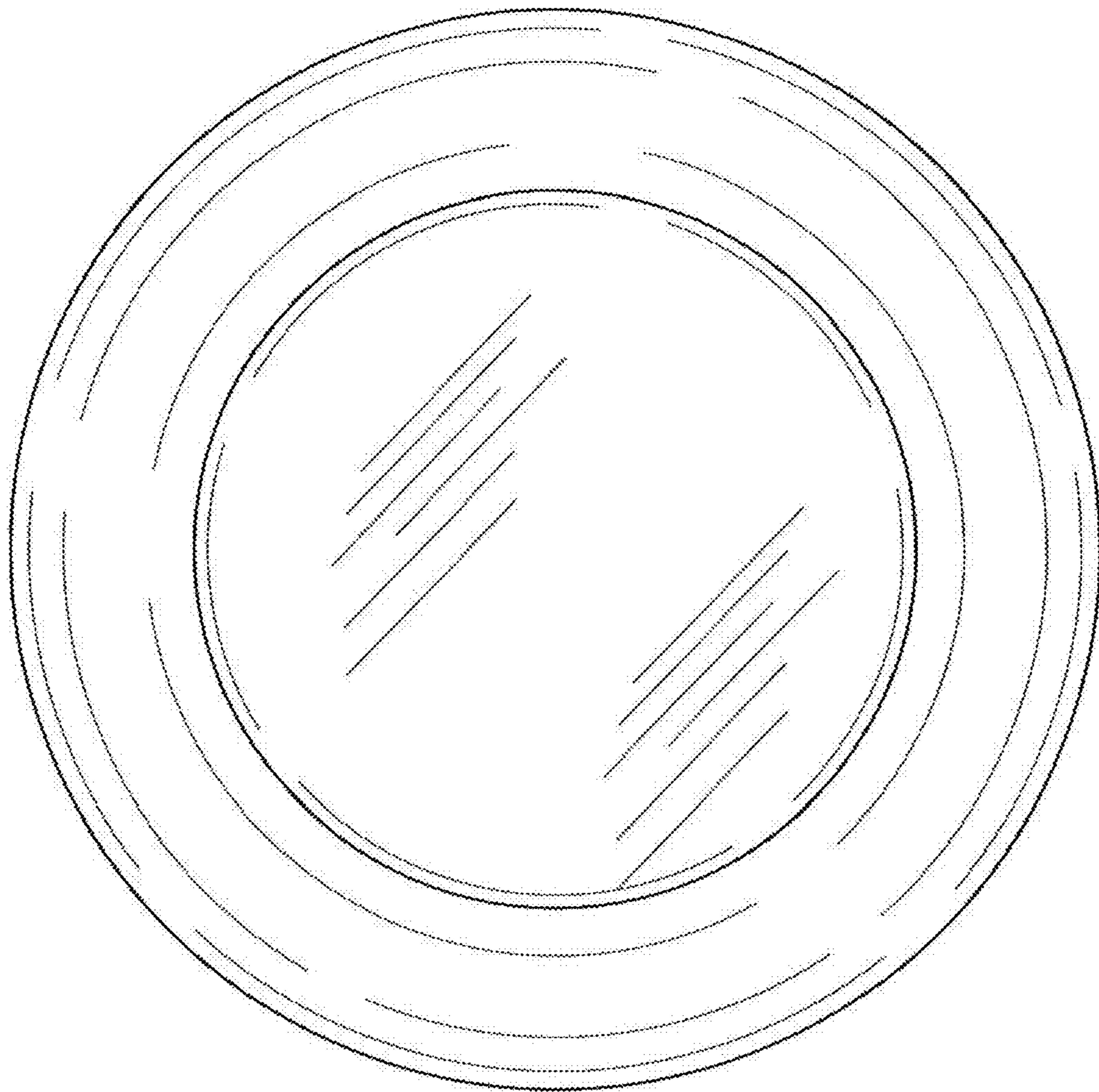


FIG.3

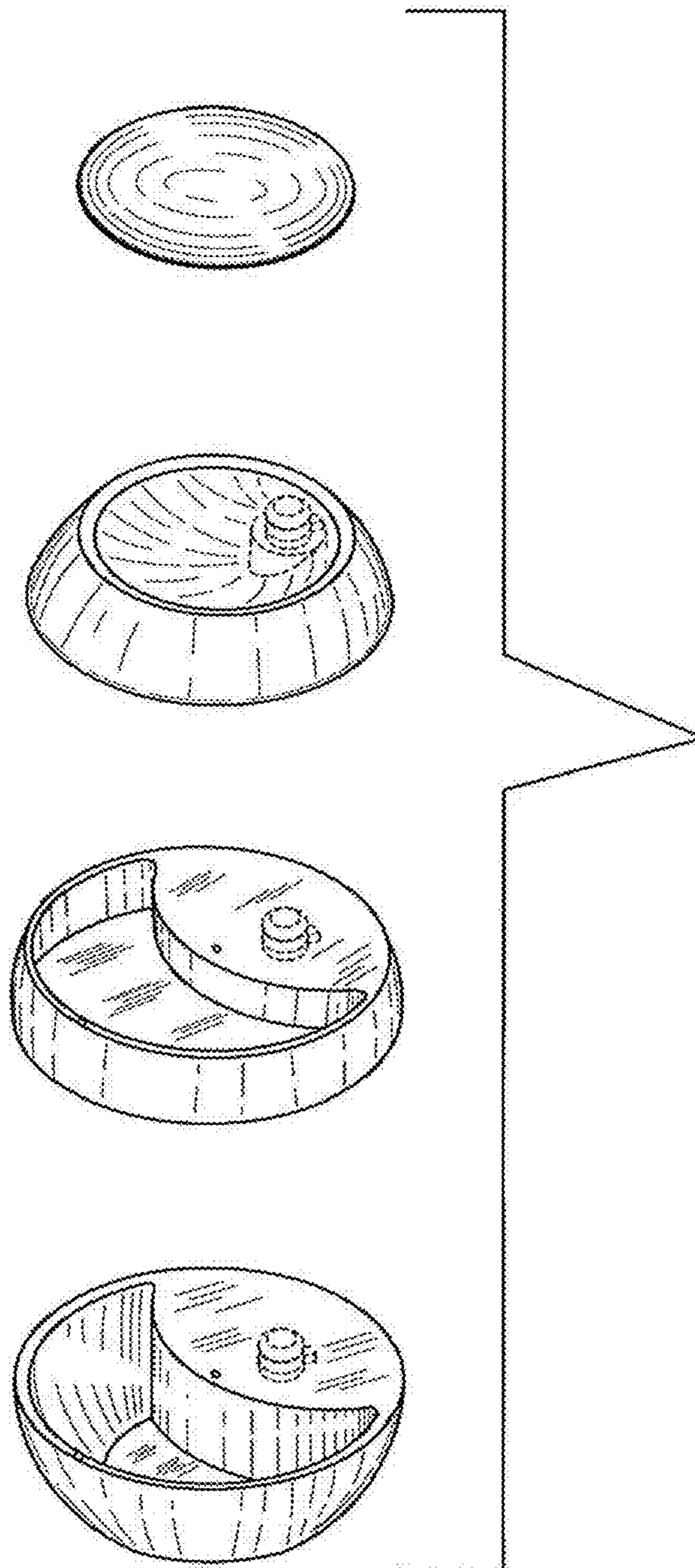


FIG.4

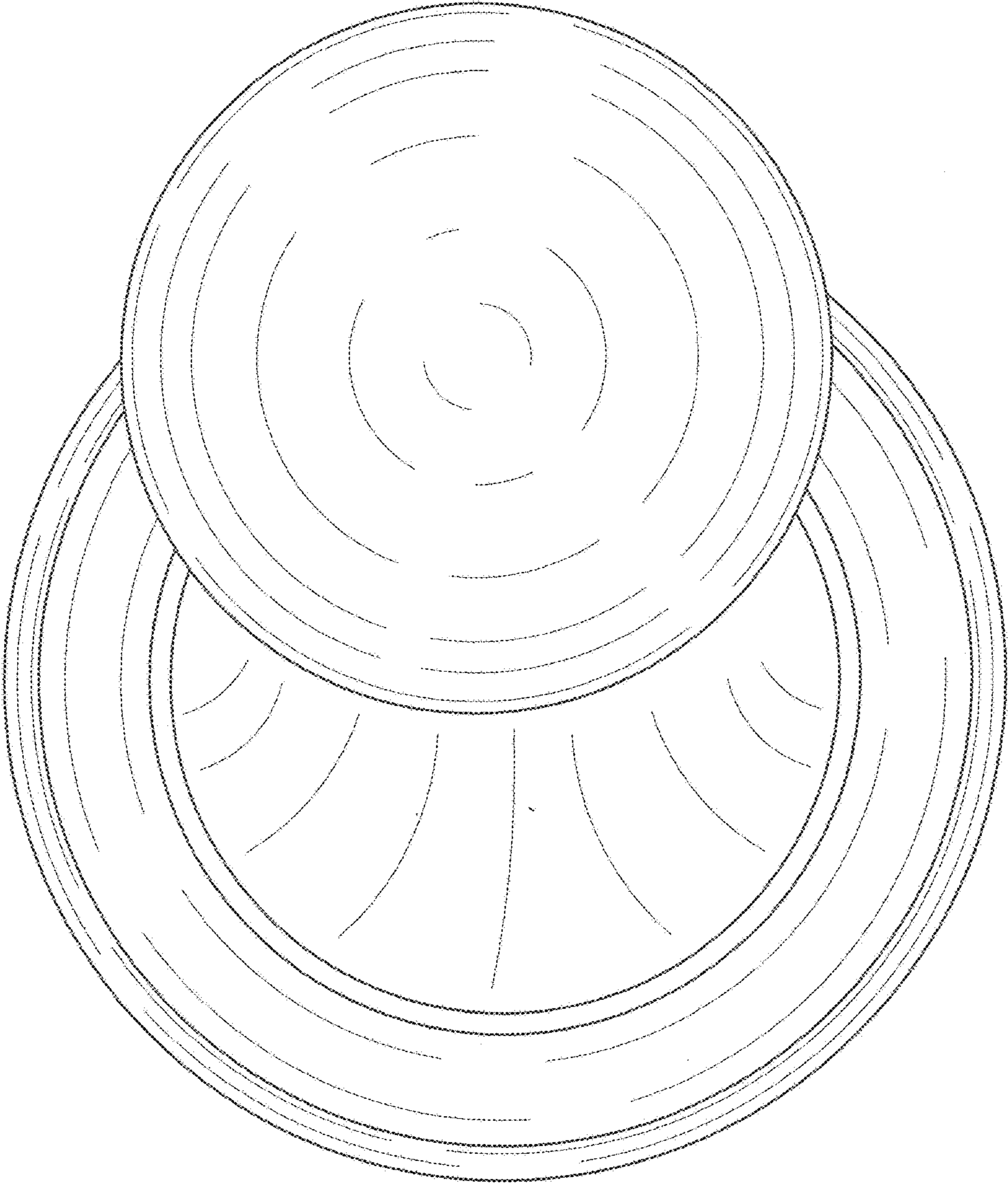


FIG.5