



US00D867160S

(12) **United States Design Patent**
Phillips

(10) **Patent No.:** **US D867,160 S**

(45) **Date of Patent:** **** Nov. 19, 2019**

(54) **REFUSE BAG WITH INSECTICIDE**

(71) Applicant: **Donnet D. Phillips**, Plainfield, NJ (US)

(72) Inventor: **Donnet D. Phillips**, Plainfield, NJ (US)

(**) Term: **15 Years**

(21) Appl. No.: **29/648,659**

(22) Filed: **May 23, 2018**

(51) **LOC (12) Cl.** **09-05**

(52) **U.S. Cl.**
USPC **D9/704**

(58) **Field of Classification Search**
USPC D9/702-714, 719, 738-740, 517-518,
D9/522, 416, 435, 444, 460, 455, 414,
D9/499, 431-432; D7/560-562;
206/434, 426-427, 429-430, 485, 485.1,
206/499, 508, 431, 418-422, 588-594;
229/117.3, 185, 121, 122, 200, 207, 236,
229/87.01; 220/23.83; 150/100-118;
294/137, 152; 383/6, 10, 14, 20, 40, 33,
383/104-105, 117, 108, 120, 93, 121.1,
383/127; 428/34.3; D24/118
CPC B65D 33/00; B65D 33/06; B65D 33/065;
B65D 33/14; B65D 33/1683; B65D
33/12; B65D 31/00; B65D 31/04; B65D
31/10; B65F 1/06; B65F 1/00; B65F
1/0006; B65F 1/002; B65F 1/0026; B65F
2250/114
See application file for complete search history.

(56) **References Cited**

U.S. PATENT DOCUMENTS

D147,789 S * 11/1947 Hanson D3/244
D169,025 S * 3/1953 Arden D3/233
3,771,254 A 11/1973 Scott et al.

D565,964 S * 4/2008 Feenstra D3/312
D838,606 S * 1/2019 McConnell D9/705
2007/0065053 A1 3/2007 Feinberg
2010/0206872 A1 8/2010 Matsuzawa et al.

OTHER PUBLICATIONS

Stout Insect Repellent Trash Bags. Product listing [online]. Copyright © 2018 Zerbee.com [retrieved on Jan. 11, 2018]. Retrieved from the Internet: <URL: https://www.zerbee.com/Products/Stout-Insect-Repellent-Trash-Bags_STOP3752K20.aspx?cpch=g1&cptoken=DF9DD230&gclid=EA1aIQobChMIpYHfku3O2AIVVhuBCh1qQg1qEAQYASABEgJqoPD_BwE&onatalp=2903327941>.

* cited by examiner

Primary Examiner — Abraham Bahta
(74) *Attorney, Agent, or Firm* — Cramer Patent & Design, PLLC; Aaron R. Cramer

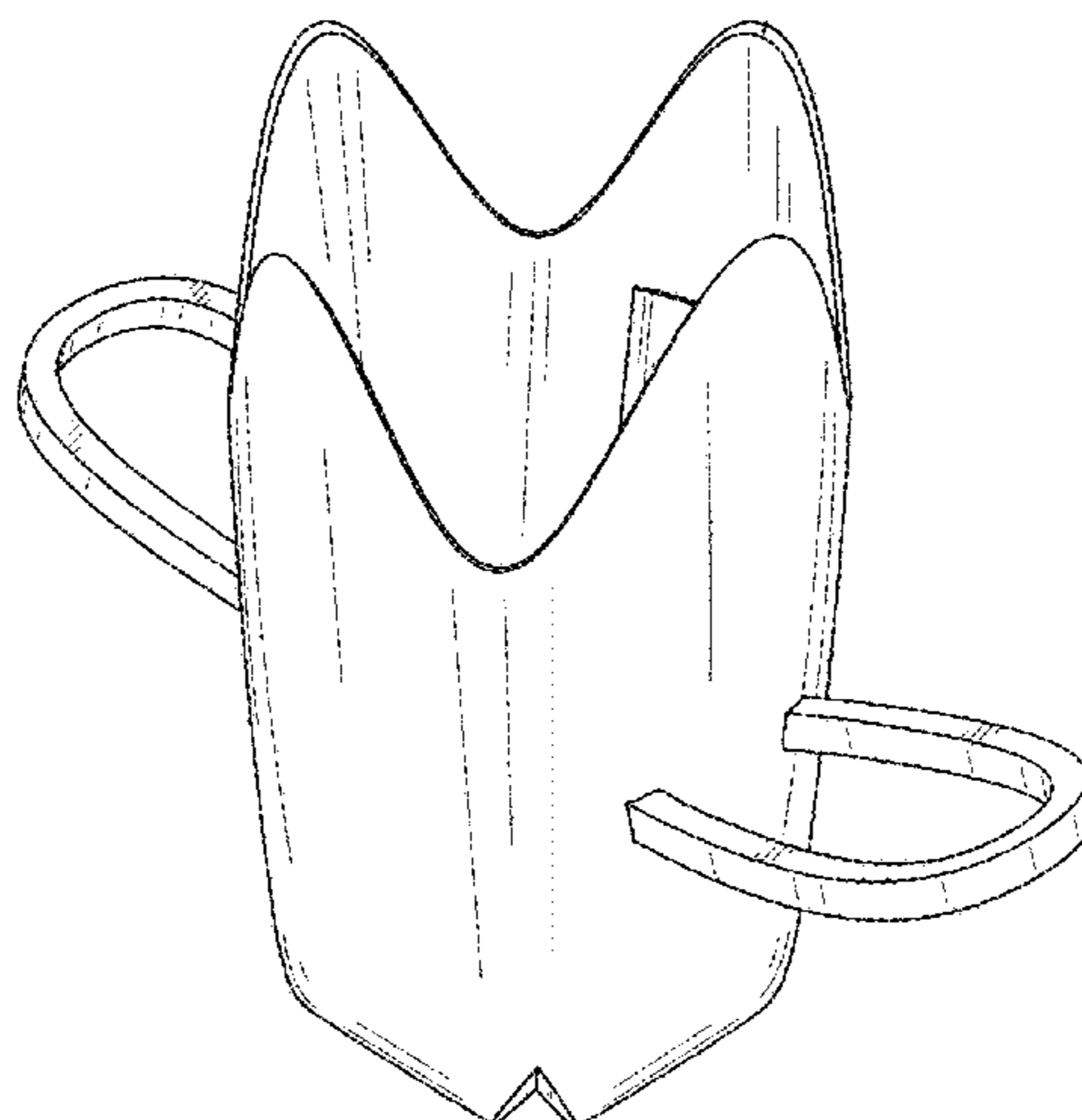
(57) **CLAIM**

The ornamental design for a refuse bag with insecticide, as shown and described.

DESCRIPTION

FIG. 1 is a perspective top front right view of a refuse bag with insecticide;
FIG. 2 is a perspective top rear left view thereof;
FIG. 3 is a front elevation view thereof;
FIG. 4 is a rear elevation view thereof;
FIG. 5 is a left elevation view thereof;
FIG. 6 is a right elevation view thereof;
FIG. 7 is a top plan view thereof; and,
FIG. 8 is a bottom plan thereof.
The broken line showing of folding pleated portions in FIGS. 7 and 8 is included for the purpose of illustrating environmental structure and forms no part of the claimed design.

1 Claim, 7 Drawing Sheets



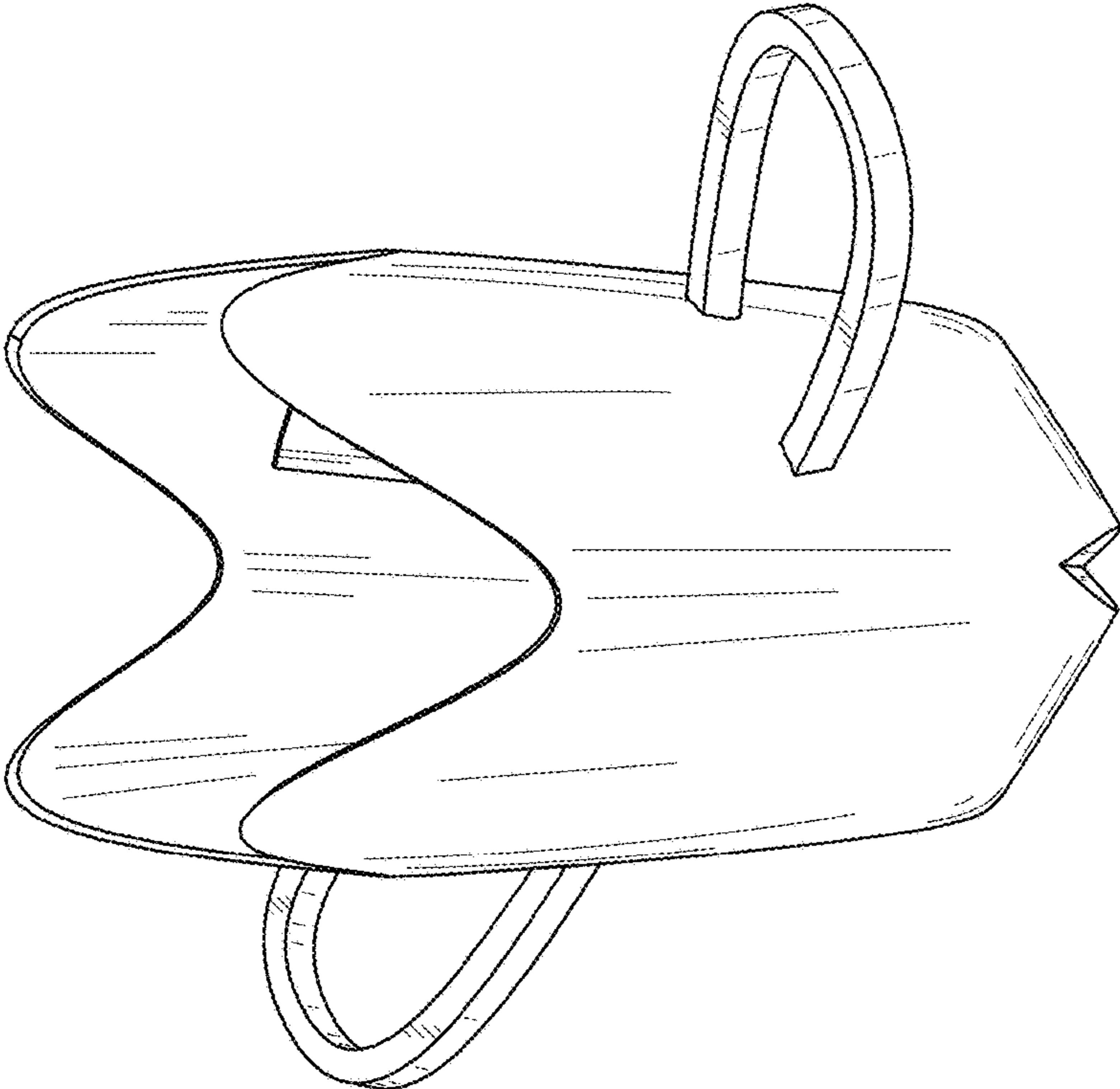


FIG. 1

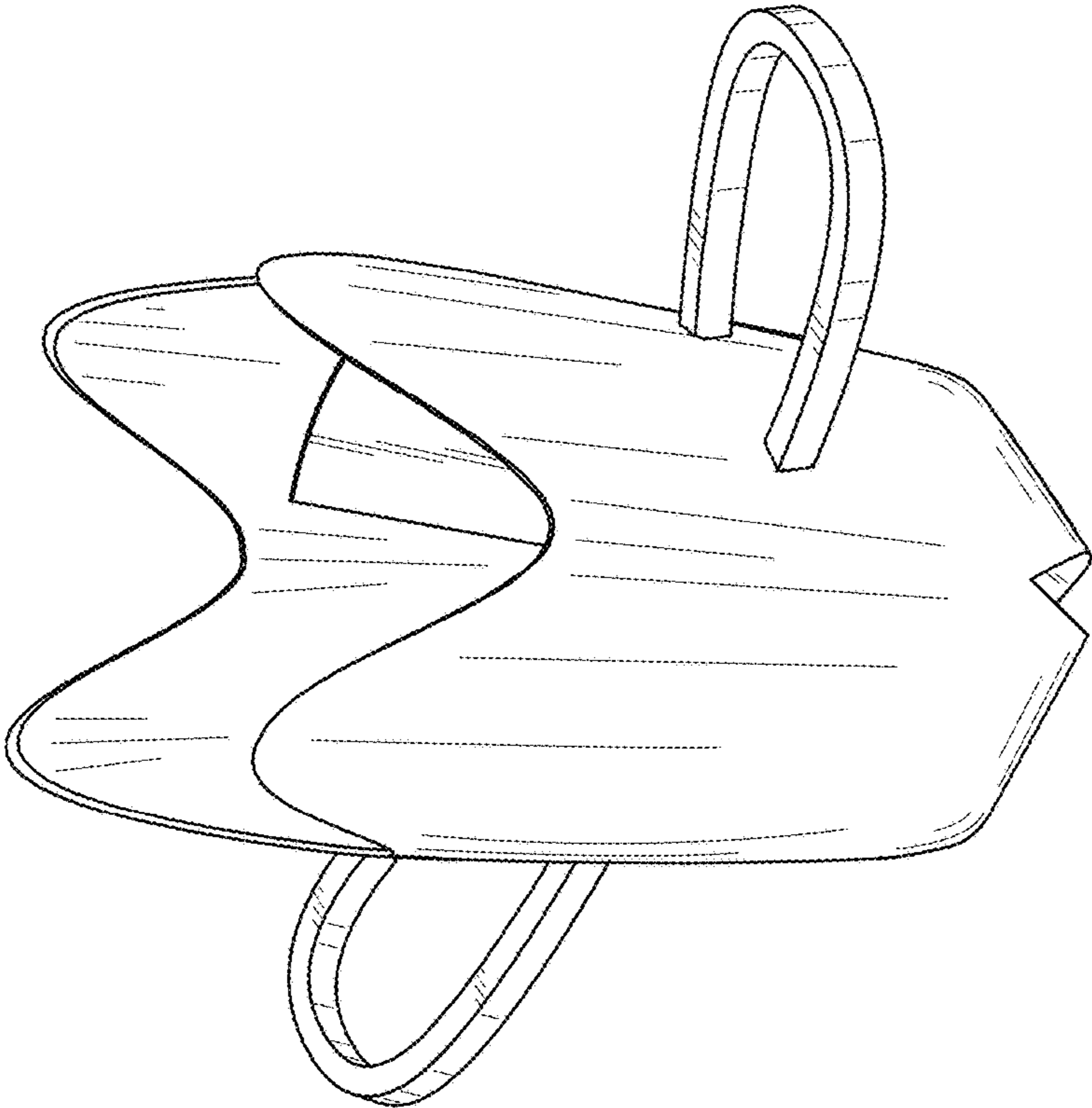


FIG. 2

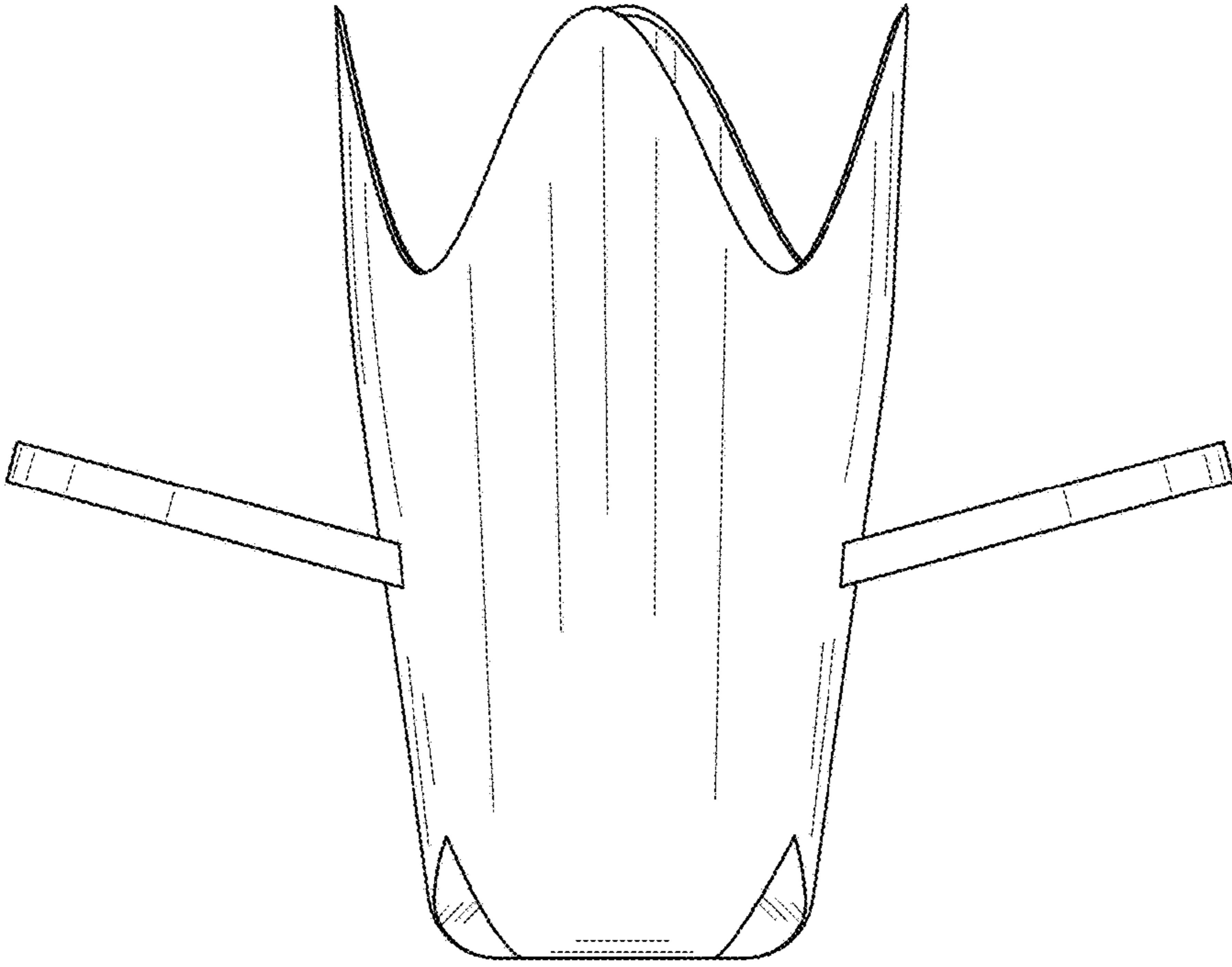


FIG. 3

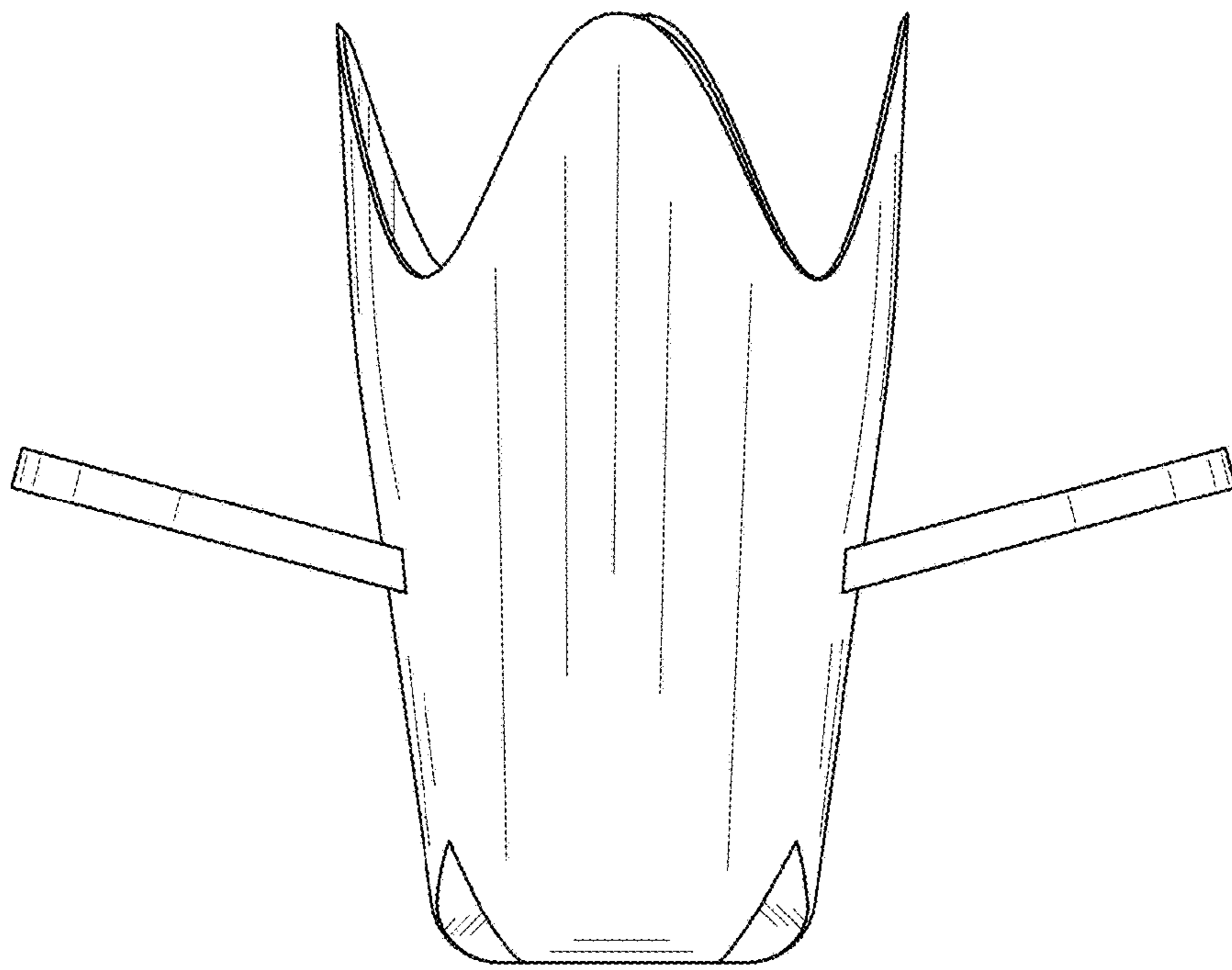


FIG. 4

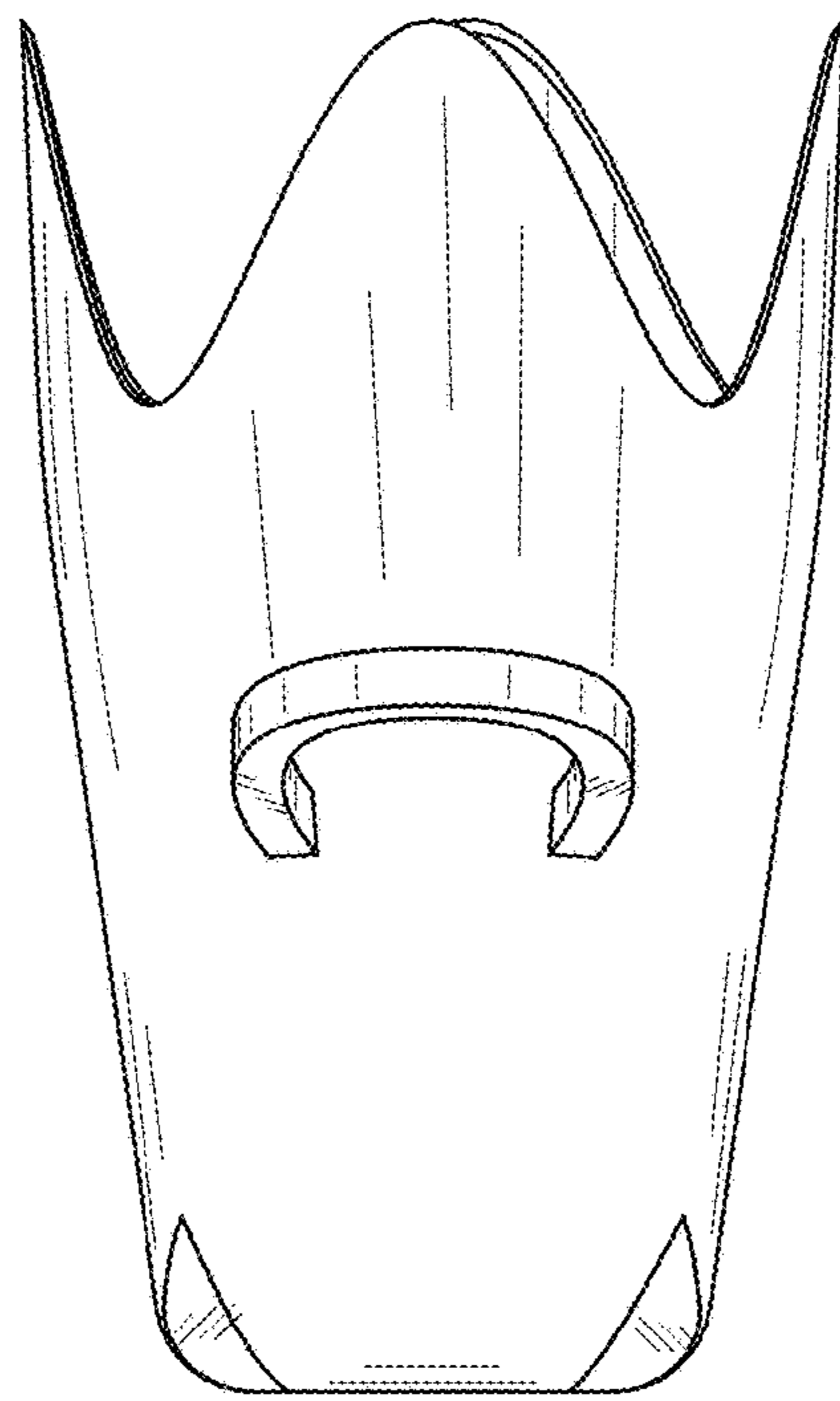


FIG. 5

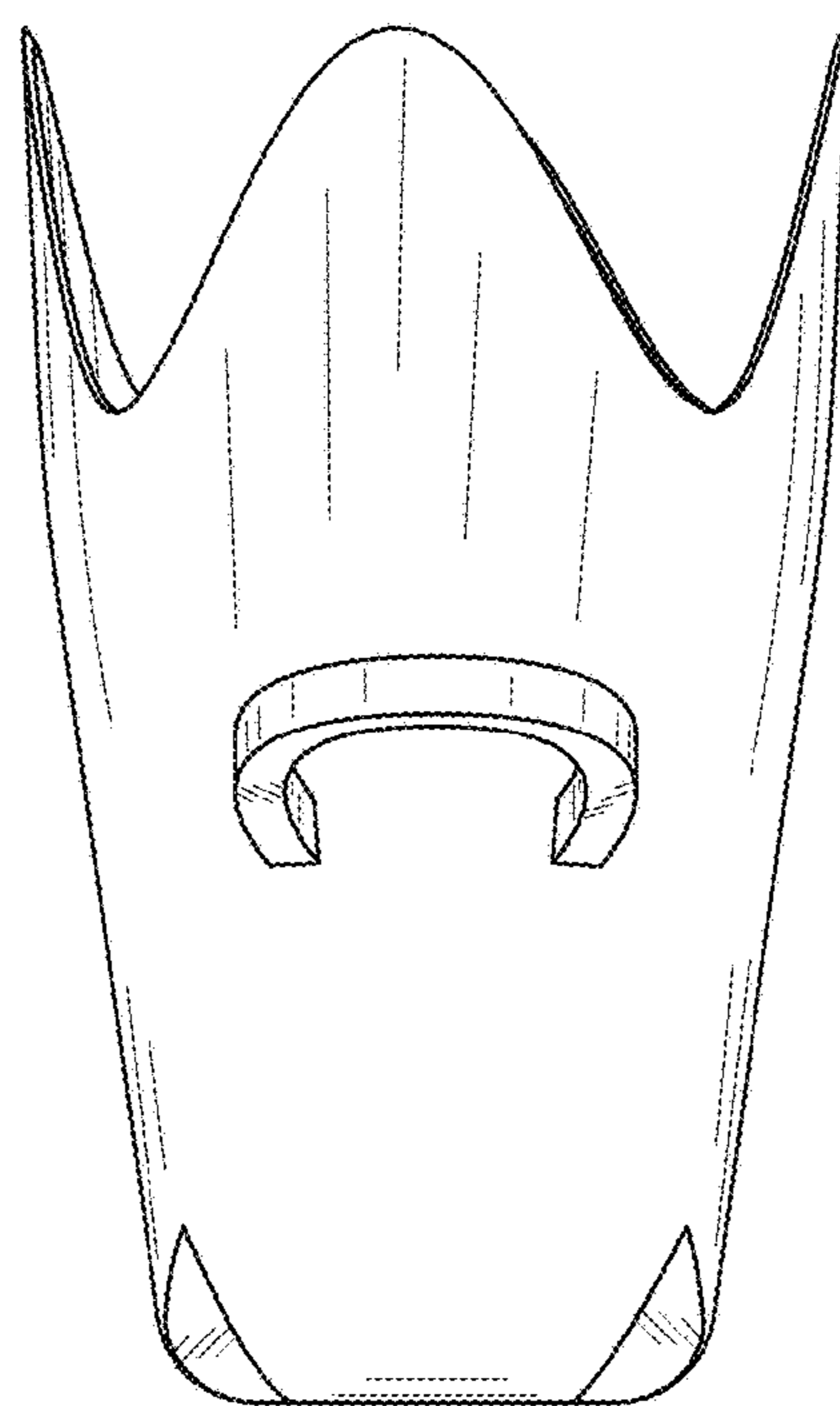


FIG. 6

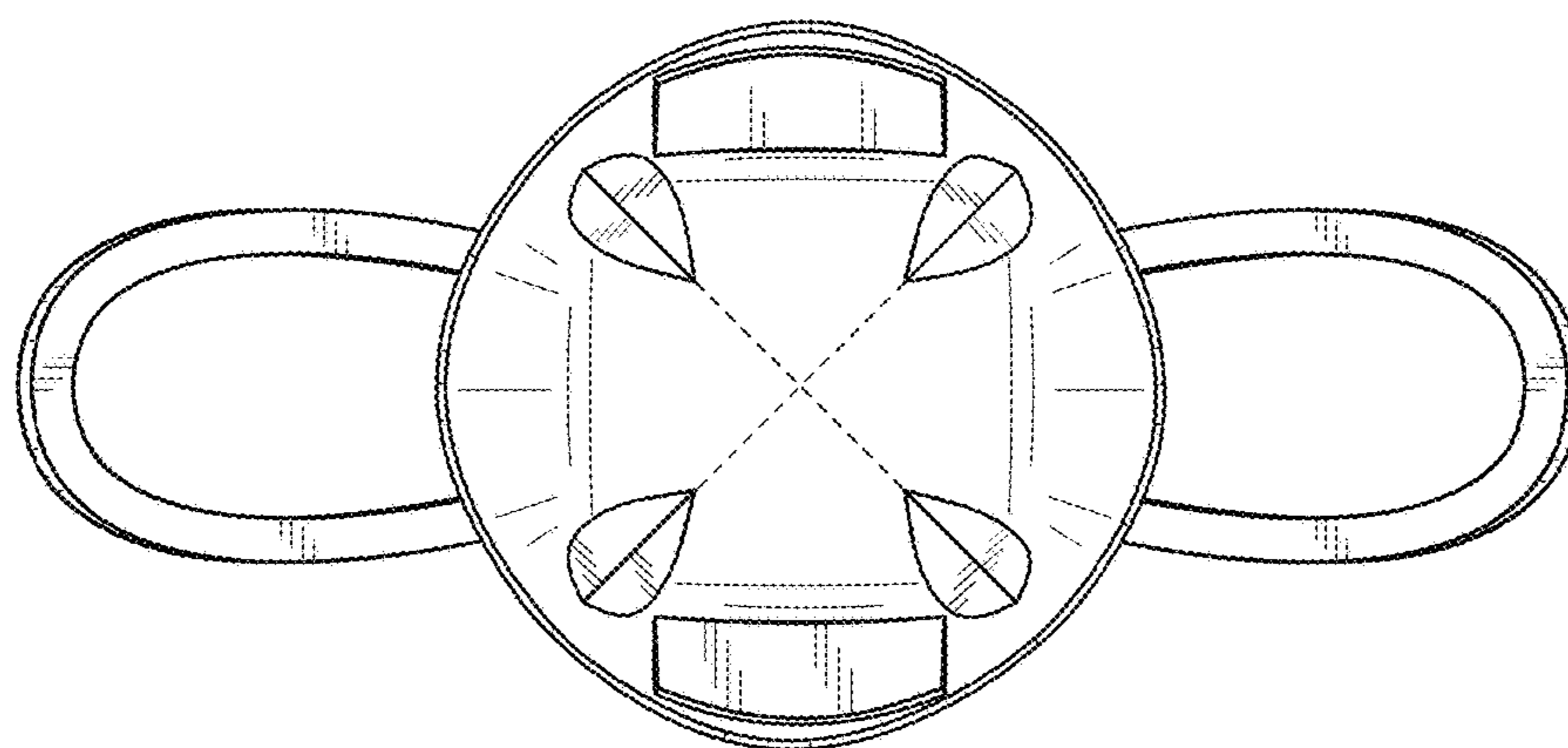


FIG. 7

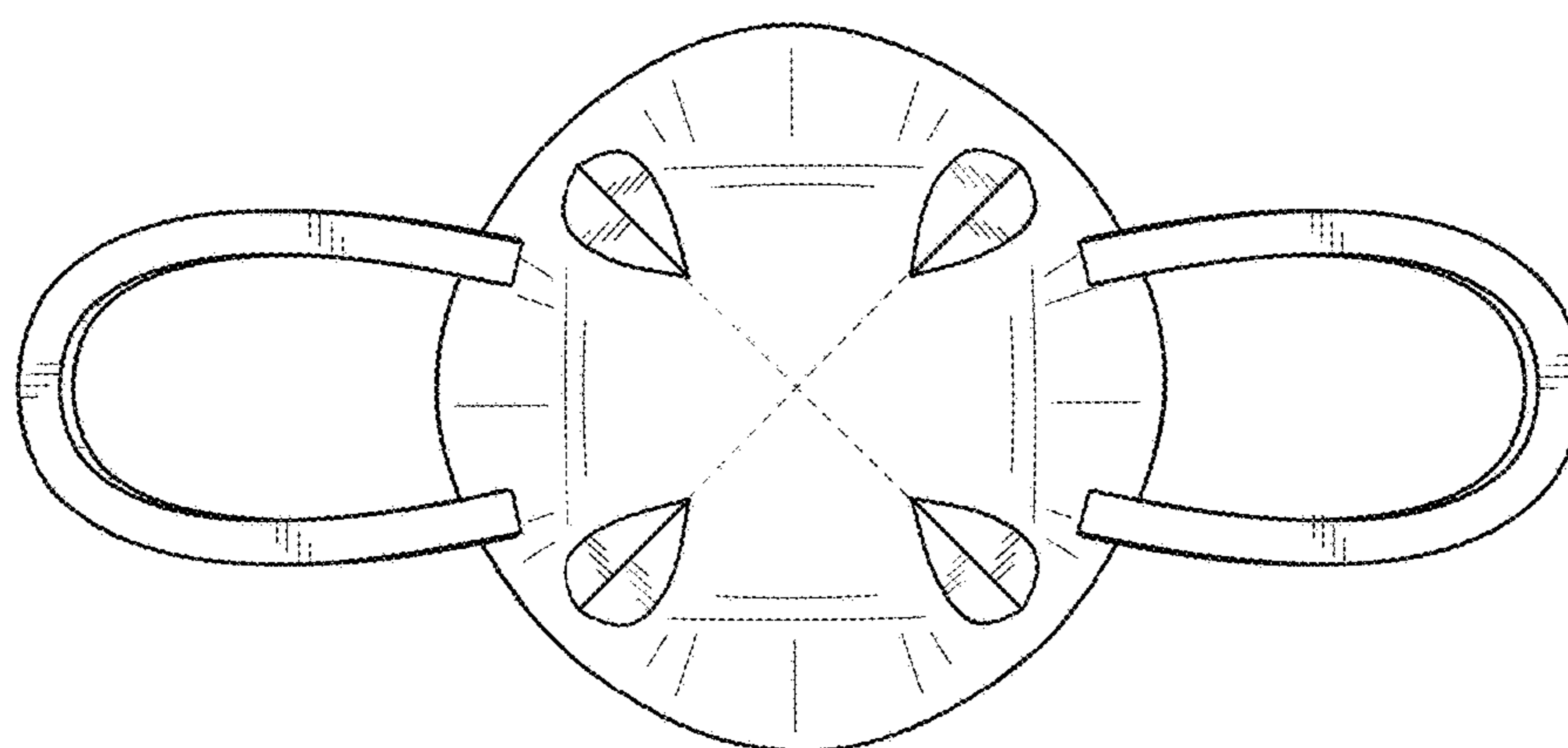


FIG. 8