

US00D867149S

(12) **United States Design Patent** (10) **Patent No.:** **US D867,149 S**  
**Rivoira** (45) **Date of Patent:** **\*\* Nov. 19, 2019**

(54) **BOTTLE**

(71) Applicant: **FONTI ALTA VALLE PO S.P.A.**,  
Paesana (IT)

(72) Inventor: **Gualtiero Rivoira**, Paesana (IT)

(73) Assignee: **FONTI ALTA VALLE PO S.P.A.**,  
Paesana (CN) (IT)

(\*\*) Term: **15 Years**

(21) Appl. No.: **35/505,717**

(22) Filed: **Mar. 23, 2018**

(80) **Hague Agreement Data**

Int. Filing Date: **Mar. 23, 2018**

Int. Reg. No.: **DM/102063**

Int. Reg. Date: **Mar. 23, 2018**

Int. Reg. Pub. Date: **Sep. 28, 2018**

(30) **Foreign Application Priority Data**

Sep. 25, 2017 (EM) ..... 004370906

(51) **LOC (12) Cl.** ..... **09-01**

(52) **U.S. Cl.**  
USPC ..... **D9/549**

(58) **Field of Classification Search**

USPC ..... D9/549, 774, 520, 500, 443, 538, 452,  
D9/559, 516, 519, 552

CPC ..... B65D 33/00

See application file for complete search history.

(56) **References Cited**

**U.S. PATENT DOCUMENTS**

D272,521 S \* 2/1984 Glenn ..... D9/520  
D489,987 S \* 5/2004 Ogata ..... D9/774

D491,066 S \* 6/2004 Le Goff ..... D9/500  
D546,687 S \* 7/2007 Boukobza ..... D9/516  
D550,563 S \* 9/2007 Lundberg ..... D9/552  
D569,251 S \* 5/2008 Varlet ..... D9/500  
D632,576 S \* 2/2011 Hermel ..... D9/519  
D640,930 S \* 7/2011 Swanson ..... D9/500  
D742,745 S \* 11/2015 Letamendi ..... D9/516  
D742,753 S \* 11/2015 Bishop ..... D9/559  
D764,297 S \* 8/2016 Impedovo ..... D9/538  
D786,686 S \* 5/2017 Robin-Prevallee ..... D9/452  
D826,059 S \* 8/2018 Naveau ..... D9/538  
D827,435 S \* 9/2018 Griffis ..... D9/443  
D850,269 S \* 6/2019 Koenick ..... D9/516

\* cited by examiner

*Primary Examiner* — Rhea Shields

(74) *Attorney, Agent, or Firm* — Dorsey & Whitney LLP

(57) **CLAIM**

The ornamental design for a bottle, as shown and described.

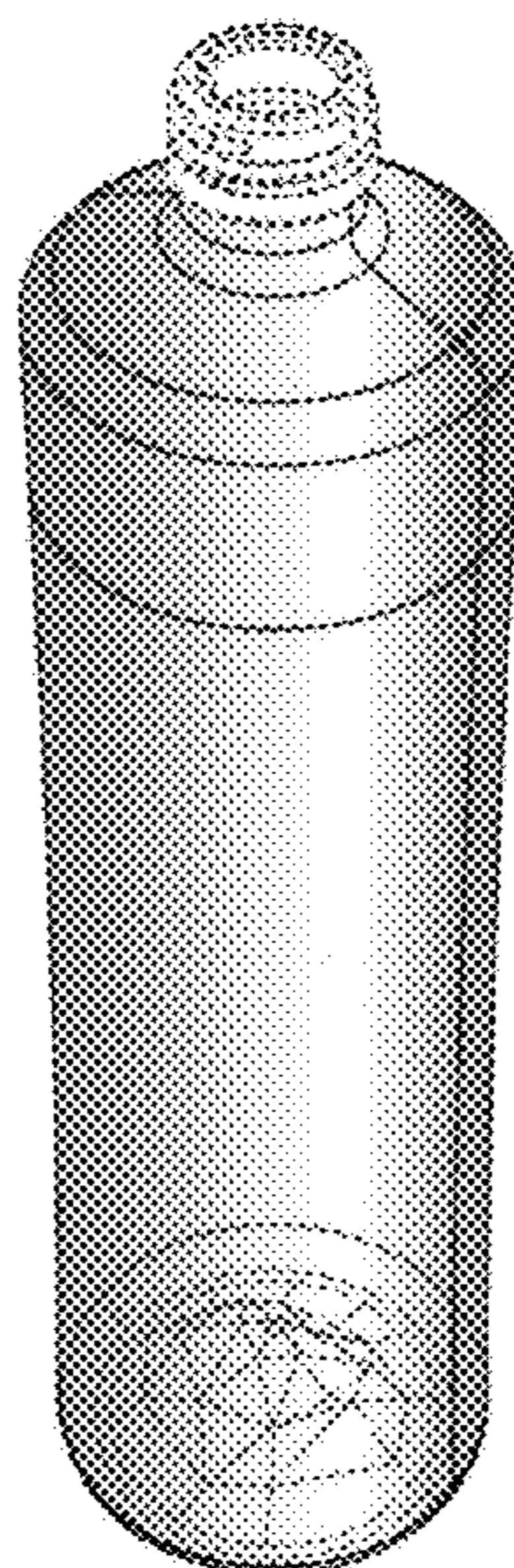
**DESCRIPTION**

- 1. Bottle
- 1.1 : Perspective
- 1.2 : Front
- 1.3 : Back
- 1.4 : First lateral view
- 1.5 : Second lateral view
- 1.6 : Top
- 1.7 : Bottom

The present design relates to a bottle comprising a transparent lateral wall and a bottom wall, wherein the bottom wall has a central recess, which is visible through the lateral wall and is delimited by a shaped profile resembling a mountain.

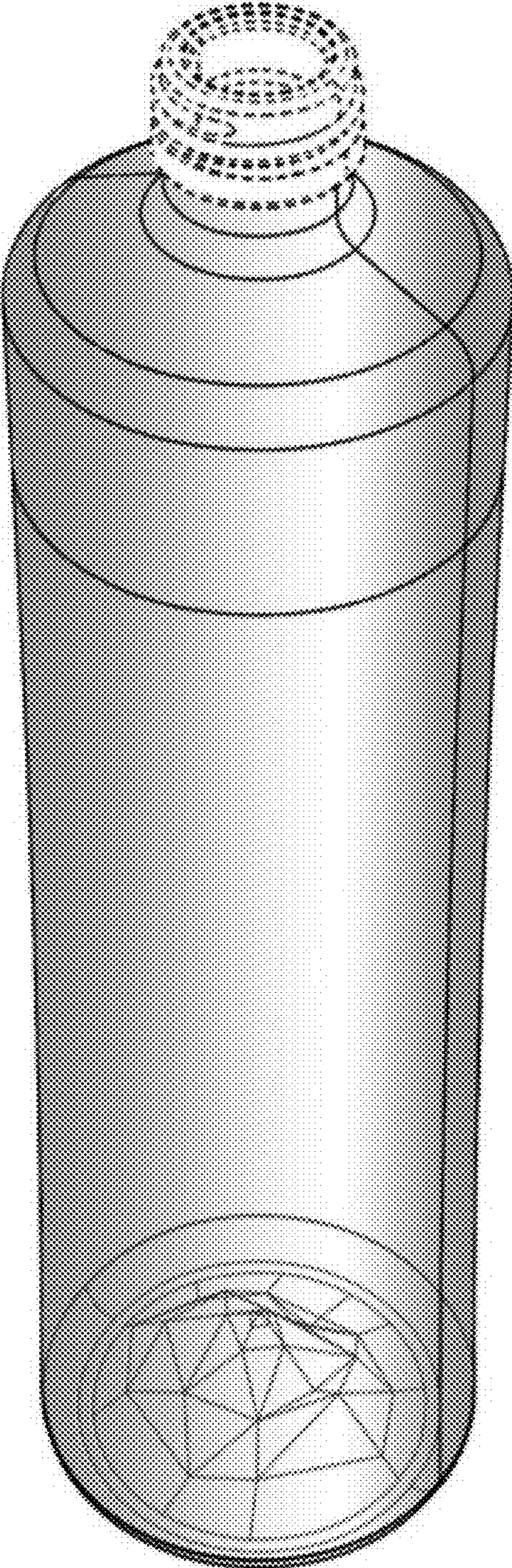
In the reproductions, the broken lines are for the purpose of illustrating environment only and form no part of the claimed design.

**1 Claim, 7 Drawing Sheets**



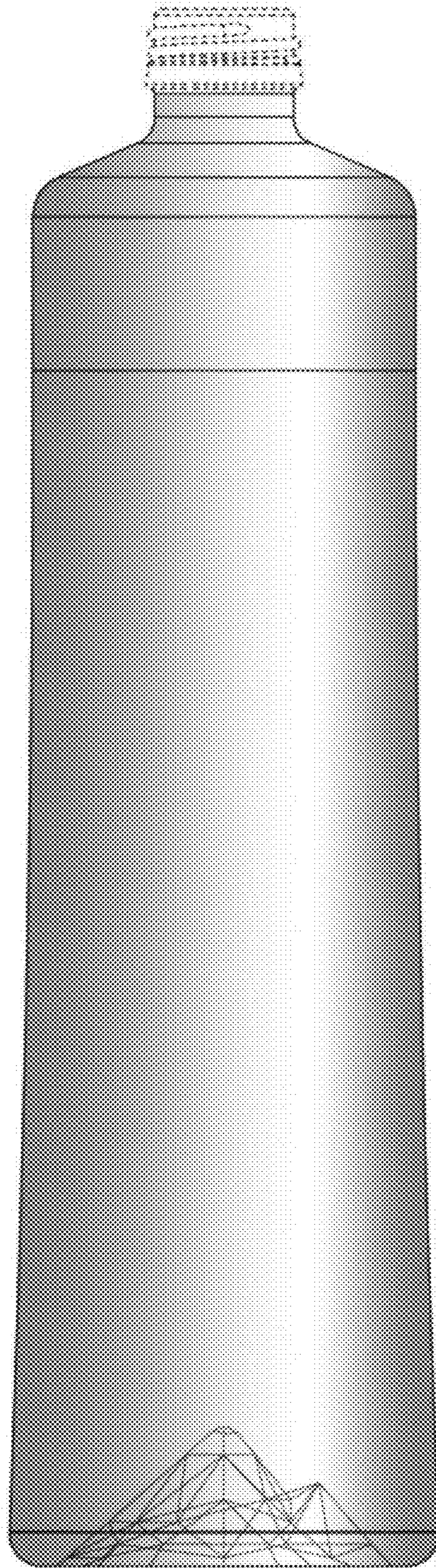


1.1



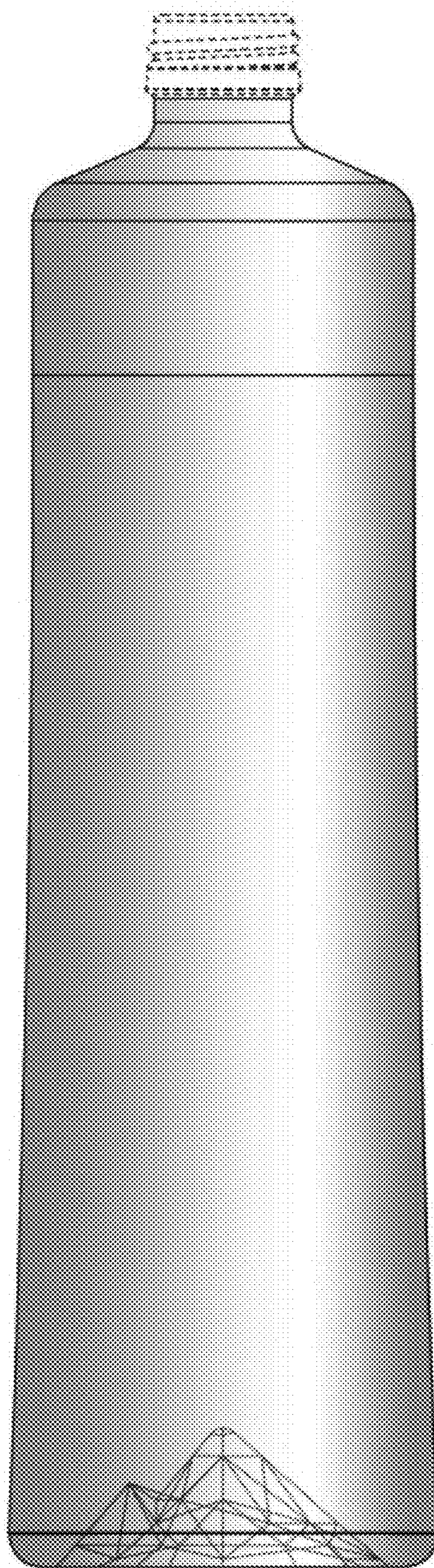


1.2



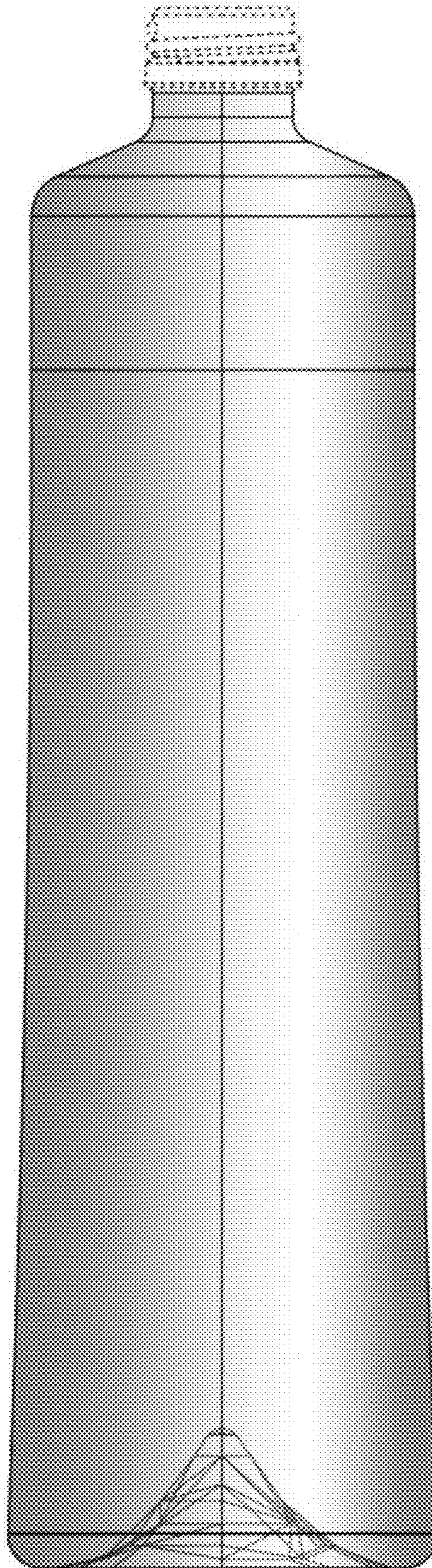


1.3



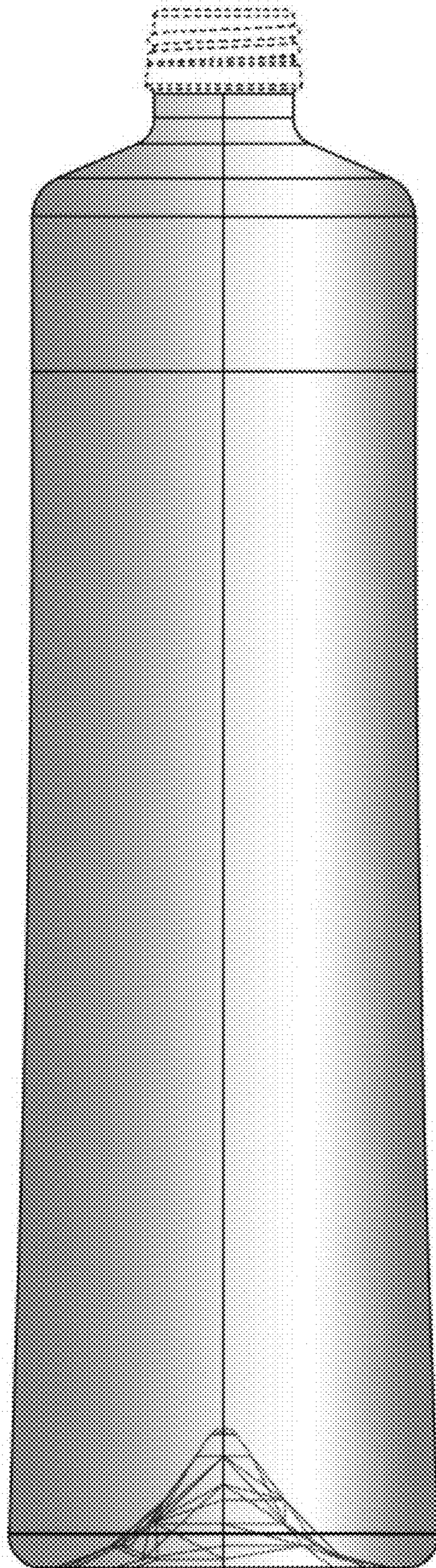


1.4

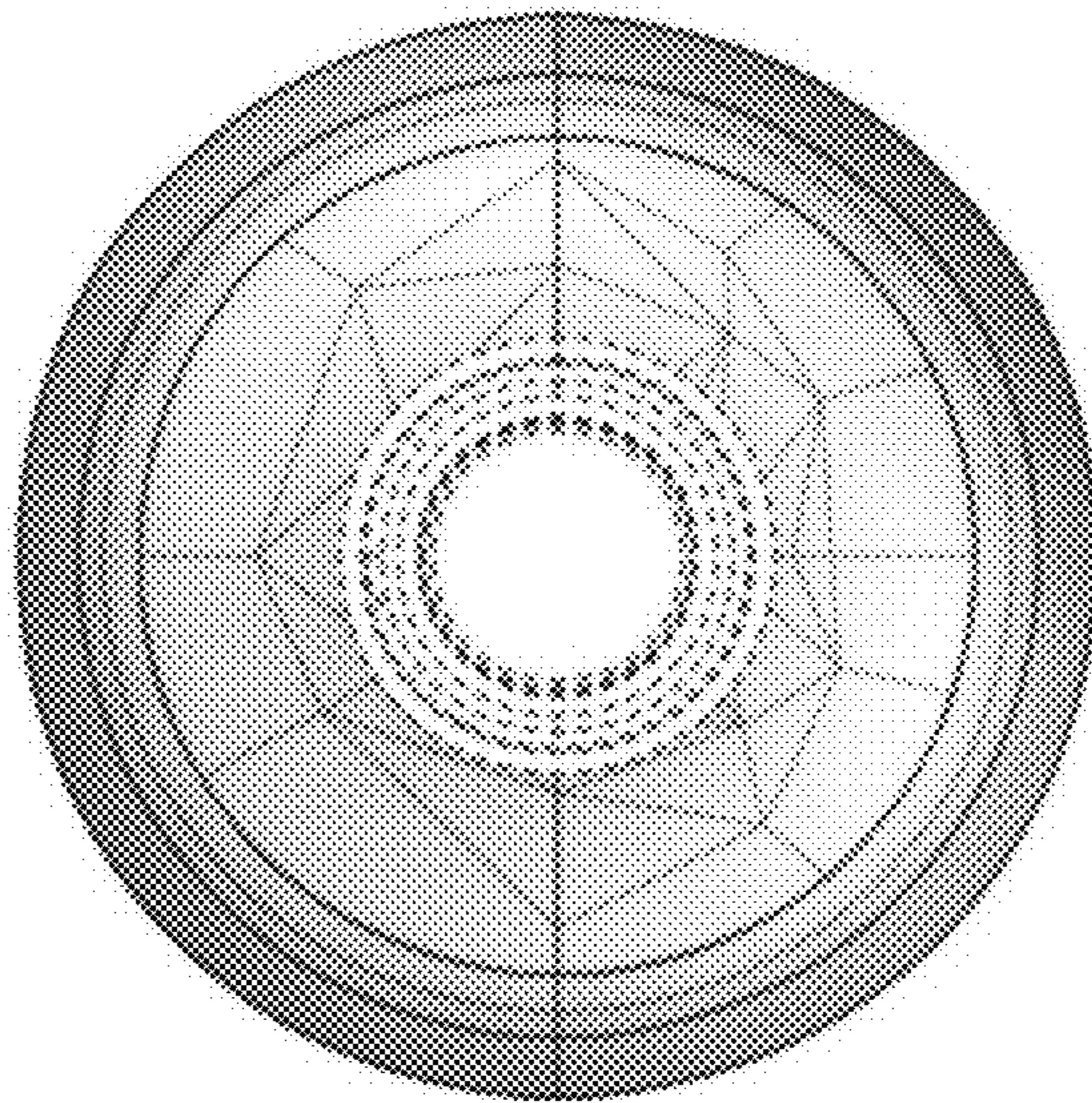




1.5



1.6





1.7

