



US00D867148S

(12) **United States Design Patent** (10) **Patent No.:** **US D867,148 S**  
**Castillo Higareda et al.** (45) **Date of Patent:** **\*\* Nov. 19, 2019**

(54) **BOTTLE**

25/2894; B65D 25/2897; B65D 1/023;  
B65D 2501/00; B65D 2501/0009; B65D  
2501/0081; B05B 11/0037

(71) Applicant: **S. C. Johnson & Son, Inc.**, Racine, WI  
(US)

See application file for complete search history.

(72) Inventors: **Jose de Jesus Castillo Higareda**,  
Racine, WI (US); **Peter M. Neumann**,  
Racine, WI (US); **Holger Hampf**,  
Munich (DE); **Matthew D. Hern**,  
Malibu, CA (US); **Gary B. Swetish**,  
Racine, WI (US); **Benjamin R. Lloyd**,  
Milwaukee, WI (US)

(56) **References Cited**

U.S. PATENT DOCUMENTS

|             |         |                 |
|-------------|---------|-----------------|
| D47,355 S   | 5/1915  | Coane           |
| 2,639,521 A | 5/1953  | Rickettson      |
| D216,584 S  | 2/1970  | Hills           |
| D229,890 S  | 1/1974  | Pardo           |
| 3,825,142 A | 7/1974  | Campagna        |
| D238,753 S  | 2/1976  | McKinney et al. |
| 3,993,250 A | 11/1976 | Shure           |

(Continued)

(73) Assignee: **S. C. Johnson & Son, Inc.**, Racine, WI  
(US)

FOREIGN PATENT DOCUMENTS

(\*\*) Term: **15 Years**

|    |               |         |
|----|---------------|---------|
| EP | 0751071 A1    | 1/1997  |
| WO | 2004028910 A1 | 4/2004  |
| WO | 2005123517 A1 | 12/2005 |

(21) Appl. No.: **29/685,317**

*Primary Examiner* — Dana Meyrow

(22) Filed: **Mar. 27, 2019**

**Related U.S. Application Data**

(60) Division of application No. 29/640,135, filed on Mar. 12, 2018, now Pat. No. Des. 849,544, which is a division of application No. 29/512,929, filed on Dec. 23, 2014, now Pat. No. Des. 814,932, which is a division of application No. 29/412,300, filed on Feb. 1, 2012, now Pat. No. Des. 722,882, which is a continuation-in-part of application No. 29/380,459, filed on Dec. 6, 2010, now Pat. No. Des. 660,714.

(57) **CLAIM**

The ornamental design for a bottle, as shown and described.

(51) **LOC (12) Cl.** ..... **09-01**

(52) **U.S. Cl.**

USPC ..... **D9/543**; D9/564

(58) **Field of Classification Search**

USPC ..... D9/516, 523, 528, 530, 543, 571, 575,  
D9/682, 685, 564, 570; D23/225;  
215/379, 381-384; 220/660, 669, 675;  
222/321.7, 383.1, 630-631

CPC ..... B65D 1/00; B65D 1/02; B65D 1/0223;  
B65D 1/40; B65D 23/00; B65D 23/10;  
B65D 23/102; B65D 25/00; B65D 25/28;  
B65D 25/2882; B65D 25/2888; B65D

**DESCRIPTION**

FIG. 1 is a perspective view of a bottle showing our new design;

FIG. 2 is a left side view thereof;

FIG. 3 is a right side view thereof;

FIG. 4 is a front view thereof;

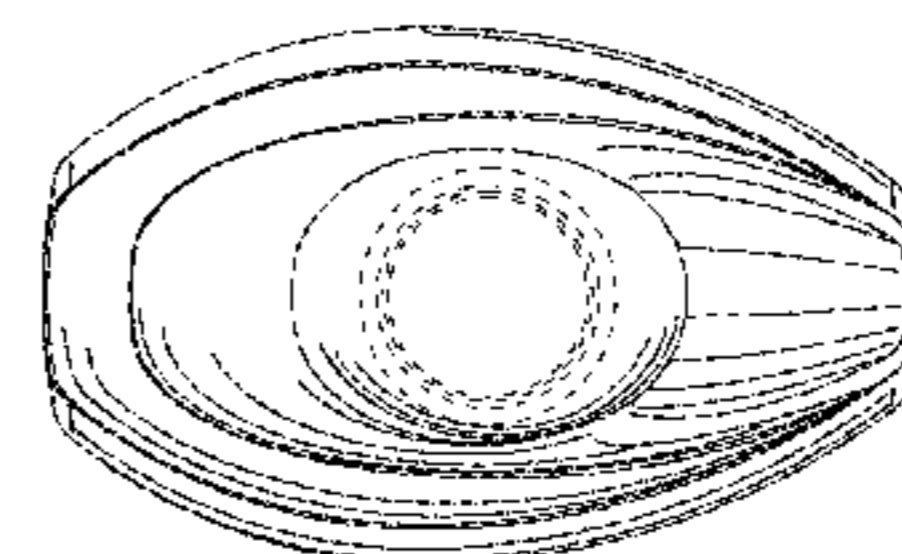
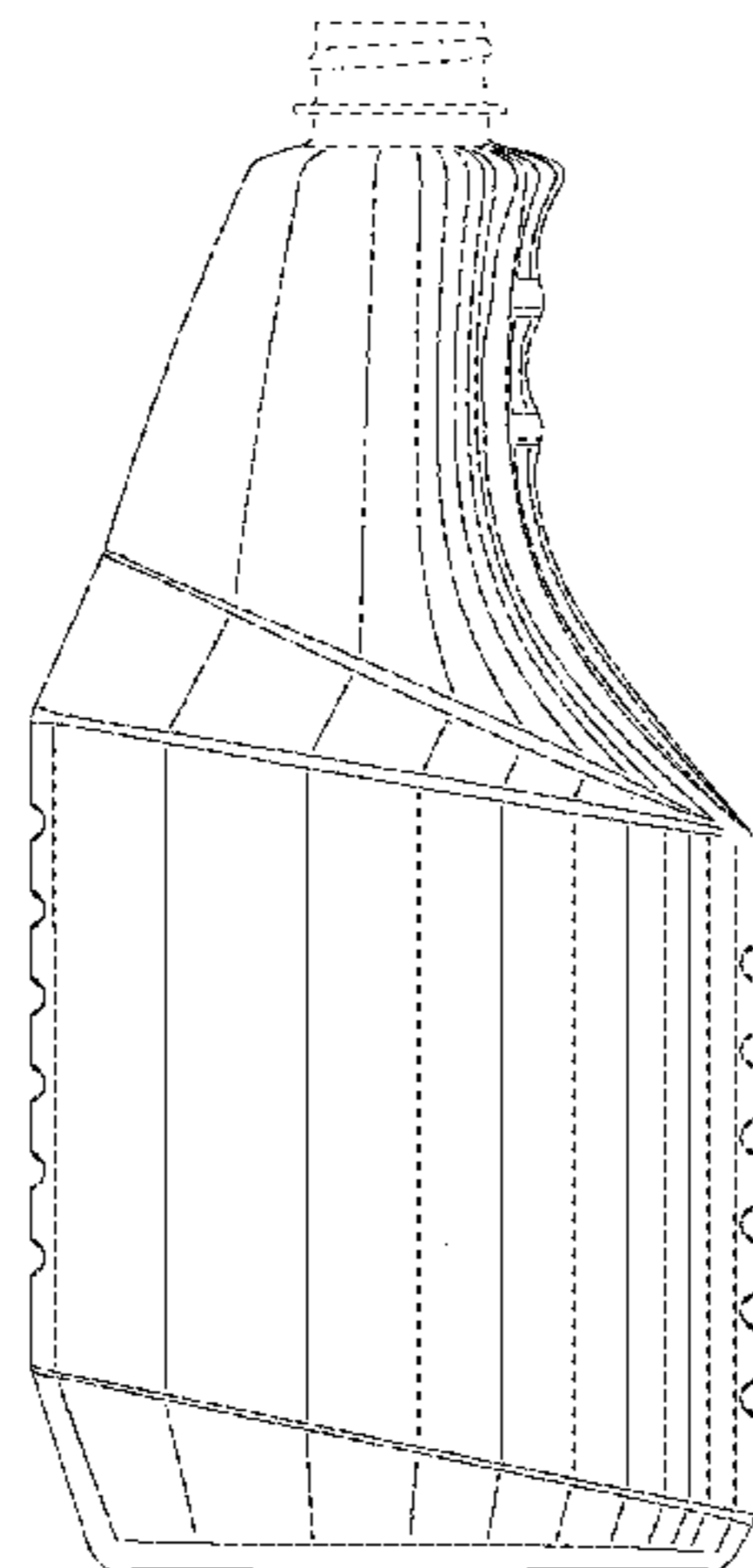
FIG. 5 is a rear view thereof;

FIG. 6 is a top view thereof; and,

FIG. 7 is a bottom view thereof.

The broken lines in the drawings illustrate the portions of the bottle that form no part of the claimed design.

**1 Claim, 6 Drawing Sheets**



(56)

References Cited

U.S. PATENT DOCUMENTS

|              |         |                   |        |              |         |                  |        |
|--------------|---------|-------------------|--------|--------------|---------|------------------|--------|
| D244,991 S   | 7/1977  | Weckman et al.    |        | 6,161,713 A  | 12/2000 | Krich            |        |
| D254,709 S   | 4/1980  | McCredie          |        | 6,164,474 A  | 12/2000 | Cheng et al.     |        |
| D255,650 S   | 7/1980  | Britt             |        | D440,159 S   | 4/2001  | Guislain         |        |
| D259,094 S   | 5/1981  | Weckman           |        | 6,247,606 B1 | 6/2001  | Zogg             |        |
| D263,448 S   | 3/1982  | Turcotte          |        | 6,264,073 B1 | 7/2001  | Good et al.      |        |
| D265,887 S * | 8/1982  | Weckman .....     | D9/523 | D447,954 S   | 9/2001  | Cummings         |        |
| D267,701 S * | 1/1983  | Pardo .....       | D9/523 | D451,792 S   | 12/2001 | Siebert et al.   |        |
| 4,775,078 A  | 10/1988 | Schick et al.     |        | 6,349,838 B1 | 2/2002  | Saito et al.     |        |
| 4,837,892 A  | 6/1989  | Lo                |        | D454,069 S   | 3/2002  | Guislain         |        |
| D303,628 S * | 9/1989  | Beaver .....      | D9/523 | D454,504 S   | 3/2002  | Siebert et al.   |        |
| D305,612 S   | 1/1990  | Haworth           |        | D454,779 S   | 3/2002  | Siebert et al.   |        |
| D311,489 S   | 10/1990 | Holmes            |        | D454,787 S   | 3/2002  | Cummings         |        |
| 4,970,220 A  | 11/1990 | Chaussee          |        | D455,352 S   | 4/2002  | Siebert et al.   |        |
| D314,140 S   | 1/1991  | Kornick et al.    |        | 6,398,052 B1 | 6/2002  | Cheng et al.     |        |
| D323,110 S   | 1/1992  | Simms et al.      |        | 6,431,401 B1 | 8/2002  | Giblin et al.    |        |
| D328,422 S   | 8/1992  | Fuchs et al.      |        | 6,464,106 B1 | 10/2002 | Giblin et al.    |        |
| D328,712 S   | 8/1992  | Butler et al.     |        | 6,497,333 B1 | 12/2002 | Ellis et al.     |        |
| D329,815 S   | 9/1992  | Beaver et al.     |        | D468,194 S   | 1/2003  | Siebert et al.   |        |
| D329,816 S   | 9/1992  | Beaver et al.     |        | 6,536,977 B1 | 3/2003  | Hammel           |        |
| D330,515 S   | 10/1992 | Patel et al.      |        | 6,575,321 B2 | 6/2003  | Bourque et al.   |        |
| 5,156,285 A  | 10/1992 | Zogg et al.       |        | 6,585,123 B1 | 7/2003  | Pedmo et al.     |        |
| D334,343 S * | 3/1993  | Leslie .....      | D9/523 | D480,005 S   | 9/2003  | Conway           |        |
| 5,195,664 A  | 3/1993  | Rhea              |        | D481,305 S   | 10/2003 | Walters et al.   |        |
| 5,217,128 A  | 6/1993  | Stenger           |        | 6,662,960 B2 | 12/2003 | Hong et al.      |        |
| 5,232,107 A  | 8/1993  | Krall et al.      |        | D484,805 S   | 1/2004  | Colangelo et al. |        |
| 5,238,129 A  | 8/1993  | Ota               |        | D485,747 S   | 1/2004  | Crawford         |        |
| D342,451 S * | 12/1993 | Warner .....      | D9/543 | D486,067 S   | 2/2004  | Colangelo et al. |        |
| D342,678 S * | 12/1993 | Warner .....      | D9/523 | D486,068 S   | 2/2004  | Crawford et al.  |        |
| D347,385 S * | 5/1994  | Kunesh .....      | D9/694 | D486,397 S * | 2/2004  | Crawford .....   | D9/523 |
| 5,381,910 A  | 1/1995  | Sugiura et al.    |        | D486,743 S   | 2/2004  | Nelson et al.    |        |
| 5,407,086 A  | 4/1995  | Ota et al.        |        | 6,695,162 B1 | 2/2004  | Boukobza et al.  |        |
| D358,198 S   | 5/1995  | Wadsworth         |        | D487,223 S   | 3/2004  | Arai et al.      |        |
| D366,692 S   | 1/1996  | Wadsworth         |        | D487,401 S   | 3/2004  | Cotton et al.    |        |
| D372,428 S   | 8/1996  | Malmquist         |        | D488,066 S   | 4/2004  | Nelson et al.    |        |
| D374,625 S   | 10/1996 | Flurer et al.     |        | D489,621 S   | 5/2004  | Grisdale et al.  |        |
| D383,394 S   | 9/1997  | Davis             |        | D490,700 S   | 6/2004  | Conway et al.    |        |
| D388,330 S   | 12/1997 | Zimmer            |        | 6,763,969 B1 | 7/2004  | Melrose et al.   |        |
| D391,856 S   | 3/1998  | Lynd              |        | D493,723 S   | 8/2004  | Nelson et al.    |        |
| 5,735,420 A  | 4/1998  | Nakamaki et al.   |        | D497,971 S   | 11/2004 | Conway et al.    |        |
| 5,761,759 A  | 6/1998  | Leversby et al.   |        | D498,670 S   | 11/2004 | Cummings et al.  |        |
| D399,734 S   | 10/1998 | Luh et al.        |        | D501,142 S   | 1/2005  | Pattison         |        |
| D401,504 S   | 11/1998 | Bolliger et al.   |        | D501,405 S * | 2/2005  | Feen .....       | D9/523 |
| 5,833,115 A  | 11/1998 | Eiten             |        | D501,796 S * | 2/2005  | Crawford .....   | D9/523 |
| D402,204 S   | 12/1998 | Jennings          |        | D507,493 S   | 7/2005  | Nelson et al.    |        |
| D403,588 S * | 1/1999  | Jungmann .....    | D9/523 | 6,923,334 B2 | 8/2005  | Melrose et al.   |        |
| D406,052 S   | 2/1999  | Dumont et al.     |        | D510,705 S   | 10/2005 | Crawford         |        |
| D406,060 S   | 2/1999  | Dumont et al.     |        | D510,869 S   | 10/2005 | Gross et al.     |        |
| D406,765 S   | 3/1999  | Zimmer et al.     |        | 6,964,347 B2 | 11/2005 | Miura            |        |
| 5,875,940 A  | 3/1999  | Mayfield          |        | D512,916 S   | 12/2005 | Floyd et al.     |        |
| D409,487 S   | 5/1999  | Wadsworth et al.  |        | 6,974,047 B2 | 12/2005 | Kelley et al.    |        |
| 5,908,127 A  | 6/1999  | Weick et al.      |        | D514,933 S   | 2/2006  | Bitowft et al.   |        |
| D413,808 S   | 9/1999  | Bolliger et al.   |        | D518,376 S   | 4/2006  | Floyd et al.     |        |
| D414,700 S   | 10/1999 | Zogg              |        | D519,371 S   | 4/2006  | Hornsby et al.   |        |
| D415,430 S   | 10/1999 | Bodker et al.     |        | 7,051,890 B2 | 5/2006  | Onoda et al.     |        |
| D415,689 S   | 10/1999 | Voight et al.     |        | D524,660 S   | 7/2006  | Floyd et al.     |        |
| D416,802 S   | 11/1999 | Zimmer et al.     |        | D525,137 S   | 7/2006  | Helps            |        |
| D418,063 S   | 12/1999 | Feen              |        | D525,527 S   | 7/2006  | Ogg              |        |
| D419,875 S   | 2/2000  | Wadsworth et al.  |        | 7,108,146 B2 | 9/2006  | Itokawa et al.   |        |
| D419,884 S   | 2/2000  | Zimmer et al.     |        | D533,782 S   | 12/2006 | Ogg et al.       |        |
| D420,290 S   | 2/2000  | Dean et al.       |        | D533,786 S   | 12/2006 | Ogg et al.       |        |
| D420,918 S * | 2/2000  | Hefter .....      | D9/523 | D536,258 S   | 2/2007  | Ogg et al.       |        |
| D421,388 S   | 3/2000  | Cummings          |        | D536,982 S   | 2/2007  | Conway           |        |
| D422,216 S   | 4/2000  | Brozell           |        | D543,854 S   | 6/2007  | Conway           |        |
| D422,493 S   | 4/2000  | Clarke            |        | D545,197 S   | 6/2007  | Adamson et al.   |        |
| D422,901 S   | 4/2000  | Young et al.      |        | 7,228,981 B2 | 6/2007  | Chisholm         |        |
| D423,362 S   | 4/2000  | Di Bartolo et al. |        | D547,660 S   | 7/2007  | Lepoitevin       |        |
| D425,428 S   | 5/2000  | Zimmer et al.     |        | D556,045 S   | 11/2007 | Kamath et al.    |        |
| 6,059,152 A  | 5/2000  | Mayfield          |        | D556,583 S   | 12/2007 | Gurst et al.     |        |
| D427,078 S   | 6/2000  | Schaaf et al.     |        | D557,608 S * | 12/2007 | Feen .....       | D9/523 |
| D429,159 S   | 8/2000  | Feen              |        | 7,318,533 B2 | 1/2008  | Kelley           |        |
| 6,095,360 A  | 8/2000  | Shmagin et al.    |        | D568,748 S   | 5/2008  | Harrison et al.  |        |
| D432,426 S   | 10/2000 | Caughey et al.    |        | D575,160 S   | 8/2008  | Mueller et al.   |        |
| 6,138,873 A  | 10/2000 | Gramola           |        | D581,282 S   | 11/2008 | Lepoitevin       |        |
| D433,335 S   | 11/2000 | Zimmer et al.     |        | D581,805 S   | 12/2008 | Suxdorf          |        |
| D434,327 S   | 11/2000 | Di Bartolo et al. |        | D583,677 S   | 12/2008 | Harrison et al.  |        |
|              |         |                   |        | D584,617 S   | 1/2009  | Harrison et al.  |        |
|              |         |                   |        | 7,481,326 B2 | 1/2009  | Itokawa et al.   |        |
|              |         |                   |        | D593,416 S * | 6/2009  | Medema .....     | D9/523 |
|              |         |                   |        | D599,674 S   | 9/2009  | Lee et al.       |        |



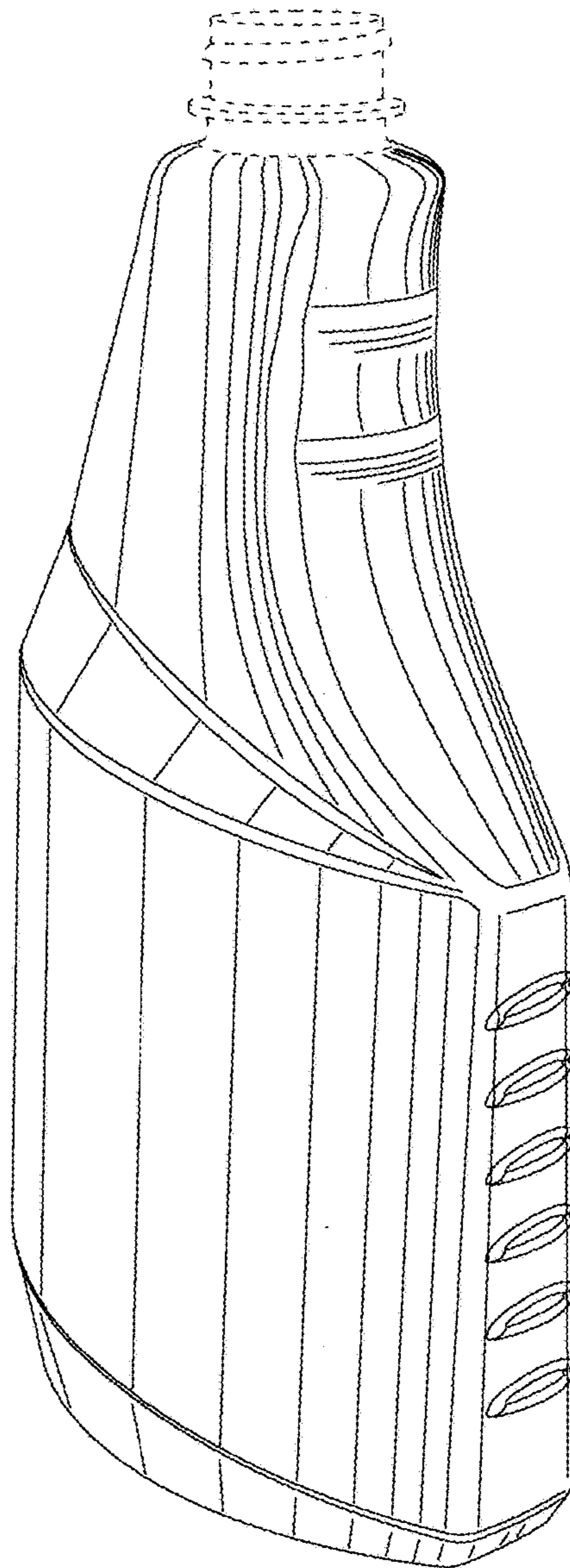


FIG. 1

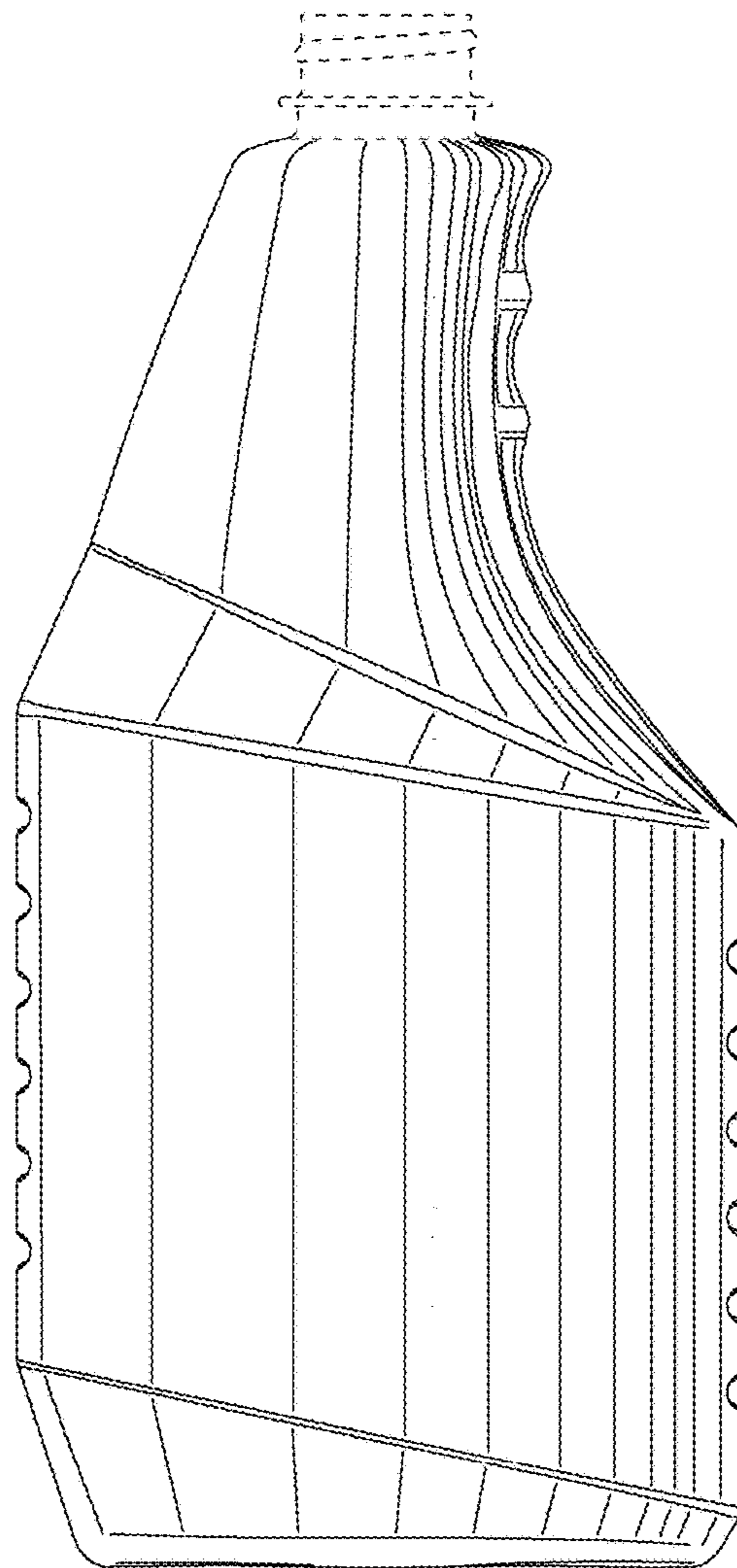


FIG. 2

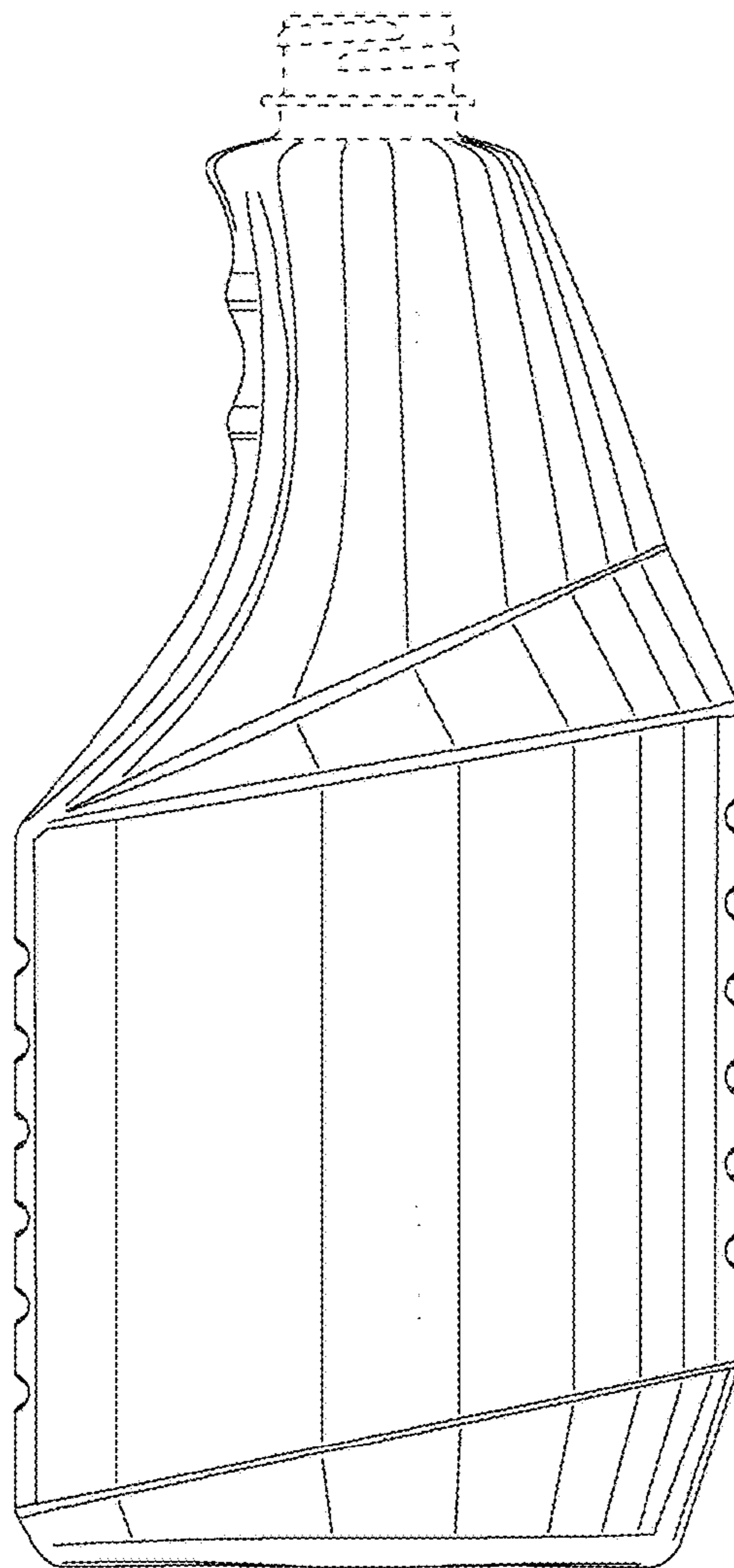


FIG. 3

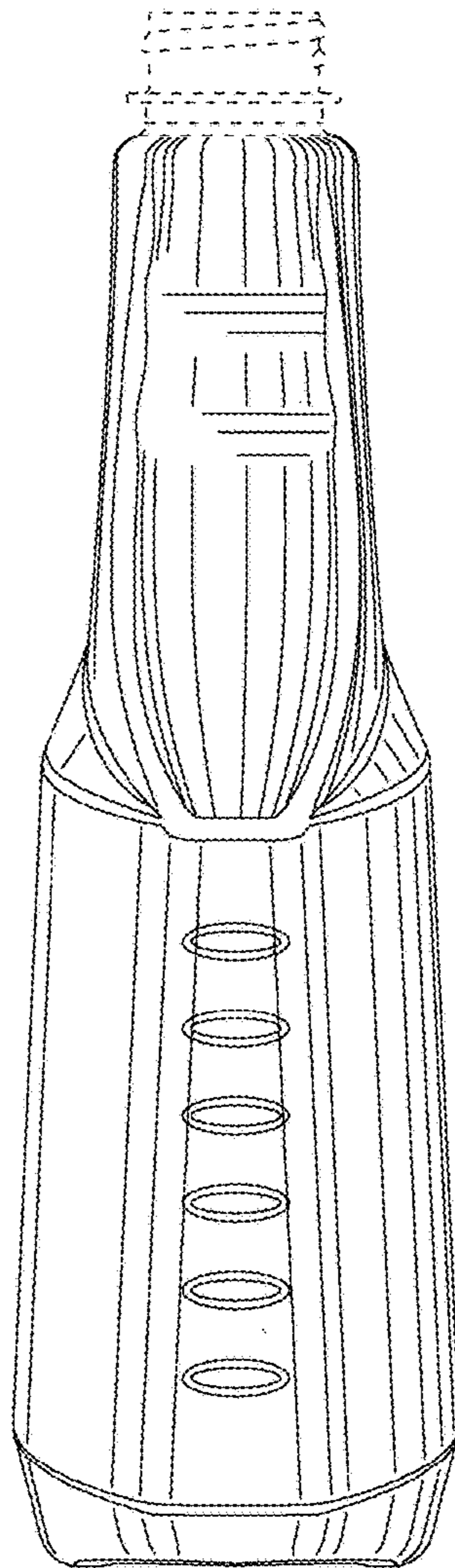


FIG. 4

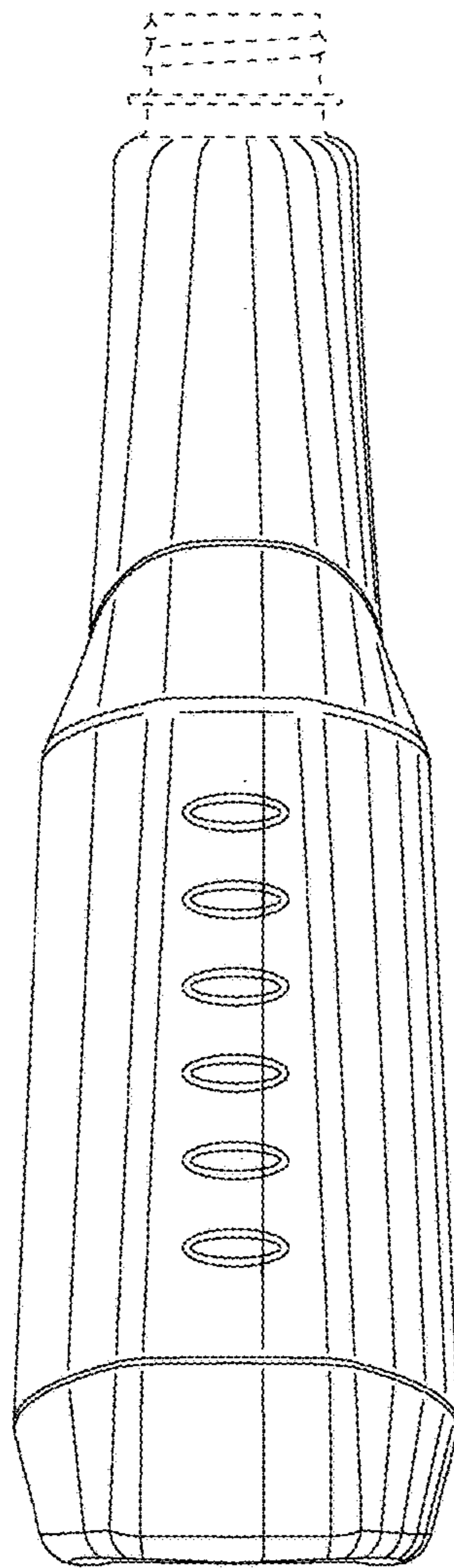


FIG. 5



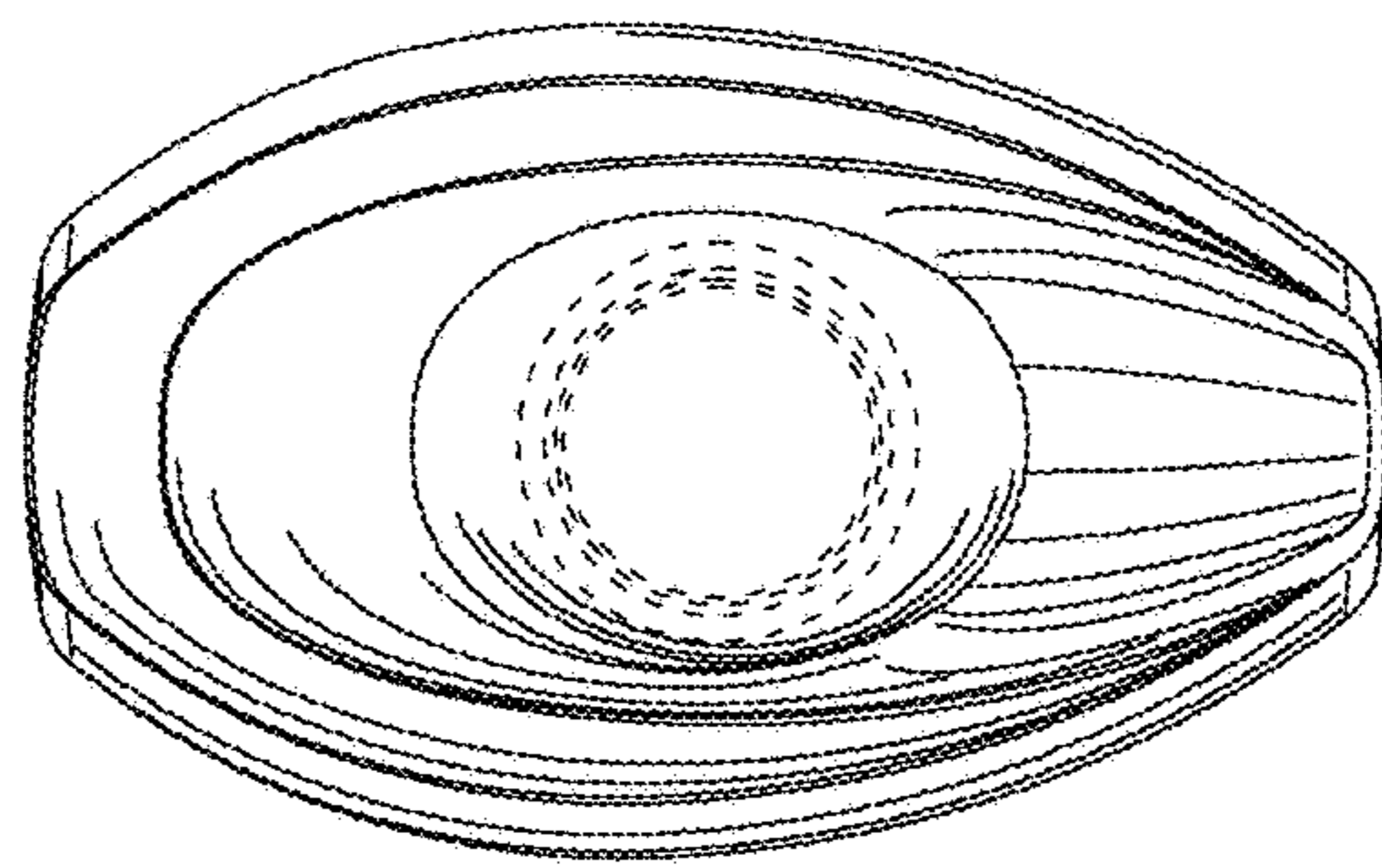


FIG. 6

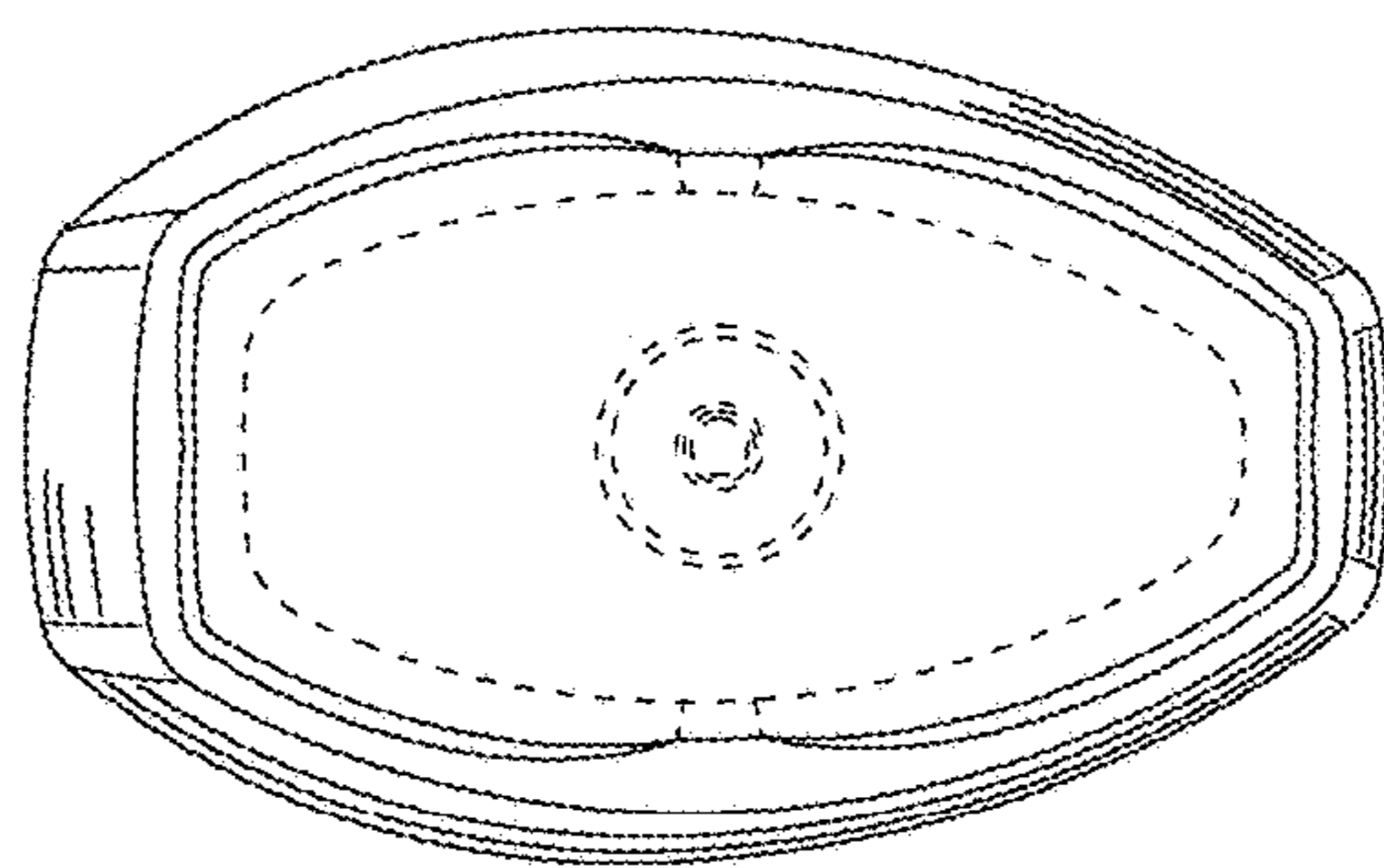


FIG. 7