



US00D867140S

(12) **United States Design Patent** (10) **Patent No.:** **US D867,140 S**  
**Levy et al.** (45) **Date of Patent:** **\*\* Nov. 19, 2019**

(54) **TRAVEL BOTTLE CAP**

(71) Applicant: **Navajo Manufacturing Company, Inc.**, Denver, CO (US)

(72) Inventors: **Gordon Levy**, Golden, CO (US); **Shawn A. Shelton**, Highlands Ranch, CO (US)

(73) Assignee: **Navajo Manufacturing Company, Inc.**, Denver, CO (US)

(\*\*) Term: **15 Years**

(21) Appl. No.: **29/662,574**

(22) Filed: **Sep. 6, 2018**

(51) **LOC (12) Cl.** ..... **09-07**

(52) **U.S. Cl.**  
USPC ..... **D9/449**

(58) **Field of Classification Search**  
USPC ..... D9/414, 416, 425, 434, 435, 436, 438, D9/439, 440, 442, 443, 445, 446-450, D9/452-457, 499, 503-505, 682, 685, D9/686; D7/387, 391, 392, 392.1, 393, D7/394, 396.1-396.4, 401.1, 503-505, D7/509-511, 538, 900; D3/201, 202, D3/203.2, 318; D28/91, 91.1  
CPC .. A61J 1/00; A61J 1/1412; B65D 1/00; B65D 1/02; B65D 1/10; B65D 1/46; B65D 2585/56; B65D 2585/545; B65D 41/00; B65D 41/38; B65D 41/56; B65D 41/62; B65D 47/00; B65D 47/06; B65D 47/08; B65D 2543/00046; B65D 2543/00092; B65D 2543/00296; B65D 5/46; B65D 2251/00

See application file for complete search history.

3,358,890 A 12/1967 Dalfo  
3,460,719 A 8/1969 O'Donnell et al.  
3,484,023 A 12/1969 Meshberg  
3,655,099 A 4/1972 Hazard  
3,702,165 A 11/1972 Carrow et al.  
3,784,060 A 1/1974 Hazard  
3,847,313 A 11/1974 Micallef  
3,848,778 A 11/1974 Meshberg  
3,873,005 A 3/1975 Hazard  
3,874,568 A 4/1975 La Vange et al.  
4,047,643 A 9/1977 Hazard  
4,081,113 A 3/1978 Hazard  
4,299,339 A 11/1981 Giroux et al.  
4,487,342 A 12/1984 Shy  
4,500,016 A 2/1985 Funfstuck  
4,542,837 A 9/1985 Rayner  
4,591,079 A 5/1986 Bigotte

(Continued)

*Primary Examiner* — Michael A. Pratt  
*Assistant Examiner* — Wendy L Arminio  
(74) *Attorney, Agent, or Firm* — Studebaker & Brackett PC

(57) **CLAIM**

The ornamental design for a travel bottle cap, as shown and described.

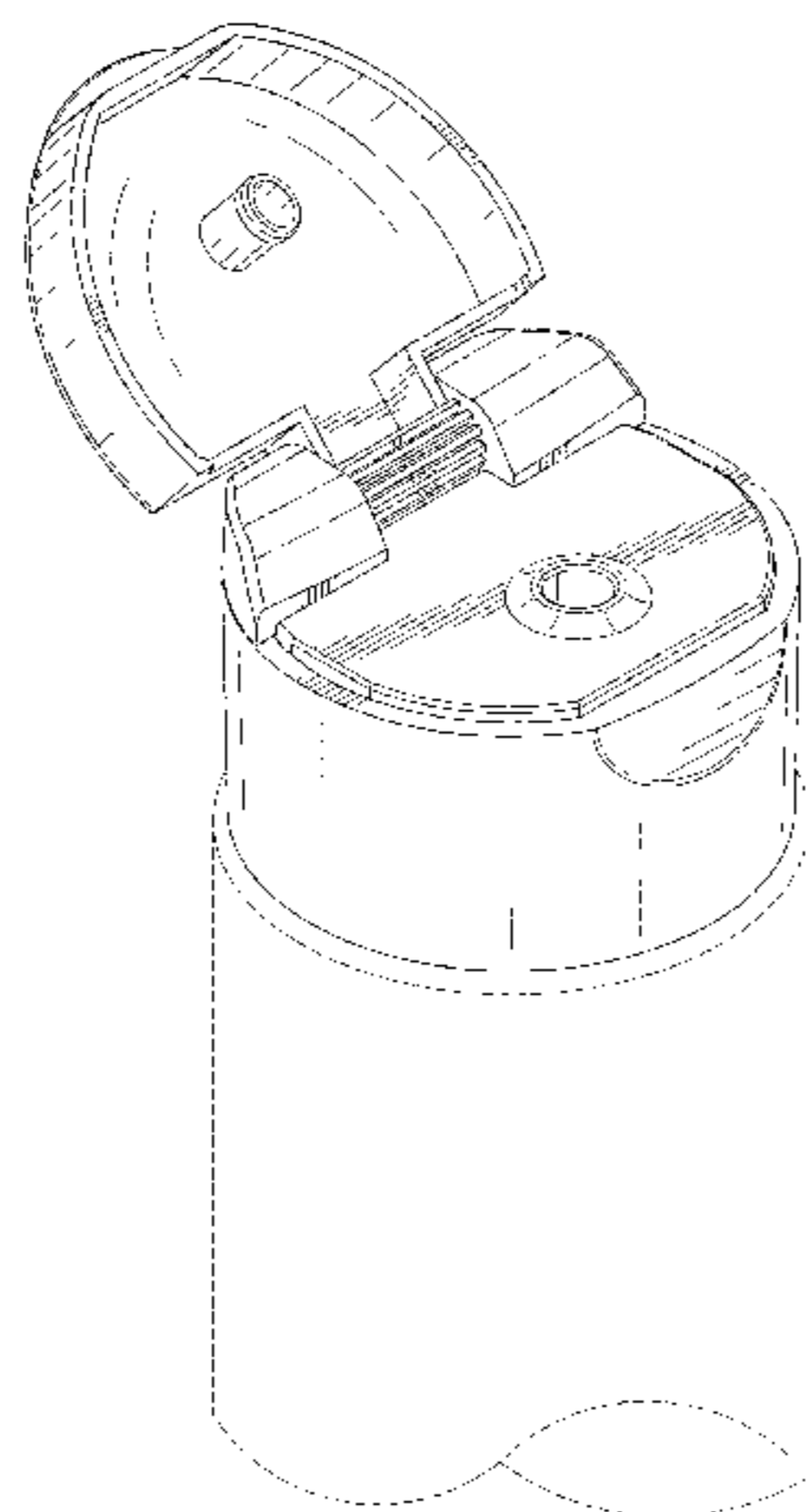
**DESCRIPTION**

FIG. 1 is a front perspective view showing our new design for a travel bottle cap,  
FIG. 2 is a front view thereof,  
FIG. 3 is a rear view thereof,  
FIG. 4 is a top view thereof,  
FIG. 5 is a bottom view thereof,  
FIG. 6 is a left side view thereof,  
FIG. 7 is a right side view thereof; and,  
FIG. 8 is a front perspective view thereof with the lid in a closed position.  
The broken lines depict environment and form no part of the claimed design.

**1 Claim, 7 Drawing Sheets**

(56) **References Cited**  
U.S. PATENT DOCUMENTS

2,582,360 A 1/1952 Sheridan  
3,094,255 A 6/1963 Hunter



(56)

References Cited

U.S. PATENT DOCUMENTS

4,645,086 A 2/1987 Rosenthal  
 4,666,068 A \* 5/1987 Bush ..... B65D 47/0885  
 16/224  
 4,711,372 A \* 12/1987 Gach ..... B65D 47/0885  
 206/807  
 4,776,501 A 10/1988 Ostrowsky  
 4,779,773 A 10/1988 Bennett  
 4,852,770 A 8/1989 Sledge et al.  
 4,887,747 A \* 12/1989 Ostrowsky ..... B65D 47/0861  
 222/556  
 4,962,869 A 10/1990 Gross et al.  
 4,993,606 A \* 2/1991 Bolen, Jr. .... B65D 47/0885  
 215/235  
 D320,746 S \* 10/1991 Bolen, Jr. .... D9/434  
 5,141,129 A 8/1992 Jennings  
 D334,538 S \* 4/1993 Bolen, Jr. .... D9/447  
 5,284,264 A 2/1994 Gross  
 5,314,093 A 5/1994 Gross et al.  
 5,358,130 A \* 10/1994 Mengeu ..... B65D 47/0838  
 215/235  
 5,395,015 A \* 3/1995 Bolen, Jr. .... B65D 47/0885  
 215/235  
 5,577,626 A \* 11/1996 Henkel ..... B65D 47/0804  
 215/237

D378,803 S \* 4/1997 Bolen, Jr. .... D9/449  
 5,622,284 A 4/1997 Sawicki  
 5,649,645 A 7/1997 Demarest et al.  
 D413,064 S \* 8/1999 Bansal ..... D9/449  
 5,967,384 A \* 10/1999 Mengeu ..... B65D 47/089  
 222/517  
 D434,659 S \* 12/2000 Lonczak ..... D9/449  
 D438,799 S \* 3/2001 Anderson ..... D9/449  
 6,283,333 B1 9/2001 Knickerbocker et al.  
 D455,077 S \* 4/2002 Gaiser ..... D9/449  
 6,866,164 B2 \* 3/2005 Branson ..... B65D 47/0814  
 222/153.14  
 6,896,160 B2 5/2005 Kaufman et al.  
 D508,853 S \* 8/2005 Ziegenhorn ..... D9/449  
 6,971,547 B2 12/2005 Englert et al.  
 D524,650 S \* 7/2006 Sitomer ..... D9/449  
 D576,036 S \* 9/2008 Dell'Accio ..... D9/449  
 D649,055 S \* 11/2011 Fracasso ..... D9/503  
 D680,434 S \* 4/2013 Fracasso ..... D9/447  
 D713,723 S \* 9/2014 den Boer ..... D9/449  
 D722,267 S \* 2/2015 Miranda De Araujo ..... D9/449  
 9,382,059 B2 7/2016 Selinger et al.  
 D782,310 S \* 3/2017 Li ..... D9/434  
 D838,592 S \* 1/2019 Henderson ..... D9/449  
 2003/0038146 A1 2/2003 Meshberg  
 2004/0112927 A1 6/2004 Kaufman et al.  
 2016/0318646 A1 \* 11/2016 Jung ..... B65D 1/323

\* cited by examiner

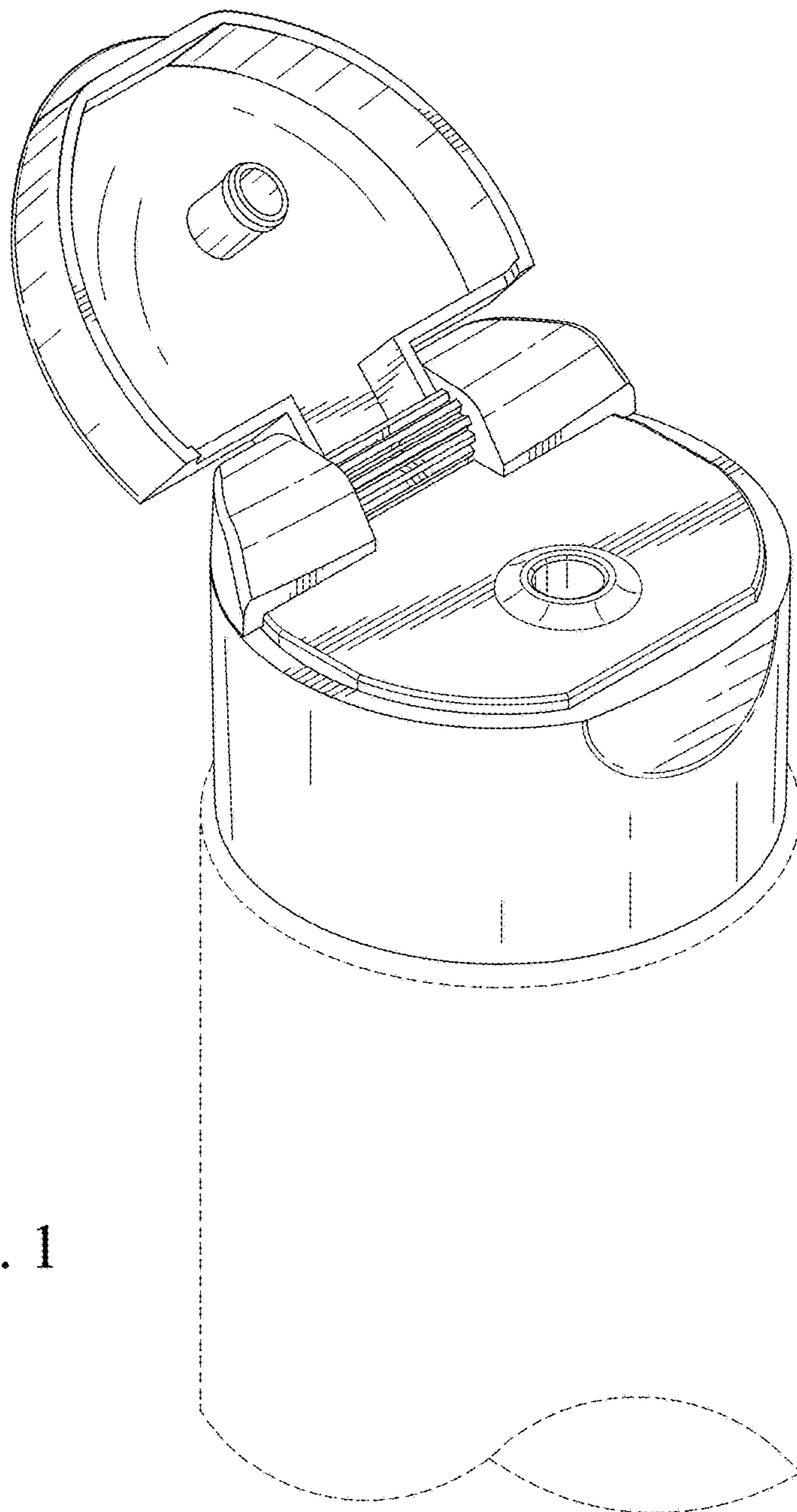


FIG. 1

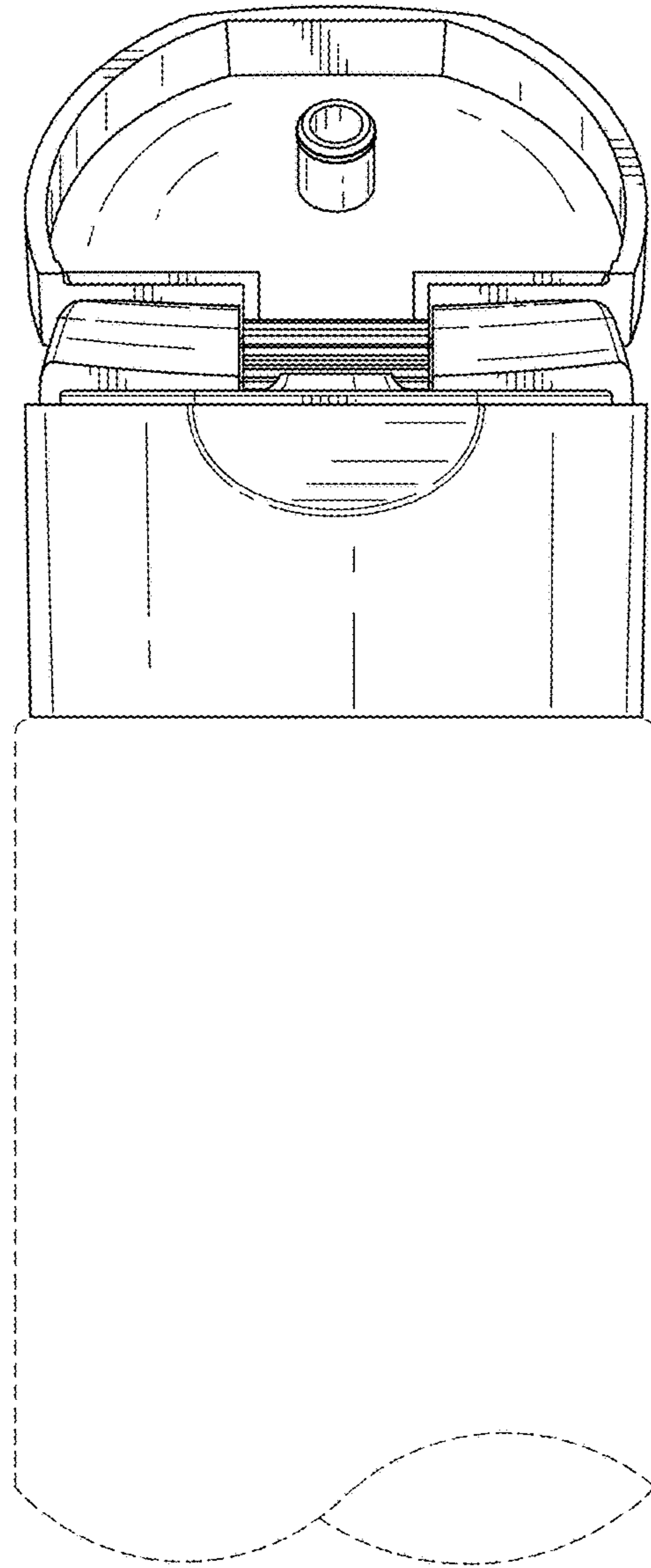


FIG. 2

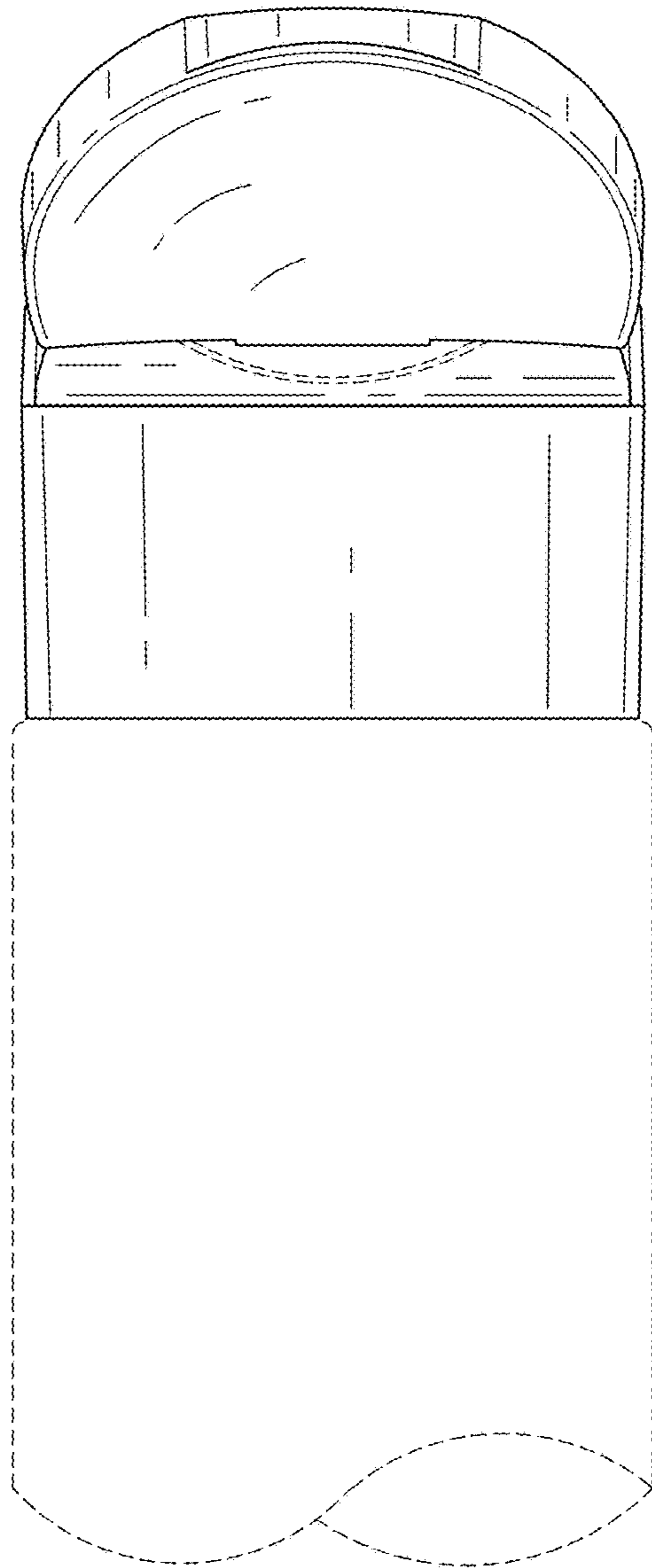


FIG. 3

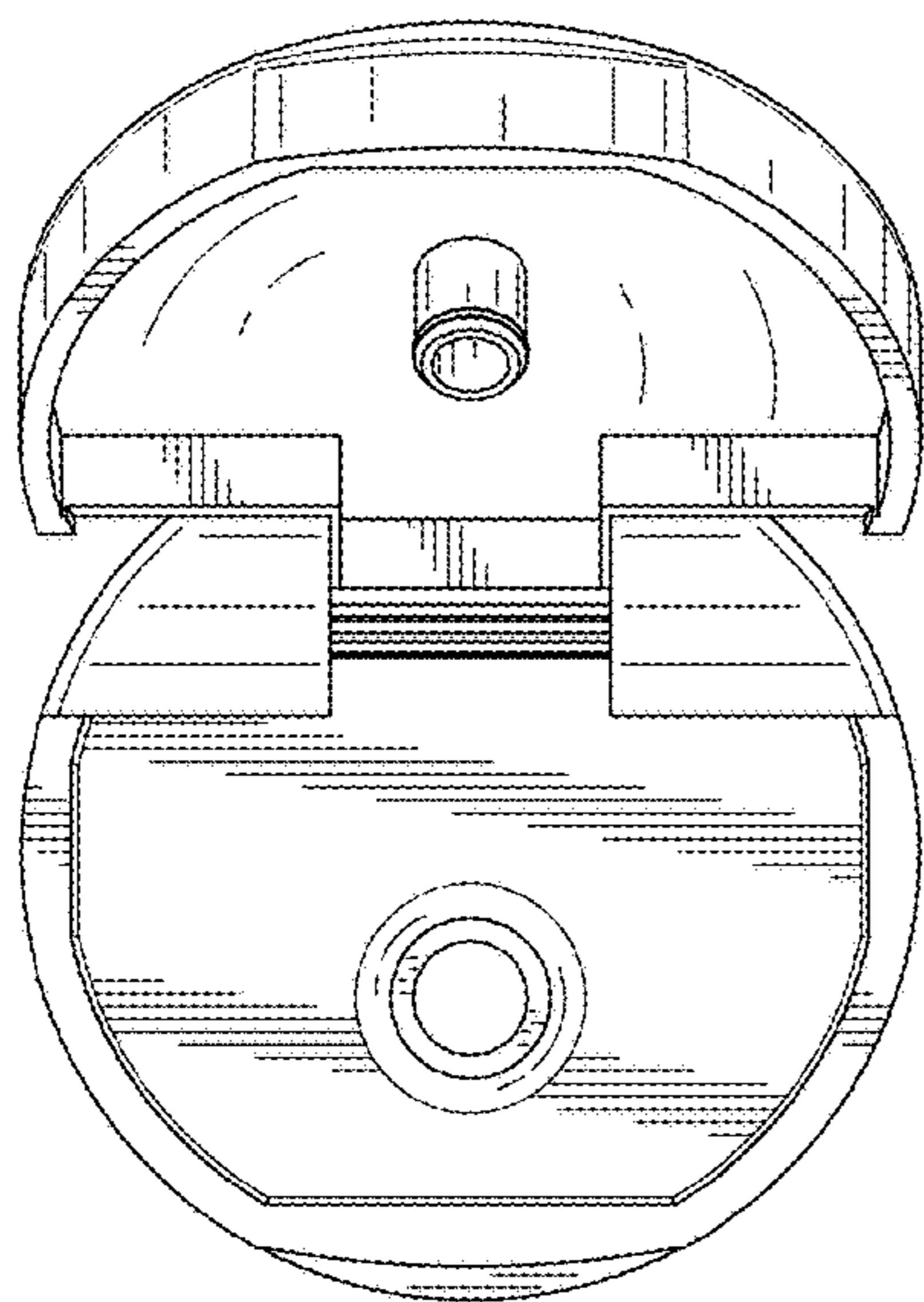


FIG. 4

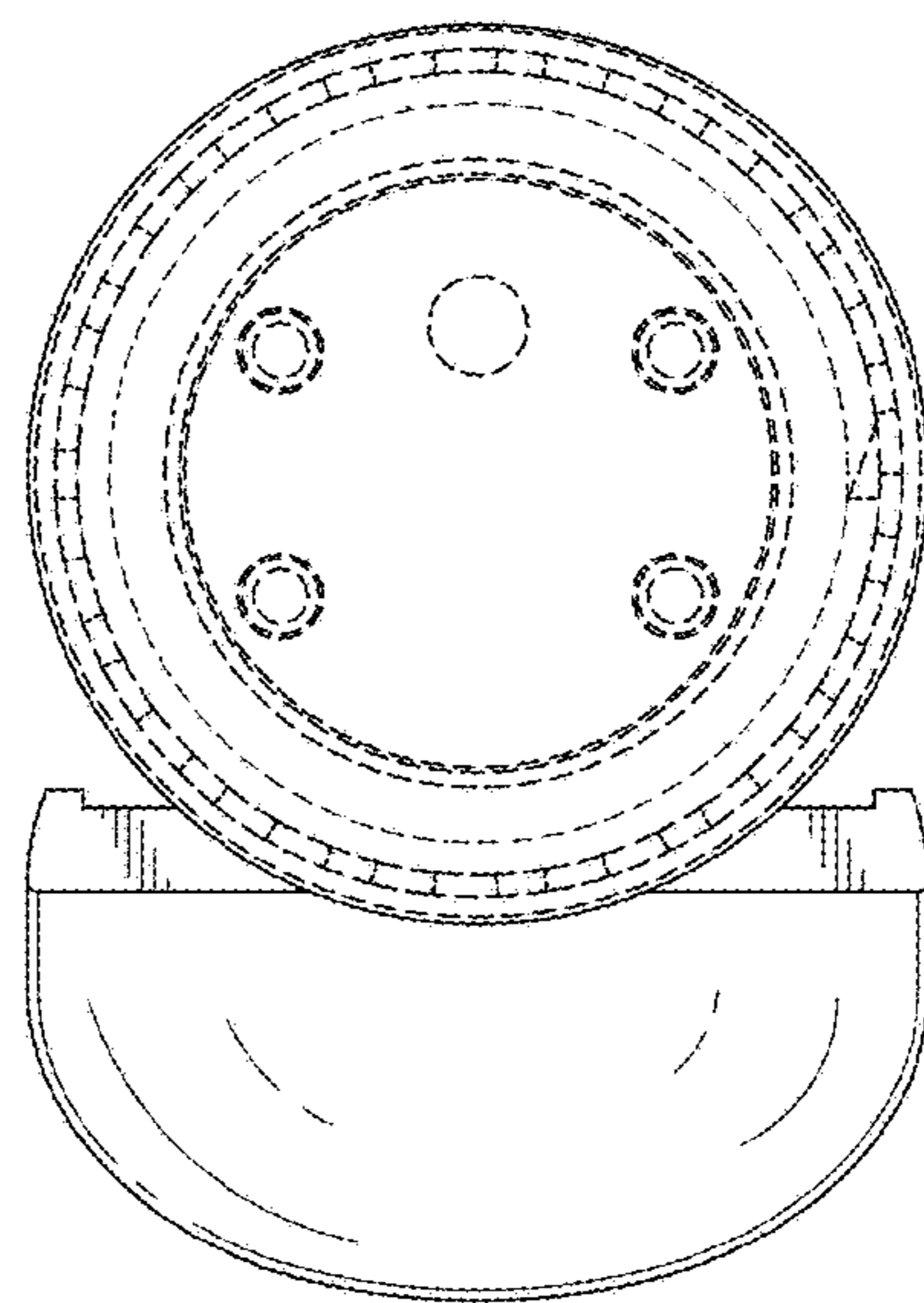


FIG. 5

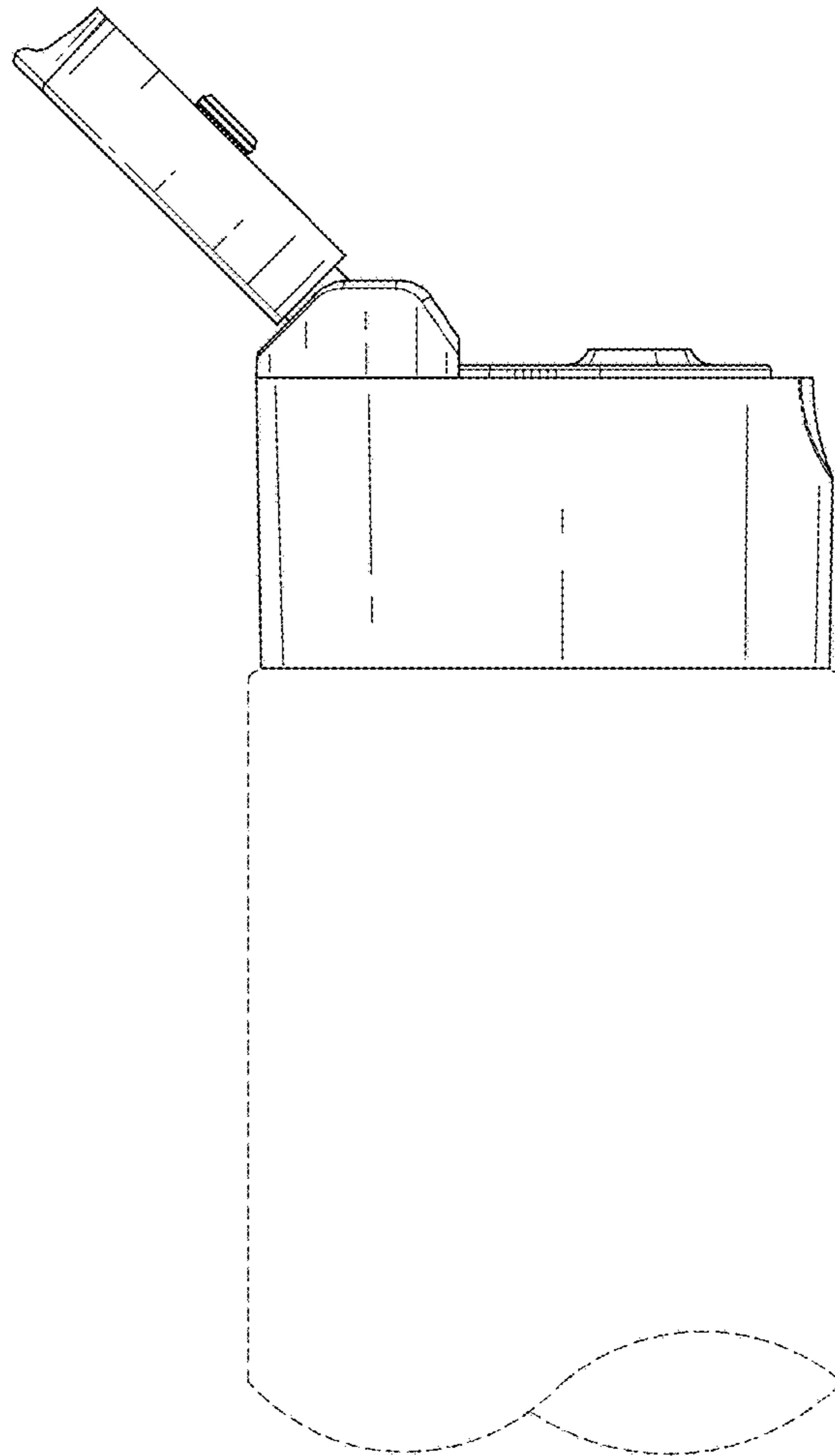


FIG. 6

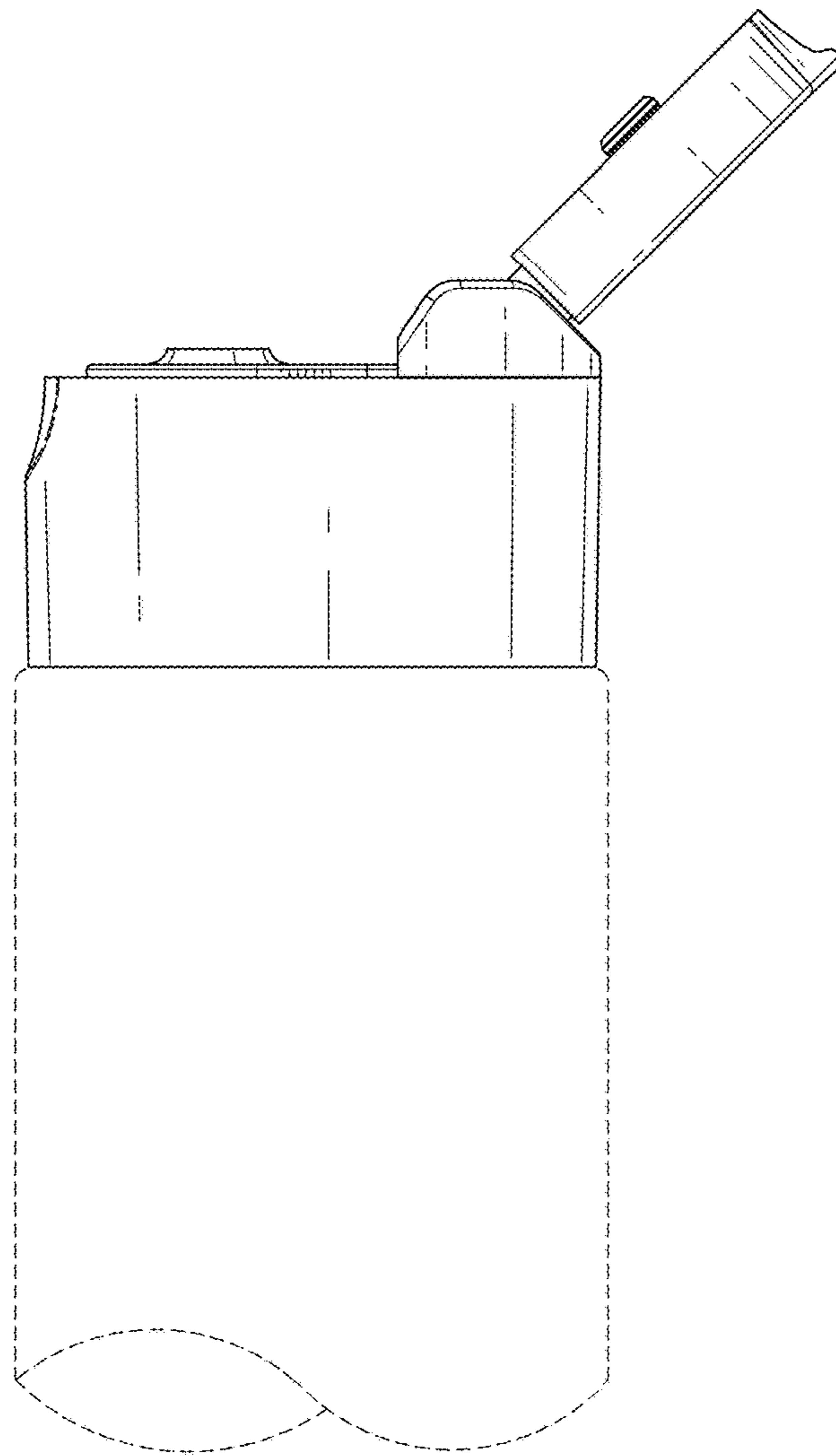


FIG. 7



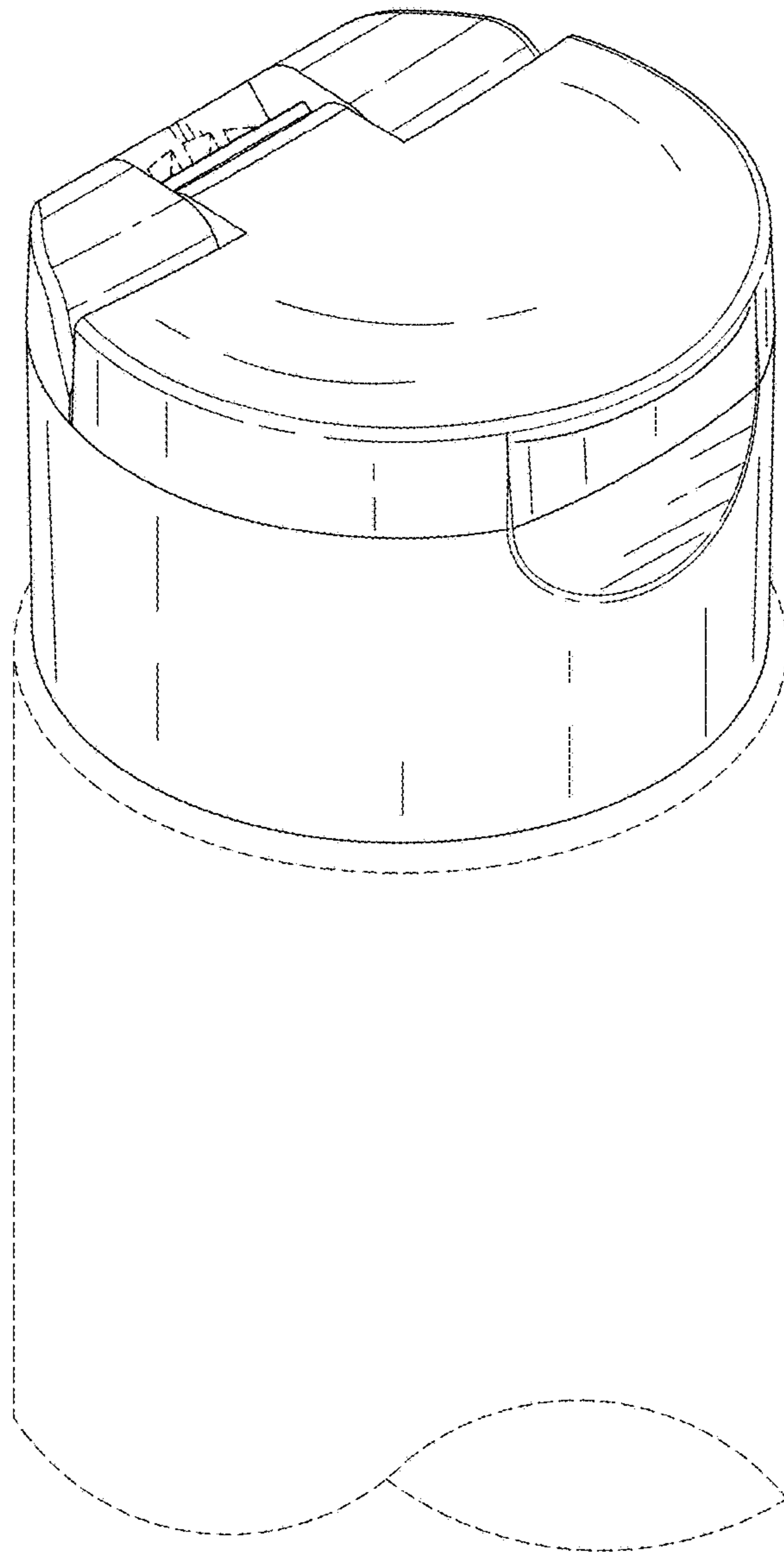


FIG. 8