

US00D867138S

(12) **United States Design Patent** (10) **Patent No.:** **US D867,138 S**  
**Levy et al.** (45) **Date of Patent:** **\*\* Nov. 19, 2019**

(54) **TRAVEL BOTTLE CAP WITH SLIDE LOCK**

(71) Applicant: **Navajo Manufacturing Company, Inc.**, Denver, CO (US)

(72) Inventors: **Gordon Levy**, Golden, CO (US); **Shawn A. Shelton**, Highlands Ranch, CO (US)

(73) Assignee: **Navajo Manufacturing Company, Inc.**, Denver, CO (US)

(\*\*) Term: **15 Years**

(21) Appl. No.: **29/662,566**

(22) Filed: **Sep. 6, 2018**

(51) **LOC (12) Cl.** ..... **09-07**

(52) **U.S. Cl.**  
USPC ..... **D9/449**

(58) **Field of Classification Search**

USPC ..... D9/414, 416, 425, 434, 435, 436, 438, D9/439, 440, 442, 443, 445, 446-450, D9/452-457, 499, 503-505, 682, 685, D9/686; D7/387, 391, 392, 392.1, 393, D7/394, 396.1-396.4, 401.1, 503-505, D7/509-511, 538, 900; D3/201, 202, D3/203.2, 318; D28/91, 91.1  
 CPC .. A61J 1/00; A61J 1/1412; B65D 1/00; B65D 1/02; B65D 1/10; B65D 1/46; B65D 2585/56; B65D 2585/545; B65D 41/00; B65D 41/38; B65D 41/56; B65D 41/62; B65D 47/00; B65D 47/06; B65D 47/08; B65D 2543/00046; B65D 2543/00092; B65D 2543/00296; B65D 5/46; B65D 2251/00

See application file for complete search history.

(56) **References Cited**

**U.S. PATENT DOCUMENTS**

2,582,360 A 1/1952 Sheridan  
 3,094,255 A 6/1963 Hunter

3,358,890 A 12/1967 Dalfo  
 3,460,719 A 8/1969 O'Donnell et al.  
 3,484,023 A 12/1969 Meshberg  
 3,655,099 A 4/1972 Hazard  
 3,702,165 A 11/1972 Carrow et al.  
 3,784,060 A 1/1974 Hazard  
 3,847,313 A 11/1974 Micallef  
 3,848,778 A 11/1974 Meshberg

(Continued)

*Primary Examiner* — Michael A. Pratt

*Assistant Examiner* — Wendy L Arminio

(74) *Attorney, Agent, or Firm* — Studebaker & Brackett PC

(57) **CLAIM**

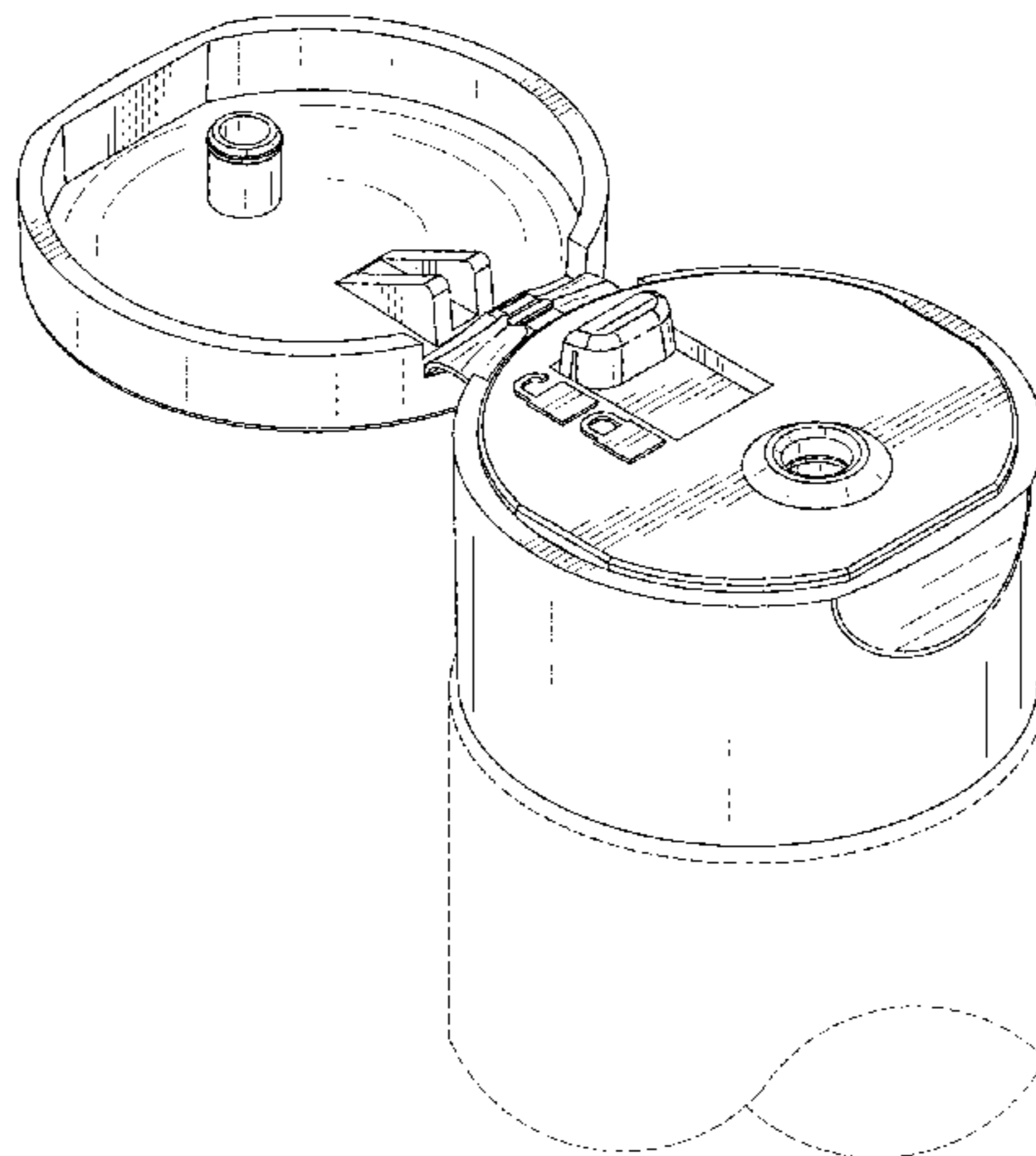
The ornamental design for a travel bottle cap with slide lock, as shown and described.

**DESCRIPTION**

FIG. 1 is a front perspective view showing our new design for a travel bottle cap with slide lock with the lid portion and slide lock feature both shown in an open position, FIG. 2 is a front view thereof, FIG. 3 is a rear view thereof, FIG. 4 is a top view thereof, FIG. 5 is a bottom view thereof, FIG. 6 is a left side view thereof, FIG. 7 is a right side view thereof, FIG. 8 is a front perspective view of the travel bottle cap with slide lock of FIG. 1 shown with the lid portion in an open position and the slide lock feature in a closed position; and, FIG. 9 is a front perspective view of the travel bottle cap with slide lock of FIG. 1 shown with the lid portion in a closed position.

The broken lines showing a bottle depict environment and form no part of the claimed design. All other broken lines depict portions of the travel bottle cap with slide lock that form no part of the claimed design.

**1 Claim, 8 Drawing Sheets**



(56)

References Cited

U.S. PATENT DOCUMENTS

3,873,005 A 3/1975 Hazard  
 3,874,568 A 4/1975 La Vange et al.  
 4,047,643 A 9/1977 Hazard  
 4,081,113 A 3/1978 Hazard  
 4,299,339 A 11/1981 Giroux et al.  
 4,487,342 A 12/1984 Shy  
 4,500,016 A 2/1985 Funfstuck  
 4,542,837 A 9/1985 Rayner  
 4,591,079 A 5/1986 Bigotte  
 4,645,086 A 2/1987 Rosenthal  
 4,711,372 A \* 12/1987 Gach ..... B65D 47/0885  
 206/807  
 4,776,501 A 10/1988 Ostrowsky  
 4,779,773 A 10/1988 Bennett  
 4,852,770 A 8/1989 Sledge et al.  
 4,962,869 A 10/1990 Gross et al.  
 5,141,129 A 8/1992 Jennings  
 5,284,264 A 2/1994 Gross  
 5,314,093 A 5/1994 Gross et al.  
 5,358,130 A \* 10/1994 Mengeu ..... B65D 47/0838  
 215/235  
 5,577,626 A \* 11/1996 Henkel ..... B65D 47/0804  
 215/237  
 5,622,284 A 4/1997 Sawicki  
 5,649,645 A 7/1997 Demarest et al.  
 5,967,384 A \* 10/1999 Mengeu ..... B65D 47/089  
 222/517

D434,659 S \* 12/2000 Lonczak ..... D9/449  
 D438,799 S \* 3/2001 Anderson ..... D9/449  
 6,283,333 B1 9/2001 Knickerbocker et al.  
 D455,077 S \* 4/2002 Gaiser ..... D9/449  
 6,866,164 B2 \* 3/2005 Branson ..... B65D 47/0814  
 222/153.14  
 6,896,160 B2 5/2005 Kaufman et al.  
 D508,853 S \* 8/2005 Ziegenhorn ..... D9/449  
 6,971,547 B2 12/2005 Englert et al.  
 D524,650 S \* 7/2006 Sitomer ..... D9/449  
 D537,721 S \* 3/2007 Kertels ..... D9/449  
 D576,036 S \* 9/2008 Dell'Accio ..... D9/449  
 D627,638 S \* 11/2010 Bodet ..... D9/448  
 D649,055 S \* 11/2011 Fracasso ..... D9/503  
 D680,434 S \* 4/2013 Fracasso ..... D9/447  
 D688,554 S \* 8/2013 Fracasso ..... D9/447  
 D713,723 S \* 9/2014 den Boer ..... D9/449  
 D722,267 S \* 2/2015 Miranda De Araujo ..... D9/449  
 9,120,605 B1 \* 9/2015 Mar ..... B65D 43/162  
 D750,492 S \* 3/2016 Campbell ..... D9/448  
 9,382,059 B2 7/2016 Selinger et al.  
 9,498,311 B2 \* 11/2016 Kelchlin ..... A61C 15/043  
 D782,310 S \* 3/2017 Li ..... D9/434  
 D838,592 S \* 1/2019 Henderson ..... D9/449  
 10,167,120 B1 \* 1/2019 Levy ..... B65D 50/06  
 2003/0038146 A1 2/2003 Meshberg  
 2004/0112927 A1 6/2004 Kaufman et al.  
 2015/0090736 A1 \* 4/2015 Erickson ..... B65D 83/205  
 222/153.1  
 2016/0318646 A1 \* 11/2016 Jung ..... B65D 1/323

\* cited by examiner

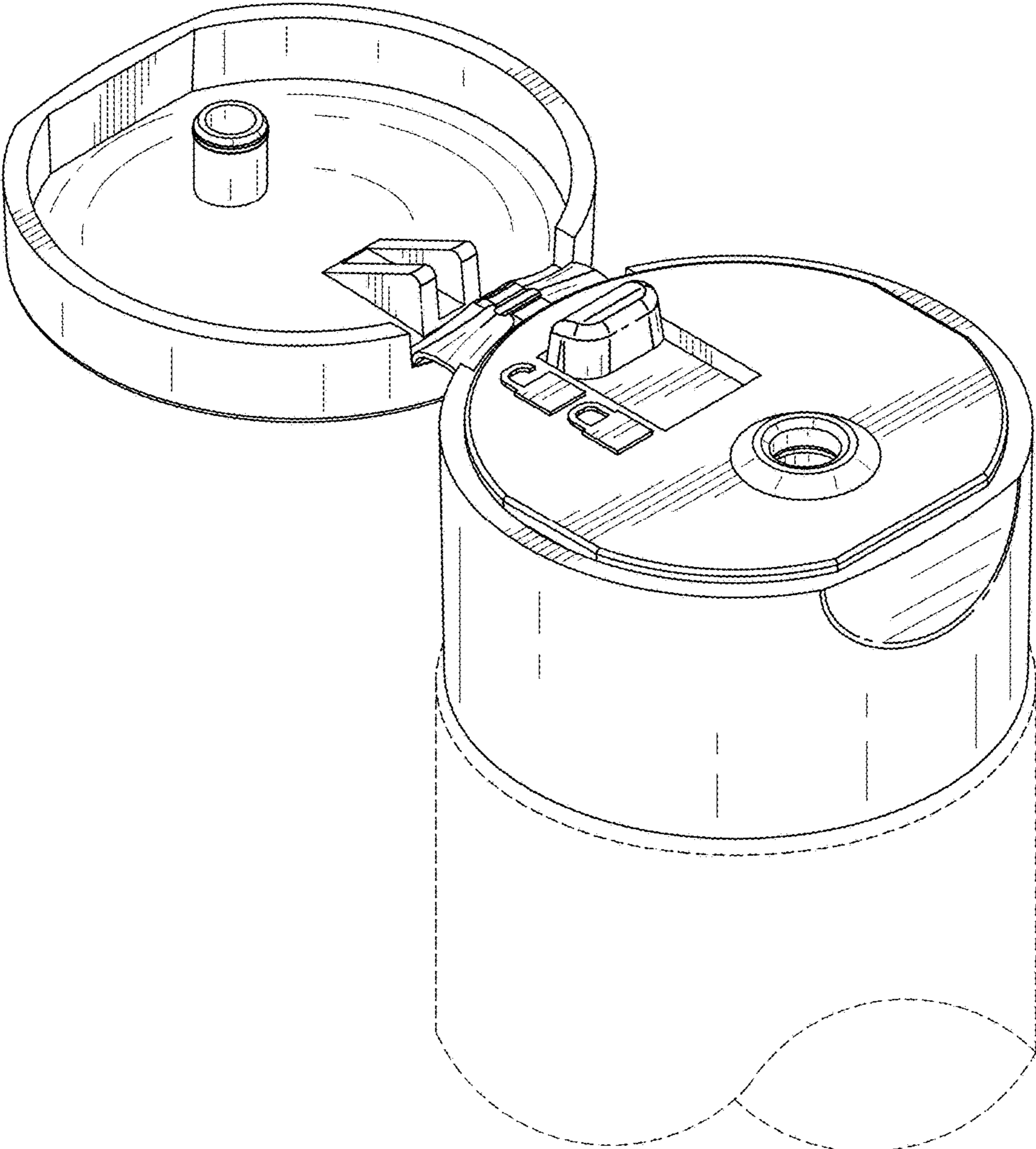


FIG. 1

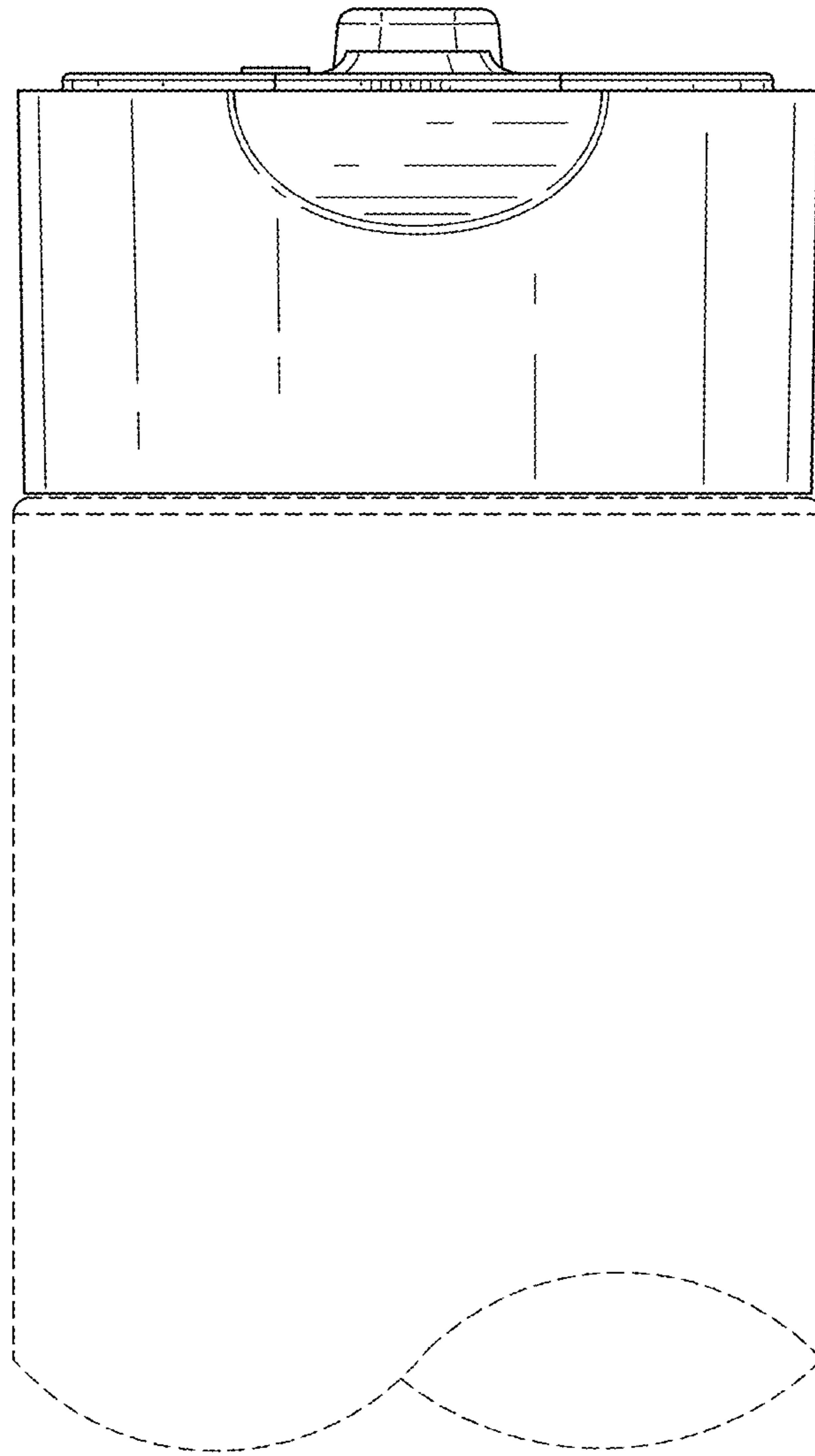


FIG. 2

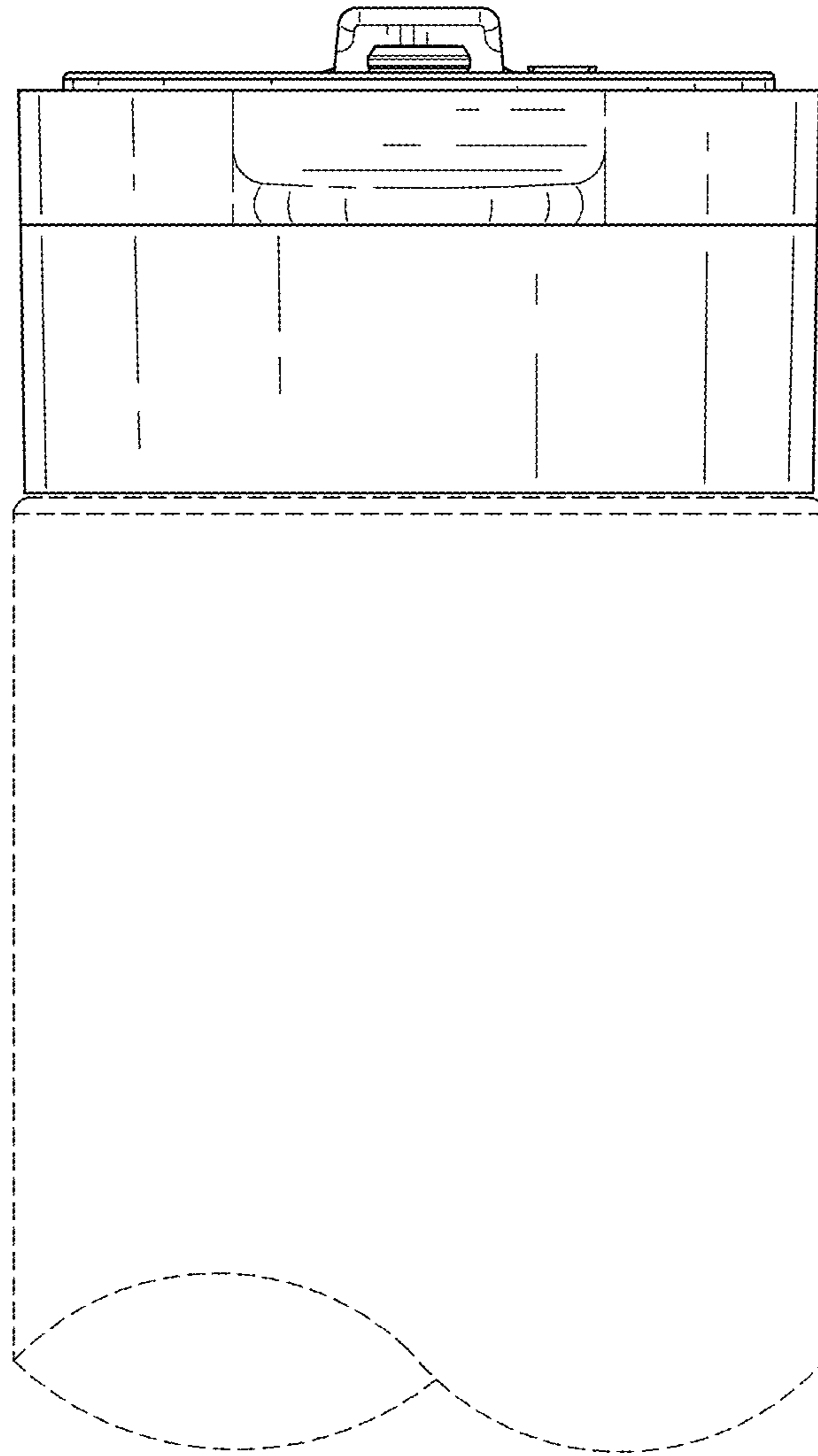


FIG. 3



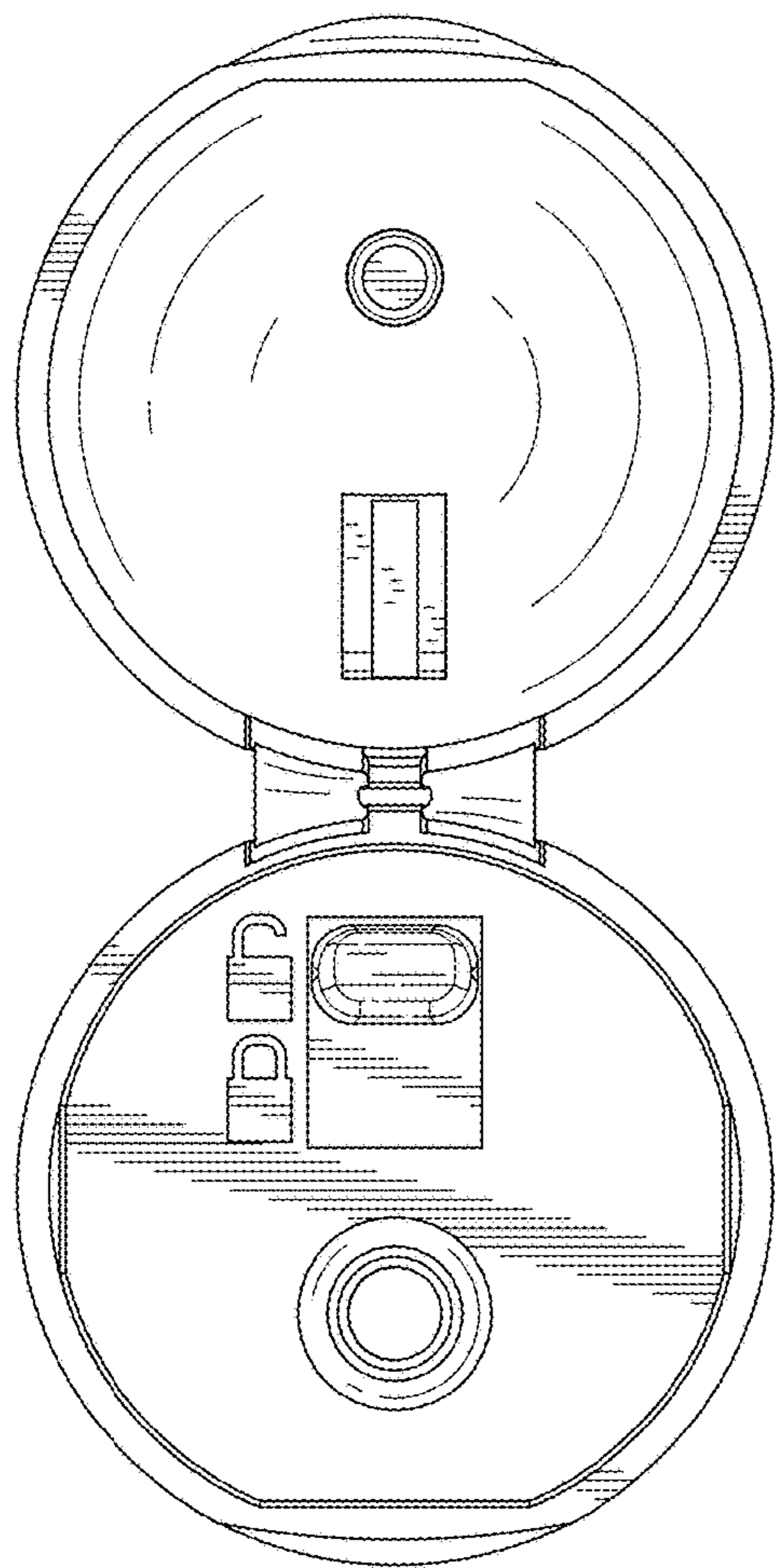


FIG. 4

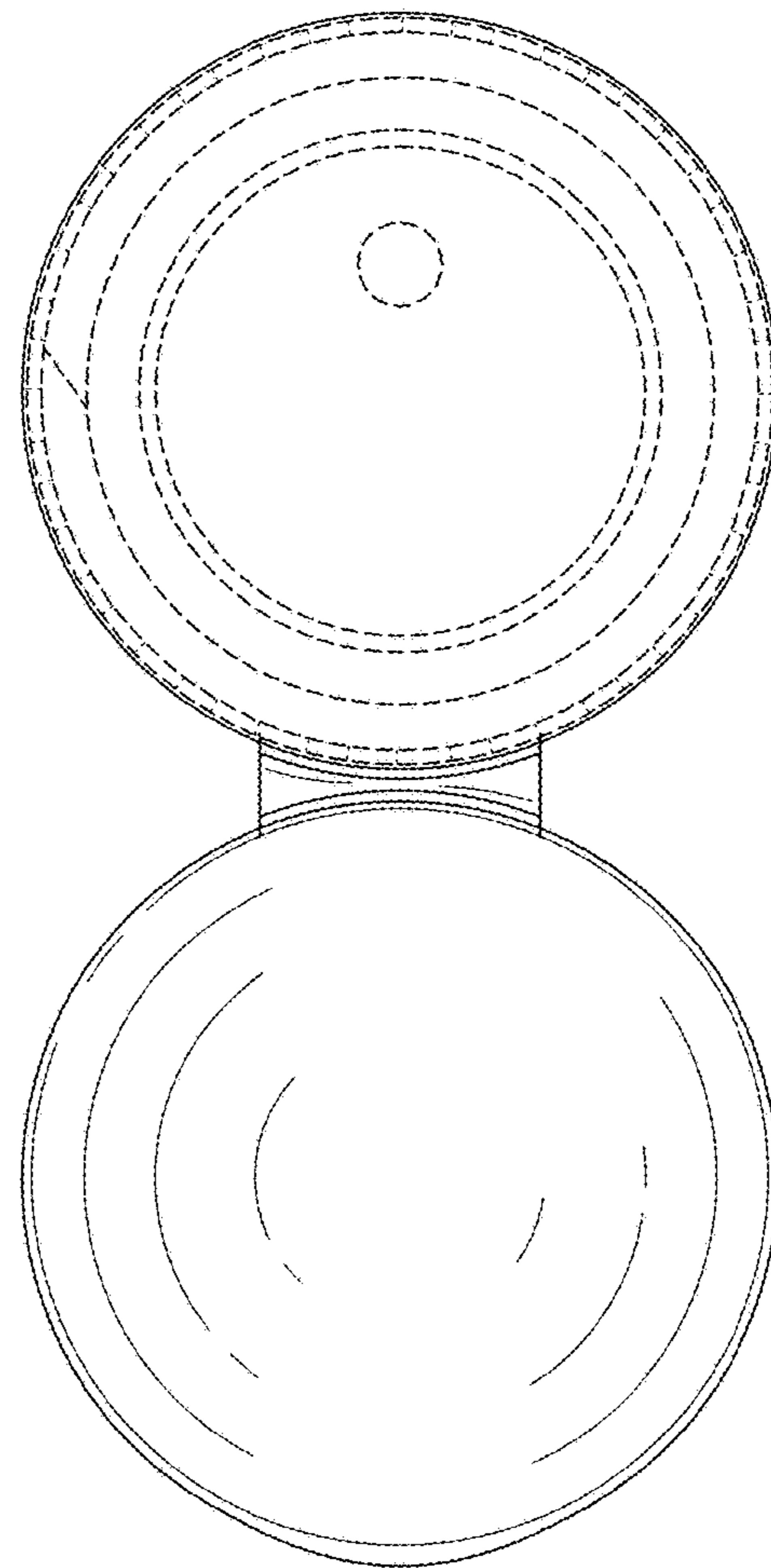


FIG. 5

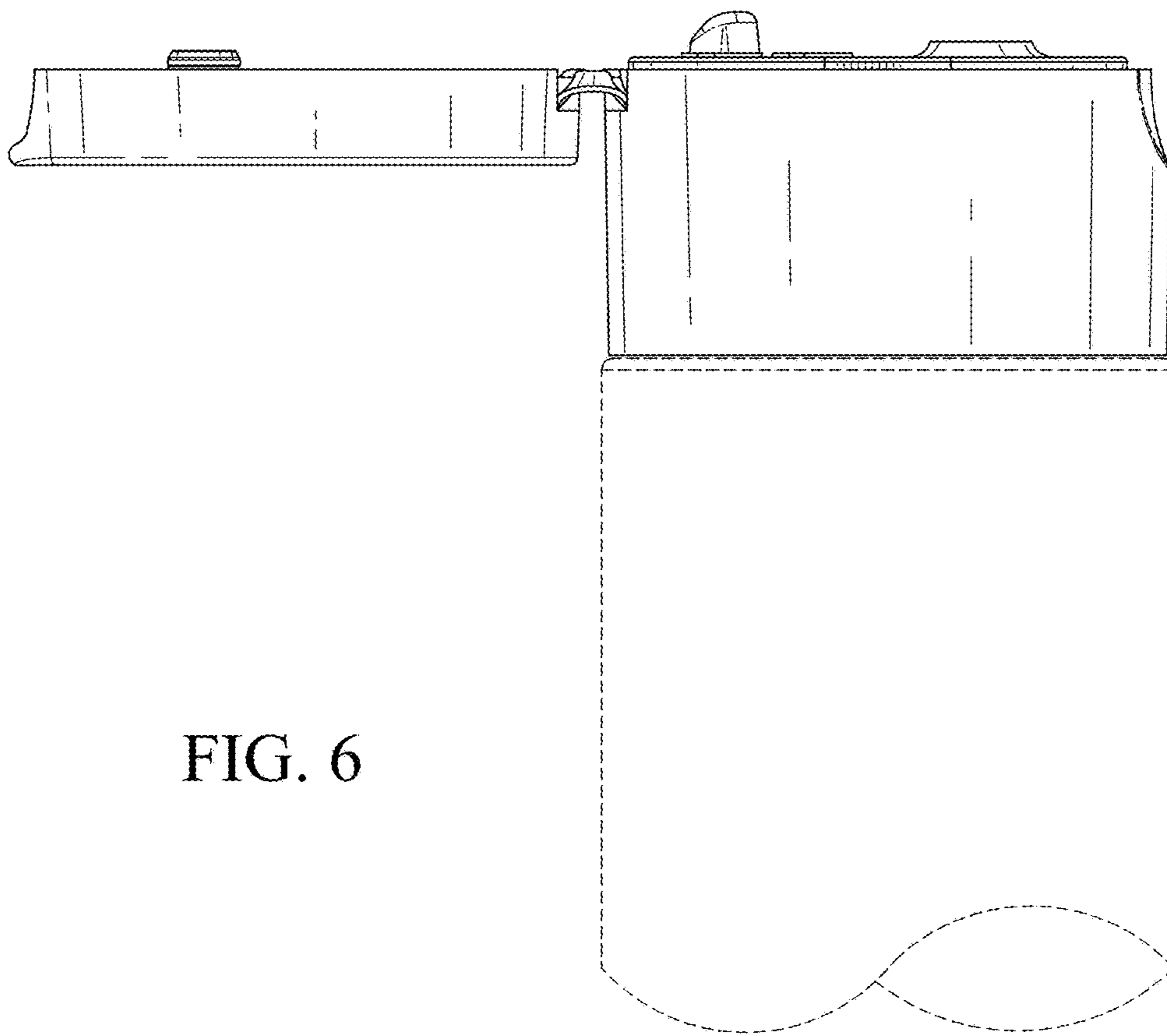


FIG. 6

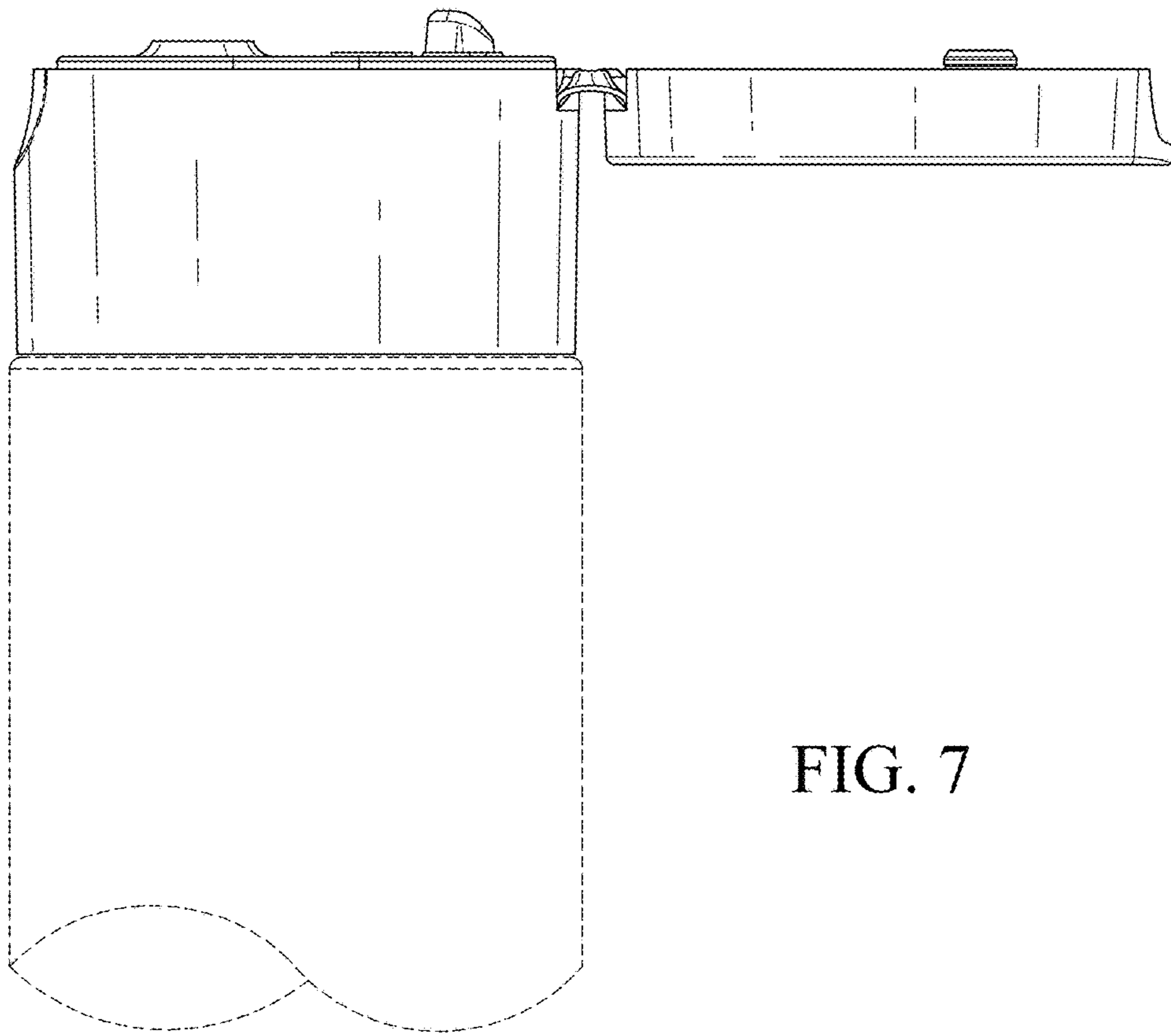


FIG. 7



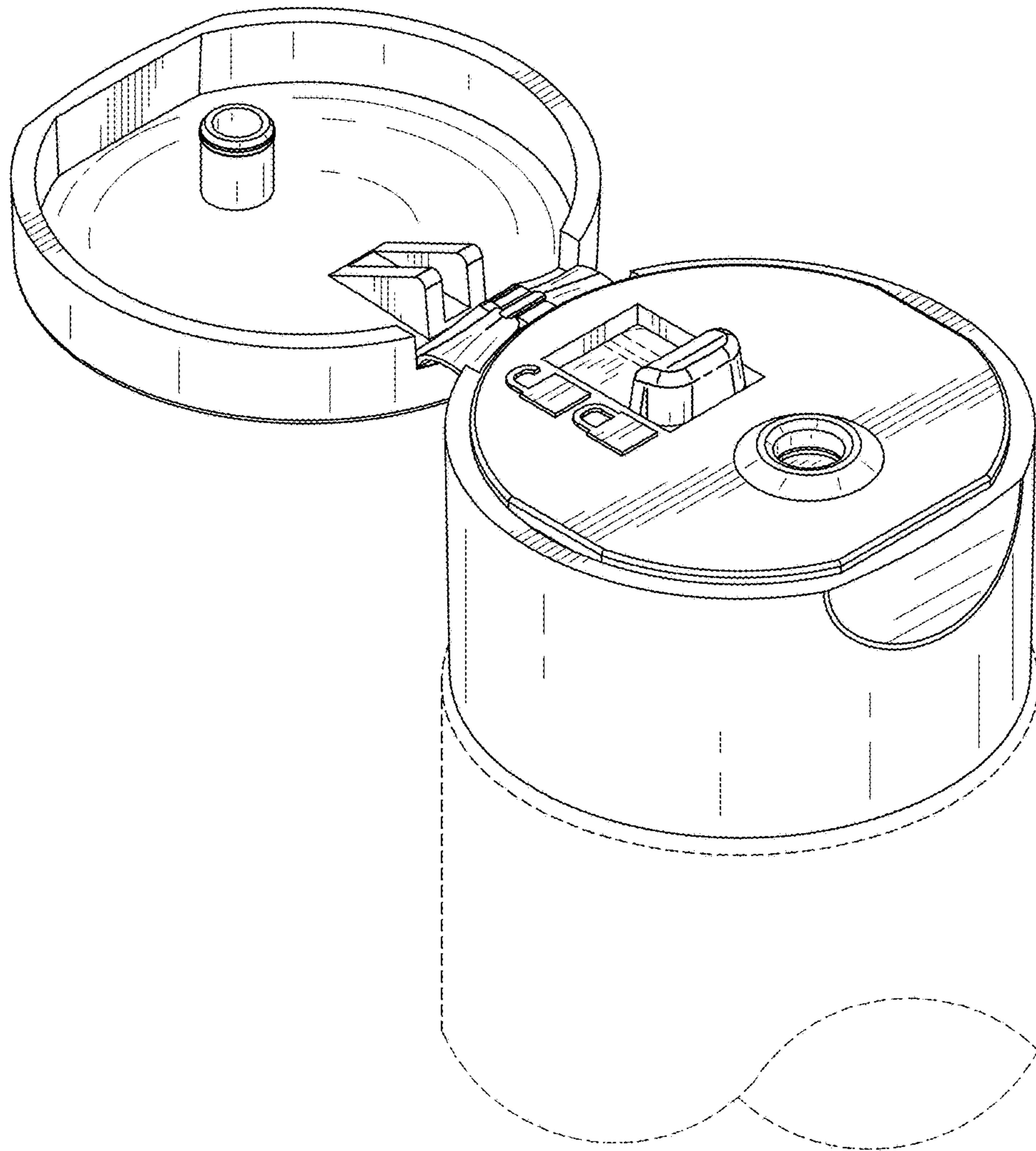


FIG. 8

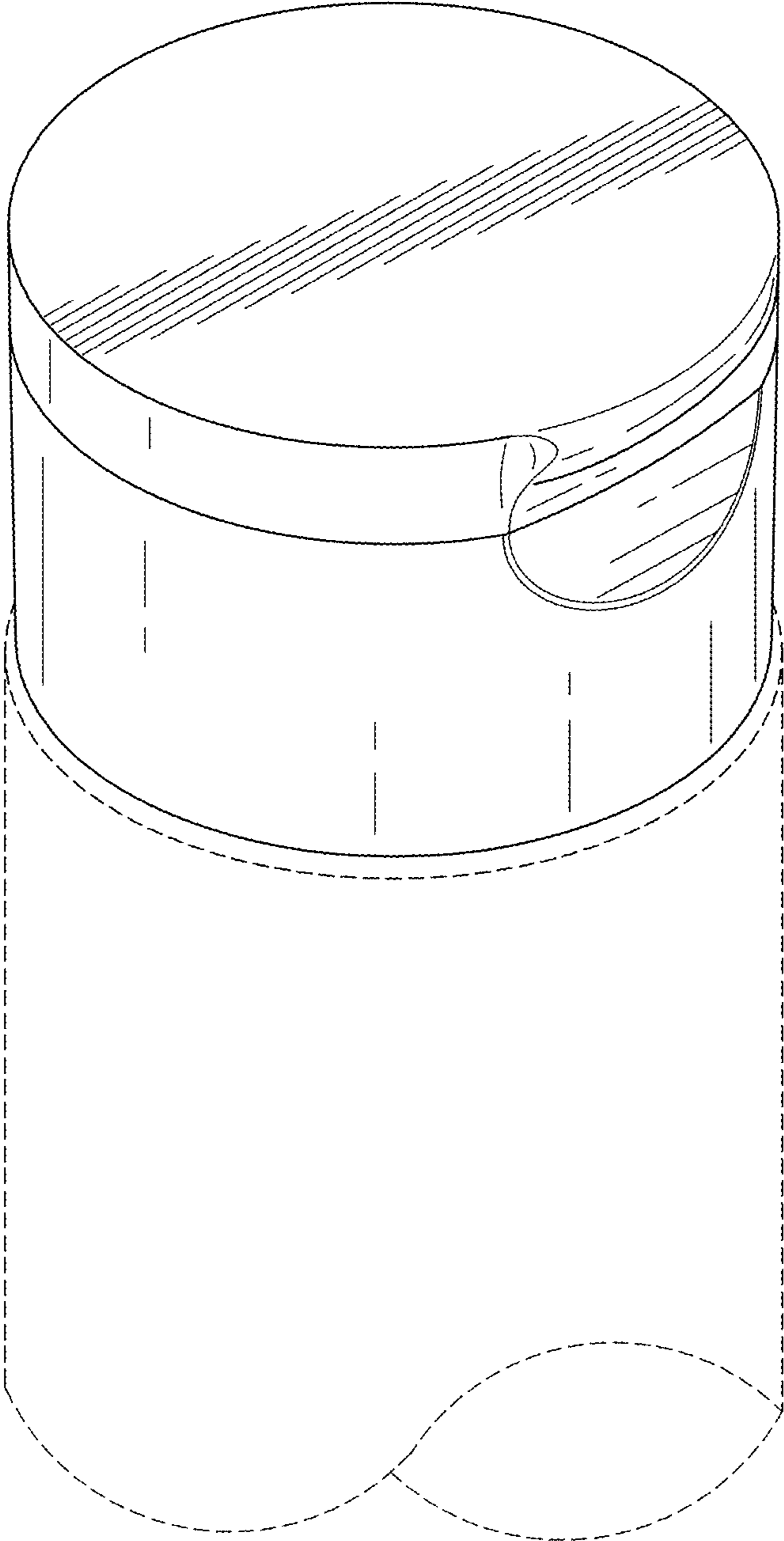


FIG. 9