



US00D867137S

(12) **United States Design Patent**  
**Johnson et al.**

(10) **Patent No.:** **US D867,137 S**

(45) **Date of Patent:** **\*\* Nov. 19, 2019**

- (54) **PULL CAP**
- (71) Applicant: **Liqui-Box Corporation**, Richmond, VA (US)
- (72) Inventors: **James Johnson**, Delaware, OH (US);  
**David Romans**, Fredericktown, OH (US)
- (73) Assignee: **LIQUI-BOX CORPORATION**,  
Richmond, VA (US)
- (\*\*) Term: **15 Years**
- (21) Appl. No.: **29/595,444**
- (22) Filed: **Feb. 28, 2017**
- (51) **LOC (12) Cl.** ..... **09-07**
- (52) **U.S. Cl.**  
USPC ..... **D9/449; D9/447**
- (58) **Field of Classification Search**  
USPC ..... D7/300, 300.1, 303, 316, 323, 387, 392,  
D7/392.1, 396.2, 397, 398, 509–511, 566;  
D9/428, 430, 431, 434–436, 438–440,  
D9/443–447, 448–450, 452–454, 499,  
D9/549, 574, 715, 717–719, 738, 740,  
D9/742, 746, 763, 778–780; D23/260,  
D23/269, 390; D3/202, 203.1, 203.2,  
D3/318; D24/224; D28/76, 82, 88  
CPC ..... B65D 2585/545; B65D 47/06; B65D  
51/1688  
See application file for complete search history.

- 2,852,054 A \* 9/1958 Motley ..... B65D 43/162  
16/225
- D234,026 S \* 12/1974 Winter ..... D24/224
- D241,018 S \* 8/1976 Amicls ..... D9/439
- D265,798 S \* 8/1982 Ossola ..... D9/429
- D554,992 S \* 11/2007 Mangin ..... D9/434
- D632,563 S \* 2/2011 Sitabkhan ..... D9/435
- D646,177 S \* 10/2011 Jeffs ..... D9/549
- D651,508 S \* 1/2012 Layfield ..... D9/416

**OTHER PUBLICATIONS**

Liqui-Box. Fitments. 2018 [earliest online date], [site visited Apr. 11, 2018]. Available from Internet, <URL:https://www.liquibox.com/products/fitments/>. (Year: 2018).\*

\* cited by examiner

*Primary Examiner* — George D. Kirschbaum  
*Assistant Examiner* — Darcey E Gottschalk  
(74) *Attorney, Agent, or Firm* — BakerHostetler

(57) **CLAIM**

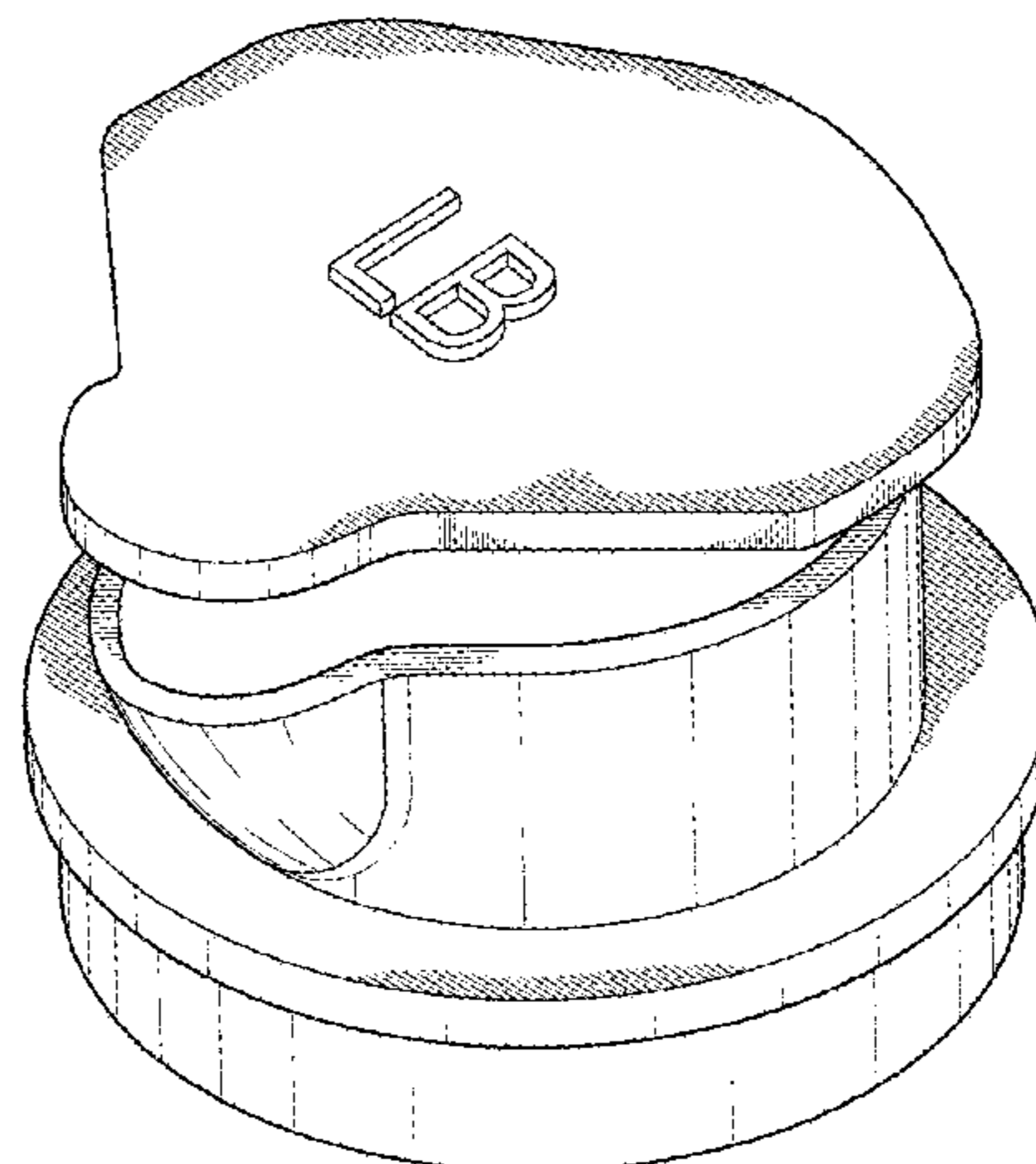
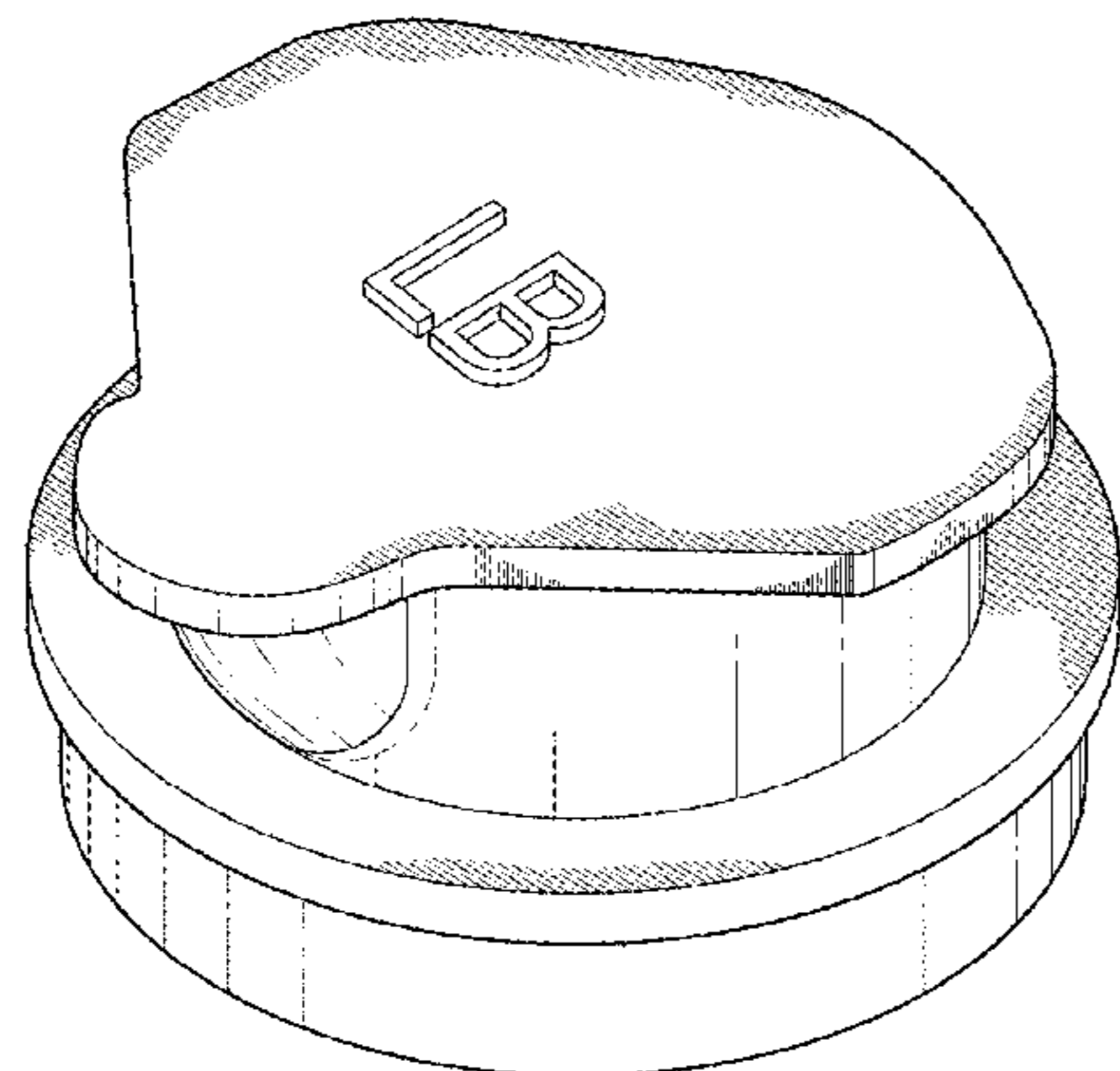
We claim the ornamental design for a pull cap, as shown and described.

**DESCRIPTION**

FIG. 1 is a perspective view of a pull cap.  
FIG. 2 is a front view of the pull cap.  
FIG. 3 is a side view of the pull cap.  
FIG. 4 is back view of the pull cap.  
FIG. 5 is a top view of the pull cap.  
FIG. 6 is a bottom view of the pull cap; and,  
FIG. 7 is a perspective view of the pull cap in its partially open position.  
In the drawings, the broken lines show portions of a pull cap that form no part of the claim.

**1 Claim, 7 Drawing Sheets**

- (56) **References Cited**  
U.S. PATENT DOCUMENTS  
1,863,081 A \* 6/1932 Bellows ..... B65D 41/18  
215/305  
D174,205 S \* 3/1955 Ward ..... D9/446



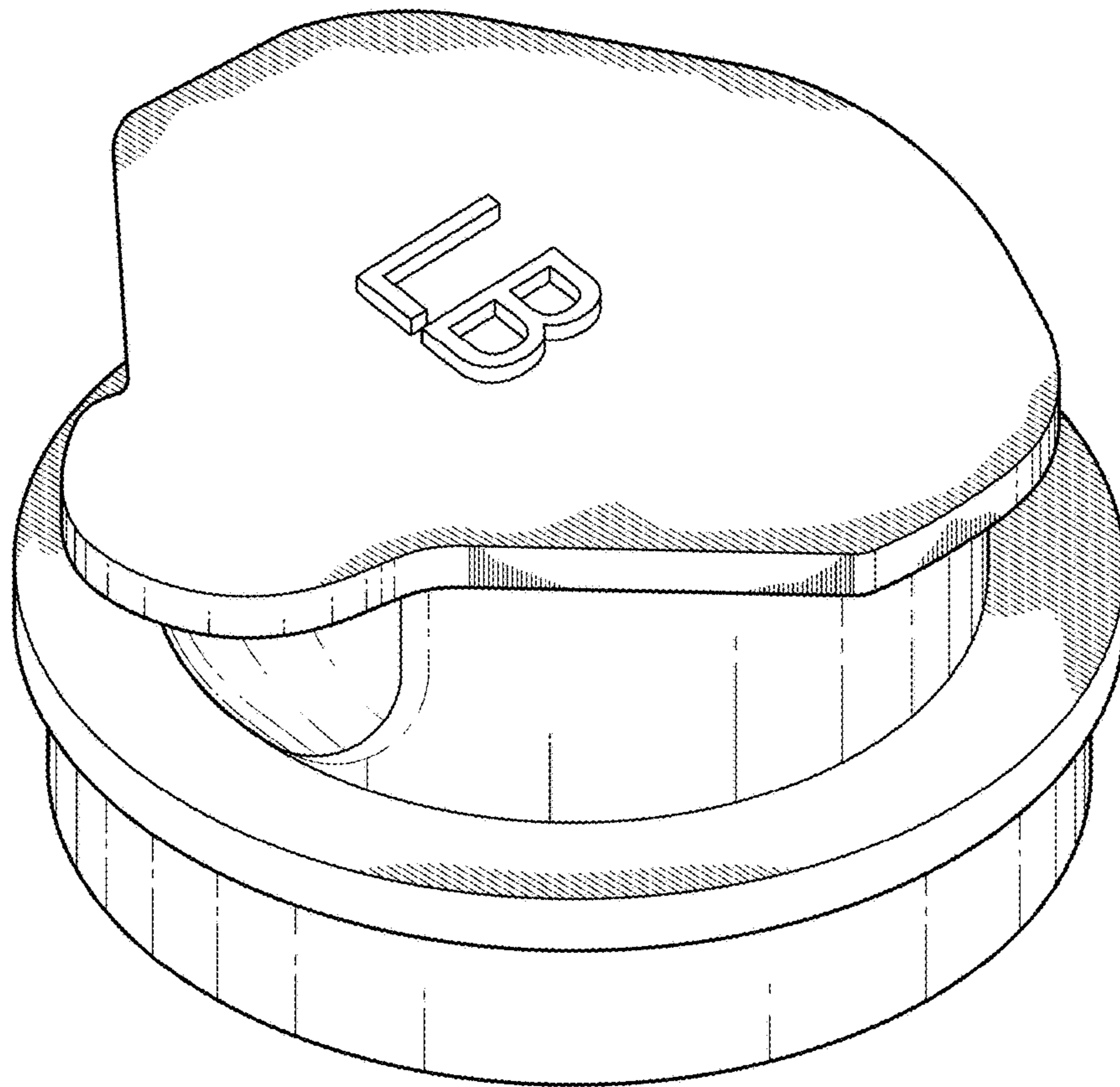


FIG. 1

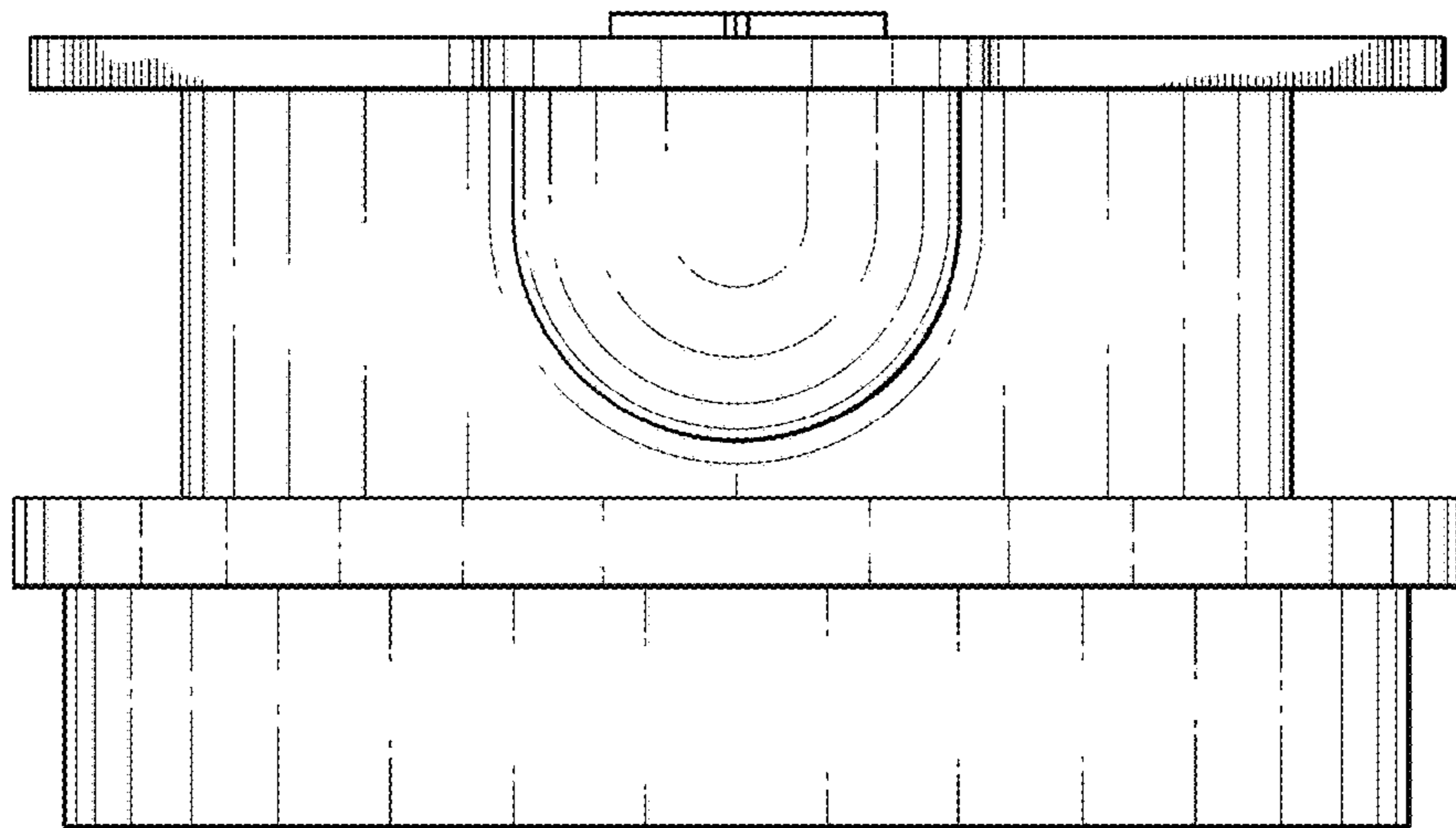


FIG. 2

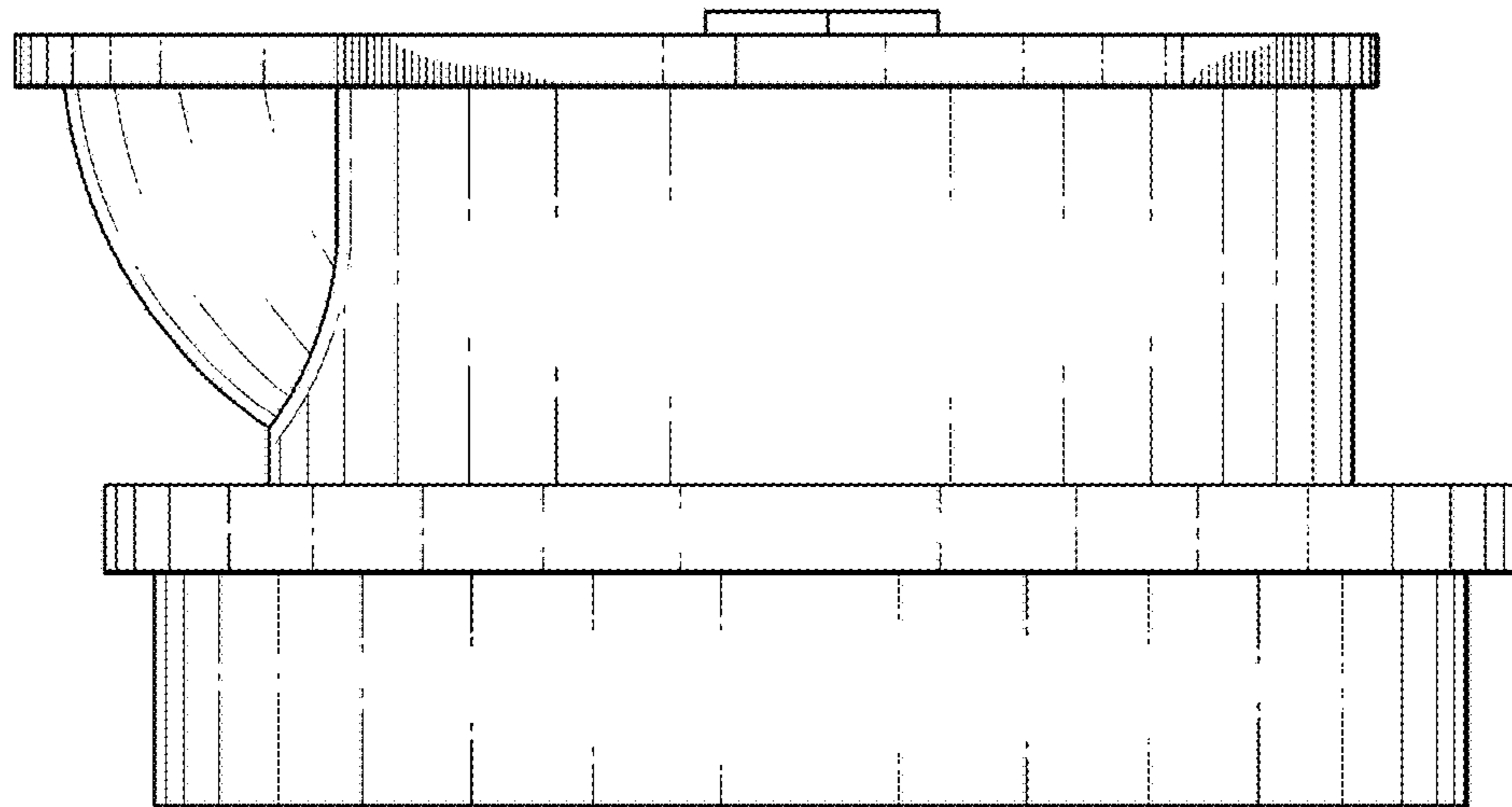


FIG. 3

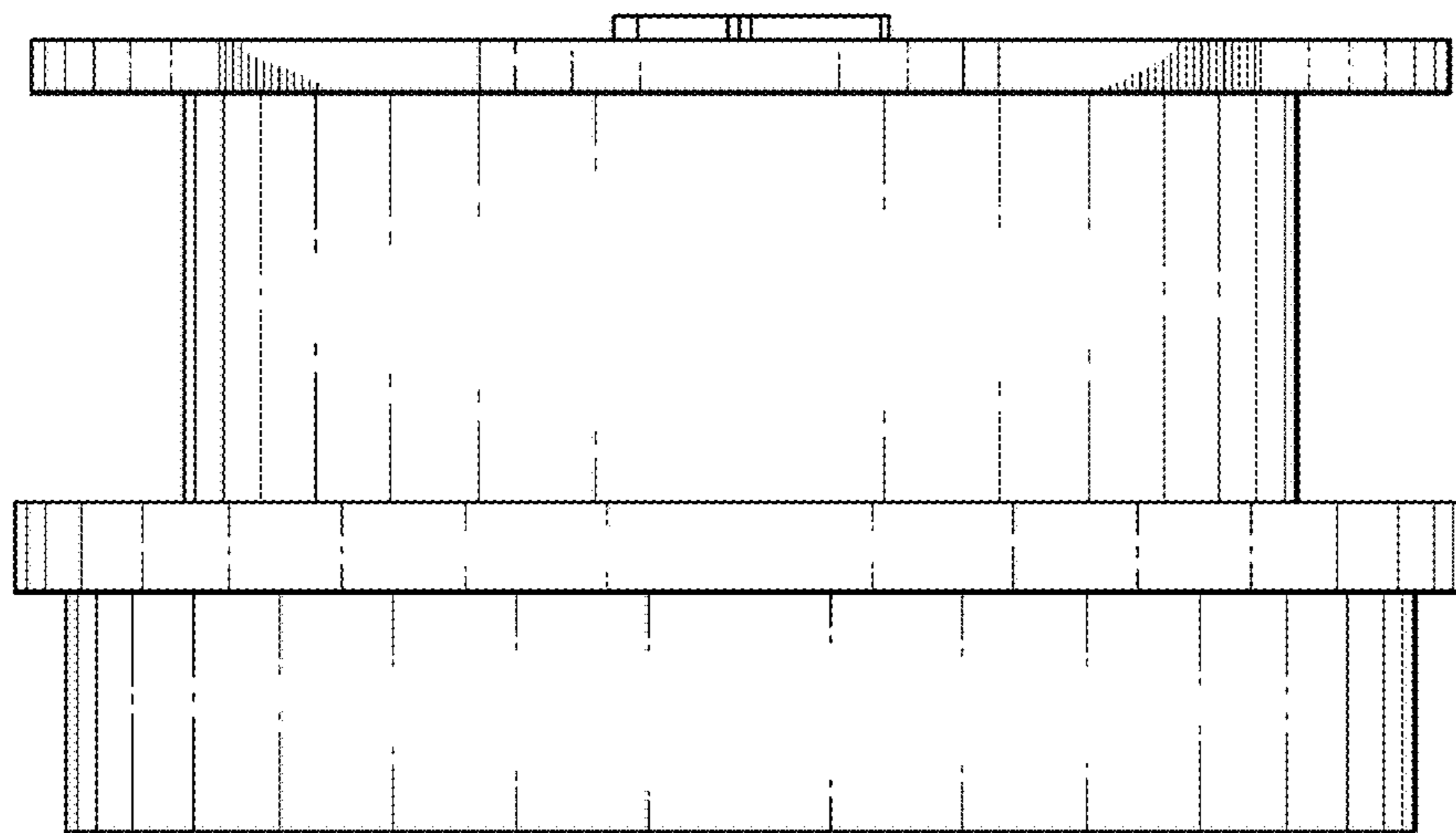


FIG. 4

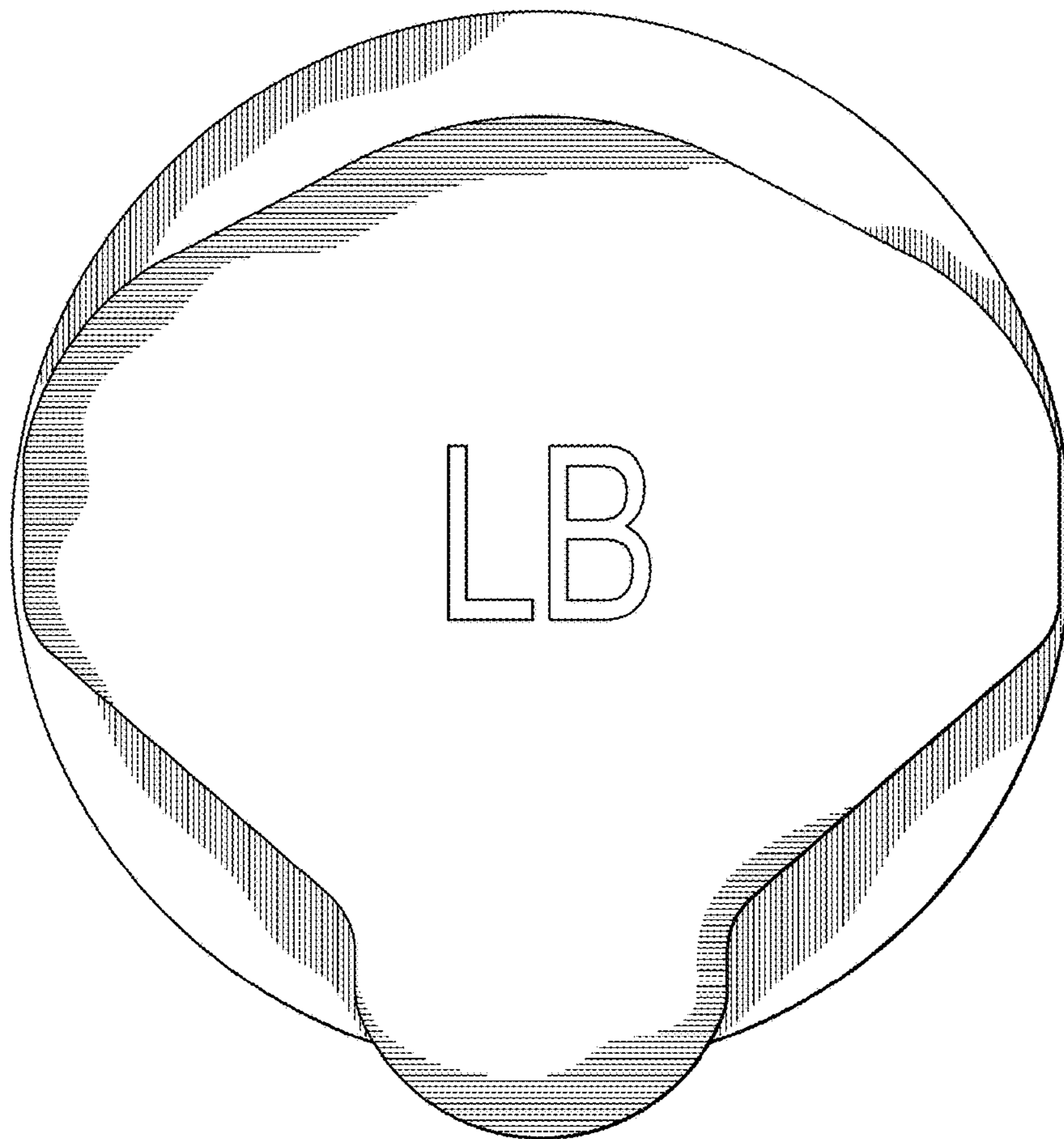


FIG. 5

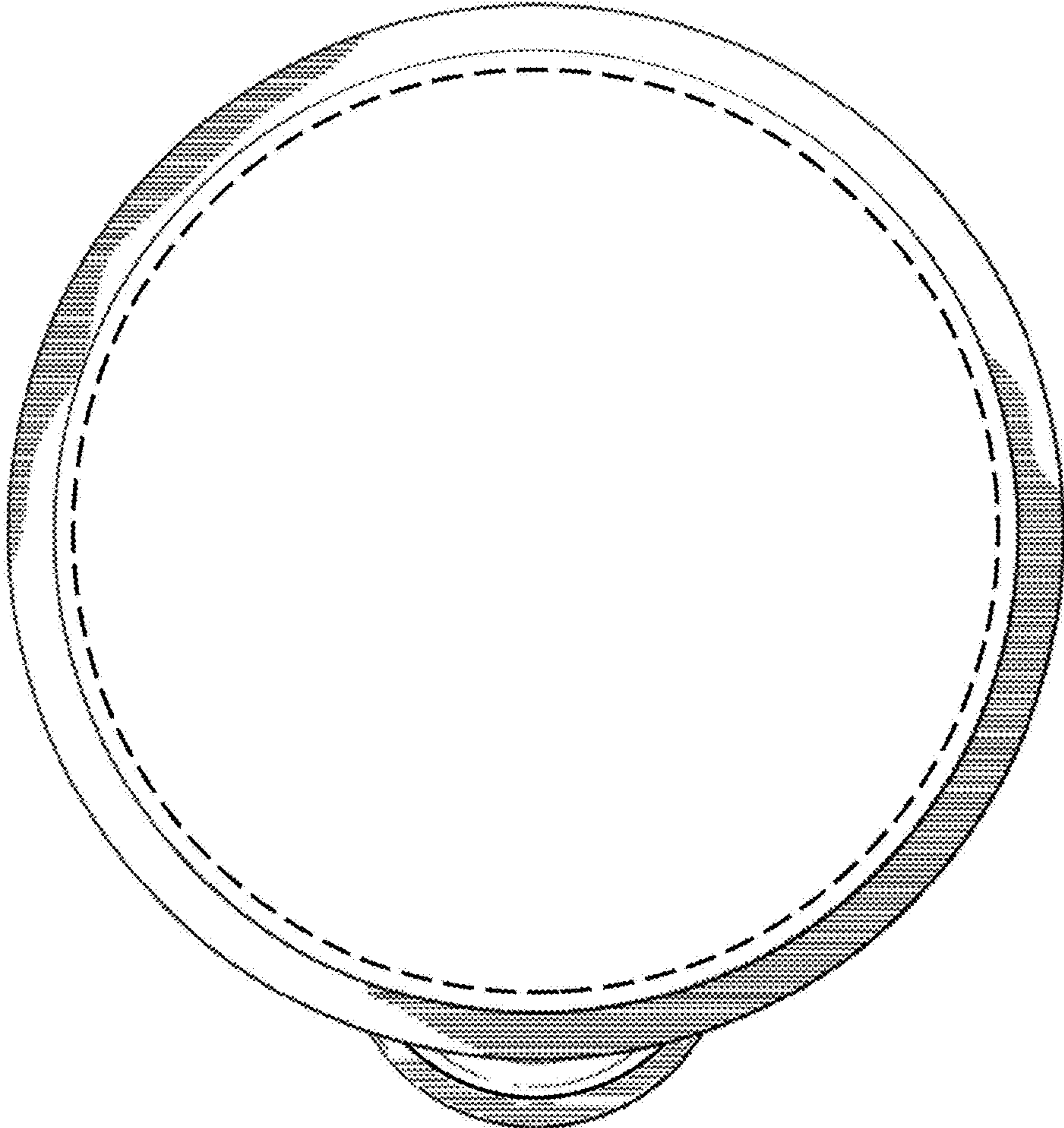


FIG. 6

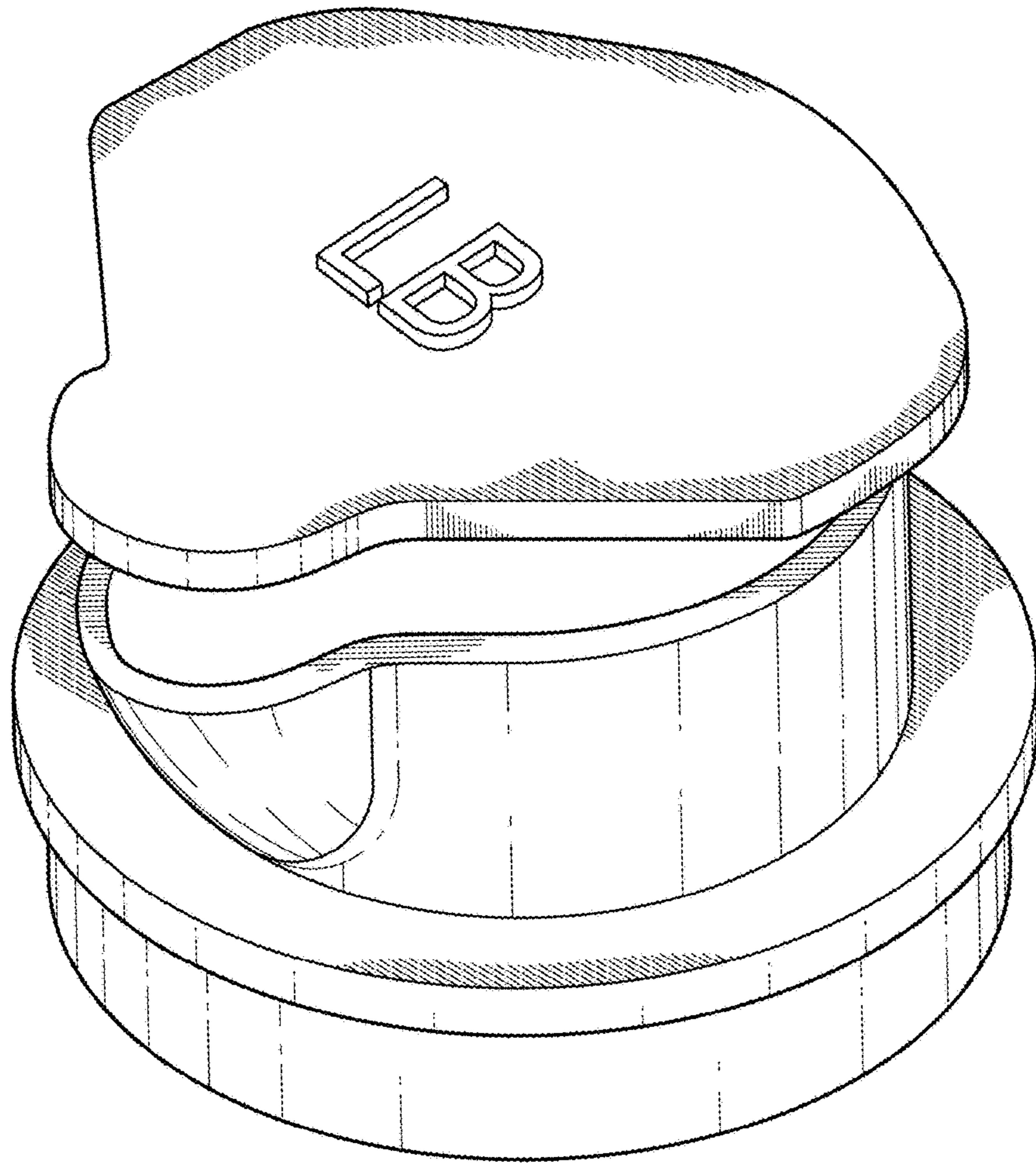


FIG. 7