



US00D867134S

(12) **United States Design Patent**
Savenok

(10) **Patent No.:** **US D867,134 S**
(45) **Date of Patent:** **** Nov. 19, 2019**

(54) **RECLOSABLE LOCKING LID ASSEMBLY**

(71) Applicant: **Pavel Savenok**, Wheaton, IL (US)

(72) Inventor: **Pavel Savenok**, Wheaton, IL (US)

(**) Term: **15 Years**

(21) Appl. No.: **29/585,055**

(22) Filed: **Nov. 19, 2016**

(51) **LOC (12) Cl.** **09-07**

(52) **U.S. Cl.**
USPC **D9/447; D9/450**

(58) **Field of Classification Search**
USPC D9/428, 429, 434, 435, 442, 443,
D9/445-450, 453-456, 499, 682, 684,
(Continued)

(56) **References Cited**

U.S. PATENT DOCUMENTS

- 3,045,887 A * 7/1962 Caine B65D 1/265
206/515
- 5,398,843 A * 3/1995 Warden B65D 43/0212
220/254.1

(Continued)

Primary Examiner — Karen S Acker

Assistant Examiner — Wendy L Arminio

(74) *Attorney, Agent, or Firm* — Christopher J. Scott

(57) **CLAIM**

The ornamental design for the reclosable locking lid assembly, as shown and described.

DESCRIPTION

FIG. 1 is a first anterior top perspective view of a reclosable locking lid assembly in a raised position.

FIG. 2 is a top plan view of the reclosable locking lid assembly in the raised position.

FIG. 3 is a posterior side elevational view of the reclosable locking lid assembly in the raised position.

FIG. 4 is an anterior side elevational view of the reclosable locking lid assembly in the raised position.

FIG. 5 is a first lateral side elevational view of the reclosable locking lid assembly in the raised position.

FIG. 6 is a second lateral side elevational view of the reclosable locking lid assembly in the raised position.

FIG. 7 is a bottom plan view of the reclosable locking lid assembly in the raised position.

FIG. 8 is a second anterior top perspective view of the reclosable locking lid assembly of FIG. 1 shown in a position of use attached to an unclaimed cup.

FIG. 9 is an anterior top perspective view of the reclosable locking lid assembly in the raised position and with the upper portion removed therefrom.

FIG. 10 is top plan view of the reclosable locking lid assembly in the raised position and with the upper portion removed therefrom.

FIG. 11 is an anterior top perspective view of the upper portion of the reclosable locking lid assembly removed from the bottom portion.

FIG. 12 is a top plan view of the upper portion of the reclosable locking lid assembly removed from the bottom portion.

FIG. 13 is a first lateral edge view of the upper portion of the reclosable locking lid assembly removed from the bottom portion.

FIG. 14 is a second lateral edge view of the upper portion of the reclosable locking lid assembly removed from the bottom portion.

FIG. 15 is an anterior edge view of the upper portion of the reclosable locking lid assembly removed from the bottom portion.

FIG. 16 is a posterior edge view of the upper portion of the reclosable locking lid assembly removed from the bottom portion.

FIG. 17 is a bottom plan view of the upper portion of the reclosable locking lid assembly removed from the bottom portion.

FIG. 18 is a first anterior top perspective view of the reclosable locking lid assembly in a lowered position.

FIG. 19 is a top plan view of the reclosable locking lid assembly in the lowered position.

(Continued)

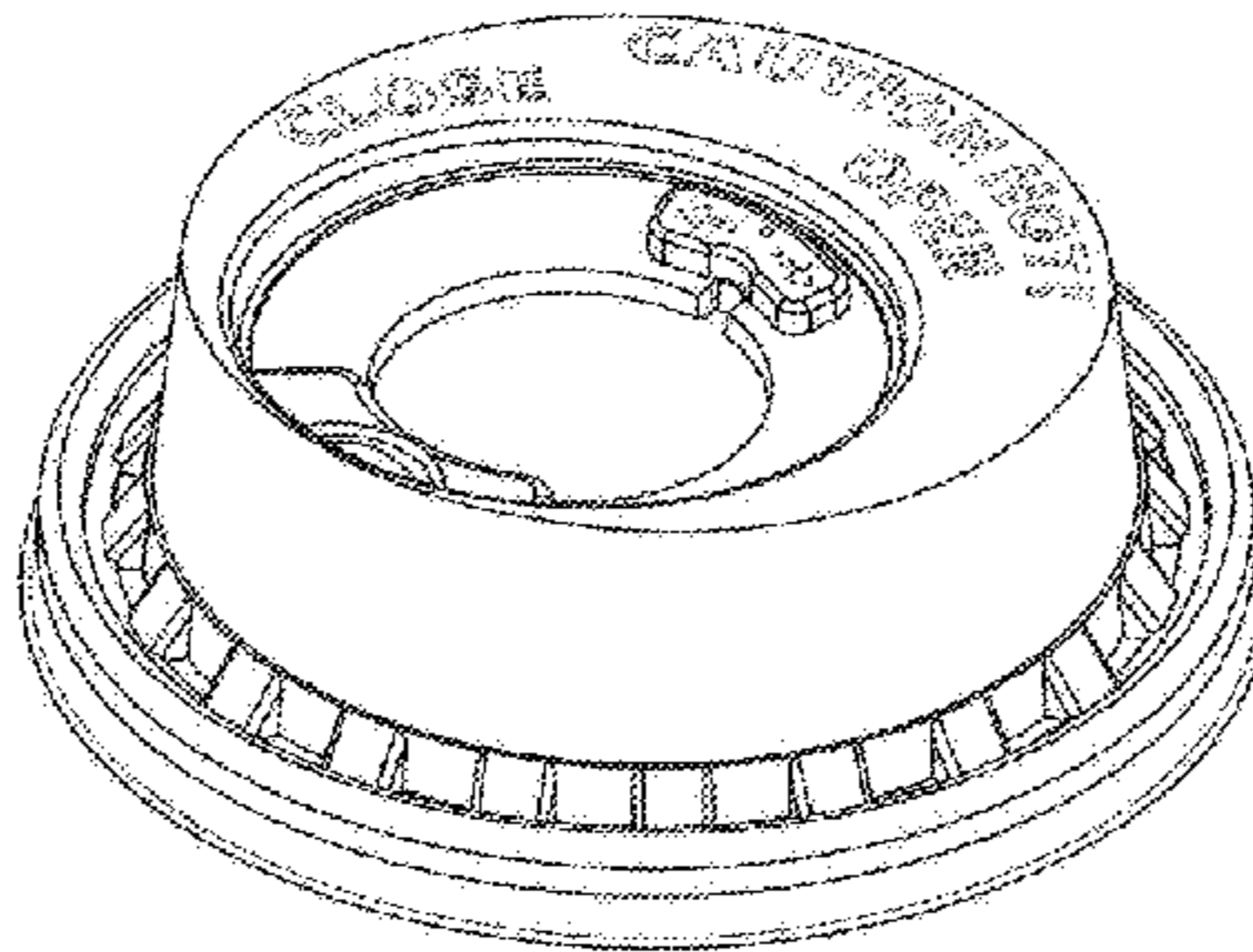


FIG. 20 is a posterior side elevational view of the reclosable locking lid assembly in the lowered position.

FIG. 21 is an anterior side elevational view of the reclosable locking lid assembly in the lowered position.

FIG. 22 is a first lateral side elevational view of the reclosable locking lid assembly in the lowered position.

FIG. 23 is a second lateral side elevational view of the reclosable locking lid assembly in the lowered position.

FIG. 24 is a bottom plan view of the reclosable locking lid assembly in the lowered position.

FIG. 25 is a second anterior top perspective view of the reclosable locking lid assembly of FIG. 18 shown in a position of use attached to an unclaimed cup.

FIG. 26 is an anterior top perspective view of the reclosable locking lid assembly in the lowered position and with the upper portion removed therefrom.

FIG. 27 is a top plan of the reclosable locking lid assembly in the lowered position and with the upper portion removed therefrom.

The broken lines in FIGS. 8 and 25 illustrating a cup depict environment and form no part of the claimed design. All other broken lines depict portions of the reclosable locking lid assembly that form no part of the claimed design.

1 Claim, 9 Drawing Sheets

(58) **Field of Classification Search**

USPC D9/685, 726; D7/387, 388, 392, 392.1, D7/393, 396.2, 396.3, 396.4, 401.1, 408, D7/504, 507, 509-511, 538, 900; D3/202, 203.2, 318; D28/91.1
CPC .. A61J 1/00; A61J 1/1412; B65D 1/00; B65D 1/02; B65D 1/10; B65D 1/46; B65D 2585/56; B65D 2585/545; B65D 41/00; B65D 41/38; B65D 41/56; B65D 41/62; B65D 47/00; B65D 47/06; B65D 47/08; B65D 2543/00046; B65D 2543/00092; B65D 2543/00296; B65D 5/46; B65D 2251/00

See application file for complete search history.

(56) **References Cited**

U.S. PATENT DOCUMENTS

D441,288 S * 5/2001 Pillers D7/392.1
6,612,456 B1 * 9/2003 Hundley B65D 43/0212
220/254.1

D493,108 S * 7/2004 Burr D9/433
D496,587 S * 9/2004 Burr D9/433
7,100,790 B2 * 9/2006 Dark A47G 19/2272
220/711
D533,777 S * 12/2006 Hundley D9/447
D632,174 S * 2/2011 Charbonnet D9/447
D643,286 S * 8/2011 Zomorodi D9/429
D649,878 S * 12/2011 Weiss D9/447
D658,059 S * 4/2012 Bailey D9/447
D660,696 S * 5/2012 Weiss D9/447
8,616,405 B2 * 12/2013 French B65D 43/0208
220/711
D700,512 S * 3/2014 Daniel D9/447
D703,044 S * 4/2014 Chou D9/435
D716,654 S * 11/2014 Dubitsky D9/435
9,364,107 B2 * 6/2016 Bolek A47G 19/2205
D761,104 S * 7/2016 Buck D9/447
D767,391 S * 9/2016 Buck D9/447
D792,738 S * 7/2017 Savenok D7/392.1
2003/0089713 A1 * 5/2003 Belt B65D 47/265
220/253
2005/0127075 A1 * 6/2005 Smith B65D 17/506
220/253
2005/0224503 A1 * 10/2005 Dantani B65D 43/0212
220/711
2006/0180028 A1 * 8/2006 Burchard B65D 51/24
99/275
2011/0303678 A1 * 12/2011 Zomorodi B65D 81/3205
220/574
2013/0233898 A1 * 9/2013 Resnikoff B65D 47/06
222/568
2013/0277380 A1 * 10/2013 Koestring B65D 43/02
220/713
2013/0292381 A1 * 11/2013 Chen B65D 43/0212
220/254.4
2015/0076151 A1 * 3/2015 Knipe B65D 43/0212
220/254.3
2015/0251818 A1 * 9/2015 Strachan B65D 43/0208
220/254.8
2015/0375910 A1 * 12/2015 Cohen Bissu B65D 47/265
53/484
2016/0058223 A1 * 3/2016 Savenok B65D 43/0212
220/713
2016/0135627 A1 * 5/2016 Savenok B65D 43/0212
220/713
2016/0198876 A1 * 7/2016 Mithal A47G 19/2211
220/713
2017/0071379 A1 * 3/2017 Savenok A47G 19/2272

* cited by examiner

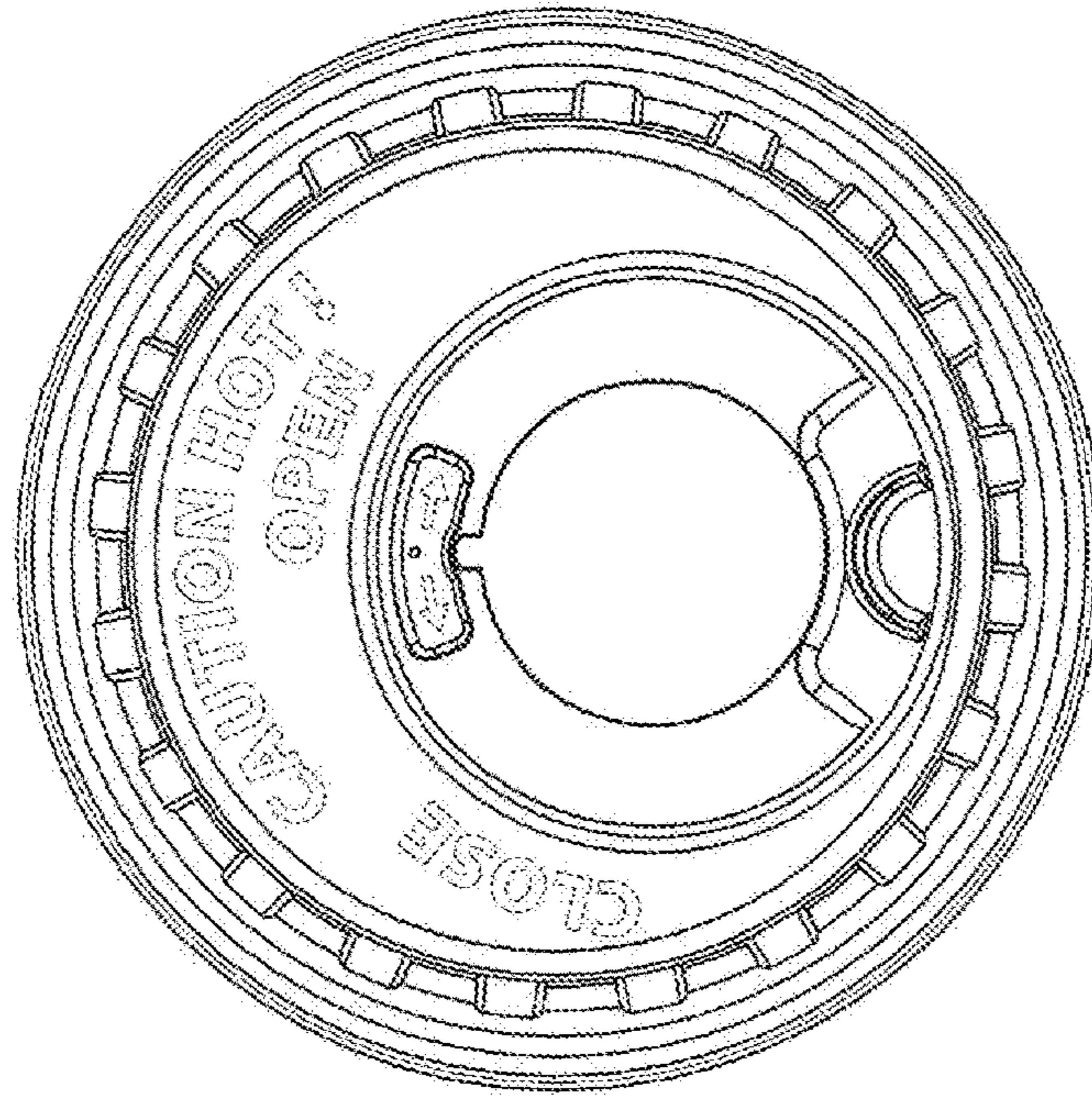


FIG. 2

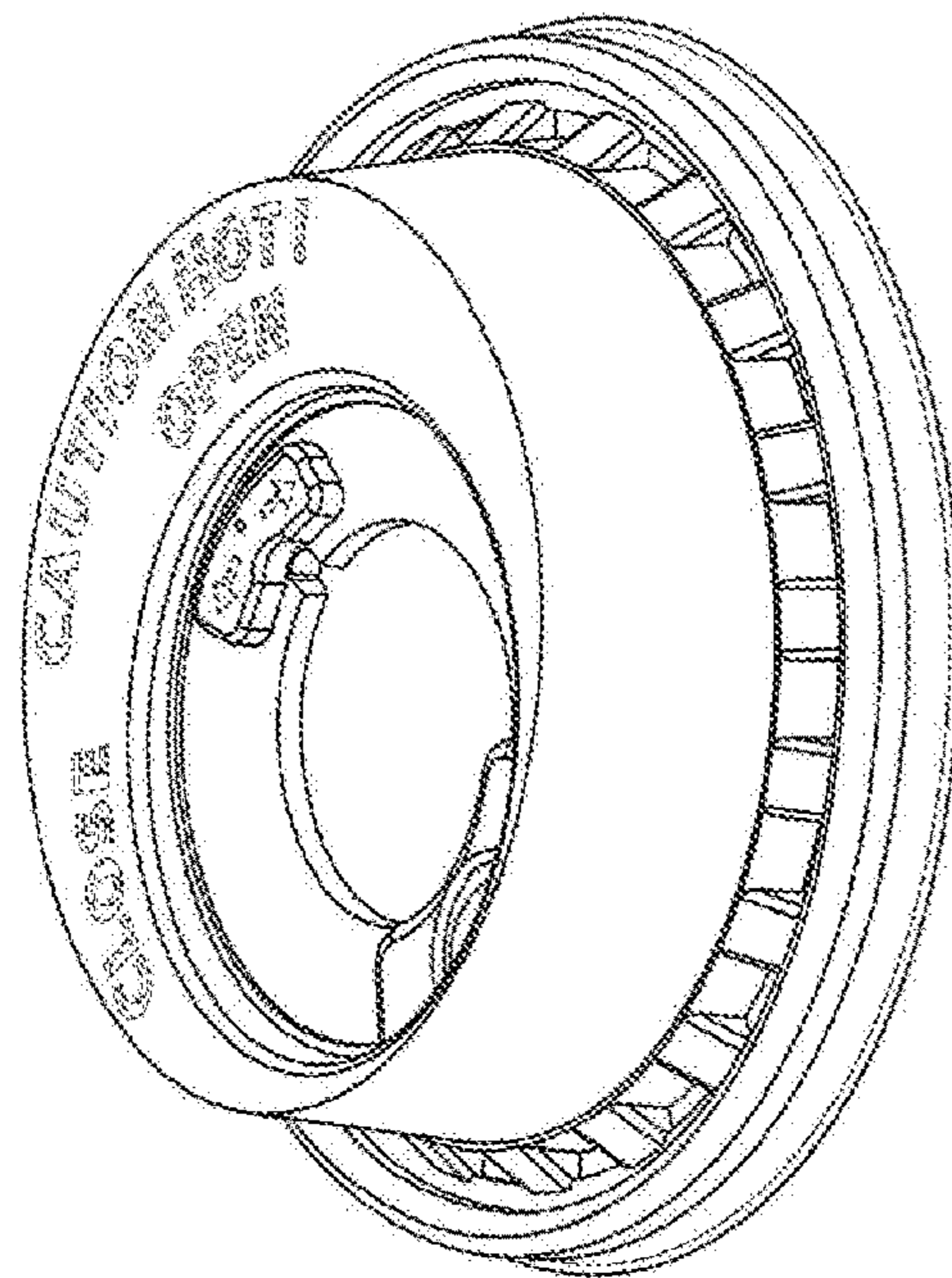


FIG. 1

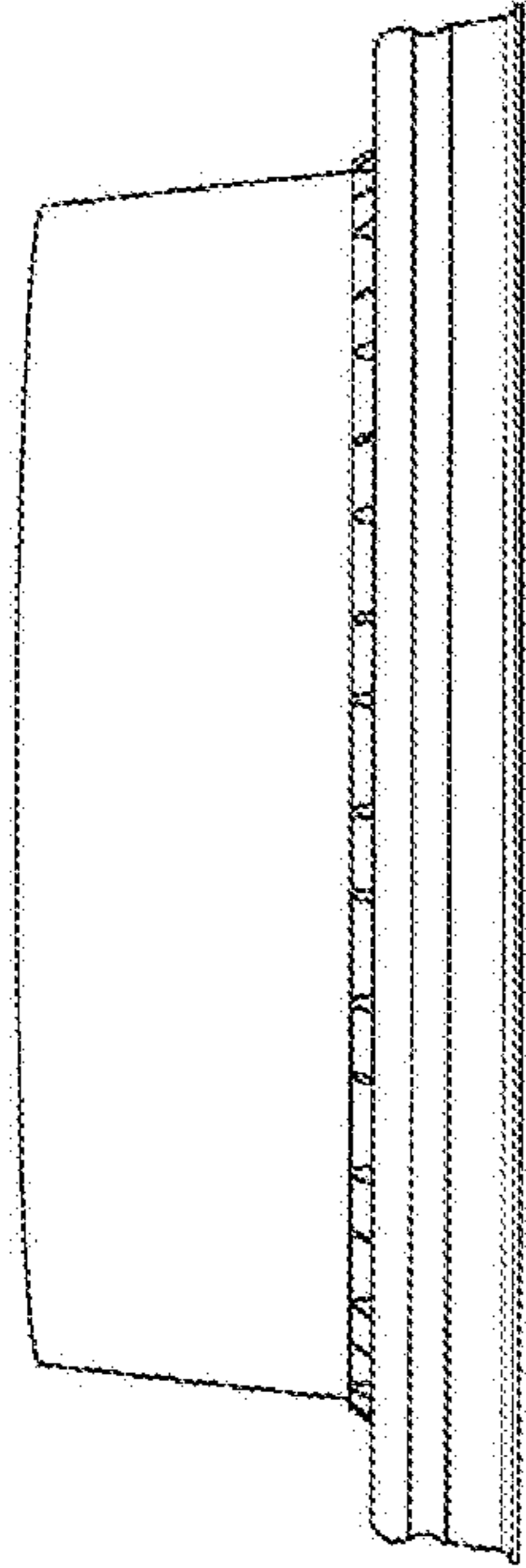


FIG. 4

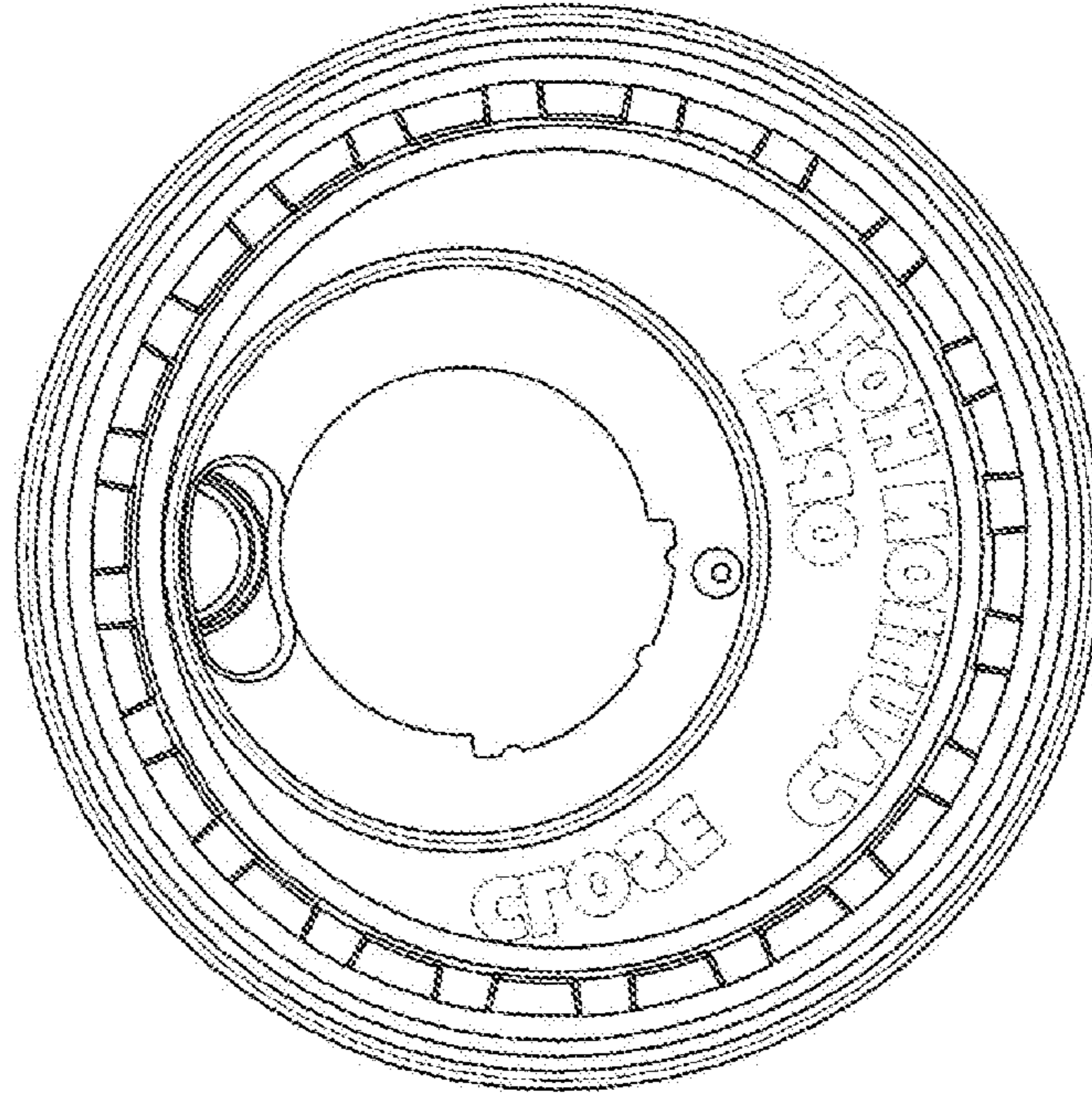


FIG. 7

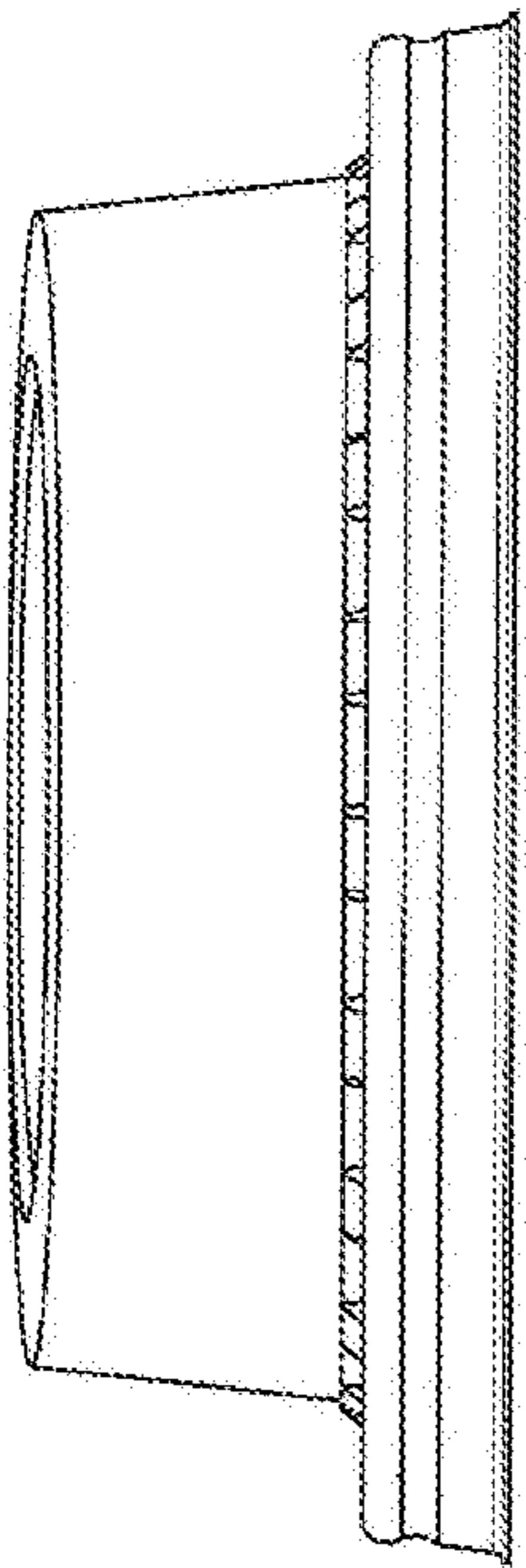


FIG. 3

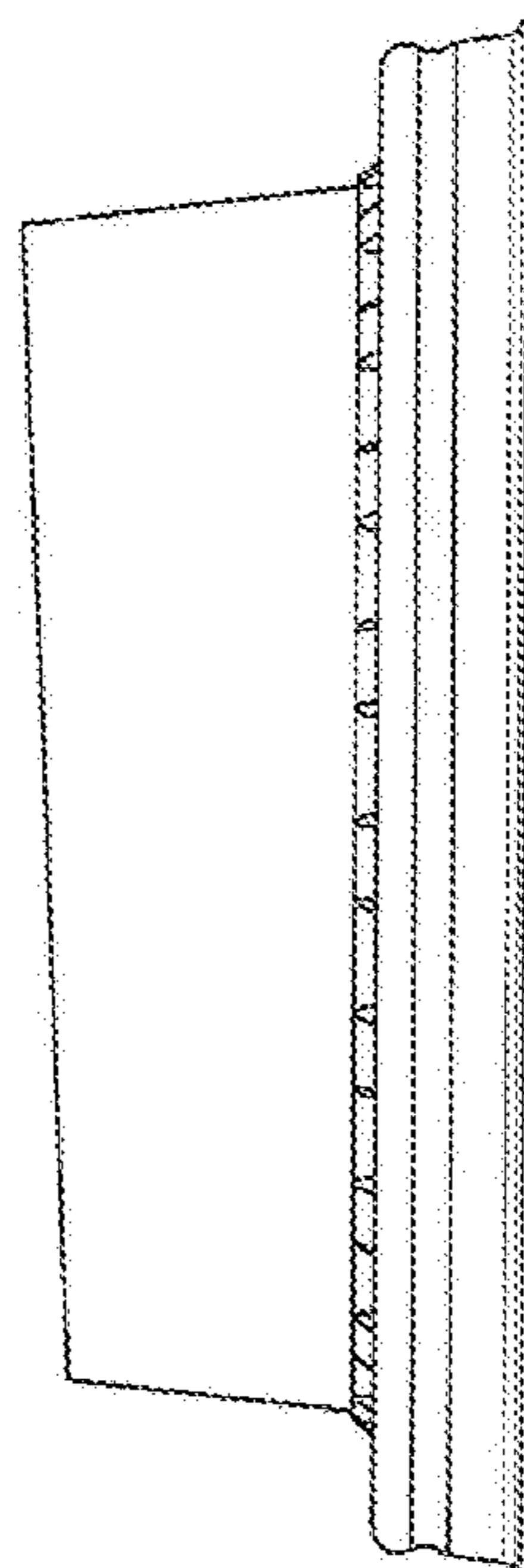


FIG. 5

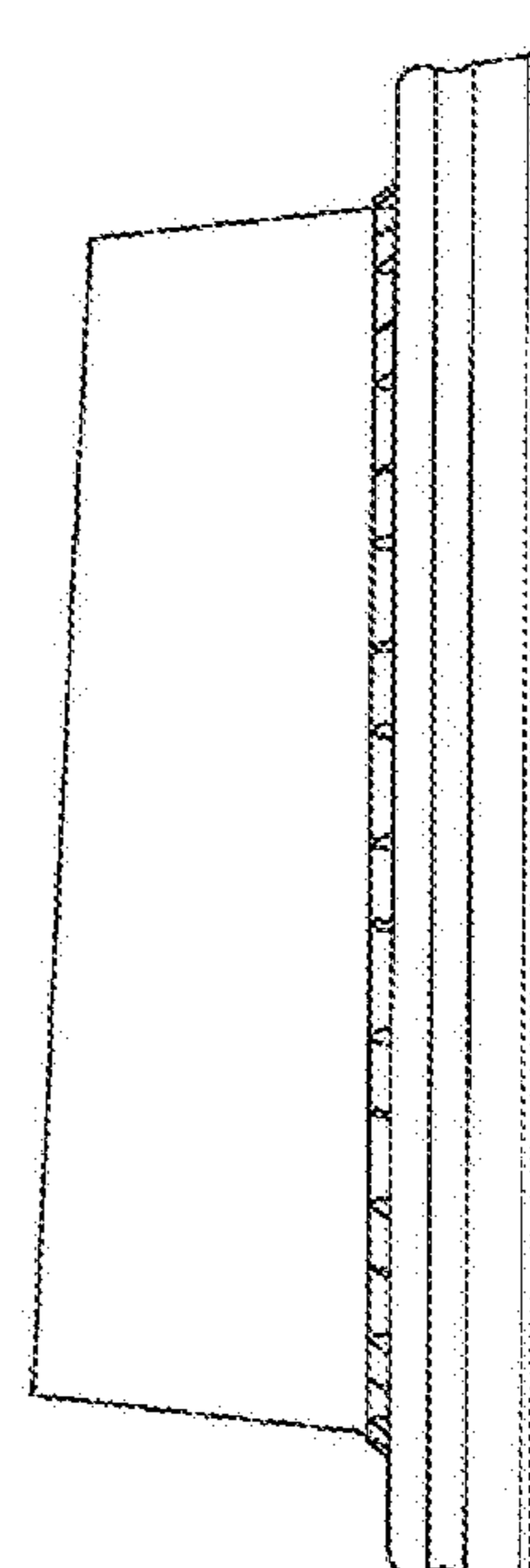


FIG. 6

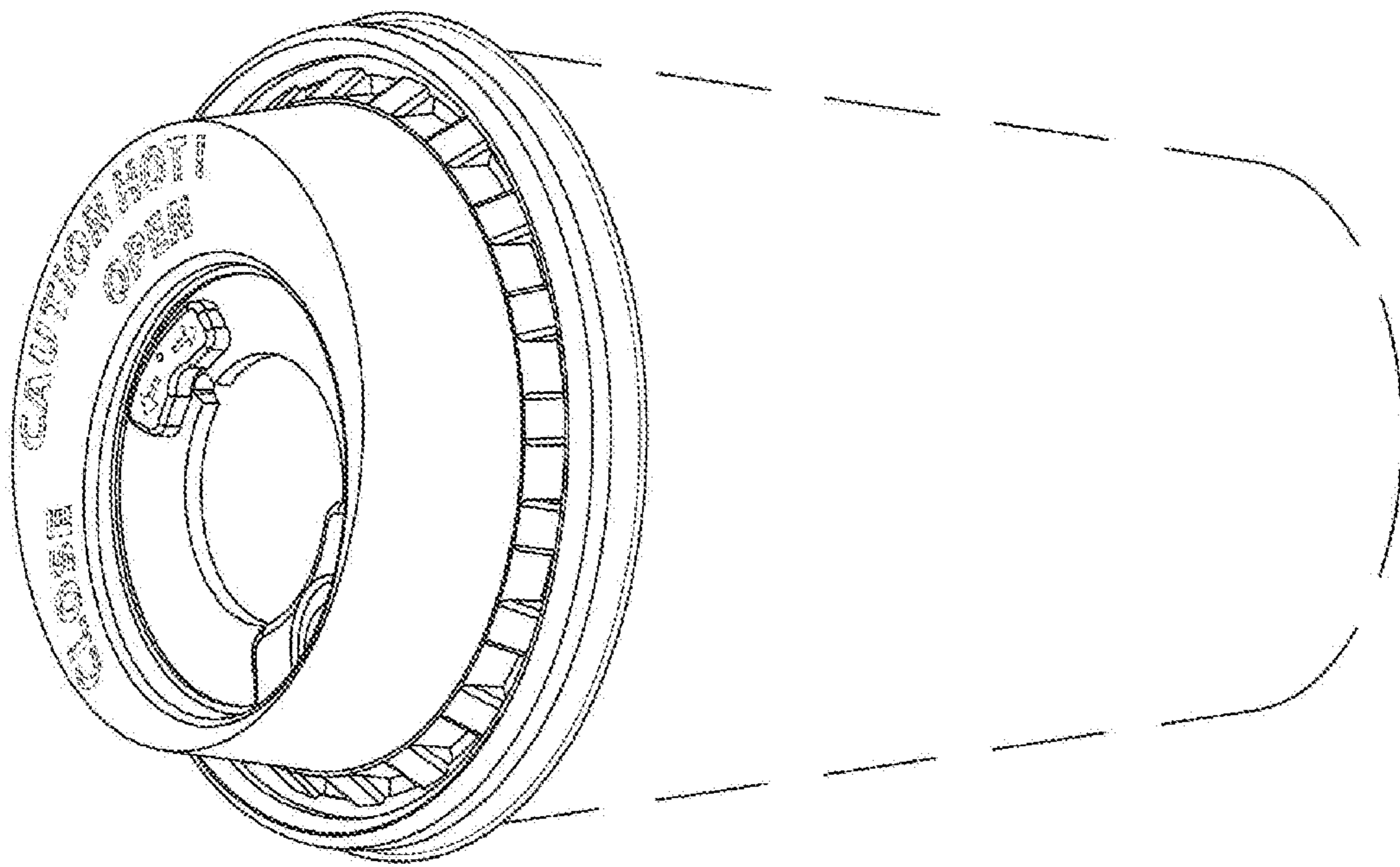


FIG. 8

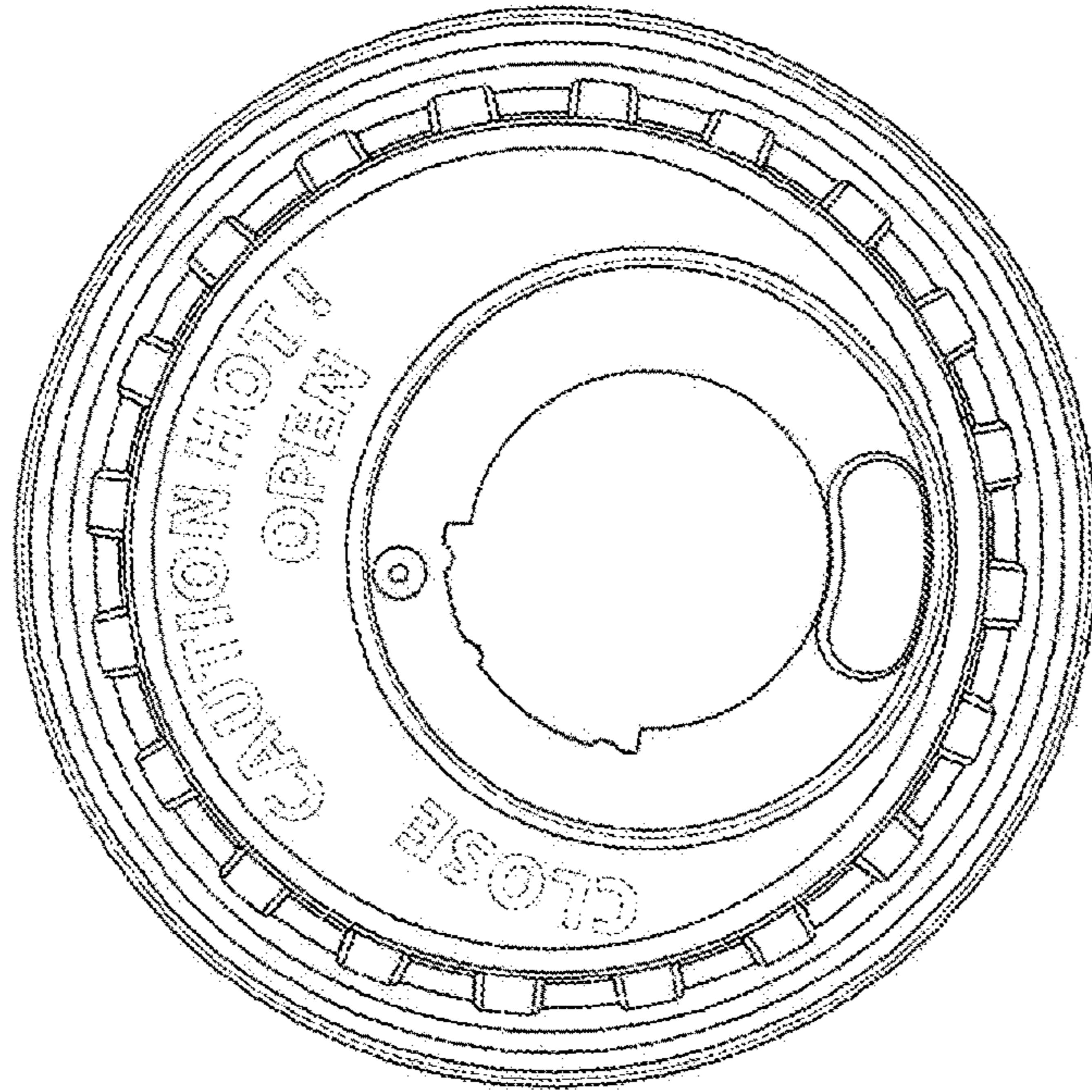


FIG. 10

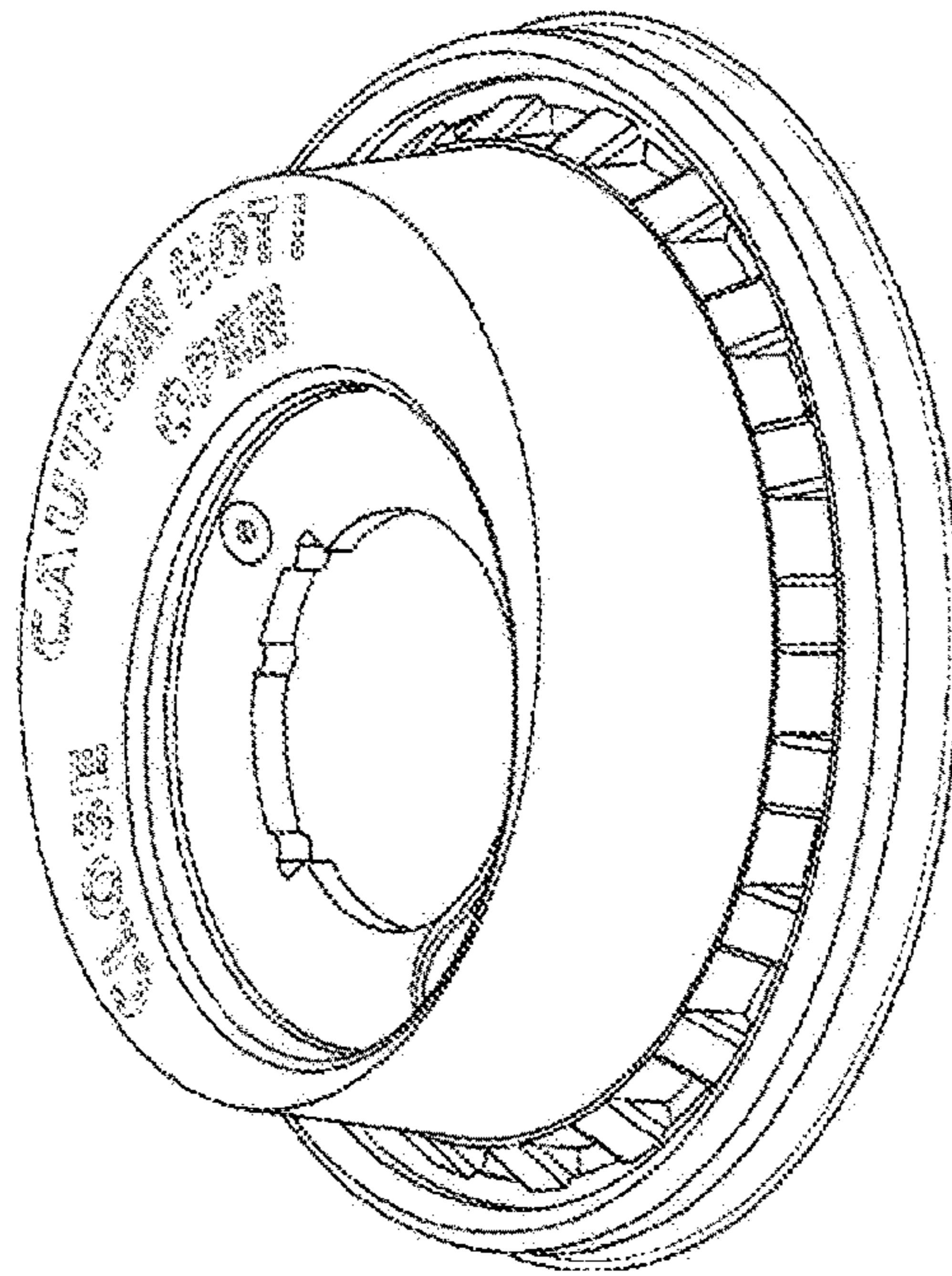


FIG. 9

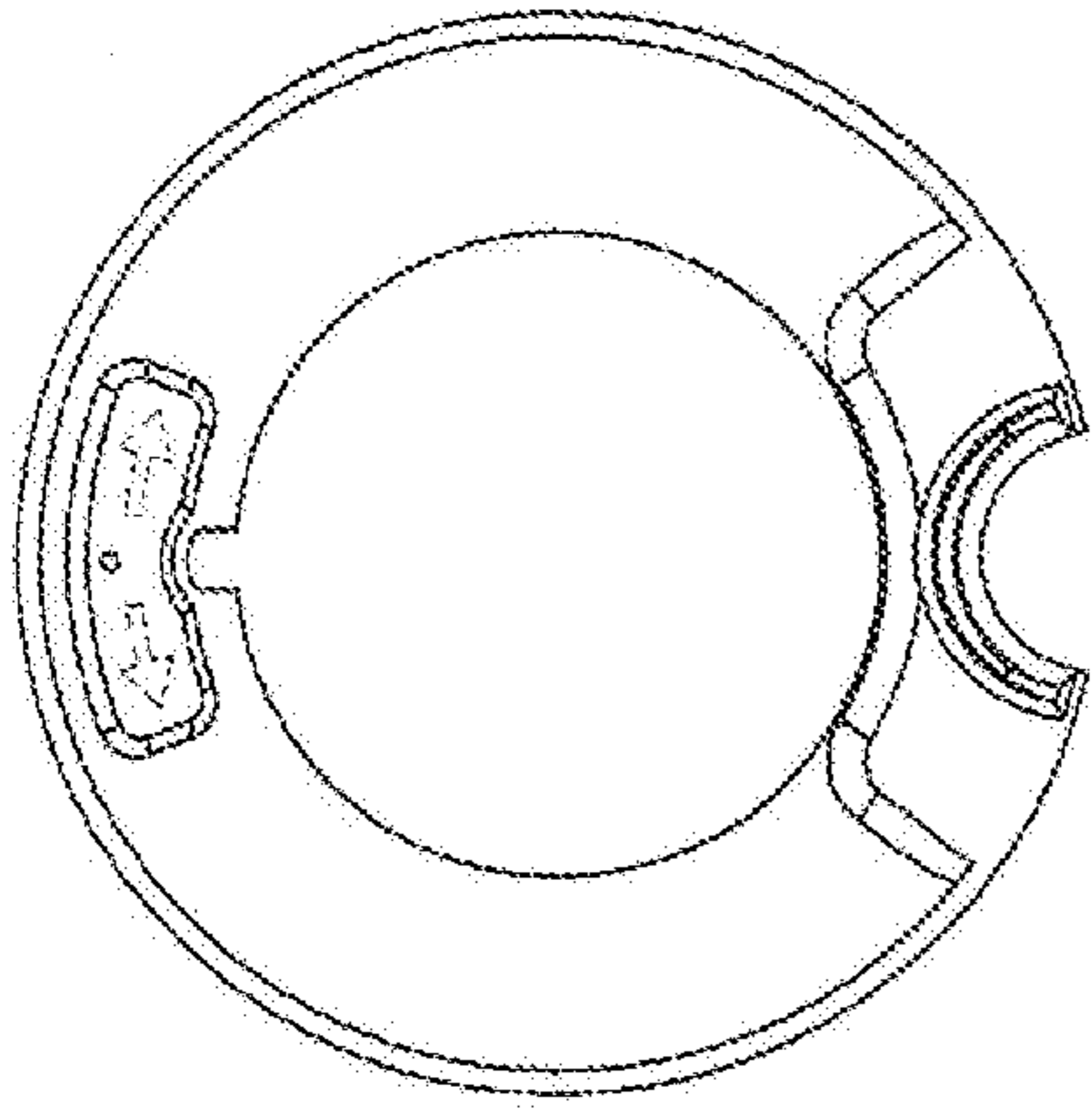


FIG. 12

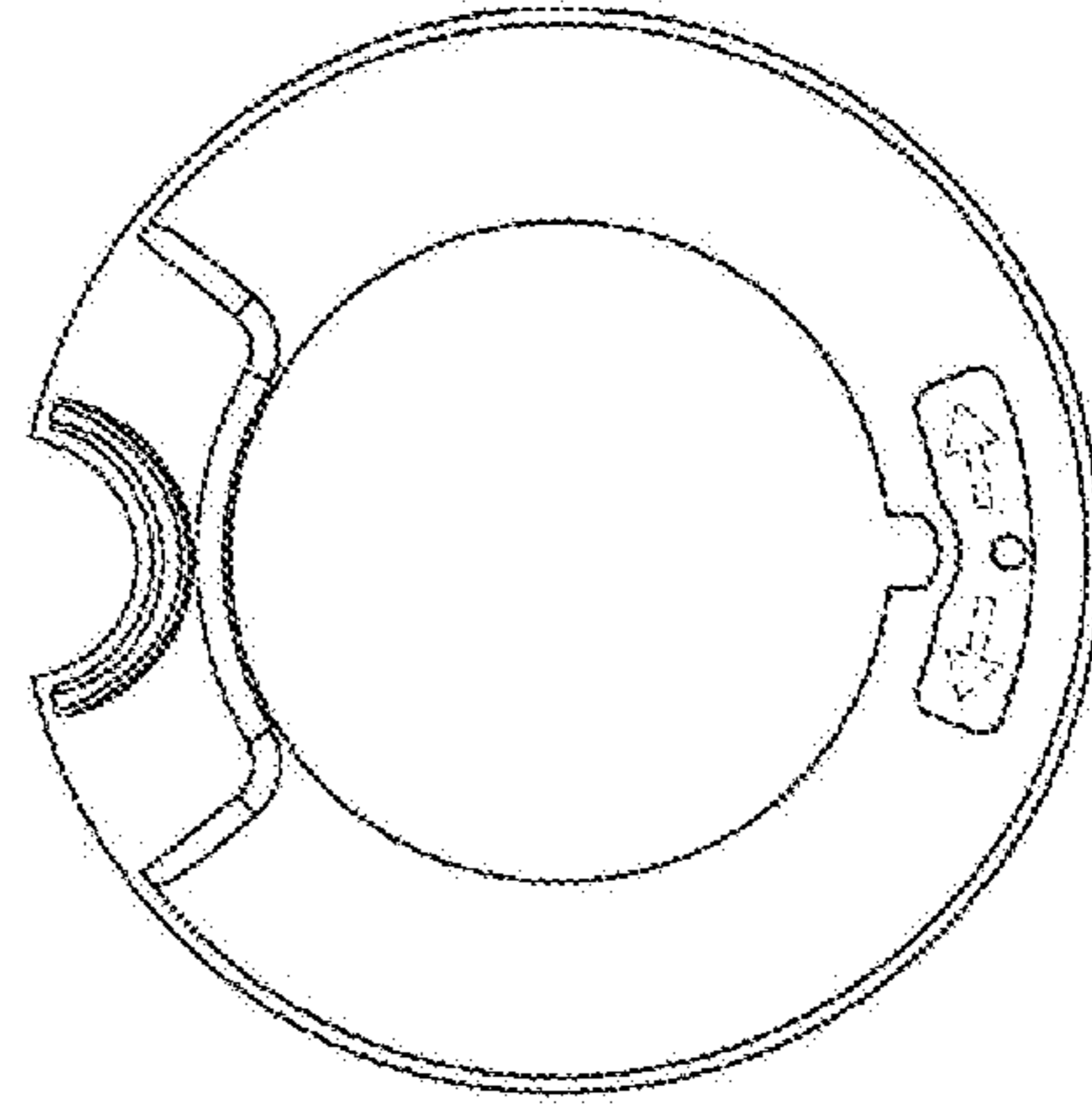


FIG. 17

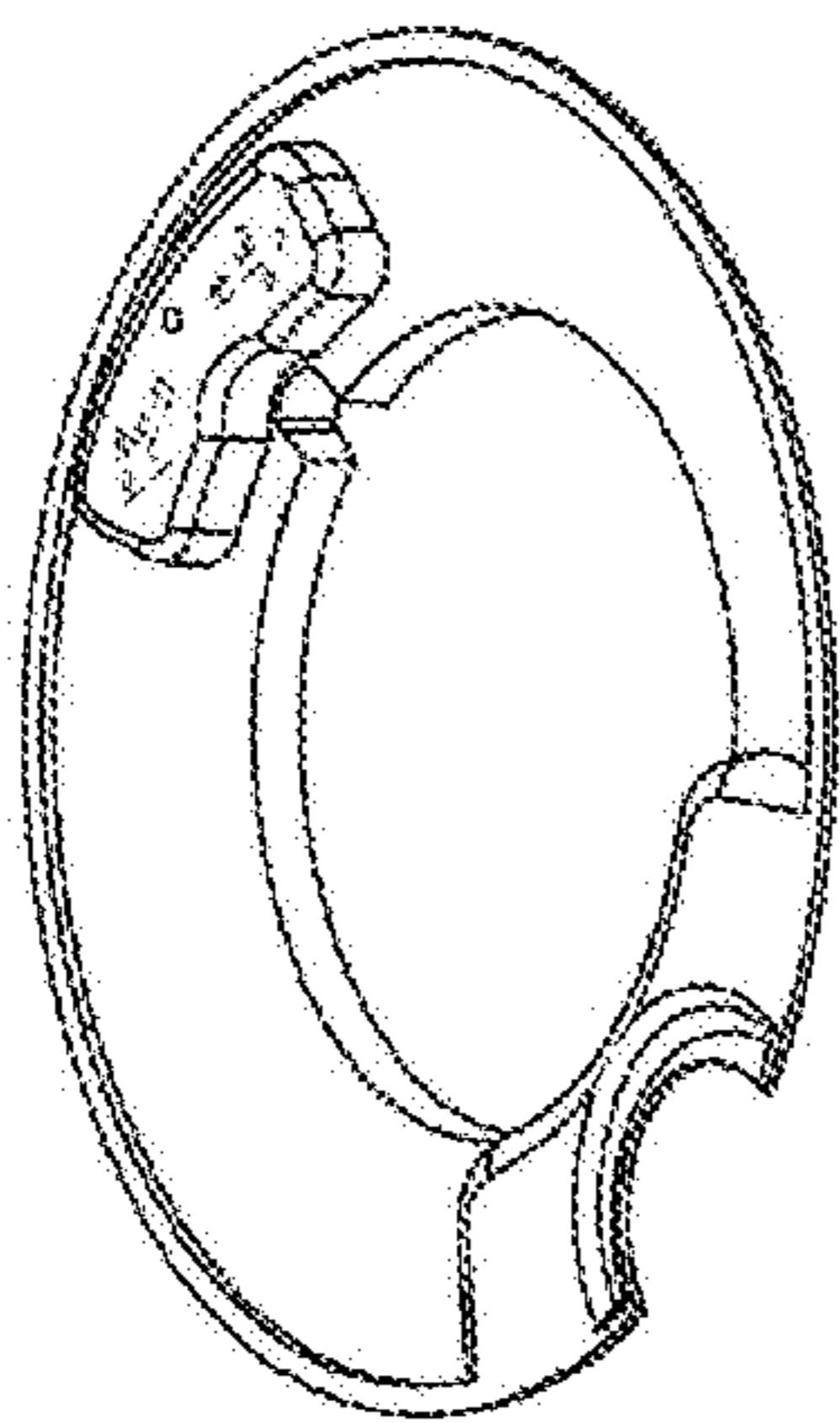


FIG. 11

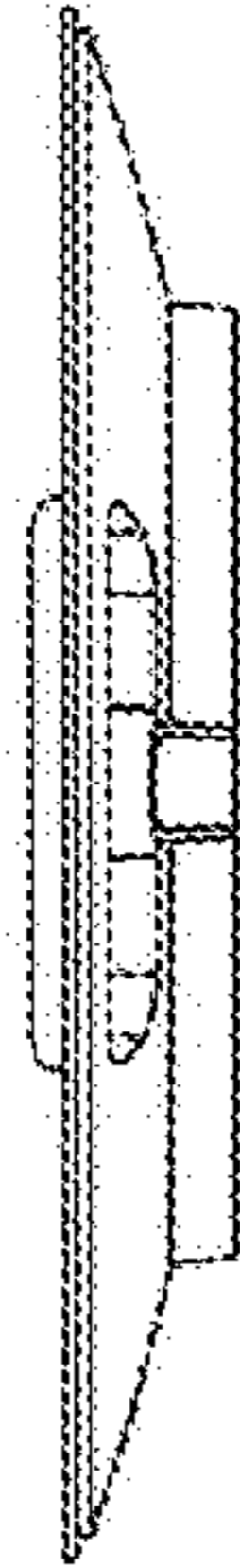


FIG. 15

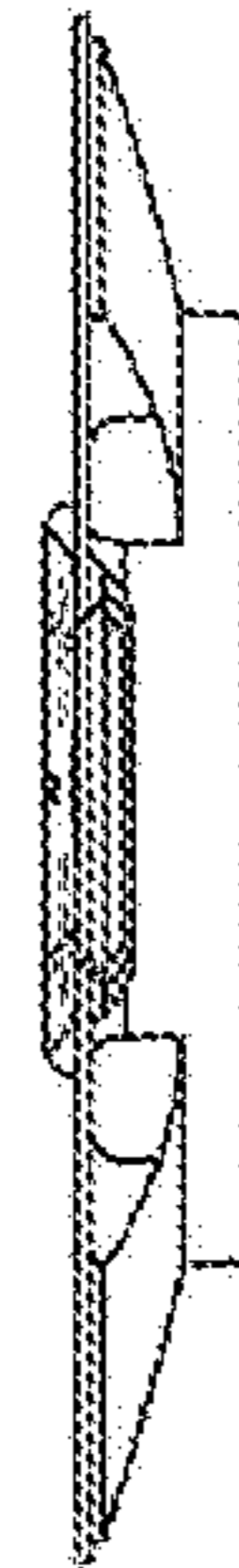


FIG. 16

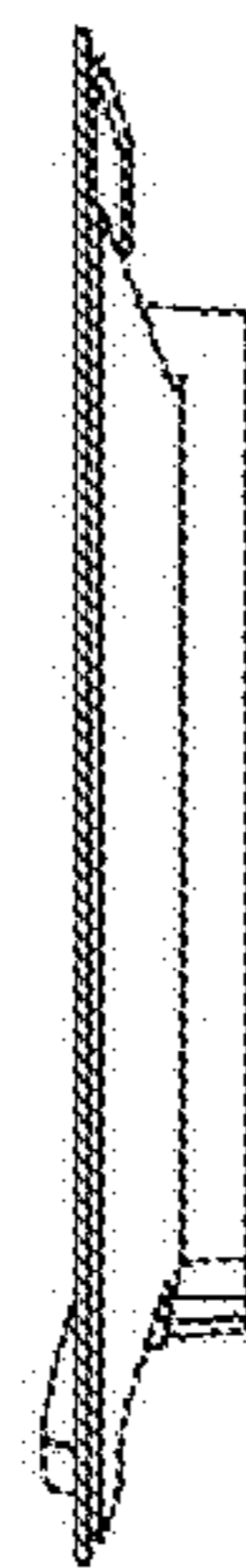


FIG. 13

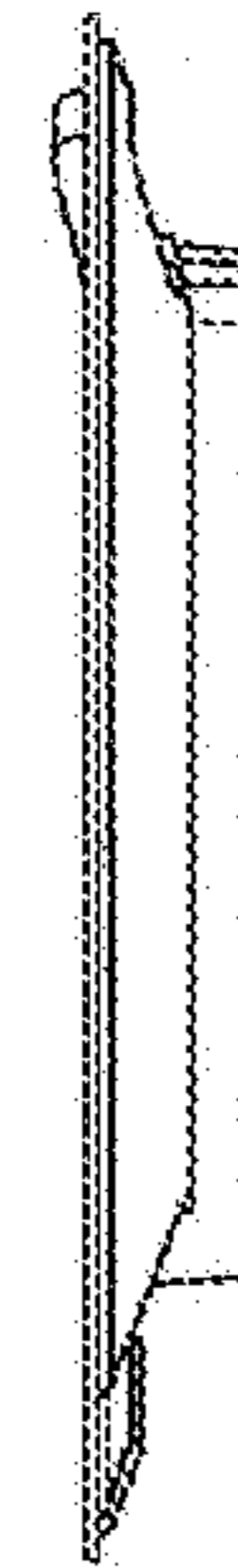


FIG. 14

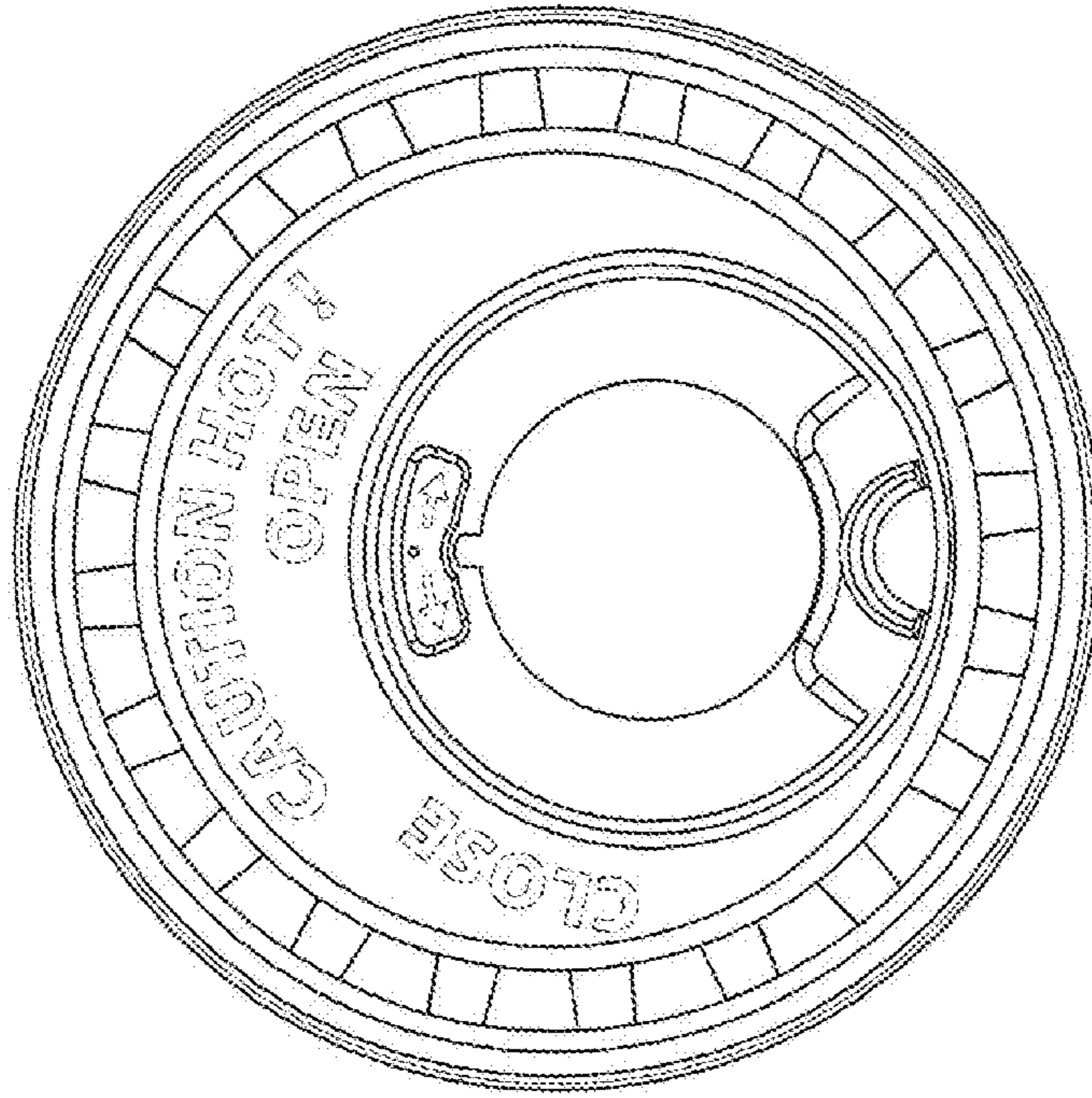


FIG. 19

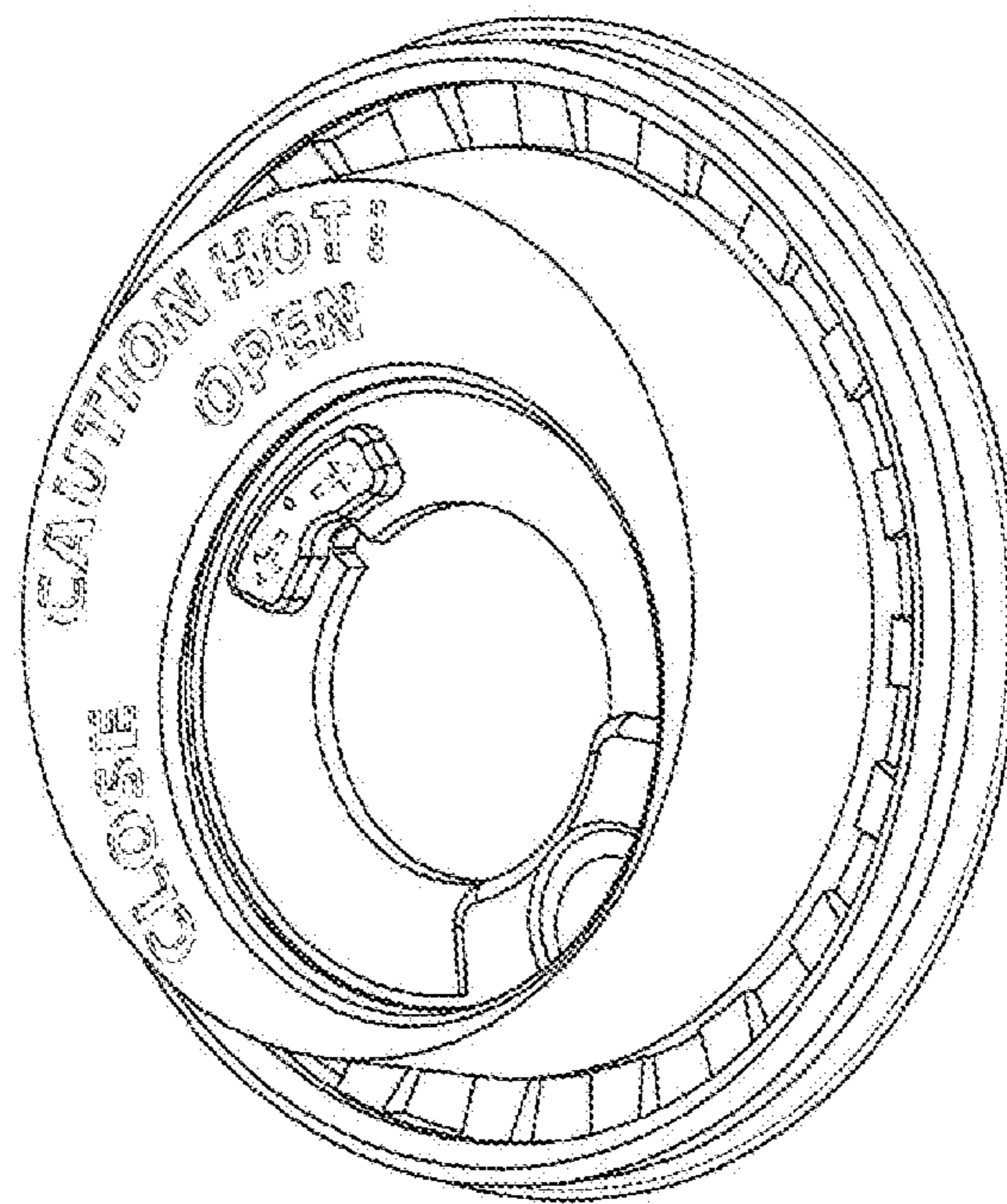


FIG. 18

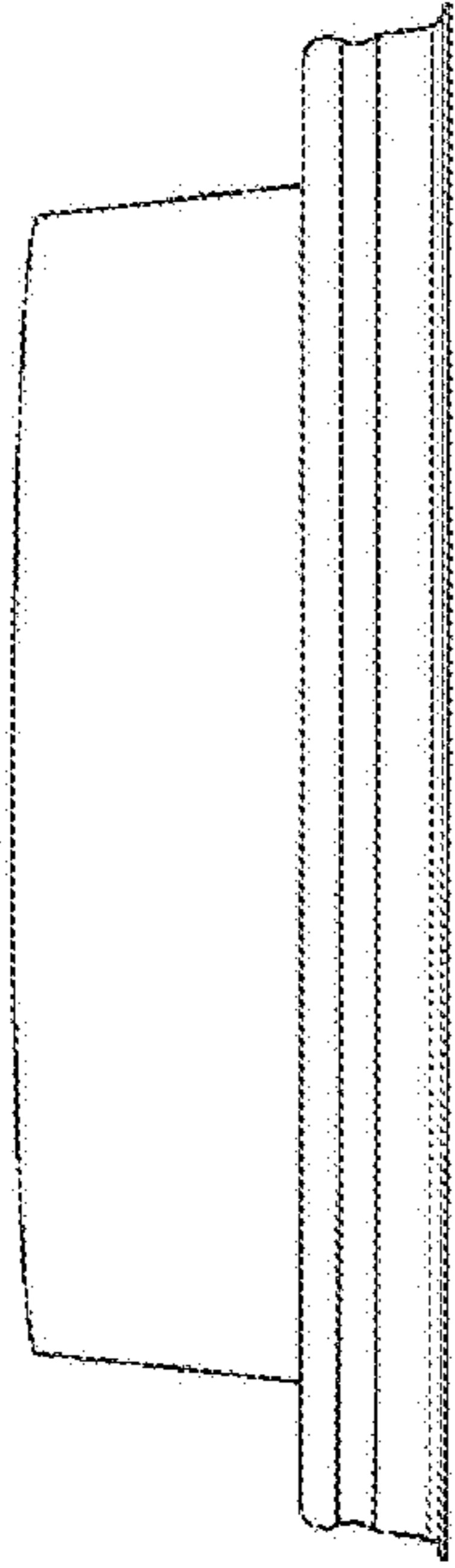


FIG. 21

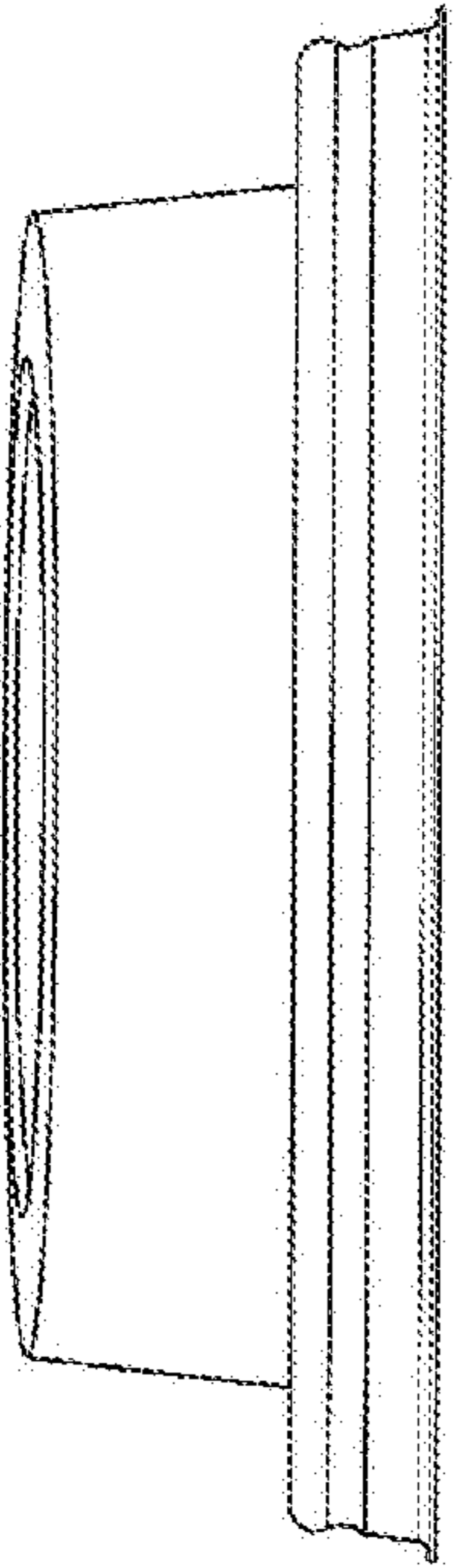


FIG. 20

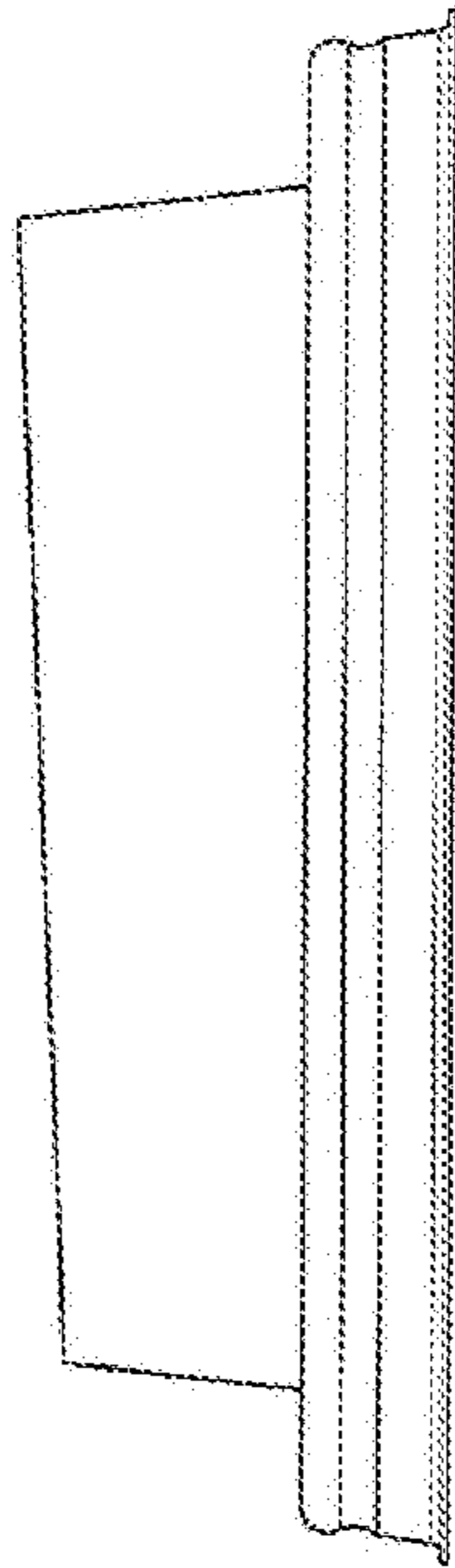


FIG. 22

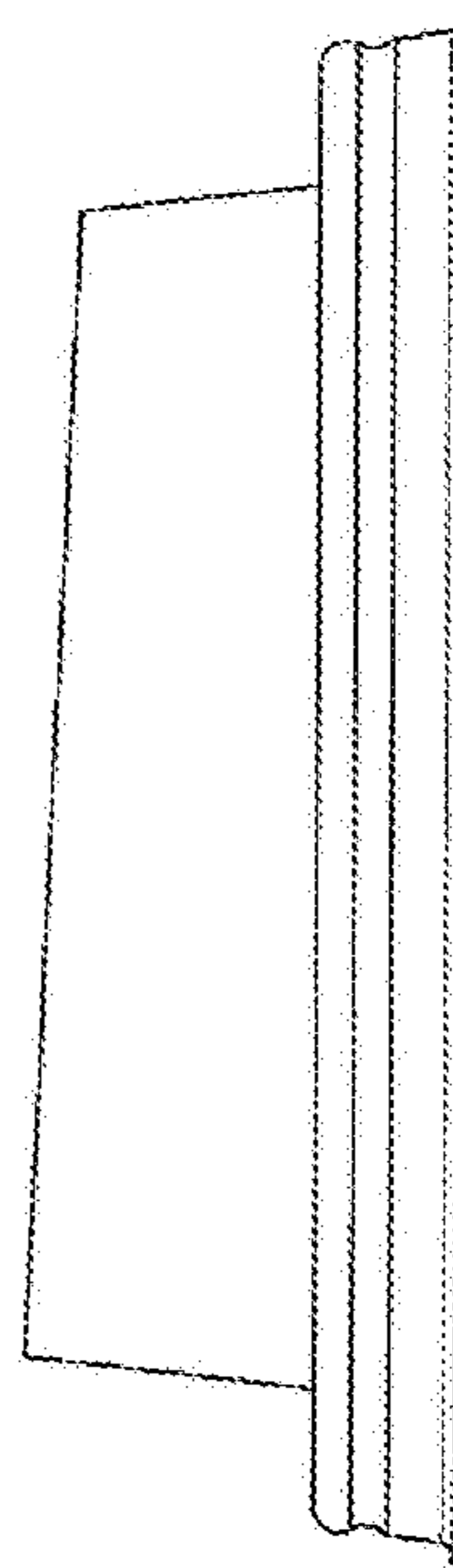


FIG. 23

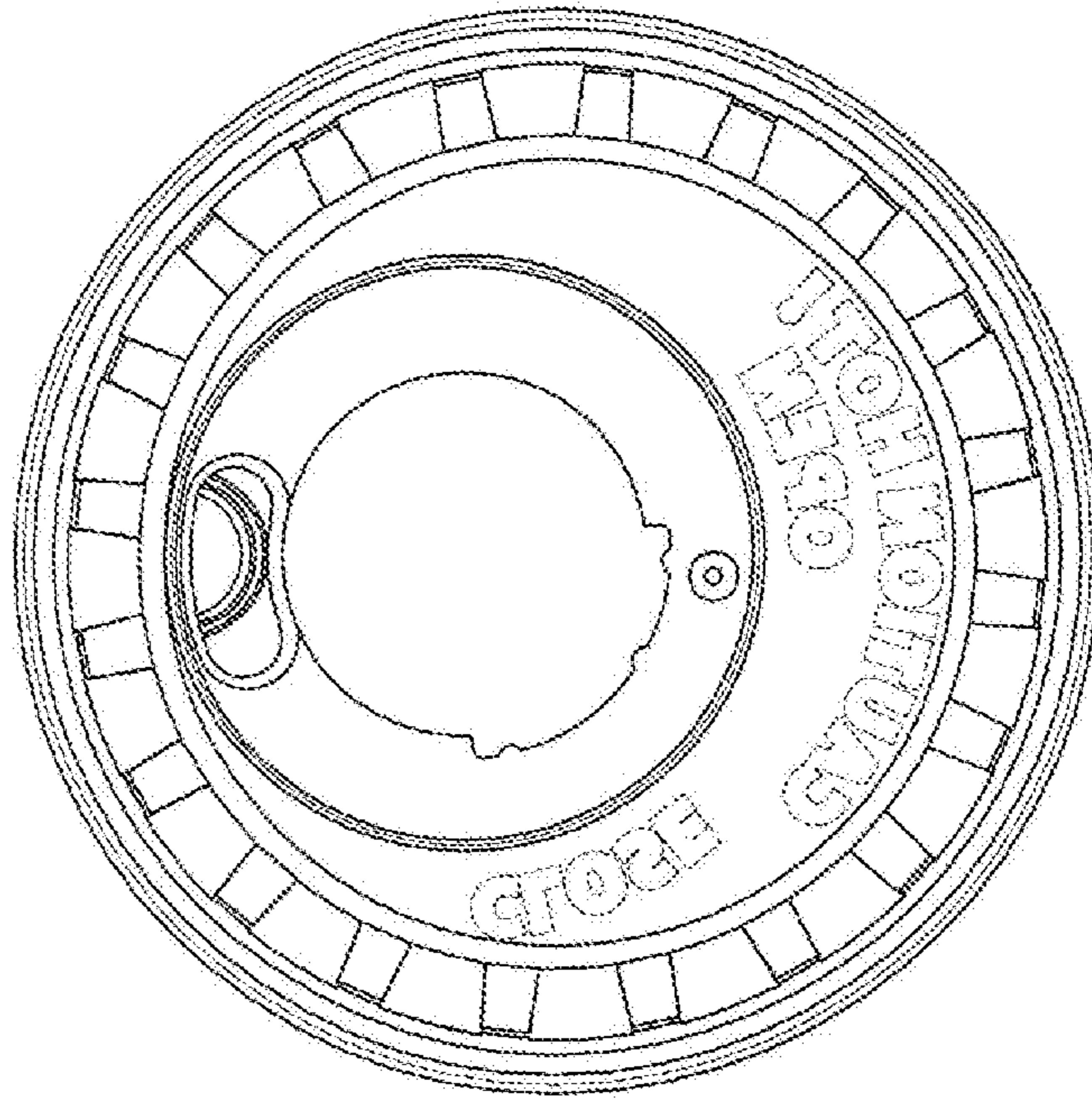


FIG. 24

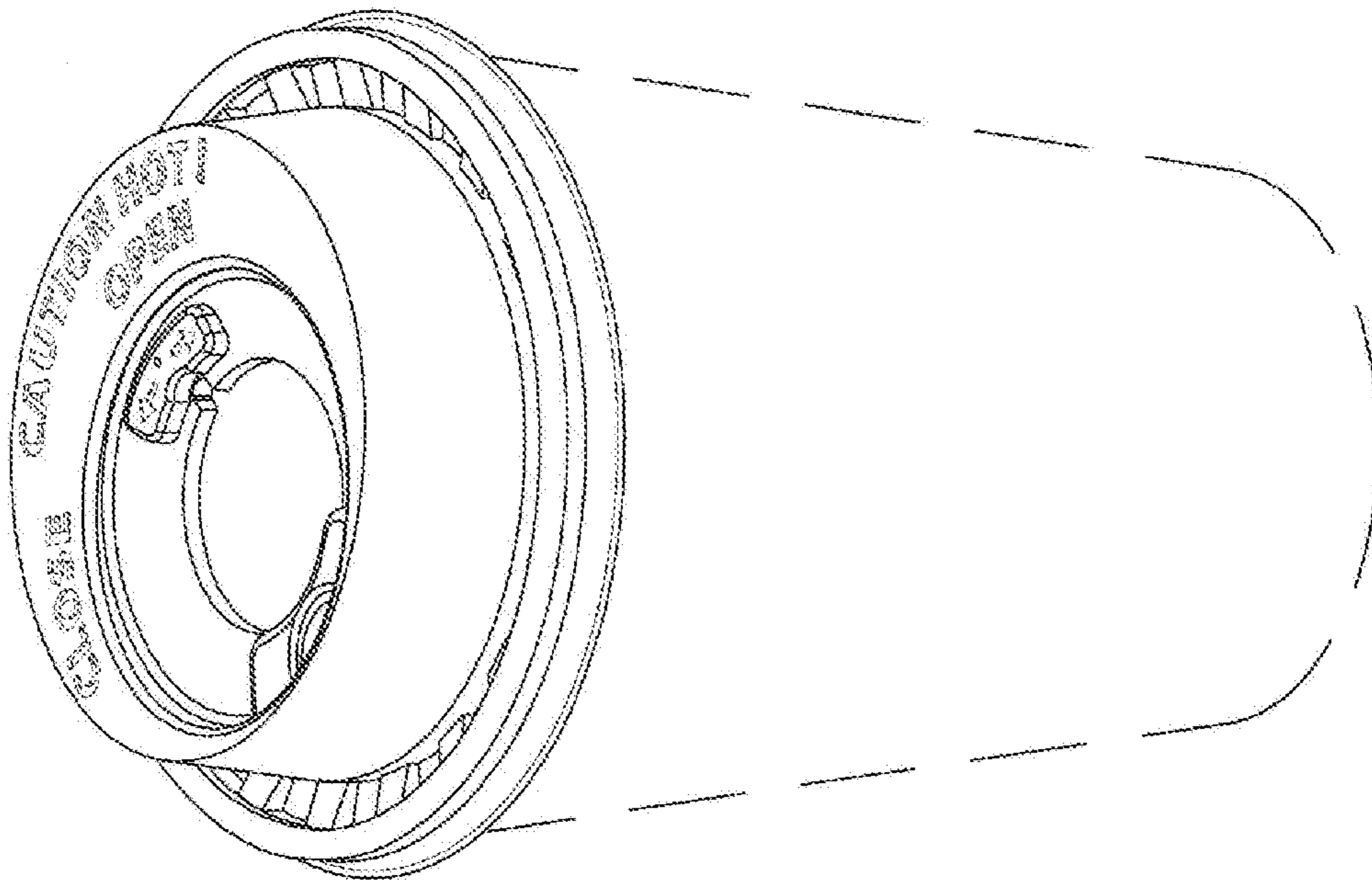


FIG. 25

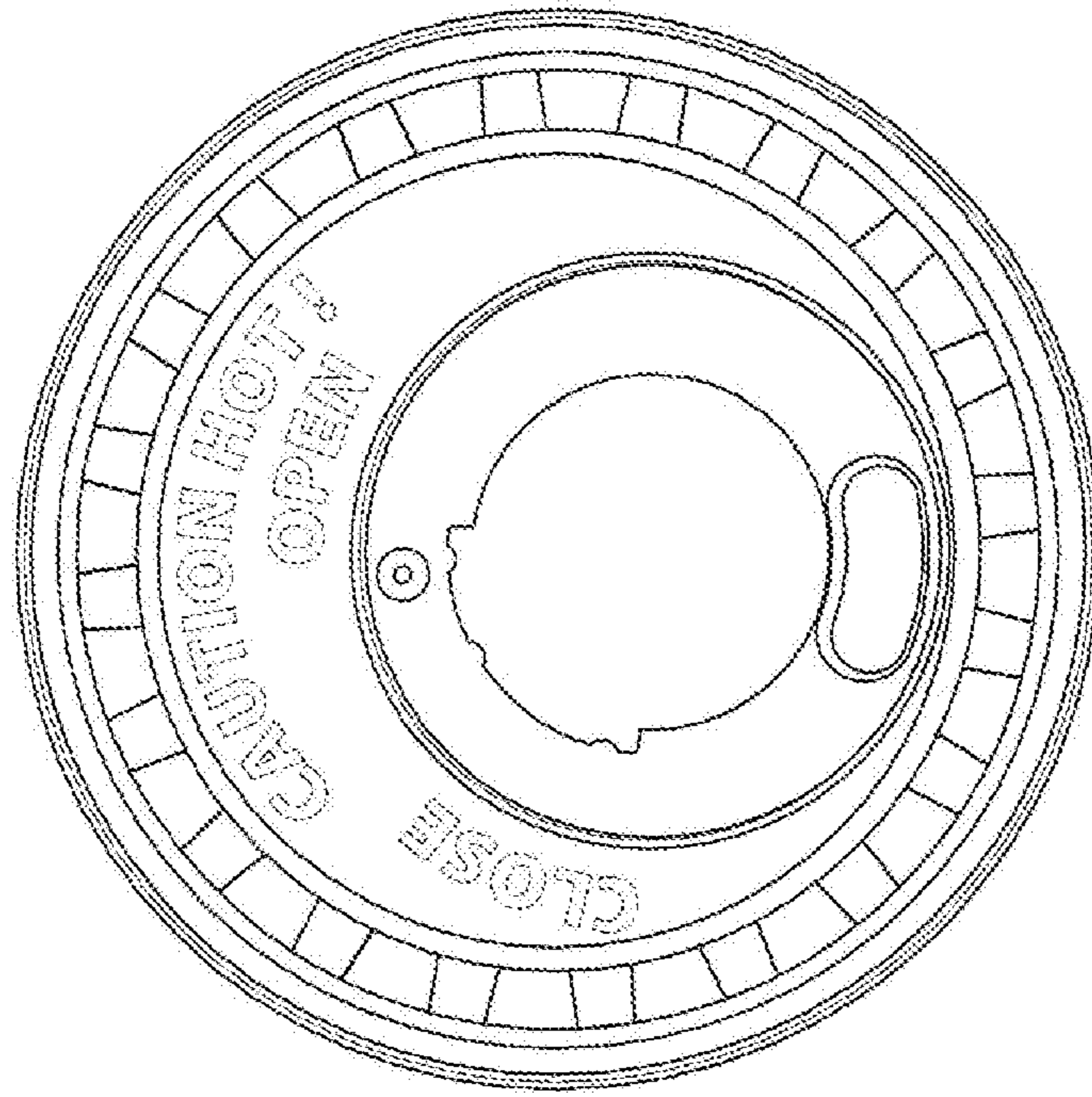


FIG. 27

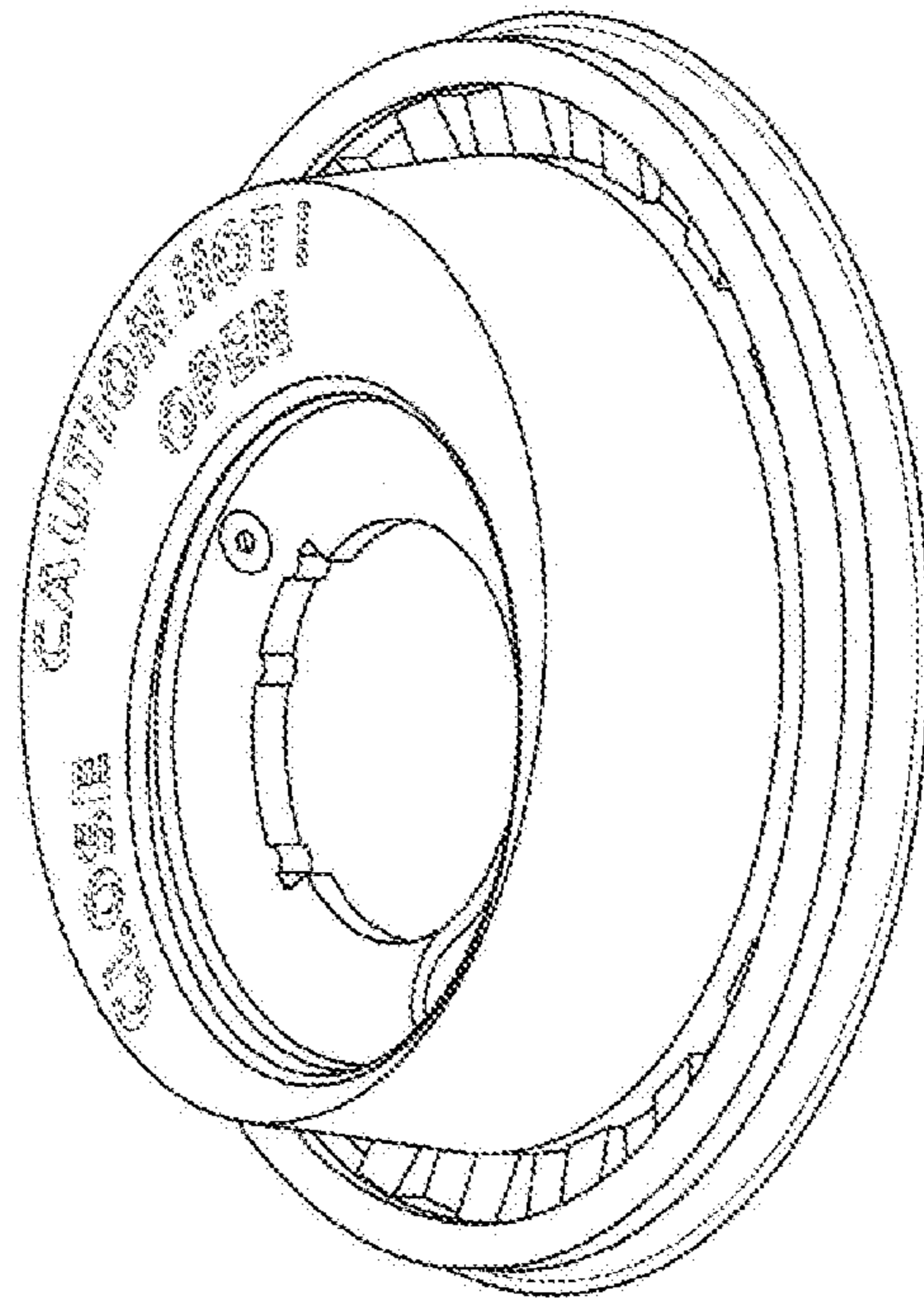


FIG. 26