

US00D867133S

(12) **United States Design Patent** (10) **Patent No.:** **US D867,133 S**  
**Johnson et al.** (45) **Date of Patent:** **\*\* Nov. 19, 2019**

- (54) **HINGED CAP**
- (71) Applicant: **Liqui-Box Corporation**, Richmond, VA (US)
- (72) Inventors: **James Johnson**, Delaware, OH (US); **David Romans**, Fredericktown, OH (US)
- (73) Assignee: **LIQUI-BOX CORPORATION**, Richmond, VA (US)
- (\*\*) Term: **15 Years**
- (21) Appl. No.: **29/595,436**
- (22) Filed: **Feb. 28, 2017**
- (51) **LOC (12) Cl.** ..... **09-07**
- (52) **U.S. Cl.**  
USPC ..... **D9/446; D9/449**
- (58) **Field of Classification Search**  
USPC ..... D7/300, 300.1, 303, 316, 323, 387, 392, D7/392.1, 396.2, 397, 398, 509-511, 566; D9/428, 430, 431, 434-436, 438-440, D9/443-450, 452-454, 499, 549, 574, D9/715, 717-719, 738, 740, 742, 746, D9/763, 778-780; D23/260, 269, 390; D3/202, 203.1, 203.2, 318; D24/224; D28/76, 82, 88  
CPC ..... B65D 2585/545; B65D 47/06; B65D 51/1688  
See application file for complete search history.

- (56) **References Cited**  
U.S. PATENT DOCUMENTS  
D174,205 S \* 3/1955 Ward ..... D9/446  
D193,121 S \* 6/1962 Wickman ..... D9/446  
D234,026 S \* 12/1974 Winter ..... D24/224  
D241,018 S \* 8/1976 Amicls ..... D9/439  
D359,234 S \* 6/1995 Amin ..... D9/428

- D404,646 S \* 1/1999 Black, Sr. .... D9/440
- D574,711 S \* 8/2008 Lederman ..... D9/500
- D634,628 S \* 3/2011 Goto ..... D7/900
- D676,318 S \* 2/2013 MacNeill ..... D9/446
- D680,868 S \* 4/2013 Neumann ..... D9/443
- D721,912 S \* 2/2015 Boroski ..... D7/392.1
- D776,533 S \* 1/2017 Kikel ..... D9/446

**OTHER PUBLICATIONS**

Liqui-Box. Fitments. 2018 [earliest online date], [site visited Apr. 11, 2018]. Available from Internet, <URL:https://www.liquibox.com/products/fitments/>. (Year: 2018).\*

Alteriet. Bag in Box Wine Packaging—20 Great Looking Boxed Wines. Jul. 13, 2016 [earliest online date], [site visited Apr. 11, 2018]. Available from Internet, <URL:https://www.ateriet.com/bag-in-box-wine-packaging/>. (Year: 2016).\*

\* cited by examiner

*Primary Examiner* — George D. Kirschbaum  
*Assistant Examiner* — Darcey E Gottschalk  
 (74) *Attorney, Agent, or Firm* — BakerHostetler

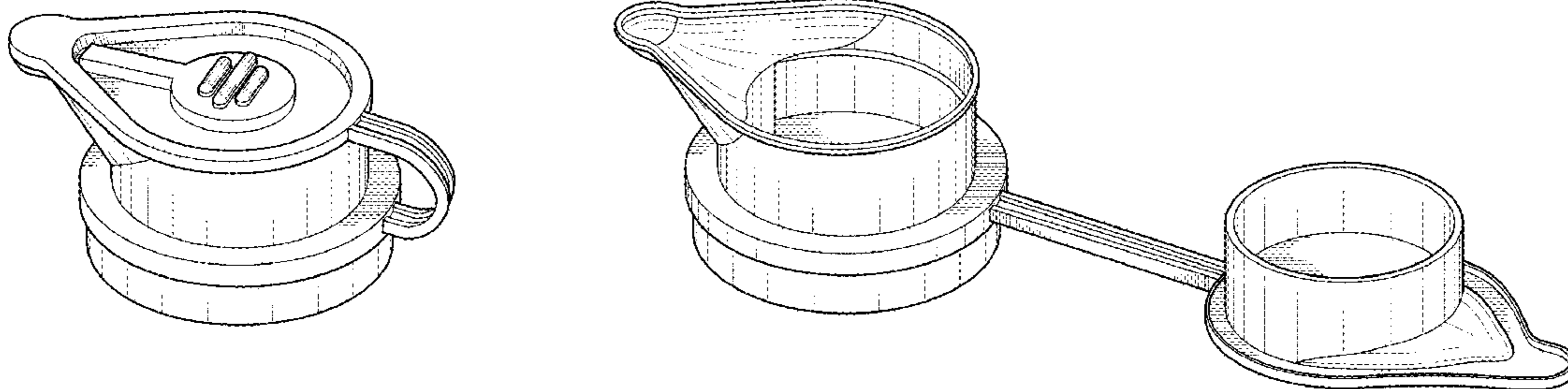
(57) **CLAIM**

We claim the ornamental design for a hinged cap, as shown and described.

**DESCRIPTION**

FIG. 1 is a perspective view of a hinged cap.  
 FIG. 2 is a front view of the hinged cap.  
 FIG. 3 is a side view of the hinged cap.  
 FIG. 4 is a back view of the hinged cap.  
 FIG. 5 is a top view of the hinged cap.  
 FIG. 6 is a bottom view of the hinged cap; and,  
 FIG. 7 is a perspective view of the hinged cap in its open position.  
 In the drawings, the broken line showing of a hinged cap depicts environment and forms no part of the claim.

**1 Claim, 7 Drawing Sheets**



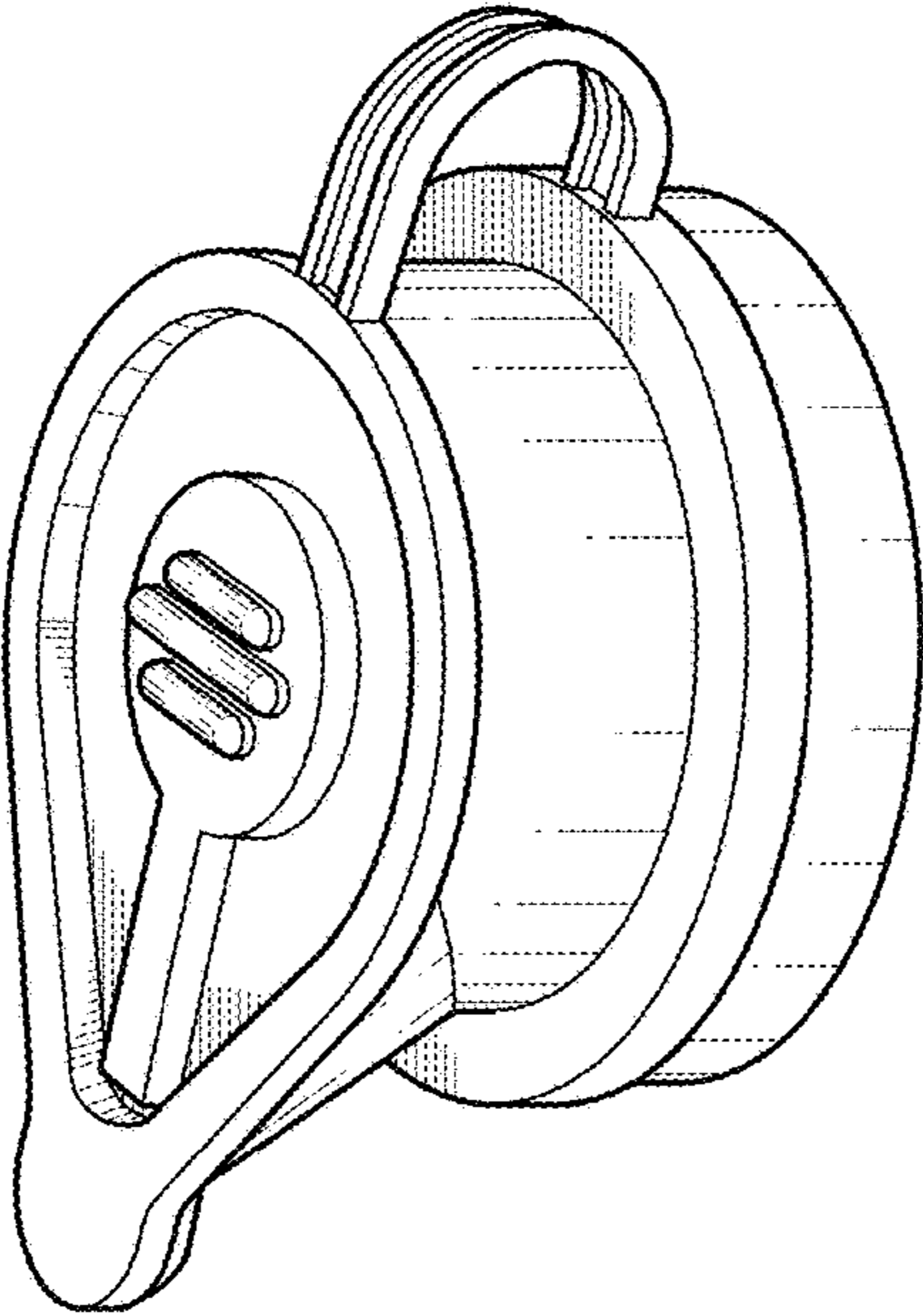


FIG. 1

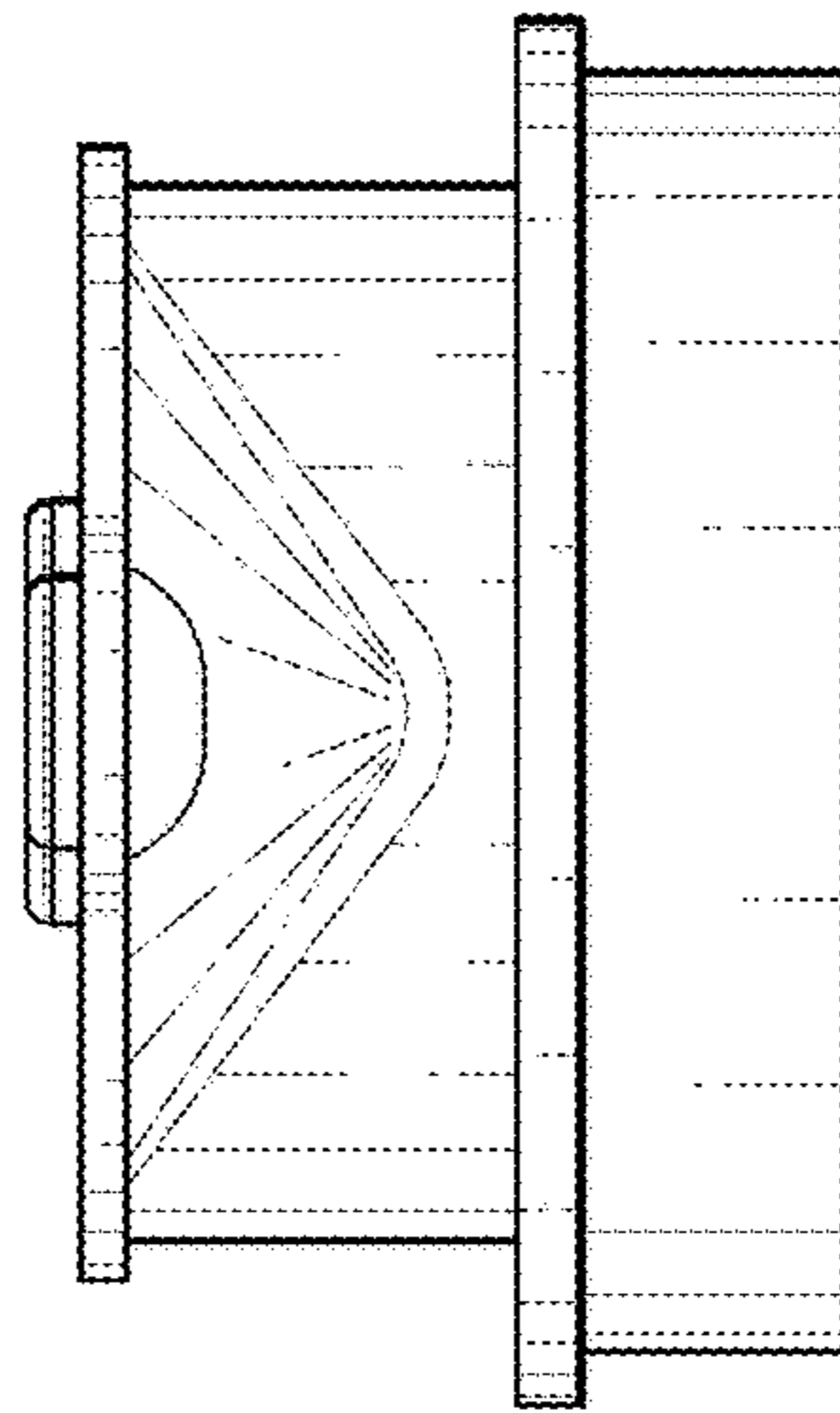


FIG. 2

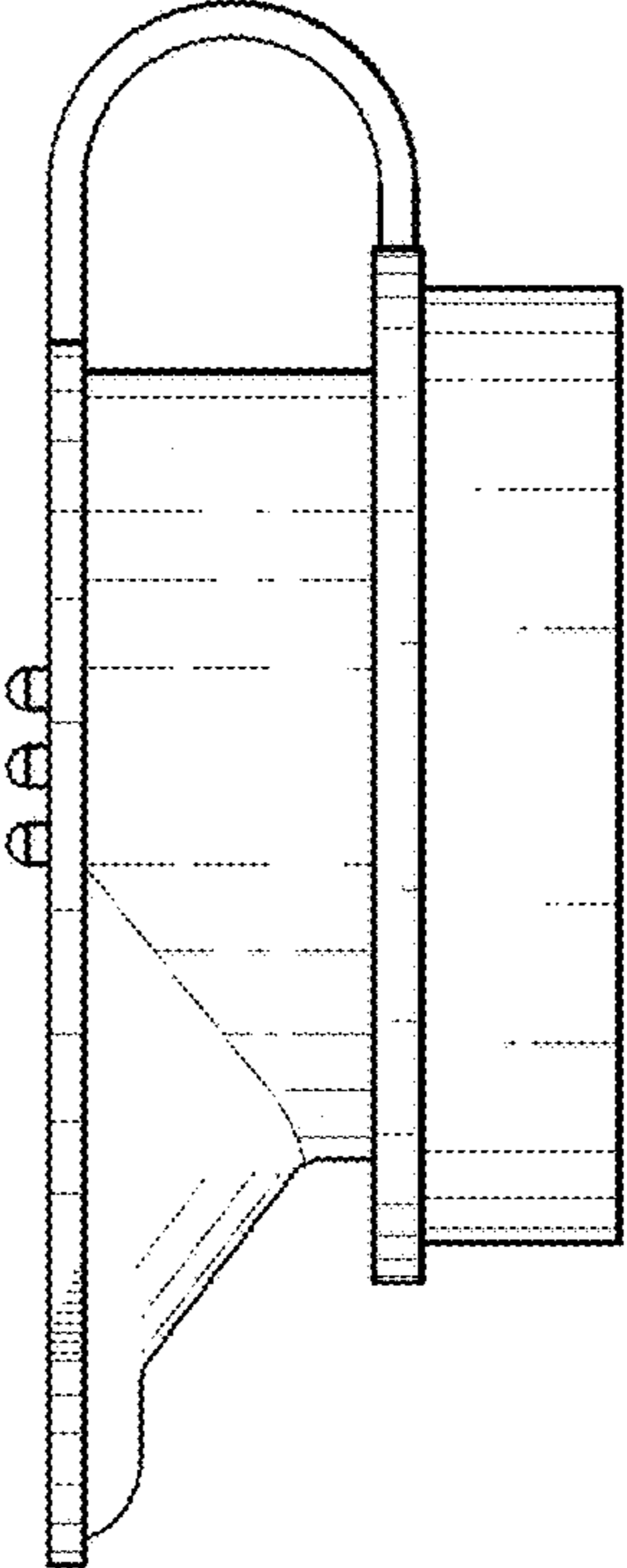


FIG. 3

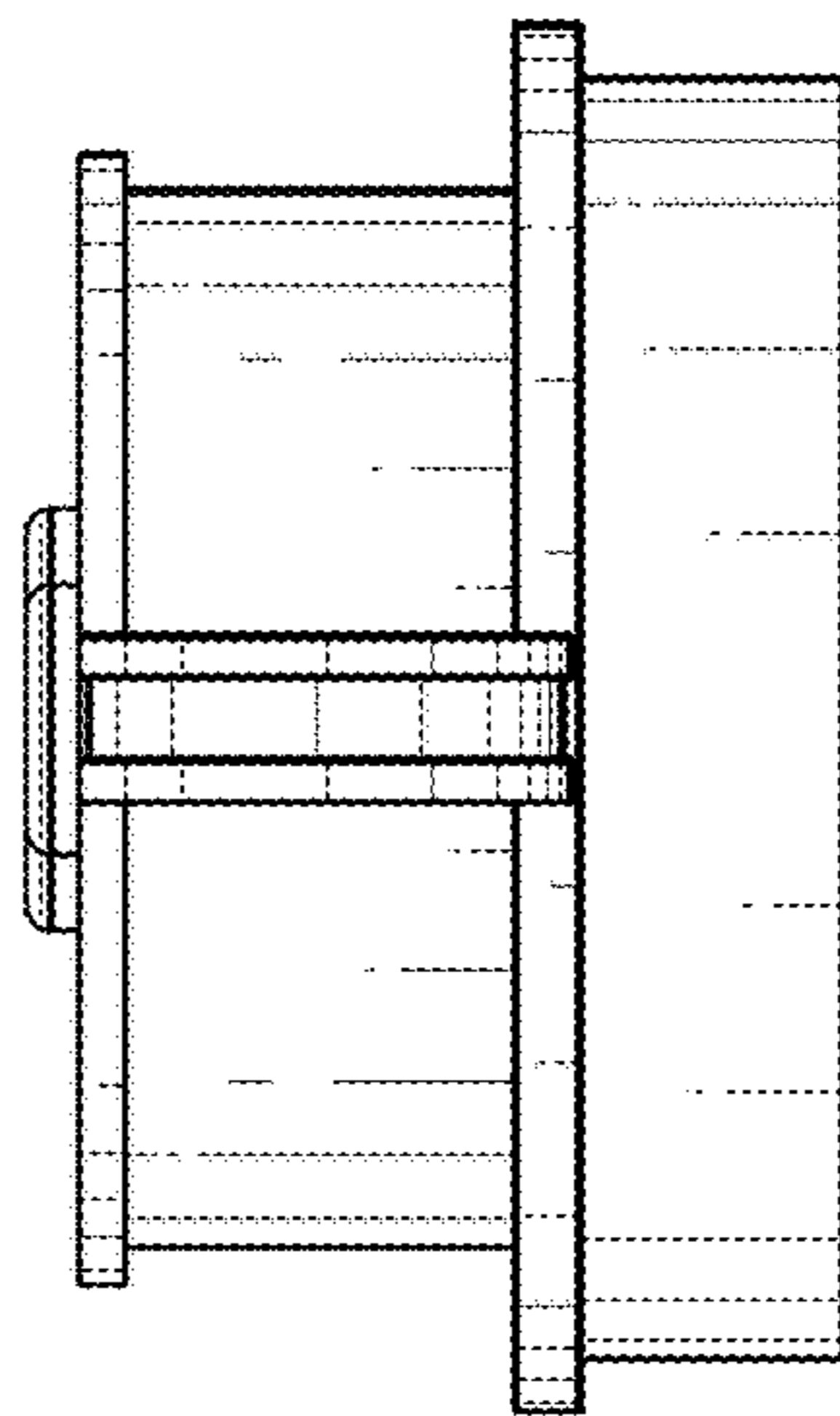


FIG. 4

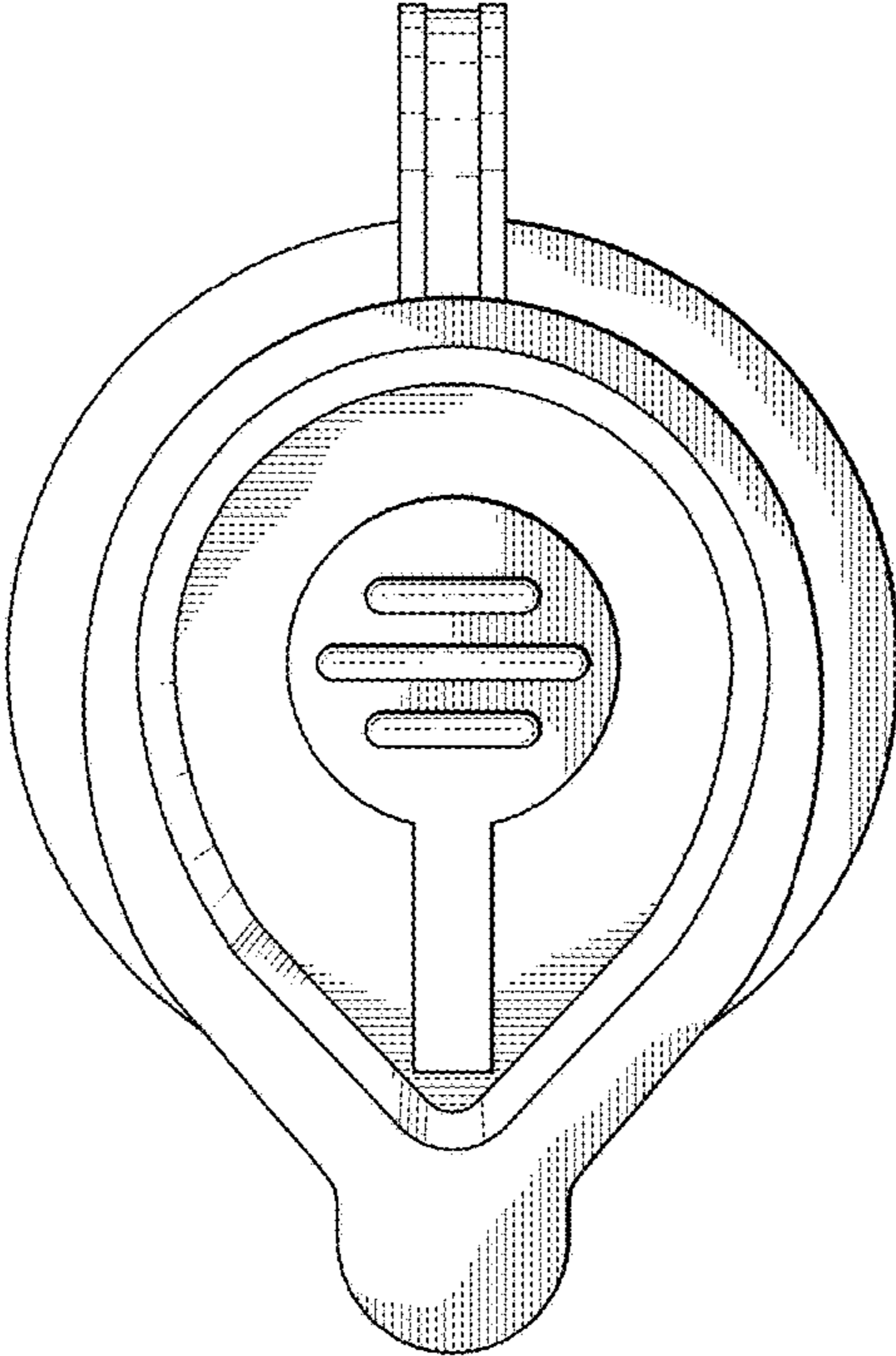


FIG. 5

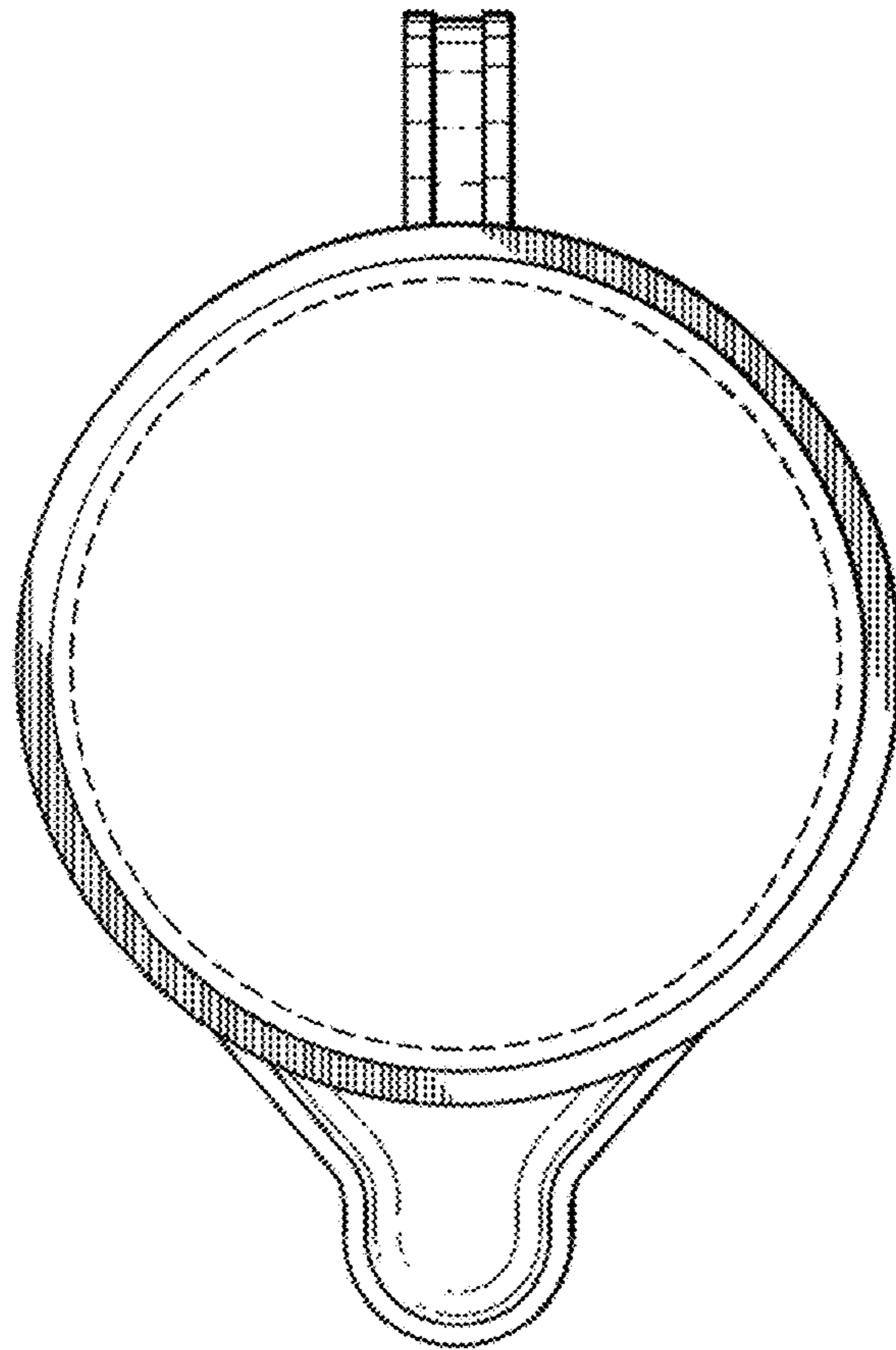


FIG. 6

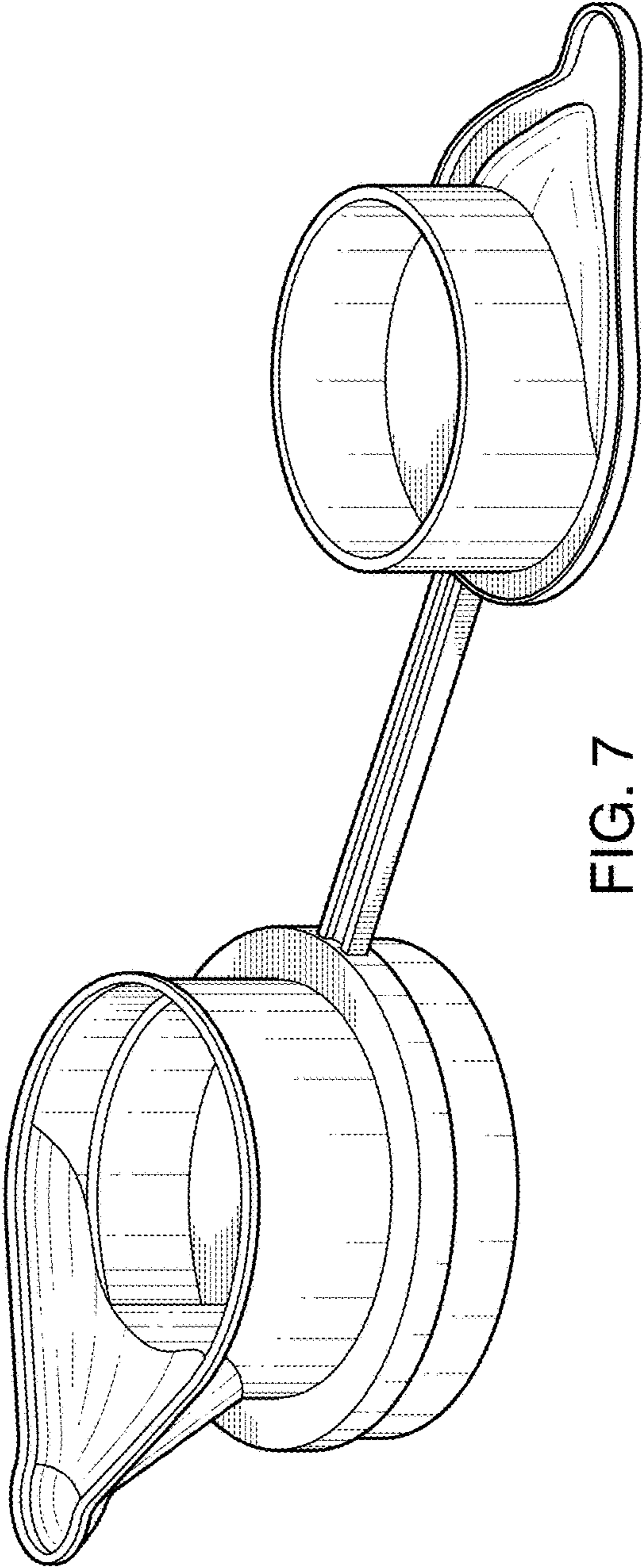


FIG. 7