



US00D867132S

(12) **United States Design Patent** (10) **Patent No.:** **US D867,132 S**
Callaars (45) **Date of Patent:** **** Nov. 19, 2019**

(54) **BOTTLE STOPPER**
 (71) Applicant: **Gerry P. M. Callaars**, Salernes (FR)
 (72) Inventor: **Gerry P. M. Callaars**, Salernes (FR)
 (**) Term: **15 Years**
 (21) Appl. No.: **29/625,058**
 (22) Filed: **Nov. 7, 2017**
 (51) **LOC (12) Cl.** **09-07**
 (52) **U.S. Cl.**
 USPC **D9/439**
 (58) **Field of Classification Search**
 USPC D7/392, 392.1, 396.1, 396.2, 397, 398;
 D9/434-436, 439, 443, 447, 449, 454,
 D9/499
 CPC B65D 39/00; B65D 39/08; B65D 39/12;
 B65D 39/02
 See application file for complete search history.

D495,599 S * 9/2004 Biesecker D7/391
 D549,577 S * 8/2007 Schactner et al.
 D580,756 S * 11/2008 Seebold
 D631,285 S * 1/2011 Smiedt D7/392.1
 D680,430 S * 4/2013 Nickel D9/436
 D708,473 S * 7/2014 Tavenner D7/392.1
 D708,474 S * 7/2014 Liebowitz D7/392.1
 D712,199 S * 9/2014 Borden B01F 5/0428
 D7/397
 D780,574 S * 3/2017 Seeuwen D9/439
 D795,063 S * 8/2017 Arriaga D9/436
 D815,524 S * 4/2018 Seeuwen D9/439
 D826,046 S * 8/2018 Niles D9/439

OTHER PUBLICATIONS

Oddity Mall. Baby Pacifier Bottle Opener. Aug. 18, 2014. <URL:https://
 odditymall.com/baby-pacifier-bottle-opener>. (Year: 2014).*

* cited by examiner

Primary Examiner — George D. Kirschbaum
Assistant Examiner — Darcey E Gottschalk
 (74) *Attorney, Agent, or Firm* — Louis Ventre, Jr.

(56) **References Cited**

U.S. PATENT DOCUMENTS

D28,636 S * 5/1898 Tappan D9/454
 D32,085 S * 1/1900 Estes D9/439
 D40,033 S * 6/1909 Horlick, Jr. D9/439
 D48,994 S * 5/1916 Sutter D9/436
 D104,584 S 5/1937 Samstag
 D168,190 S 11/1952 Robinson
 D179,331 S 11/1956 Terwilliger
 D240,021 S 5/1976 Lawhead
 D296,524 S 7/1988 Schneider
 D297,120 S 8/1988 Miskinis
 D404,647 S 1/1999 Federighi
 D422,214 S 4/2000 Hollinger
 D429,641 S * 8/2000 Horan D9/439
 D476,231 S * 6/2003 Paquette D24/194

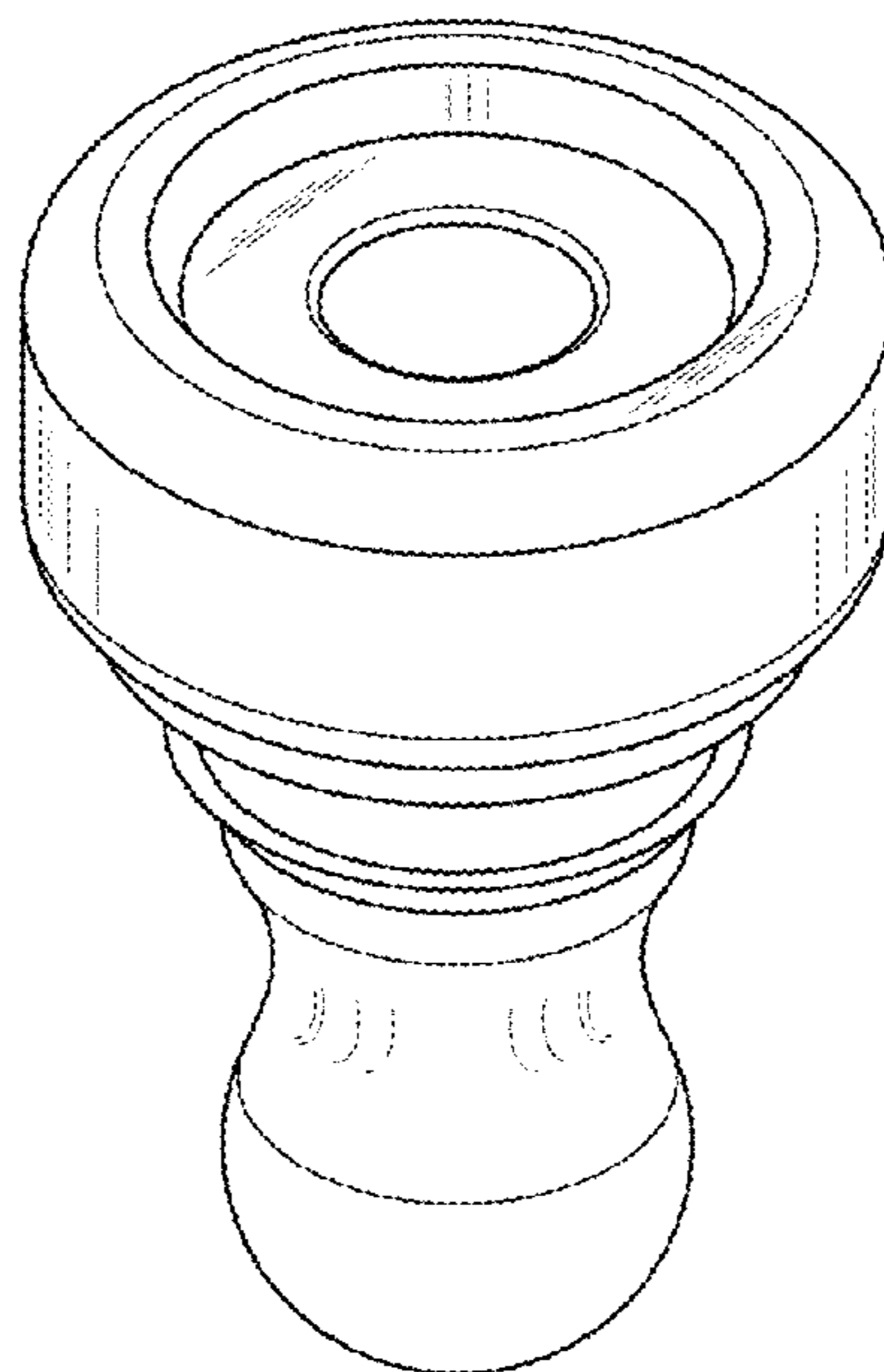
(57) **CLAIM**

The ornamental design for a bottle stopper, as shown and described in the drawings.

DESCRIPTION

FIG. 1 is a top perspective view of a bottle stopper showing my new design;
 FIG. 2 is a front elevation view thereof, the rear, left and right side being a mirror image of the front side;
 FIG. 3 is a bottom view of thereof; and,
 FIG. 4 is a top view thereof.

1 Claim, 2 Drawing Sheets



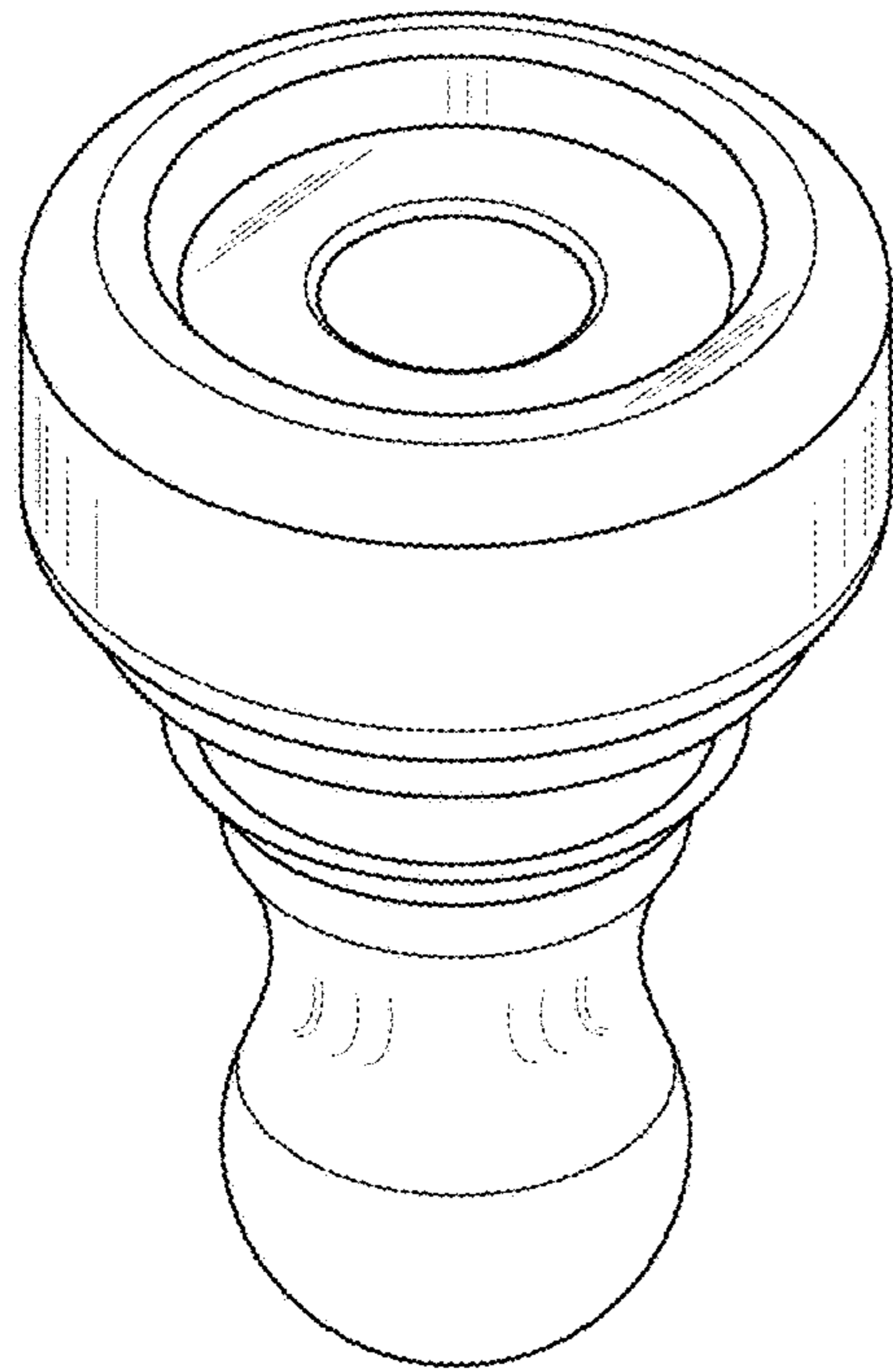


FIG.1

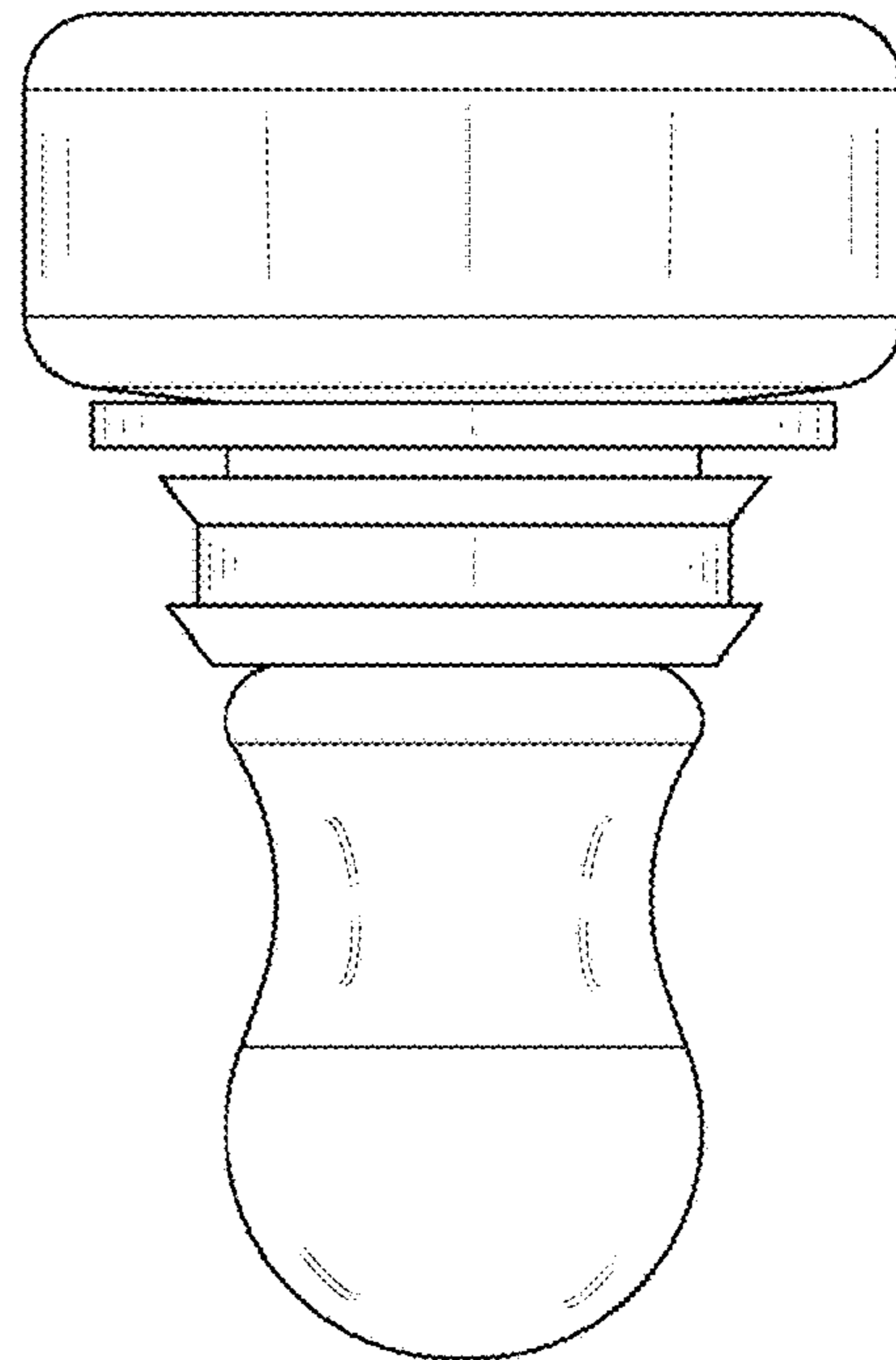


FIG.2

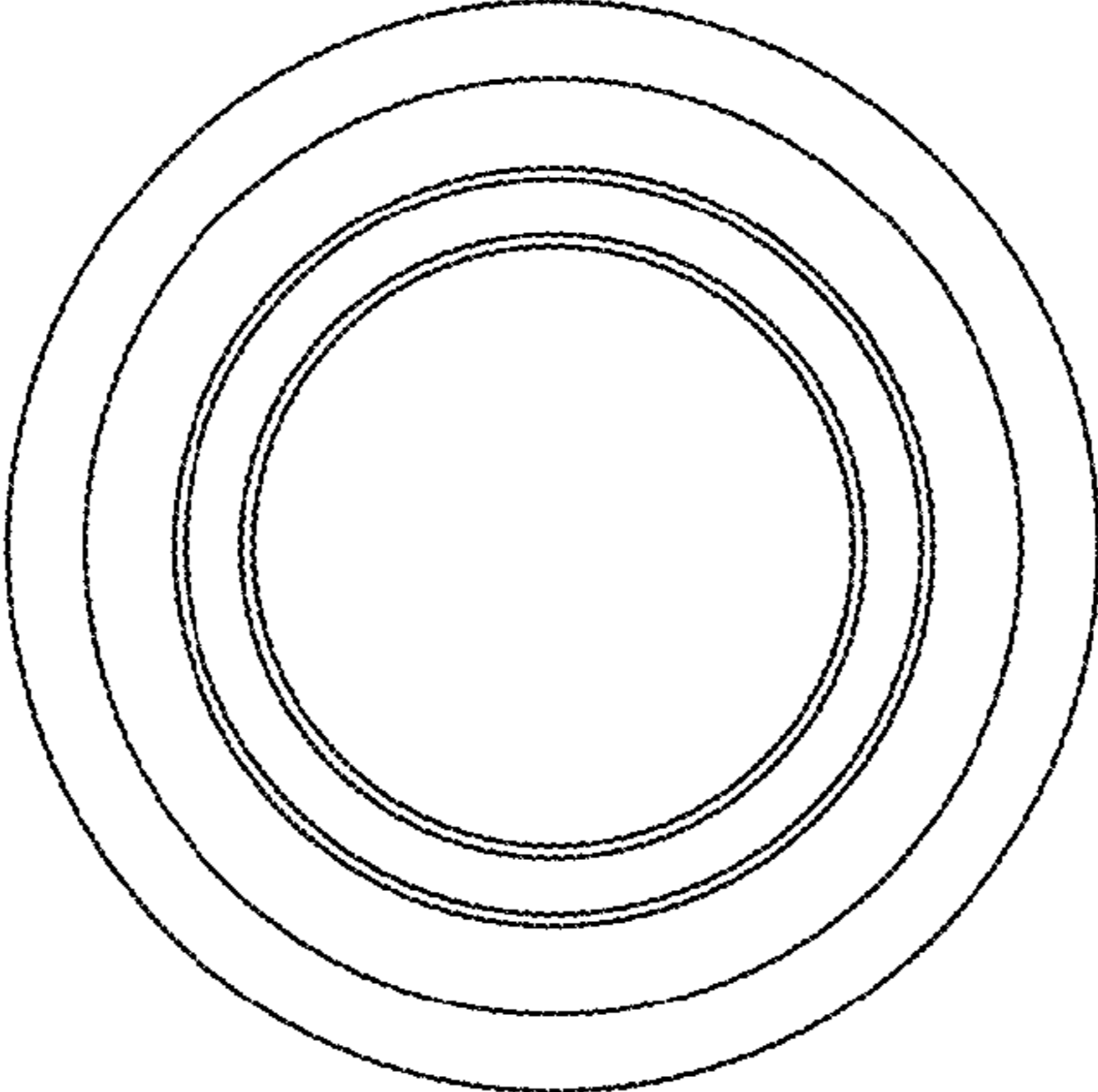


FIG.3

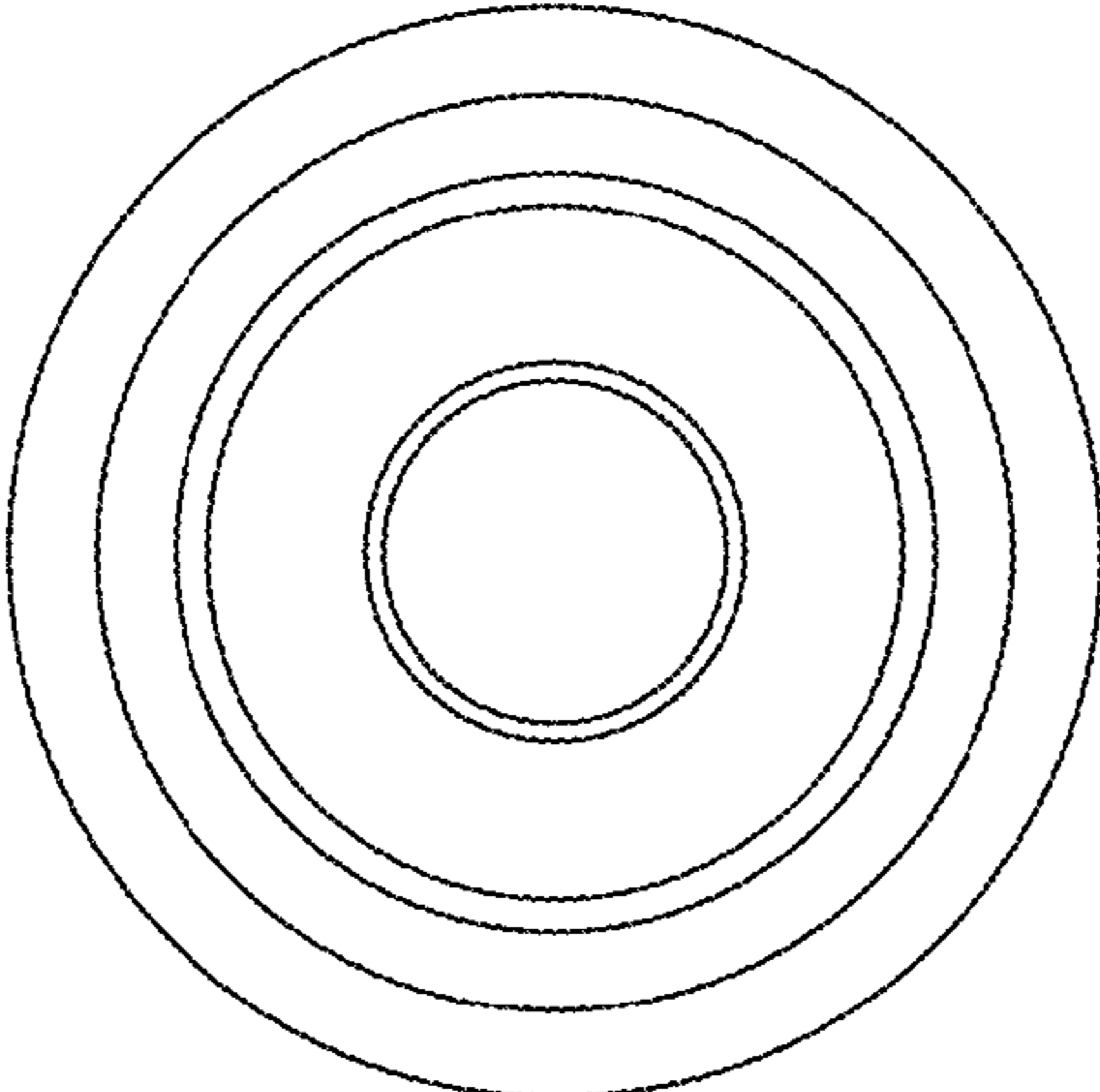


FIG.4