



US00D867129S

(12) **United States Design Patent**  
**Chambers et al.**

(10) **Patent No.:** **US D867,129 S**

(45) **Date of Patent:** **\*\* Nov. 19, 2019**

(54) **LOCKING PACKAGING CONTAINER**

(71) Applicant: **All Packaging Company**, Aurora, CO (US)

(72) Inventors: **Christopher Chambers**, Aurora, CO (US); **Eric Gilger**, Aurora, CO (US)

(73) Assignee: **All Packaging Company**, Aurora, CO (US)

(\*\*) Term: **15 Years**

(21) Appl. No.: **29/600,623**

(22) Filed: **Apr. 13, 2017**

**Related U.S. Application Data**

(63) Continuation-in-part of application No. 29/561,291, filed on Apr. 14, 2016, now Pat. No. Des. 798,708.

(51) **LOC (12) Cl.** ..... **09-03**

(52) **U.S. Cl.**  
USPC ..... **D9/432**

(58) **Field of Classification Search**  
USPC ..... D9/414–434, 442–445, 456, 457, 542, D9/563, 600, 614–624, 648, 655, 657,  
(Continued)

(56) **References Cited**

**U.S. PATENT DOCUMENTS**

3,648,918 A \* 3/1972 Van Inwagen ..... B65D 5/38  
229/125.125

D625,598 S \* 10/2010 Ruth ..... D9/423  
(Continued)

**OTHER PUBLICATIONS**

Creative Imitation Envelope Paper Stocking Pantyhose Packaging Box. Online, published date unknown. Retrieved on Mar. 23, 2018 from URL: [https://www.alibaba.com/product-detail/Creative-Imitation-Envelope-Paper-Stocking-Pantyhose\\_60617155995.html](https://www.alibaba.com/product-detail/Creative-Imitation-Envelope-Paper-Stocking-Pantyhose_60617155995.html).\*

(Continued)

*Primary Examiner* — Garth Rademaker

*Assistant Examiner* — Omeed Agilee

(74) *Attorney, Agent, or Firm* — Holland & Hart LLP

(57) **CLAIM**

We claim the ornamental design for a locking packaging container, as shown and described.

**DESCRIPTION**

FIG. 1 is a perspective view of a first embodiment of a locking packaging container in an open configuration, showing our new design;

FIG. 2 is a front view of the first embodiment of a locking packaging container in an open configuration;

FIG. 3 is a rear view of the first embodiment of a locking packaging container in an open configuration;

FIG. 4 is a right view of the first embodiment of a locking packaging container in an open configuration;

FIG. 5 is a left view of the first embodiment of a locking packaging container in an open configuration;

FIG. 6 is a top view of the first embodiment of a locking packaging container in an open configuration;

FIG. 7 is a bottom view of the first embodiment of a locking packaging container in an open configuration;

FIG. 8 is a perspective view of the first embodiment of a locking packaging container in a closed configuration;

FIG. 9 is a front view of the first embodiment of a locking packaging container in a closed configuration;

FIG. 10 is a rear view of the first embodiment of a locking packaging container in a closed configuration;

FIG. 11 is a right view of the first embodiment of a locking packaging container in a closed configuration;

FIG. 12 is a left view of the first embodiment of a locking packaging container in a closed configuration;

FIG. 13 is a top view of the first embodiment of a locking packaging container in a closed configuration;

FIG. 14 is a bottom view of the first embodiment of a locking packaging container in a closed configuration;

FIG. 15 is a perspective view of a second embodiment of a locking packaging container in an open configuration;

(Continued)

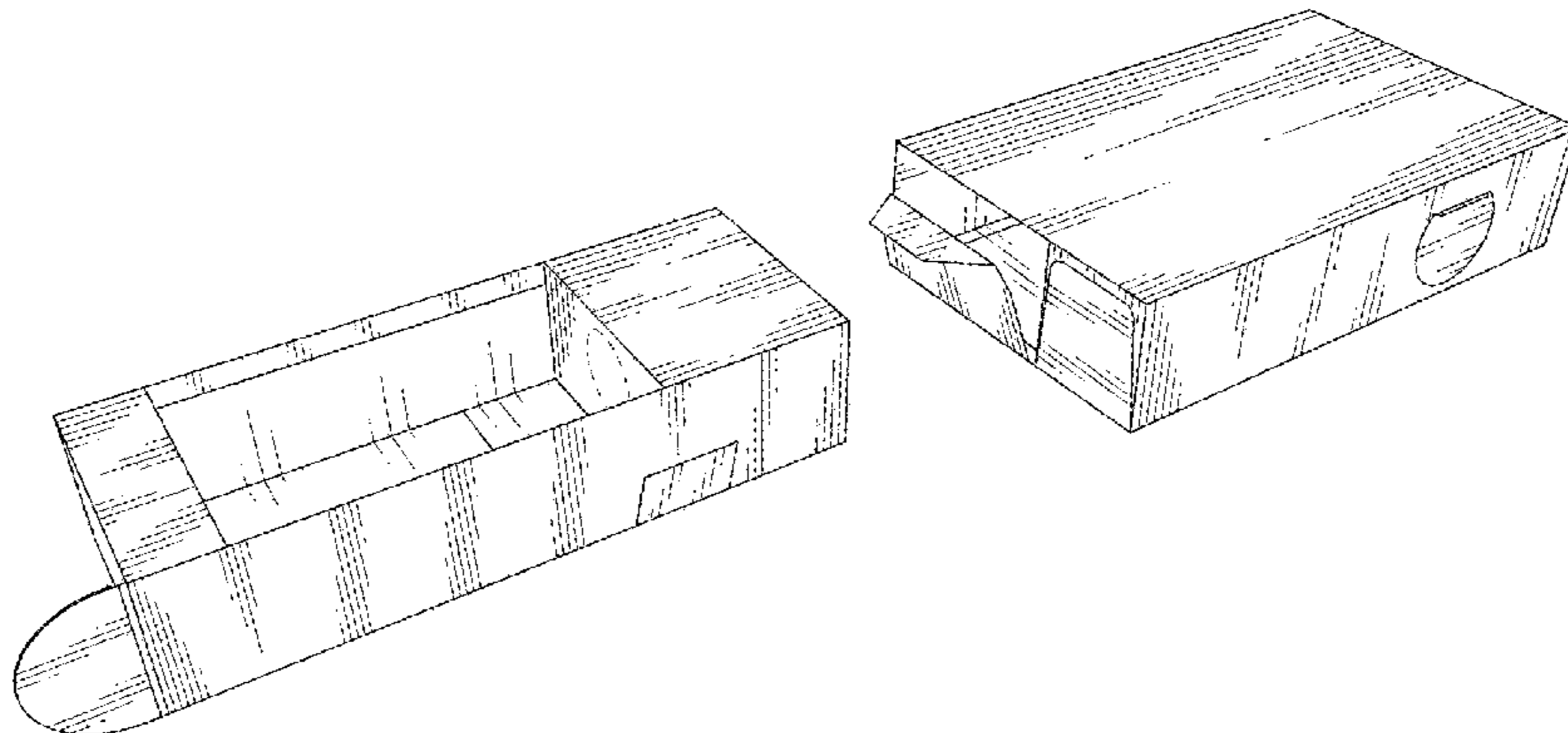


FIG. 16 is a front view of the second embodiment of a locking packaging container in an open configuration;  
 FIG. 17 is a rear view of the second embodiment of a locking packaging container in an open configuration;  
 FIG. 18 is a right view of the second embodiment of a locking packaging container in an open configuration;  
 FIG. 19 is a left view of the second embodiment of a locking packaging container in an open configuration;  
 FIG. 20 is a top view of the second embodiment of a locking packaging container in an open configuration;  
 FIG. 21 is a bottom view of the second embodiment of a locking packaging container in an open configuration;  
 FIG. 22 is a perspective view of the second embodiment of a locking packaging container in a closed configuration;  
 FIG. 23 is a front view of the second embodiment of a locking packaging container in a closed configuration;  
 FIG. 24 is a rear view of the second embodiment of a locking packaging container in a closed configuration;  
 FIG. 25 is a right view of the second embodiment of a locking packaging container in a closed configuration;  
 FIG. 26 is a left view of the second embodiment of a locking packaging container in a closed configuration;  
 FIG. 27 is a top view of the second embodiment of a locking packaging container in a closed configuration; and,  
 FIG. 28 is a bottom view of the second embodiment of a locking packaging container in a closed configuration.  
 The evenly spaced broken lines depict portions of the locking packaging container that form no part of the claimed design.

**1 Claim, 16 Drawing Sheets**

(58) **Field of Classification Search**  
 USPC ..... D9/658, 661, 685, 696, 697-699, 707,  
 D9/711, 754, 759, 772-776; D7/601,  
 D7/602, 709; D3/273, 276, 304, 309-313

CPC ..... B65D 5/00; B65D 5/001; B65D 5/0015;  
 B65D 5/0227-0254; B65D 5/18; B65D  
 5/38; B65D 5/40; B65D 5/2033; B65D  
 5/48024; B65D 5/6605; B65D 1/22;  
 B65D 1/24; B65D 1/34; B65B 5/06  
 See application file for complete search history.

(56) **References Cited**

U.S. PATENT DOCUMENTS

D650,270	S *	12/2011	Cluett	D9/430
D724,601	S *	3/2015	Hsieh	D14/480.3
D730,173	S *	5/2015	Barad	D9/422
D747,190	S *	1/2016	DeLaGrange	D9/432
9,682,793	B2 *	6/2017	Magnusson	B65D 5/38
D798,708	S *	10/2017	Chambers	D9/432
2004/0099565	A1 *	5/2004	Dehlin	B65D 5/38 206/536
2006/0037876	A1 *	2/2006	Fath	B65B 19/14 206/271
2007/0181458	A1 *	8/2007	Ehrlund	B65D 5/38 206/528
2007/0251983	A1 *	11/2007	Freeze	A61J 7/0069 229/125.125
2009/0255832	A1 *	10/2009	Bentele	B65D 5/38 206/1.5
2010/0236957	A1 *	9/2010	Dehlin	B65D 5/38 206/438
2015/0203242	A1 *	7/2015	Magnusson	B65D 5/5213 53/492
2016/0114965	A1 *	4/2016	Huang	B65D 85/30 206/472
2017/0217658	A1 *	8/2017	Whitehurst	B65D 5/38
2017/0297803	A1 *	10/2017	Chambers	B65D 5/0254
2018/0072452	A1 *	3/2018	Chambers	B65D 5/2057

OTHER PUBLICATIONS

All Packaging Company. Online, published date Oct. 10, 2017.  
 Retrieved on Mar. 23, 2018 from URL: <https://www.youtube.com/watch?v=vkHTTZIu0oA>.\*

\* cited by examiner

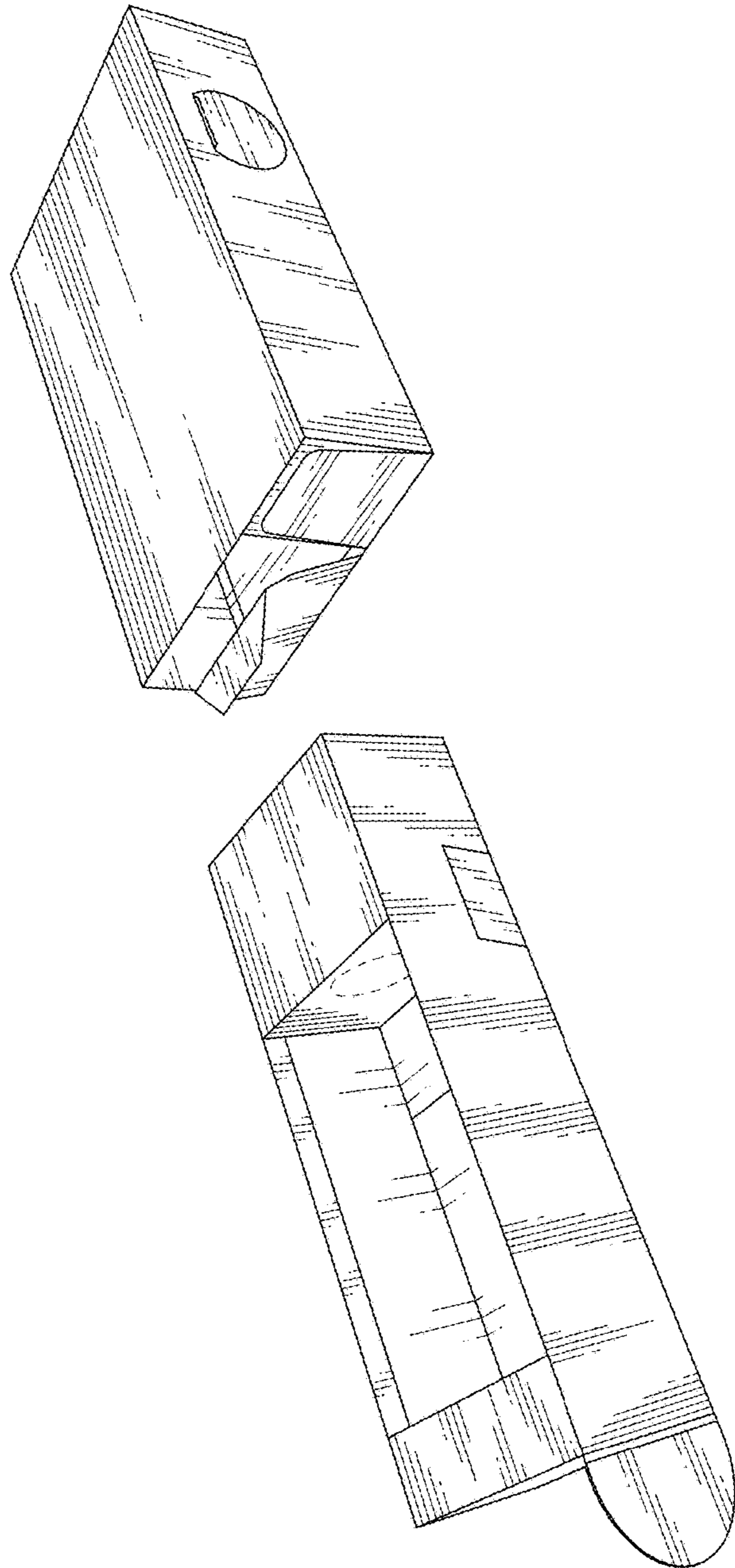


FIG. 1

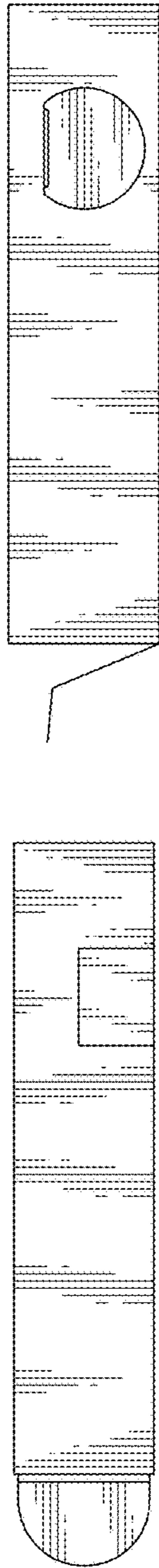


FIG. 2

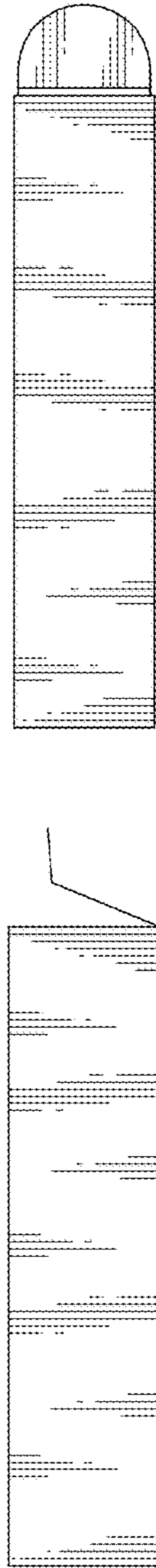


FIG. 3

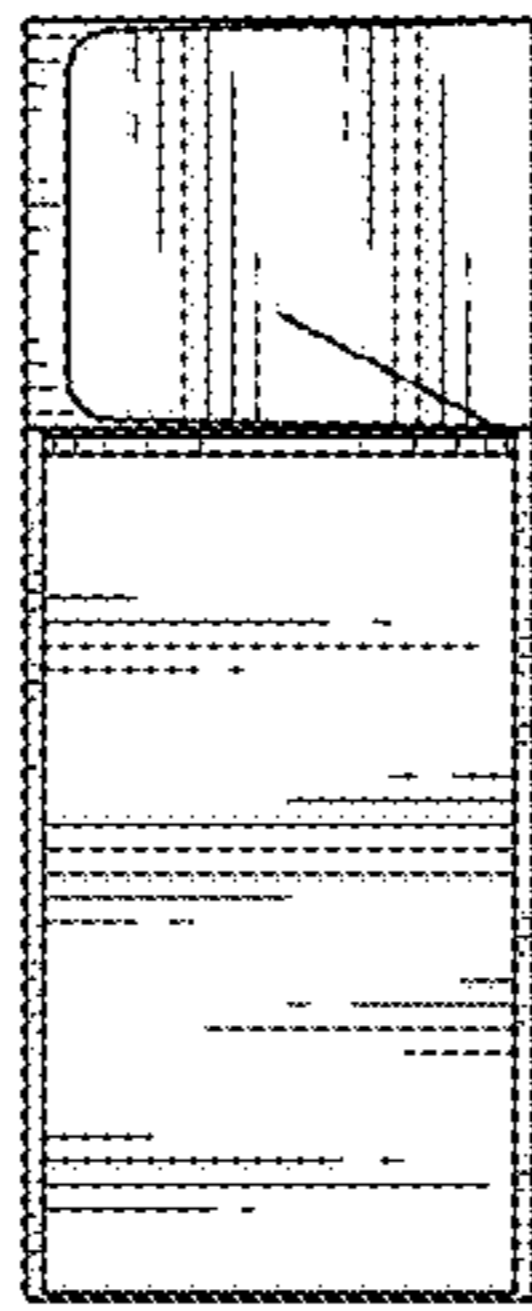


FIG. 5

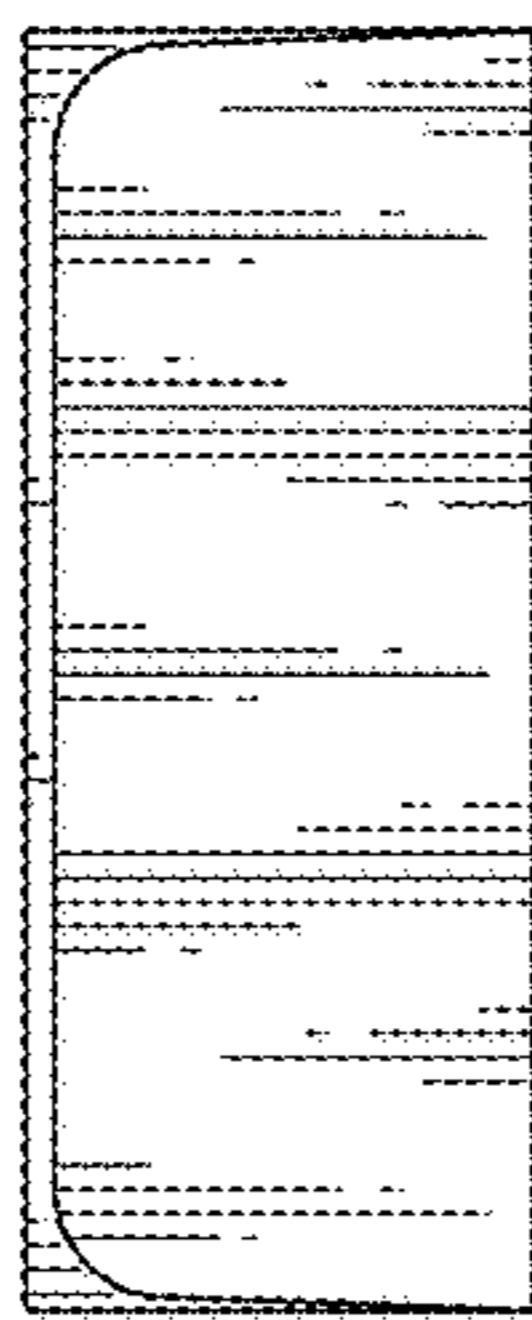


FIG. 4

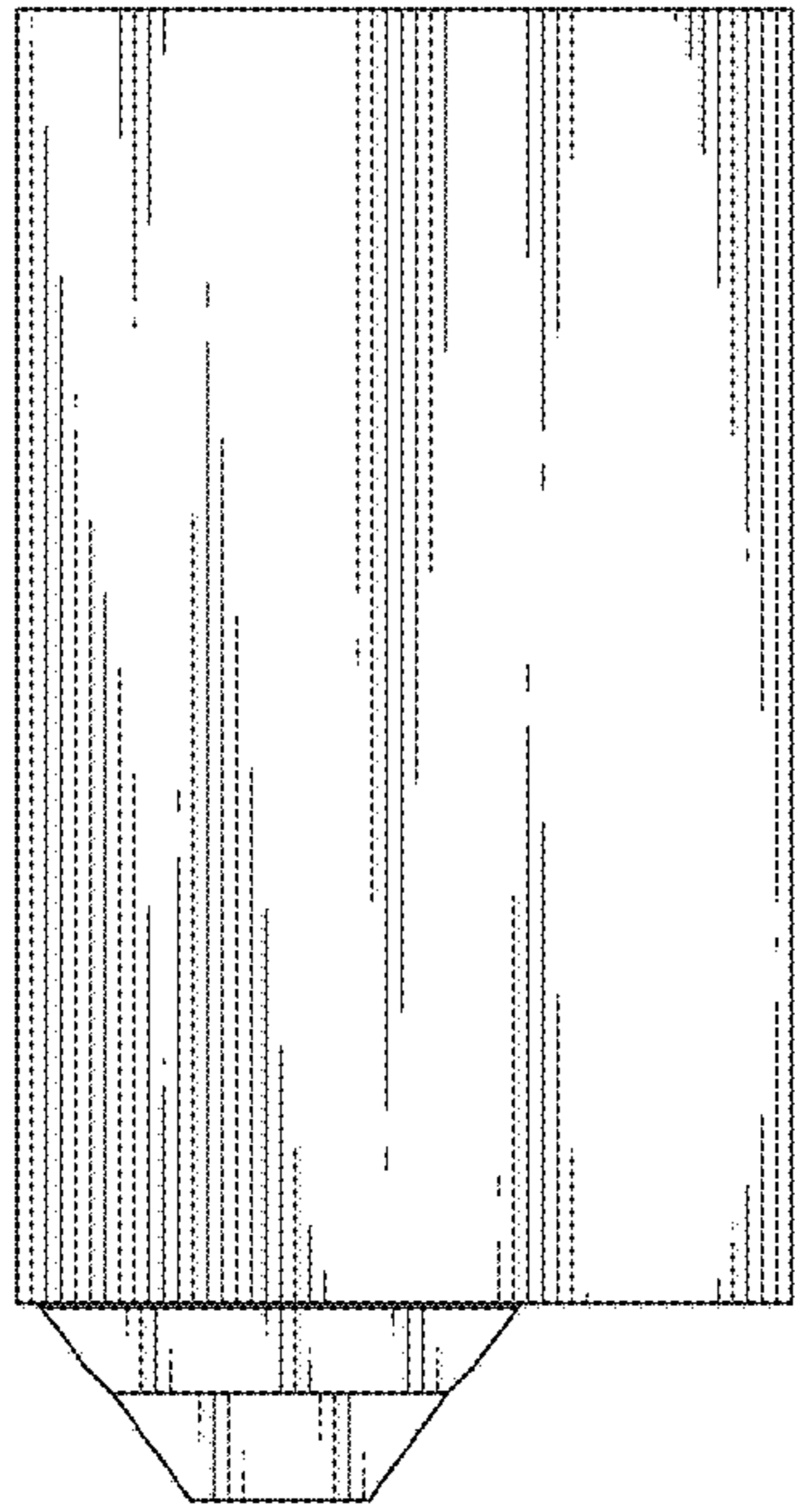


FIG. 6

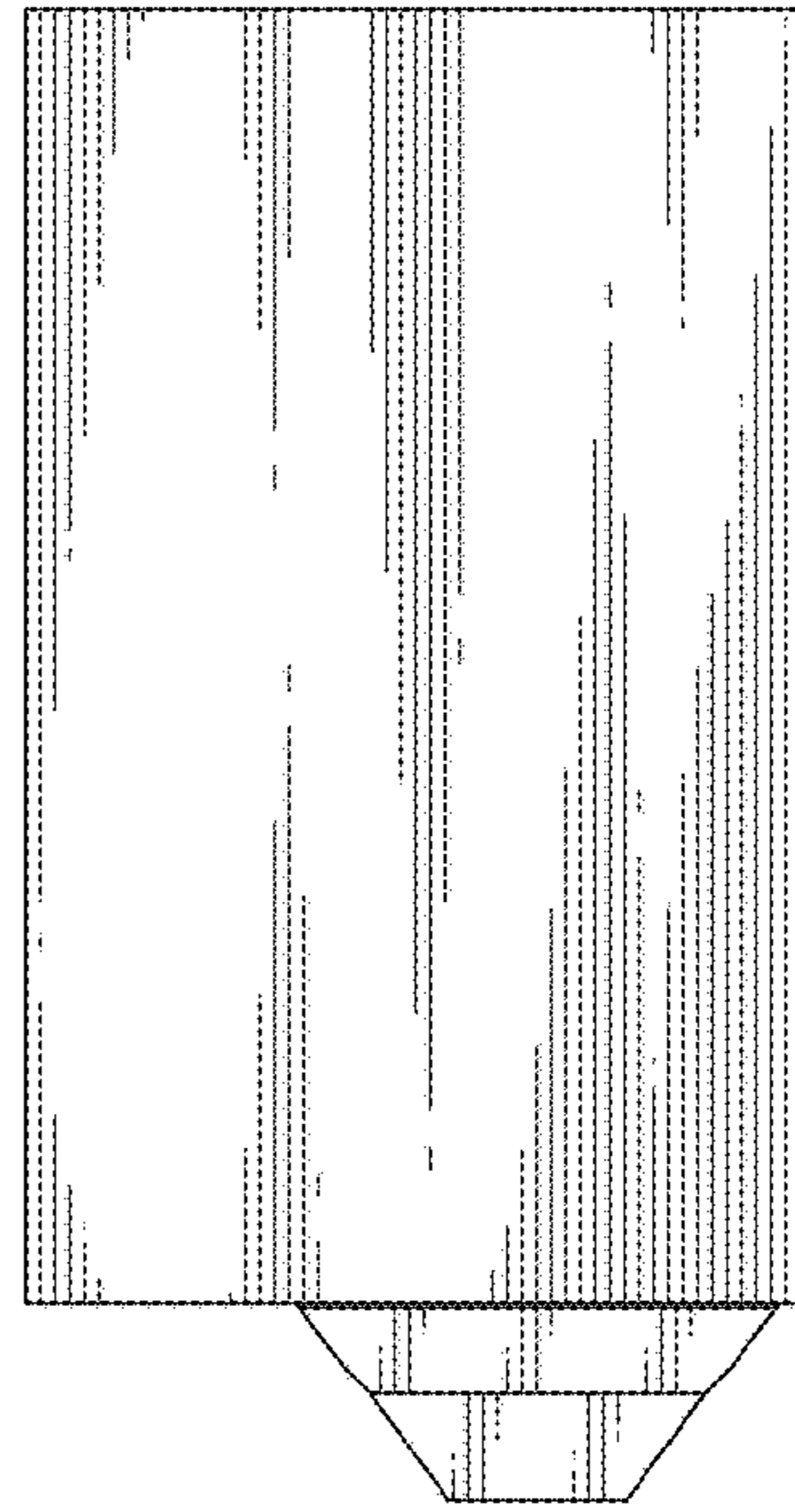
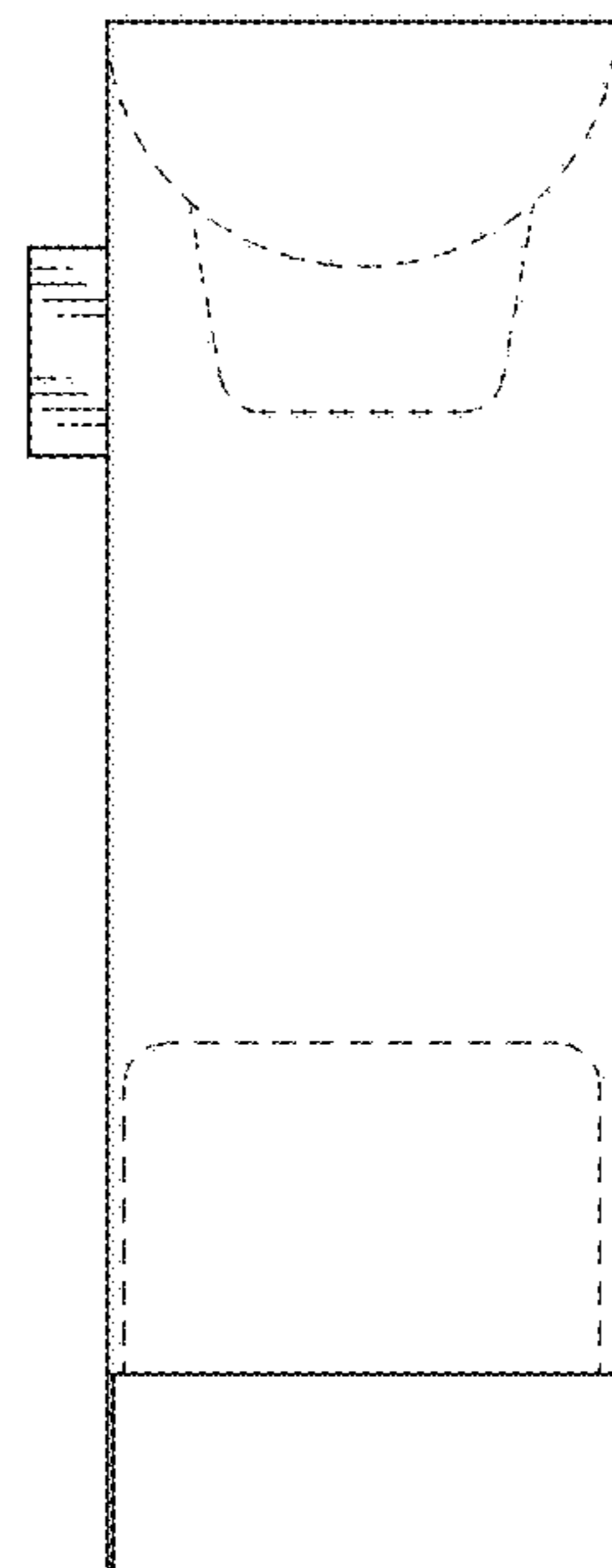
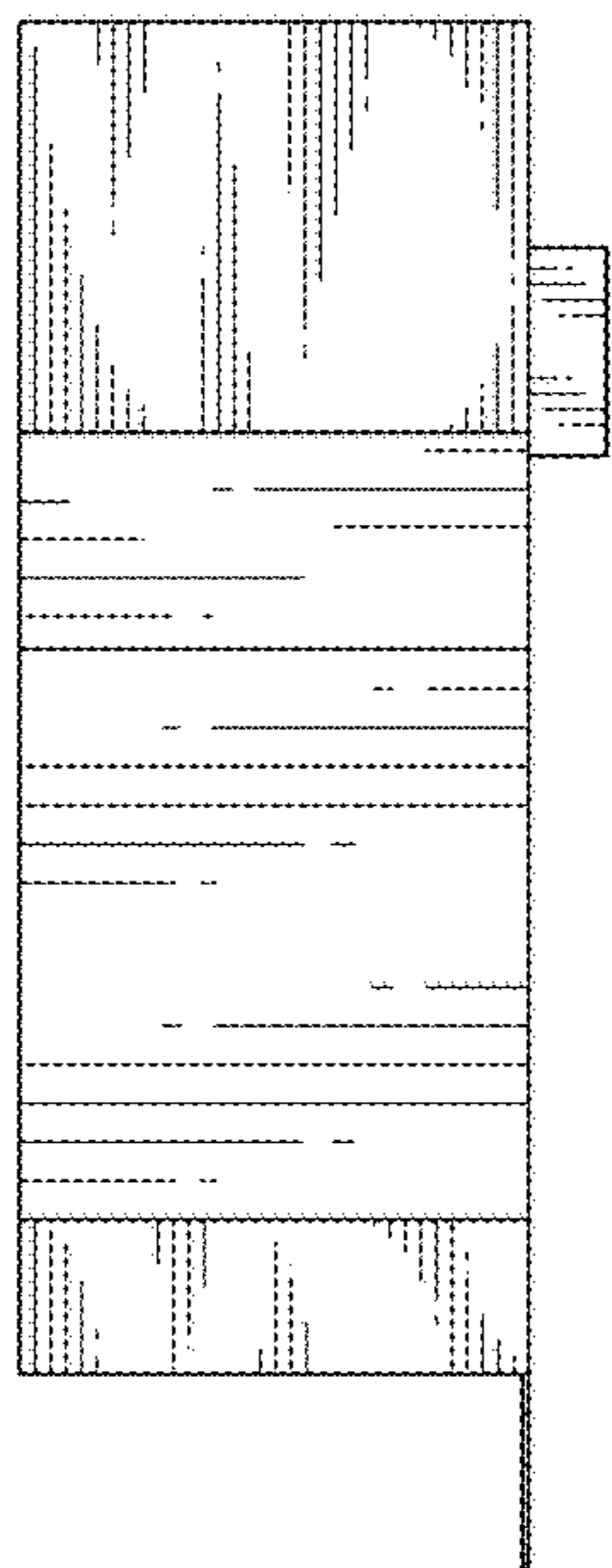


FIG. 7



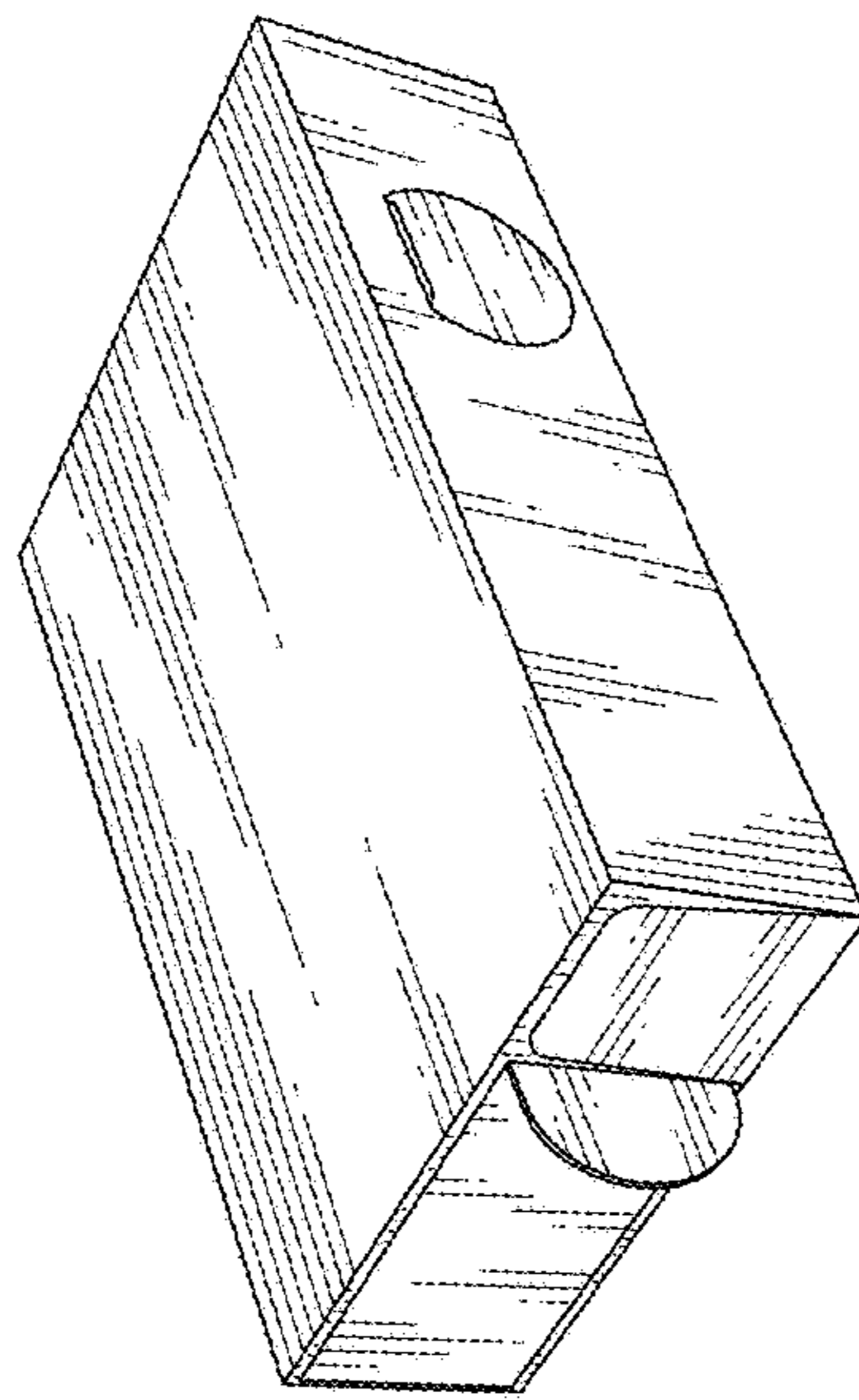


FIG. 8

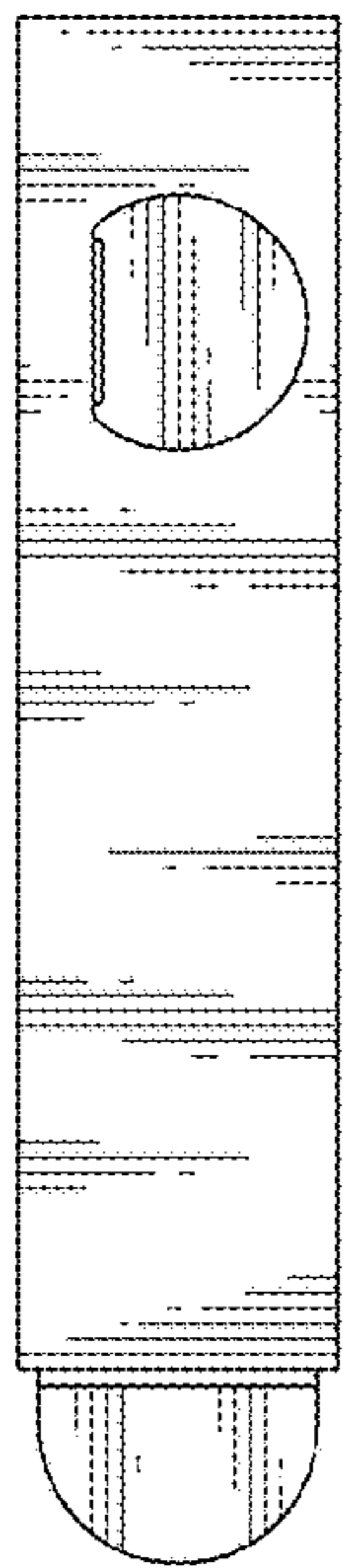


FIG. 9

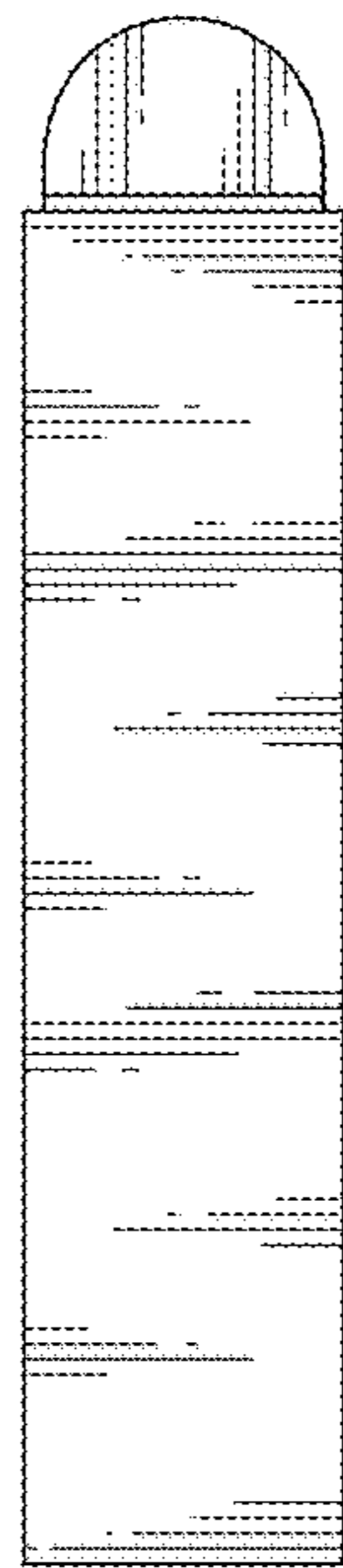


FIG. 10



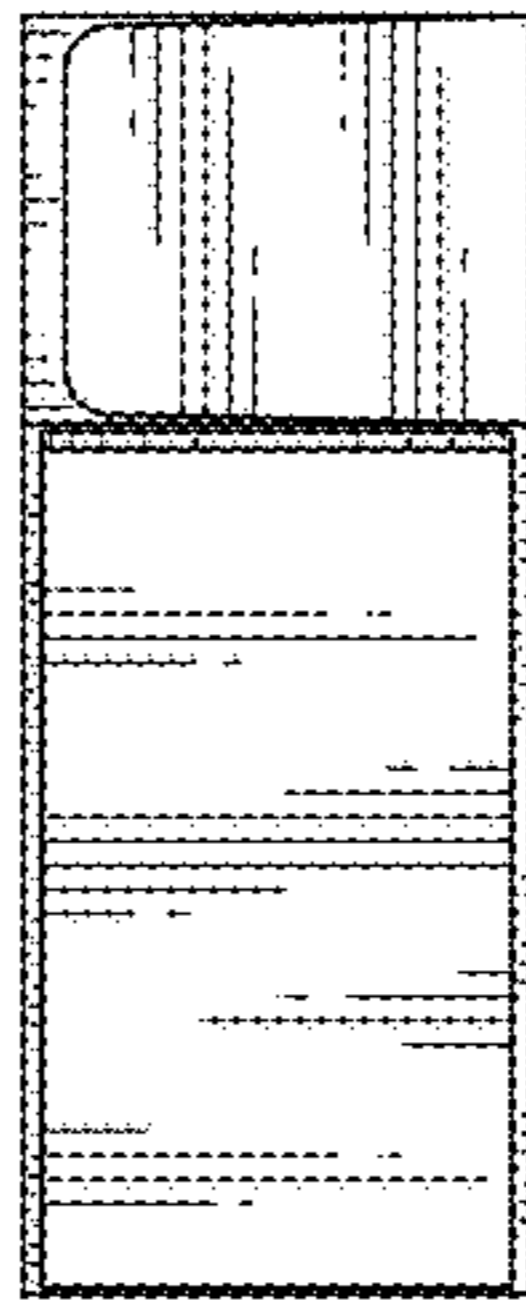


FIG. 12

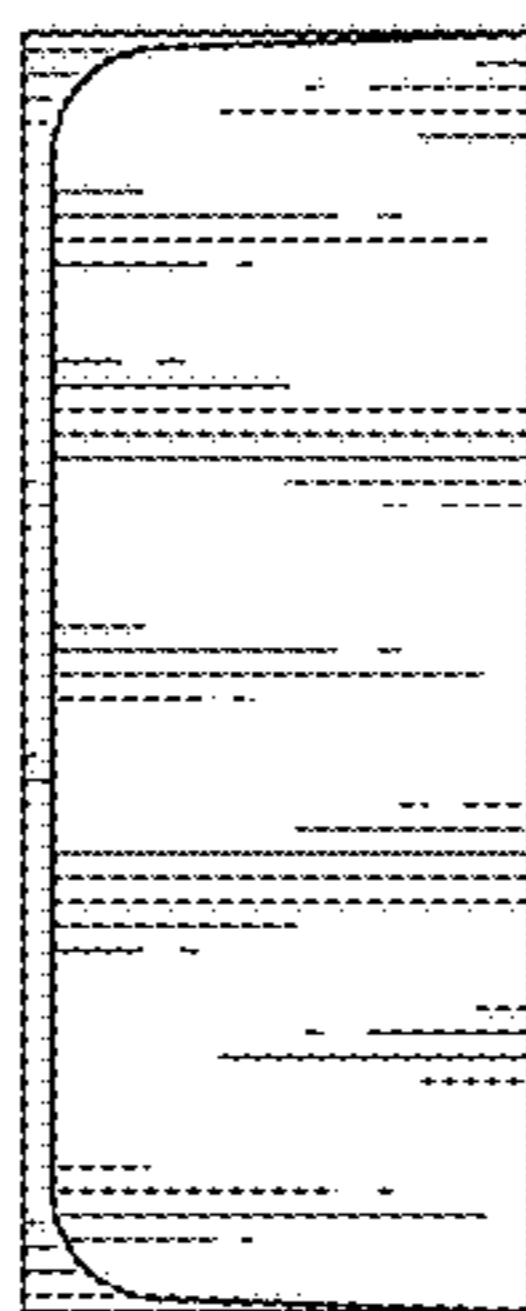


FIG. 11

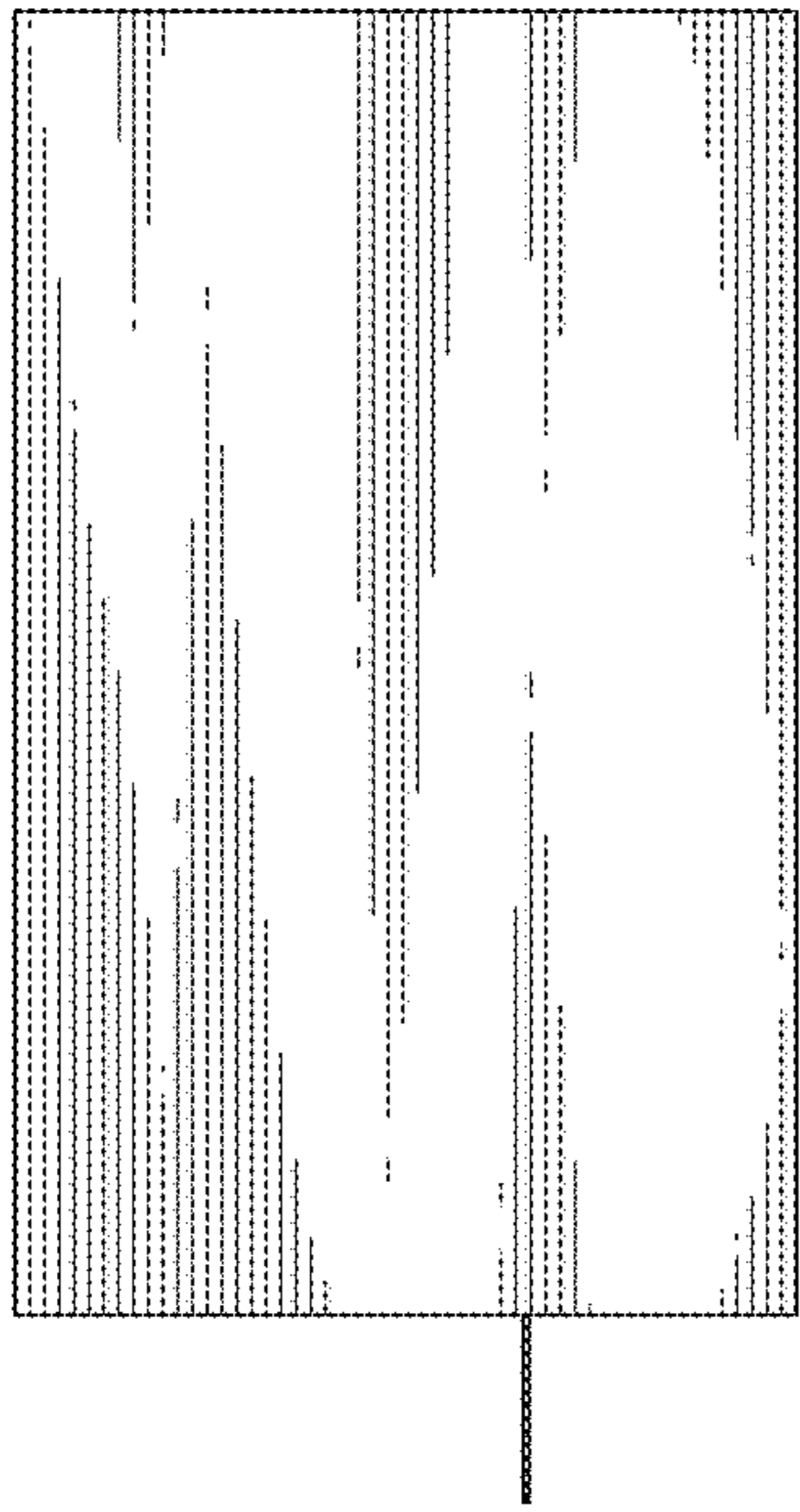


FIG. 13

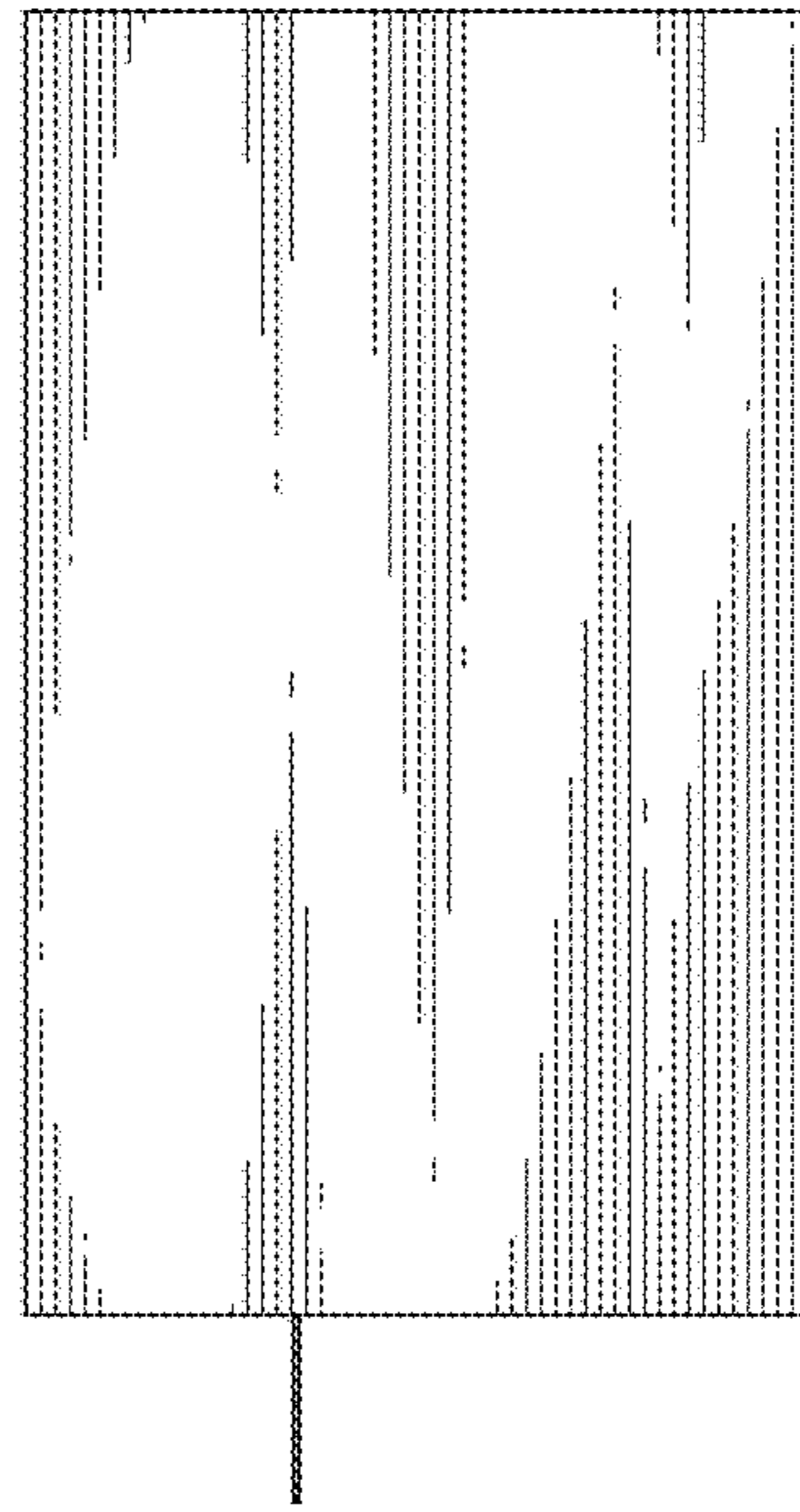


FIG. 14

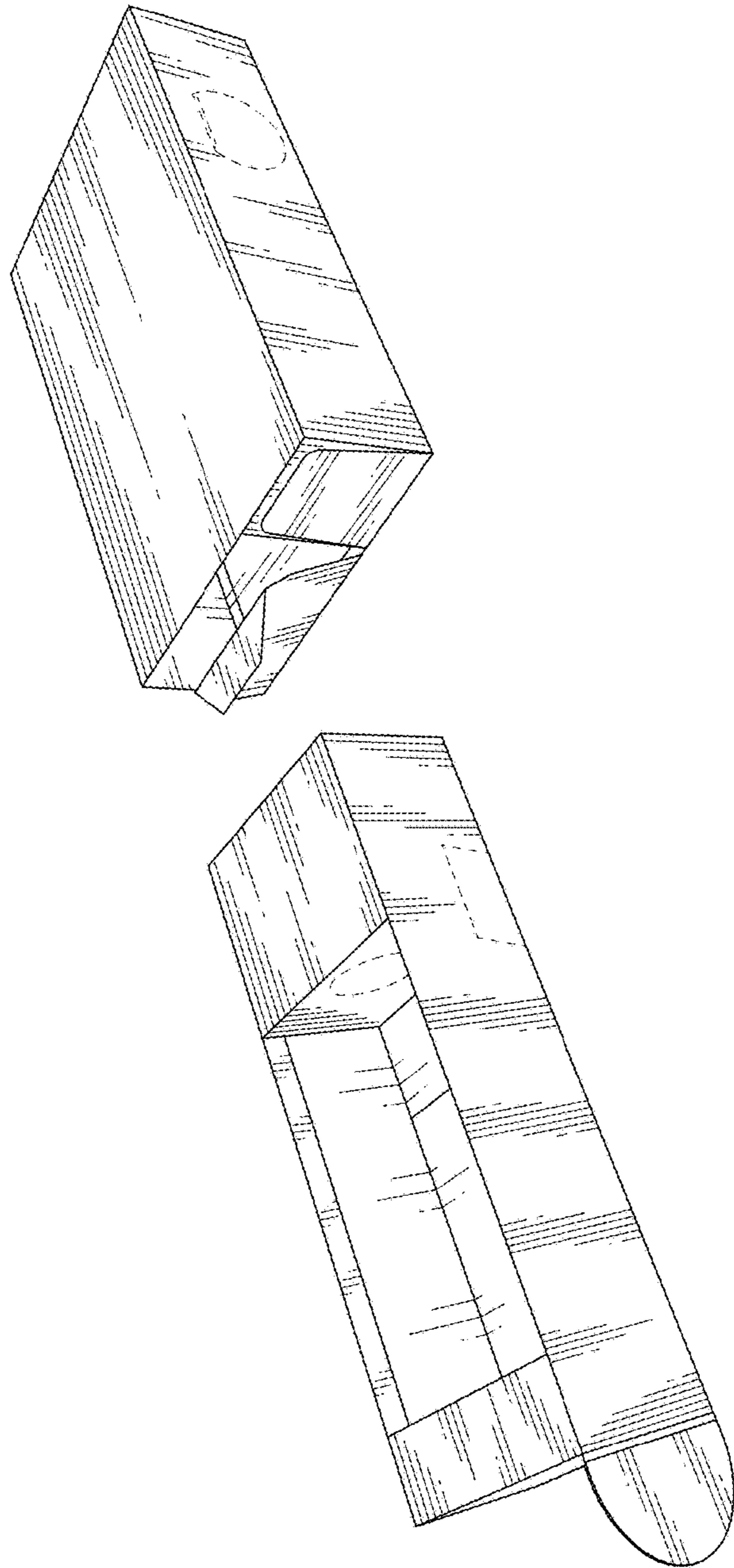


FIG. 15

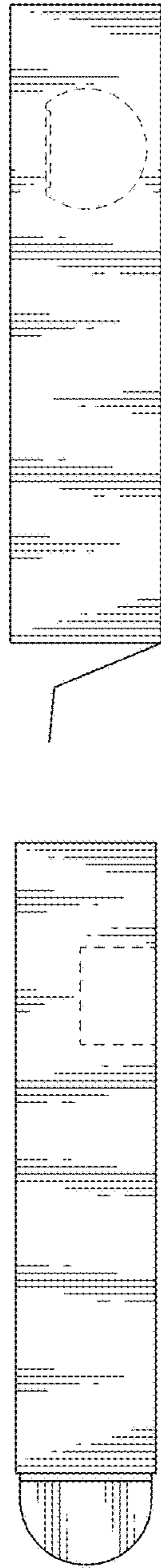


FIG. 16

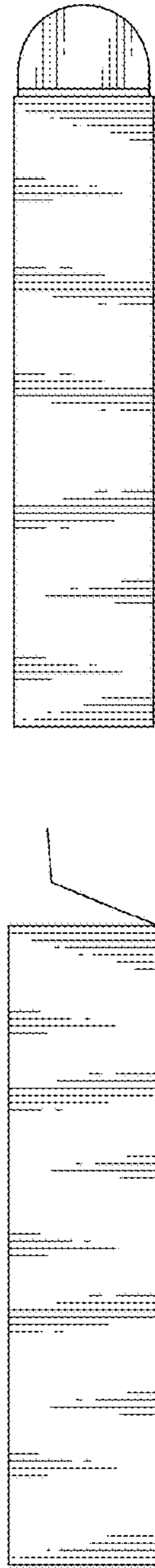


FIG. 17

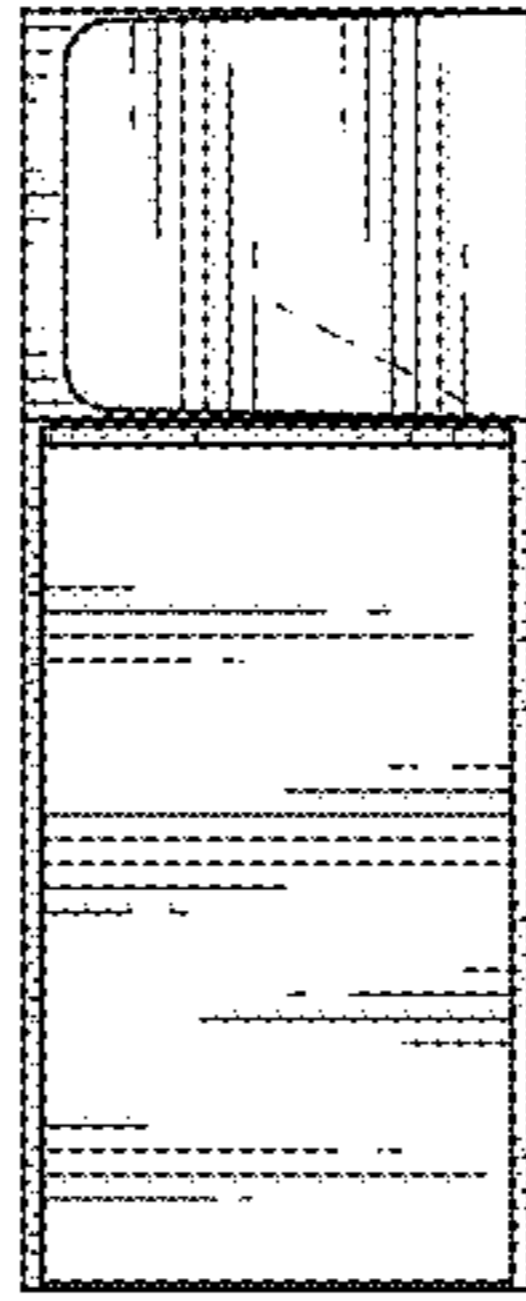


FIG. 19

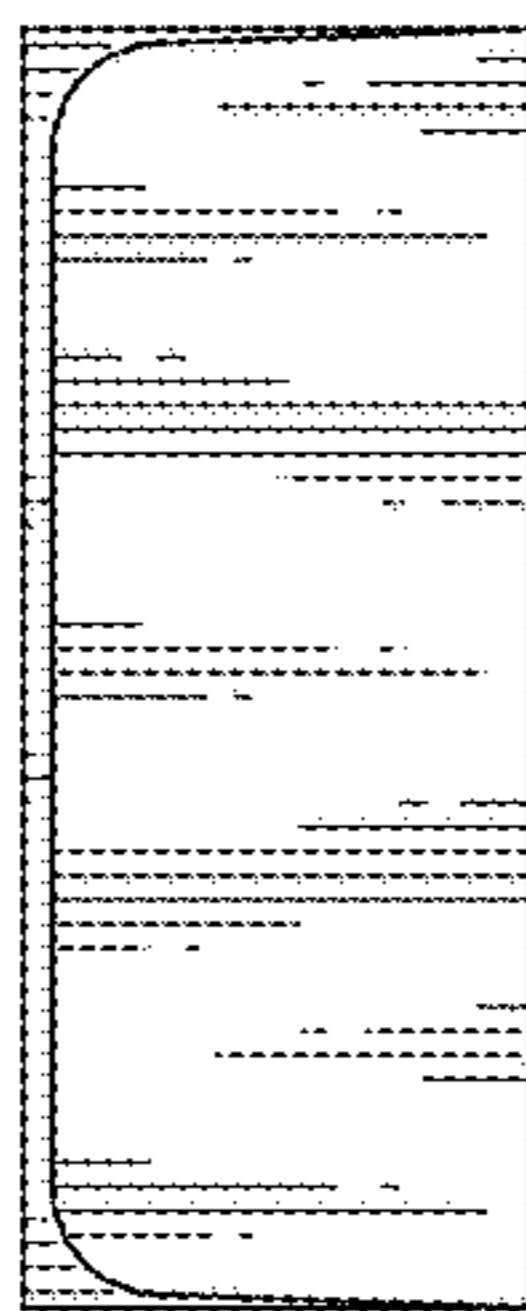


FIG. 18

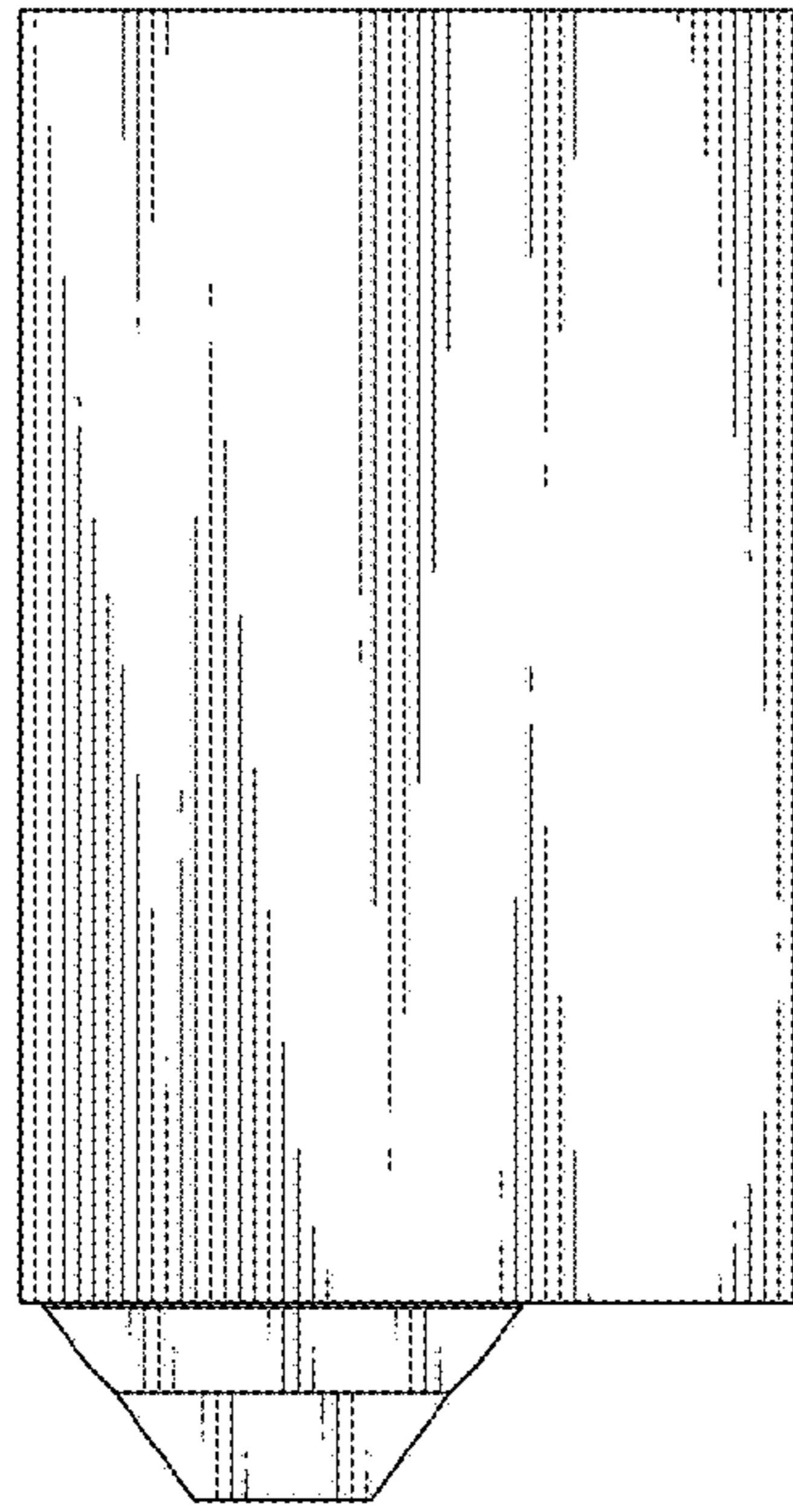


FIG. 20

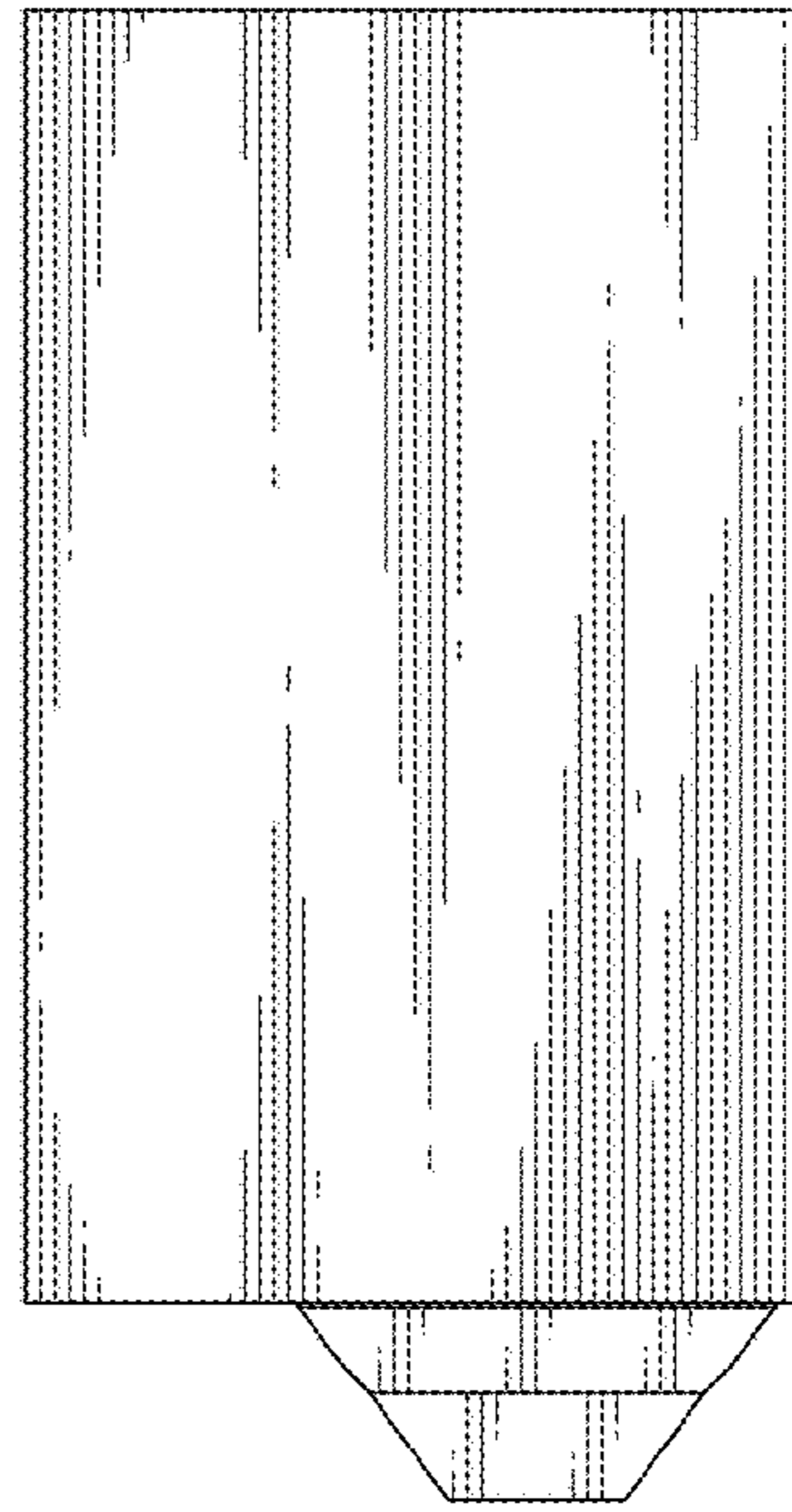
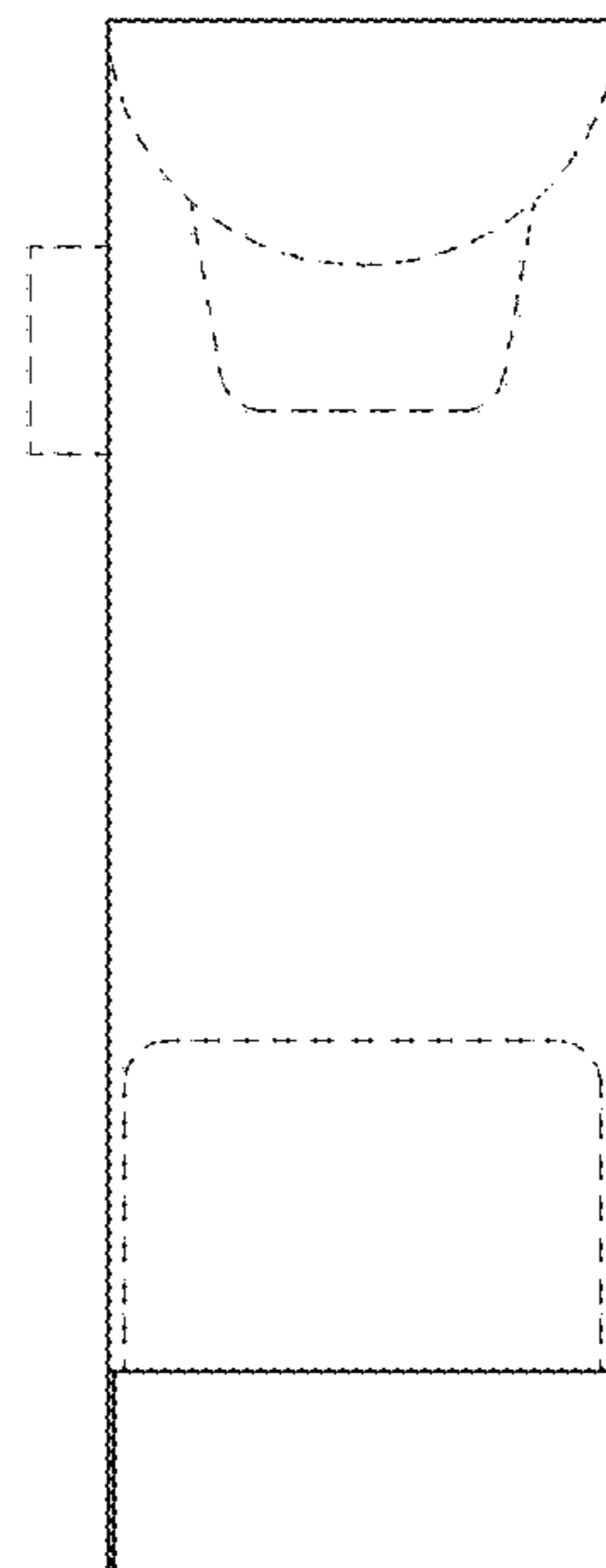
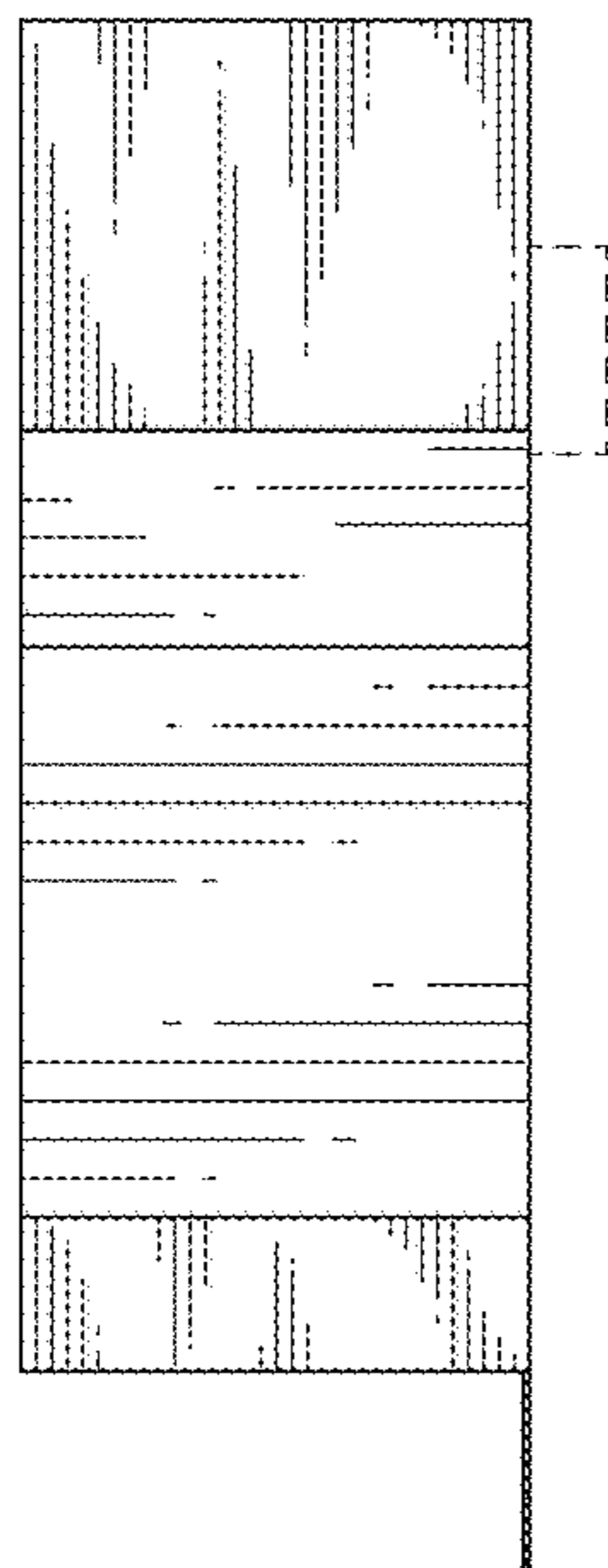


FIG. 21



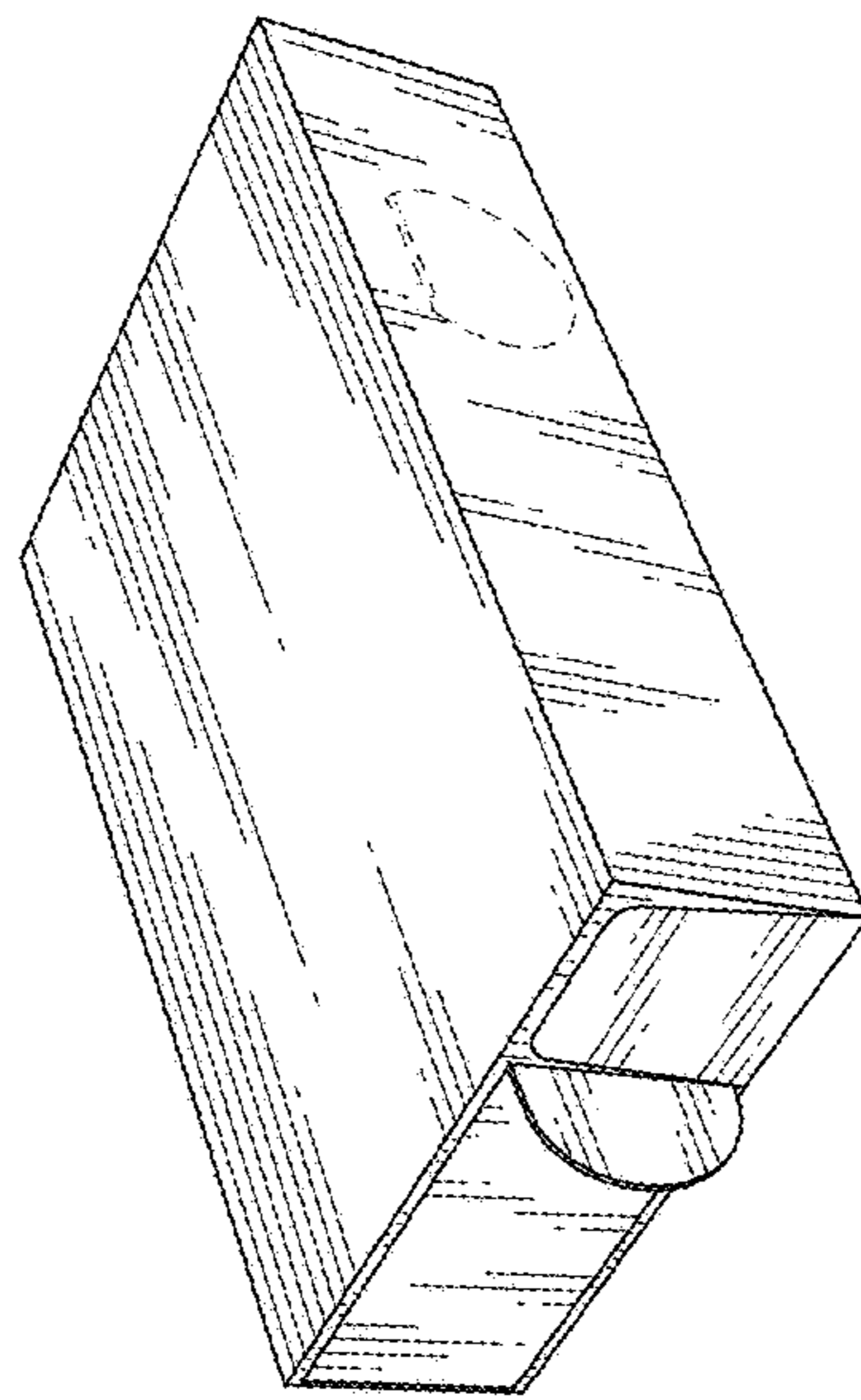


FIG. 22

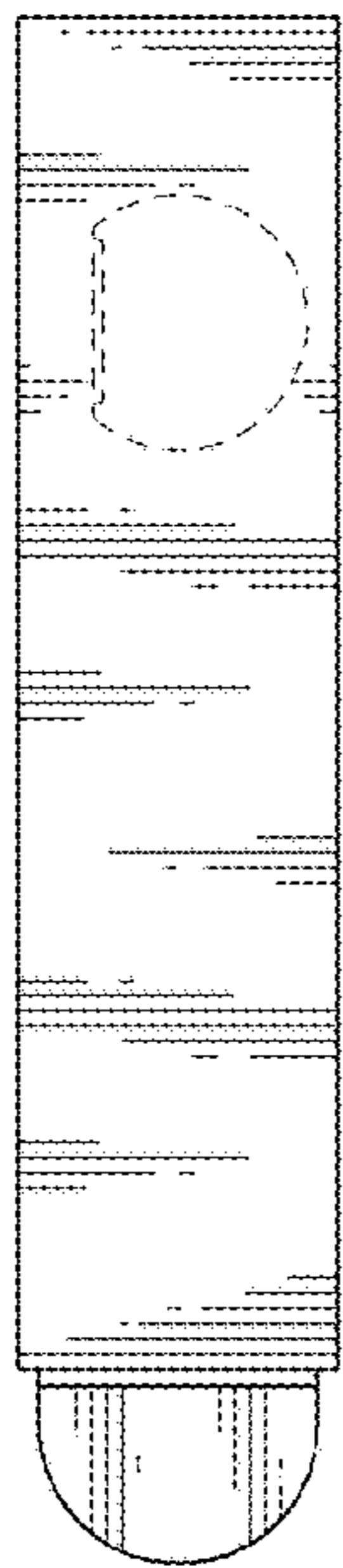


FIG. 23

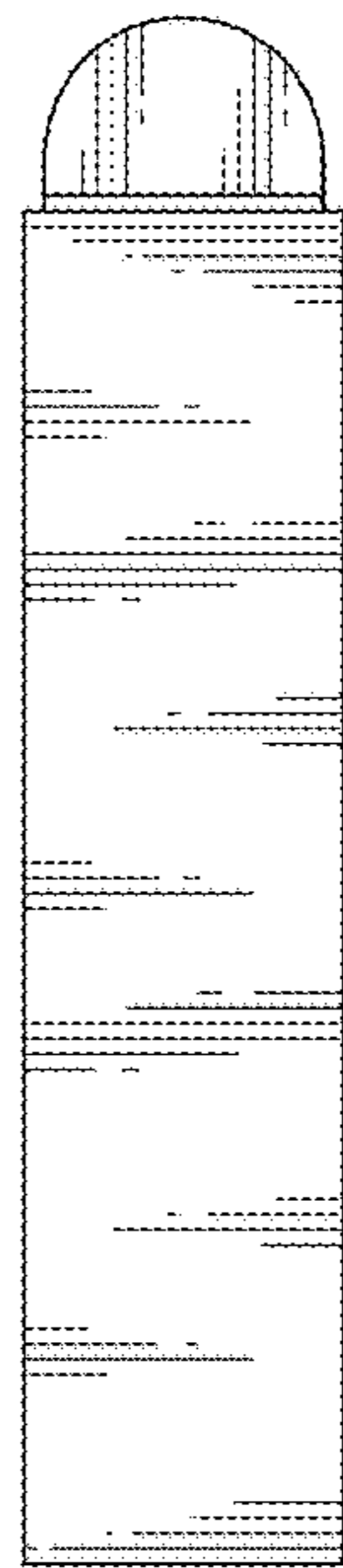


FIG. 24



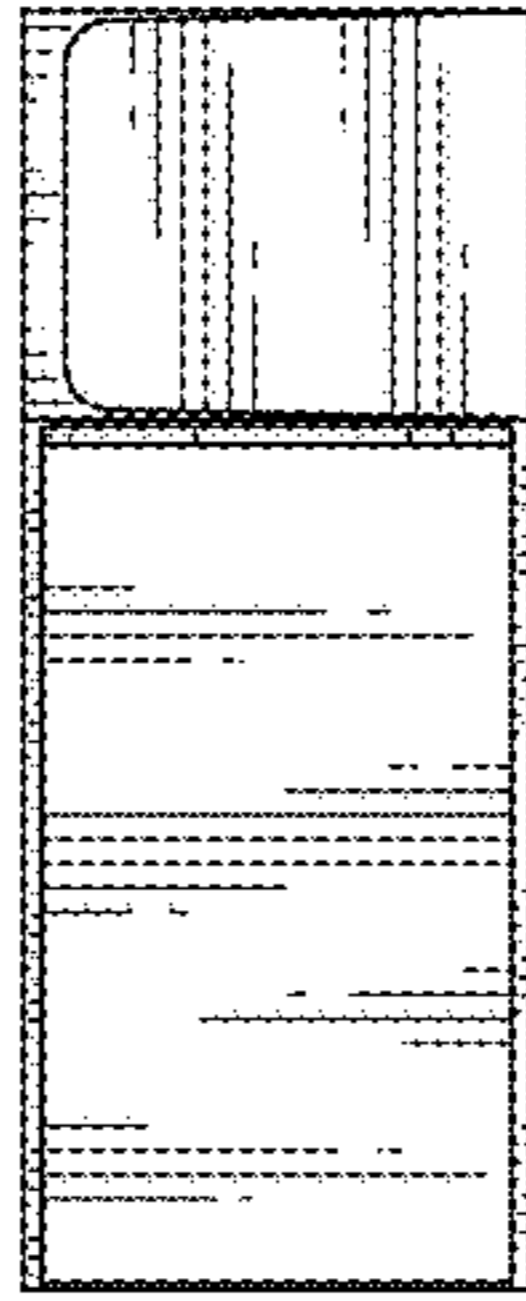


FIG. 26

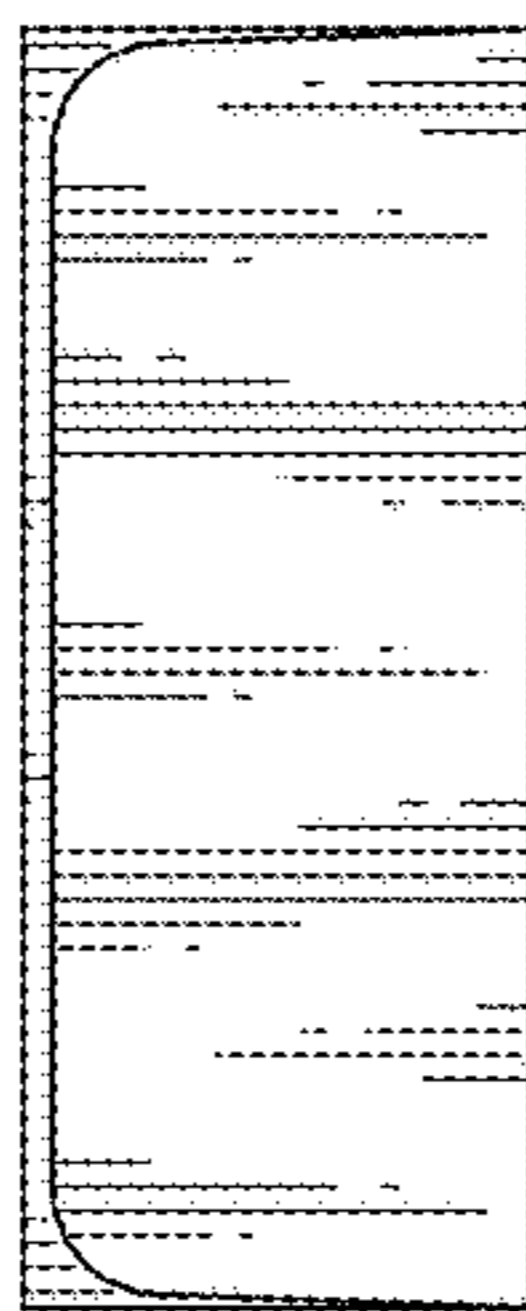


FIG. 25

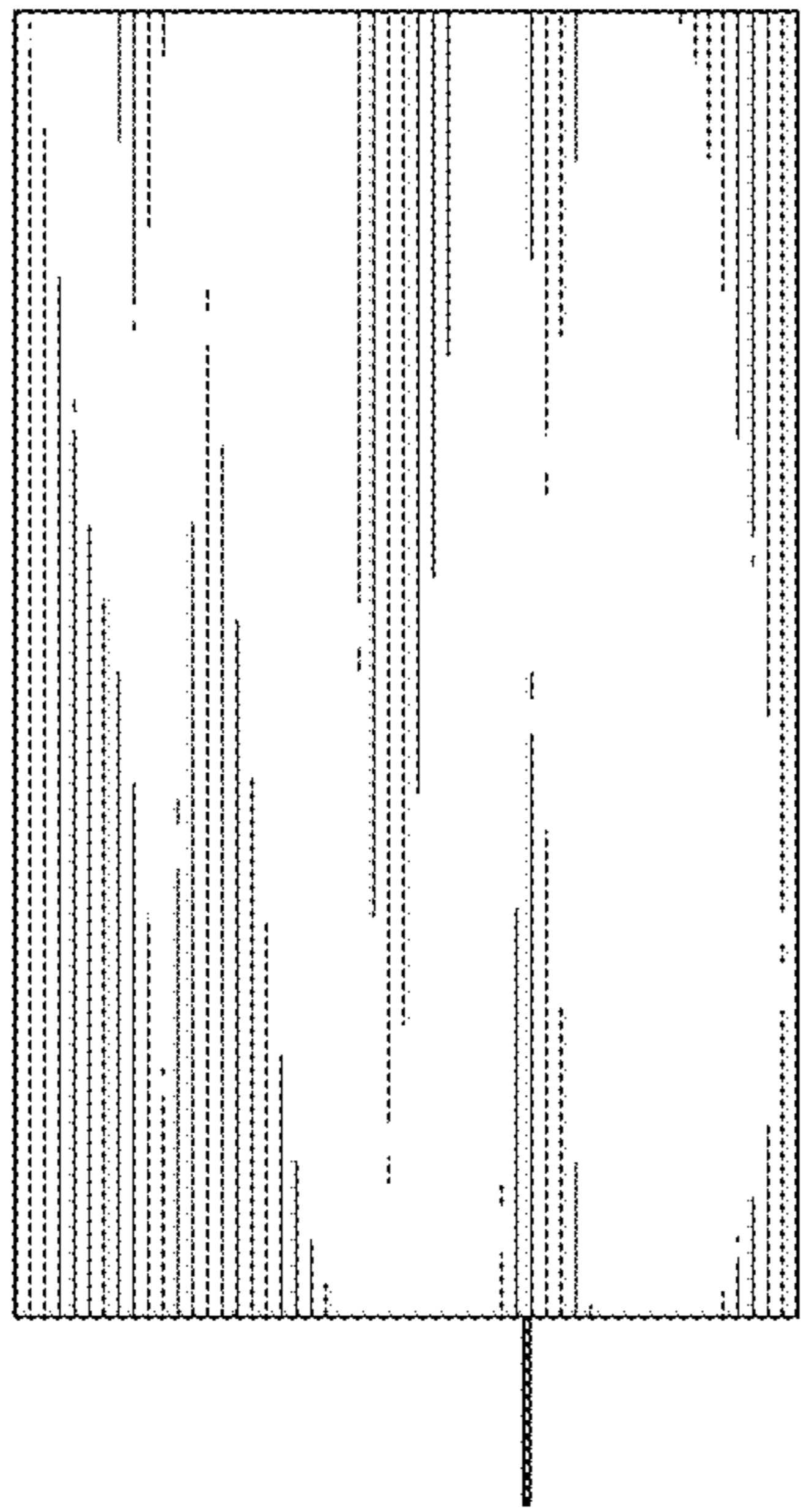


FIG. 27

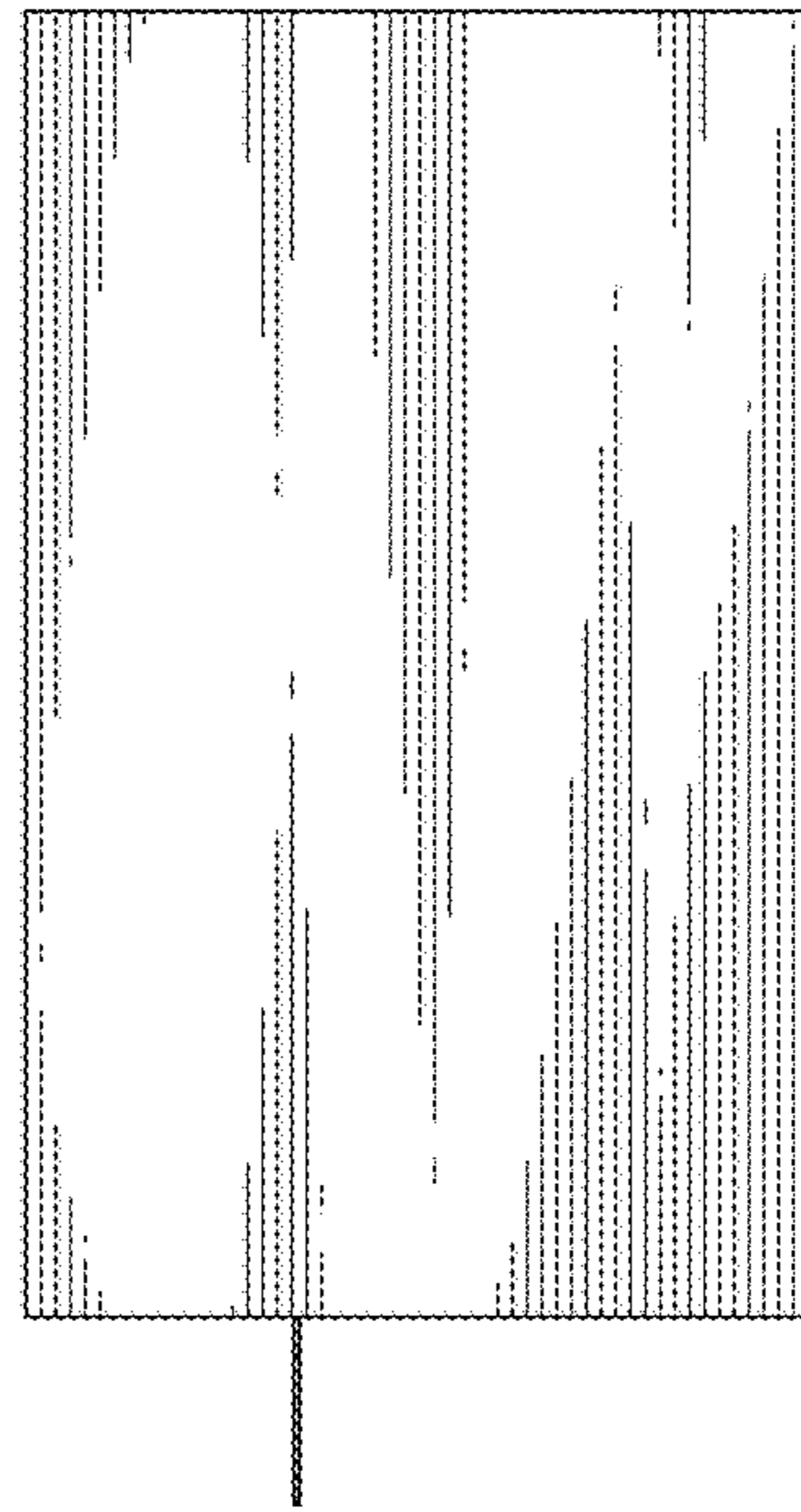


FIG. 28

UNITED STATES PATENT AND TRADEMARK OFFICE  
**CERTIFICATE OF CORRECTION**

PATENT NO. : D867,129 S  
APPLICATION NO. : 29/600623  
DATED : November 19, 2019  
INVENTOR(S) : Christopher Chambers and Eric Gilger

Page 1 of 1

It is certified that error appears in the above-identified patent and that said Letters Patent is hereby corrected as shown below:

On the Title Page

In item (73) Assignee, delete "Auroro" and insert --Aurora--

Signed and Sealed this  
Second Day of February, 2021



Drew Hirshfeld  
*Performing the Functions and Duties of the  
Under Secretary of Commerce for Intellectual Property and  
Director of the United States Patent and Trademark Office*