



US00D867128S

(12) **United States Design Patent** (10) **Patent No.:** **US D867,128 S**  
**Keary et al.** (45) **Date of Patent:** **\*\* Nov. 19, 2019**

(54) **RING BOX**

(71) Applicants: **Erin Keary**, St. Louis, MO (US);  
**Phillip James**, St. Louis, MO (US)

(72) Inventors: **Erin Keary**, St. Louis, MO (US);  
**Phillip James**, St. Louis, MO (US)

(\*\*) Term: **15 Years**

(21) Appl. No.: **29/596,351**

(22) Filed: **Mar. 7, 2017**

(51) **LOC (12) Cl.** ..... **09-03**

(52) **U.S. Cl.**  
USPC ..... **D9/432; D9/737**

(58) **Field of Classification Search**  
USPC ..... D9/414-419, 420-423, 424-429,  
D9/430-434, 456, 457, 721-722,  
D9/732-734, 737, 756, 759, 761;  
D20/10, 22, 27, 28, 40, 42; D3/294  
CPC ..... B65D 5/00; B65D 5/0015; B65D 5/061;  
B65D 5/18; B65D 5/20; B65D 5/32;  
B65D 5/321; B65D 5/322  
See application file for complete search history.

(56) **References Cited**

**U.S. PATENT DOCUMENTS**

2,888,136	A	5/1959	Borde	
4,493,417	A	1/1985	Ackeret	
4,854,656	A	8/1989	O'Keefe	
5,673,796	A	10/1997	Tulloch	
D385,781	S *	11/1997	Levine	D9/423
5,759,146	A *	6/1998	Wilkinson	B65B 11/50 493/223
5,979,661	A	11/1999	Sherman	
D643,306	S *	8/2011	Martinez	D9/721
D690,587	S *	10/2013	DeLisle	D9/423
D731,325	S *	6/2015	Loessin	D9/737
D735,572	S *	8/2015	Fath	D9/418
9,180,997	B2 *	11/2015	Melistas	B65D 5/48018
D754,408	S *	4/2016	Garrett	D32/35

D797,550	S *	9/2017	Fath	D9/418
D808,090	S *	1/2018	Diehl	D30/162
D812,463	S *	3/2018	Lee	D9/420
2001/0017315	A1 *	8/2001	Baroudi	B65D 5/443 229/148
2004/0159560	A1	8/2004	Viverito	

(Continued)

**OTHER PUBLICATIONS**

FAQ—Erin Keary. [online] Retrieved Mar. 12, 2018 from URL:  
<[https://erinkeary.com/pages/faq\\_1/](https://erinkeary.com/pages/faq_1/)>.\*

(Continued)

*Primary Examiner* — Vy N Koenig  
(74) *Attorney, Agent, or Firm* — Linda L Lewis;  
CreatiVenture Law

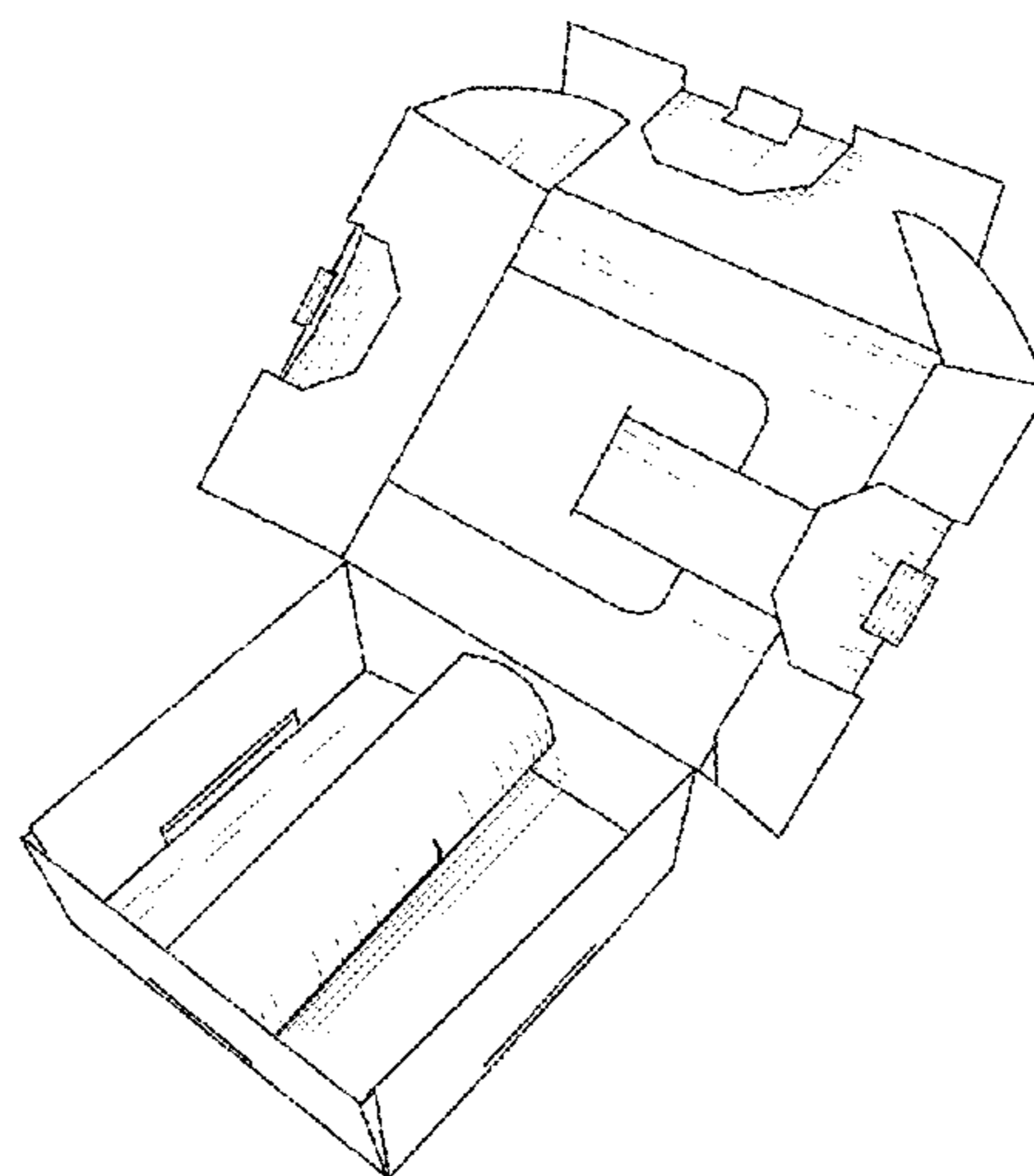
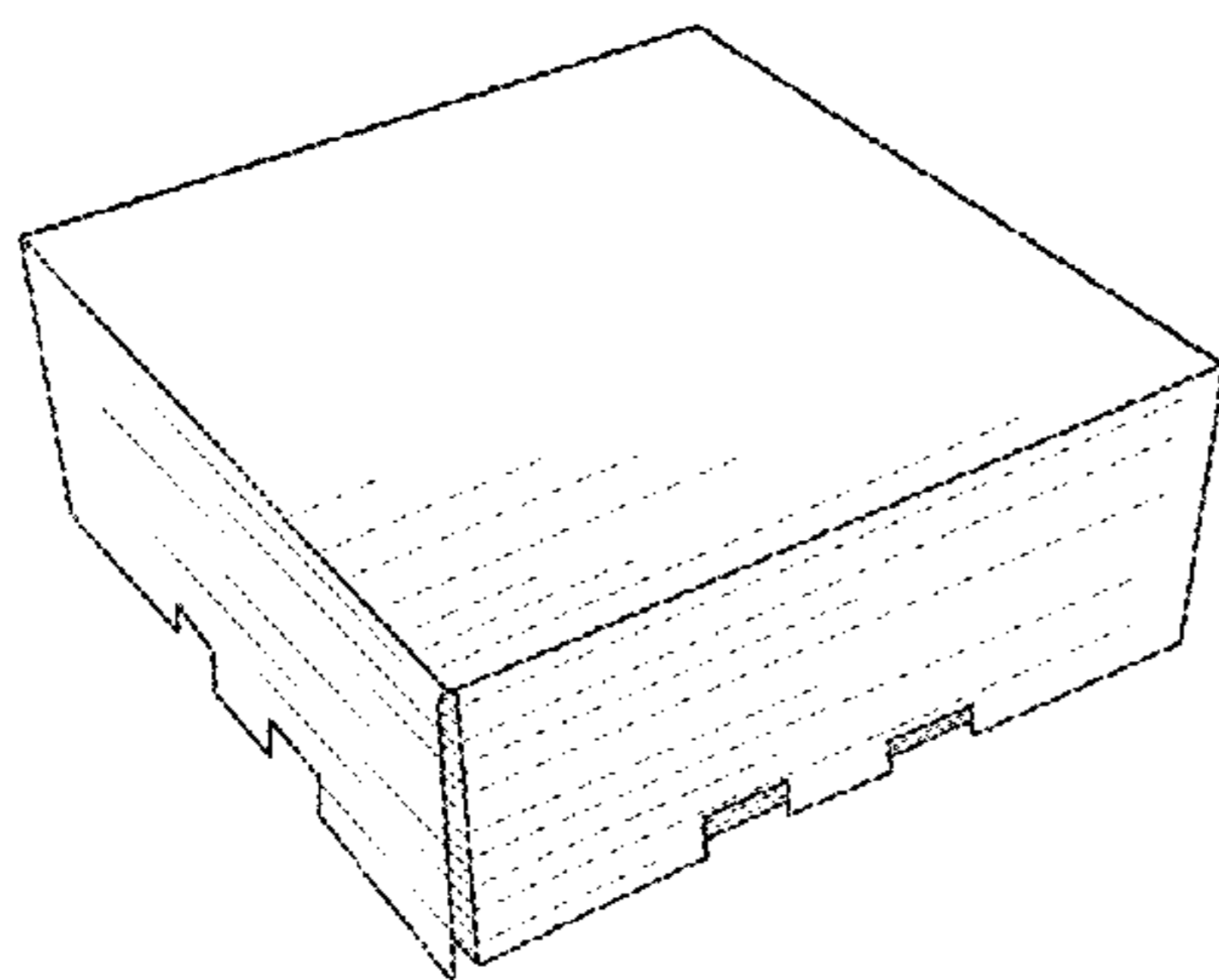
(57) **CLAIM**

The ornamental design for a ring box, as shown and described.

**DESCRIPTION**

FIG. 1 is a perspective view of a ring box showing our new design, in a closed configuration;  
FIG. 2 is a top plan view thereof;  
FIG. 3 is a left side view thereof, the right side being a mirror image thereof;  
FIG. 4 is a bottom view of the ring box in a partially open configuration;  
FIG. 5 is a front, top and left perspective view of the ring box in an open configuration;  
FIG. 6 is a front and top perspective view thereof;  
FIG. 7 is a top view of the insert portion of the ring box shown separately to show aspects of the design that may not be apparent in the other views;  
FIG. 8 is a front view thereof;  
FIG. 9 is a bottom view thereof; and,  
FIG. 10 is a perspective view thereof.

**1 Claim, 10 Drawing Sheets**



(56)

**References Cited**

U.S. PATENT DOCUMENTS

2006/0283925 A1\* 12/2006 Specker ..... B65D 5/2076  
229/120.24  
2011/0240492 A1 10/2011 Hinson  
2015/0093509 A1\* 4/2015 Kennedy ..... C09D 5/29  
427/280

OTHER PUBLICATIONS

DIY: Cardboard Ring Holder. [online] Published Jan. 13, 2012.  
Retrieved Mar. 12, 2018 from URL: <<http://thesecondparty.blogspot.com/2012/01/diy-cardboard-ring-holder.html>>.\*

\* cited by examiner

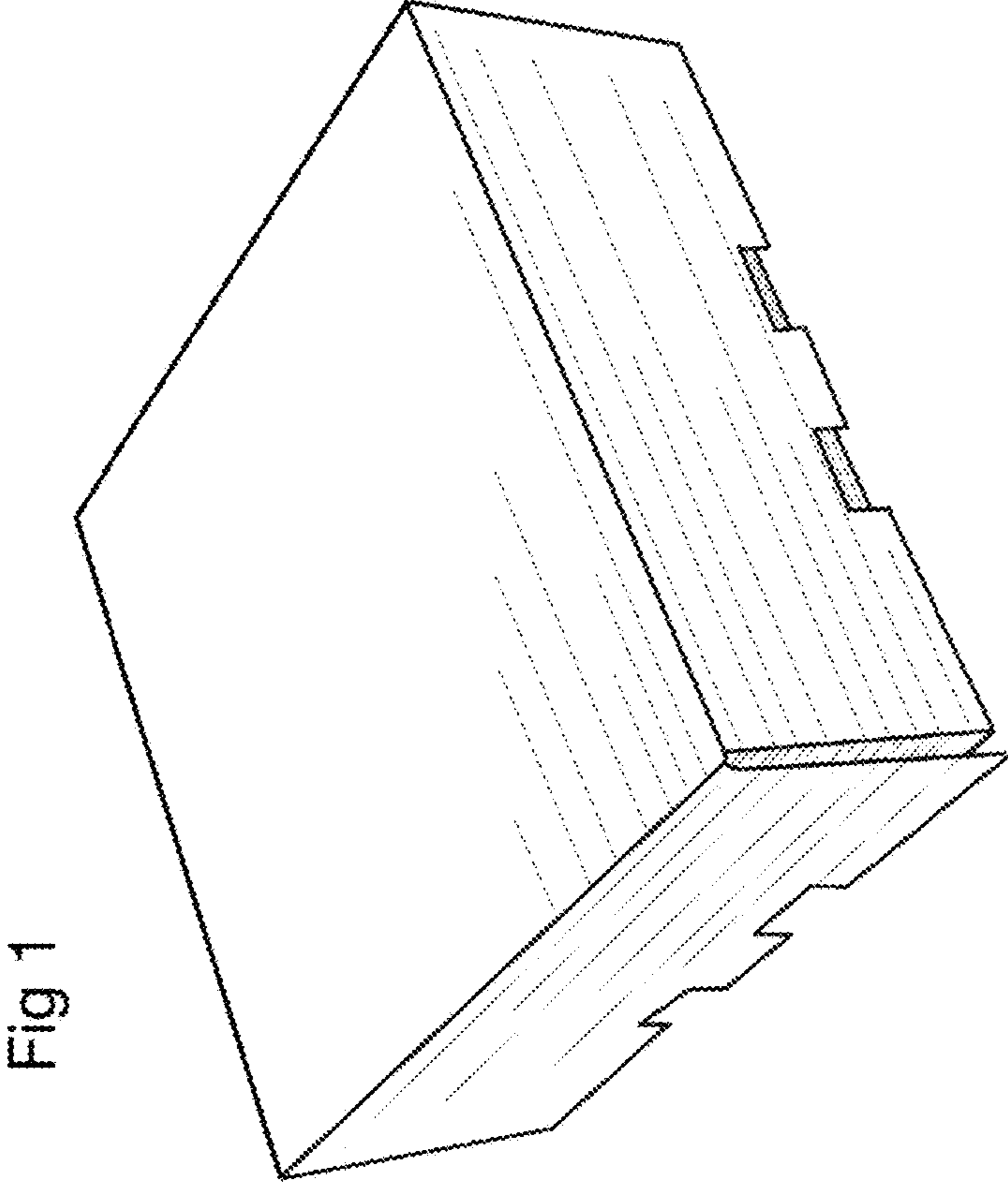


Fig 2

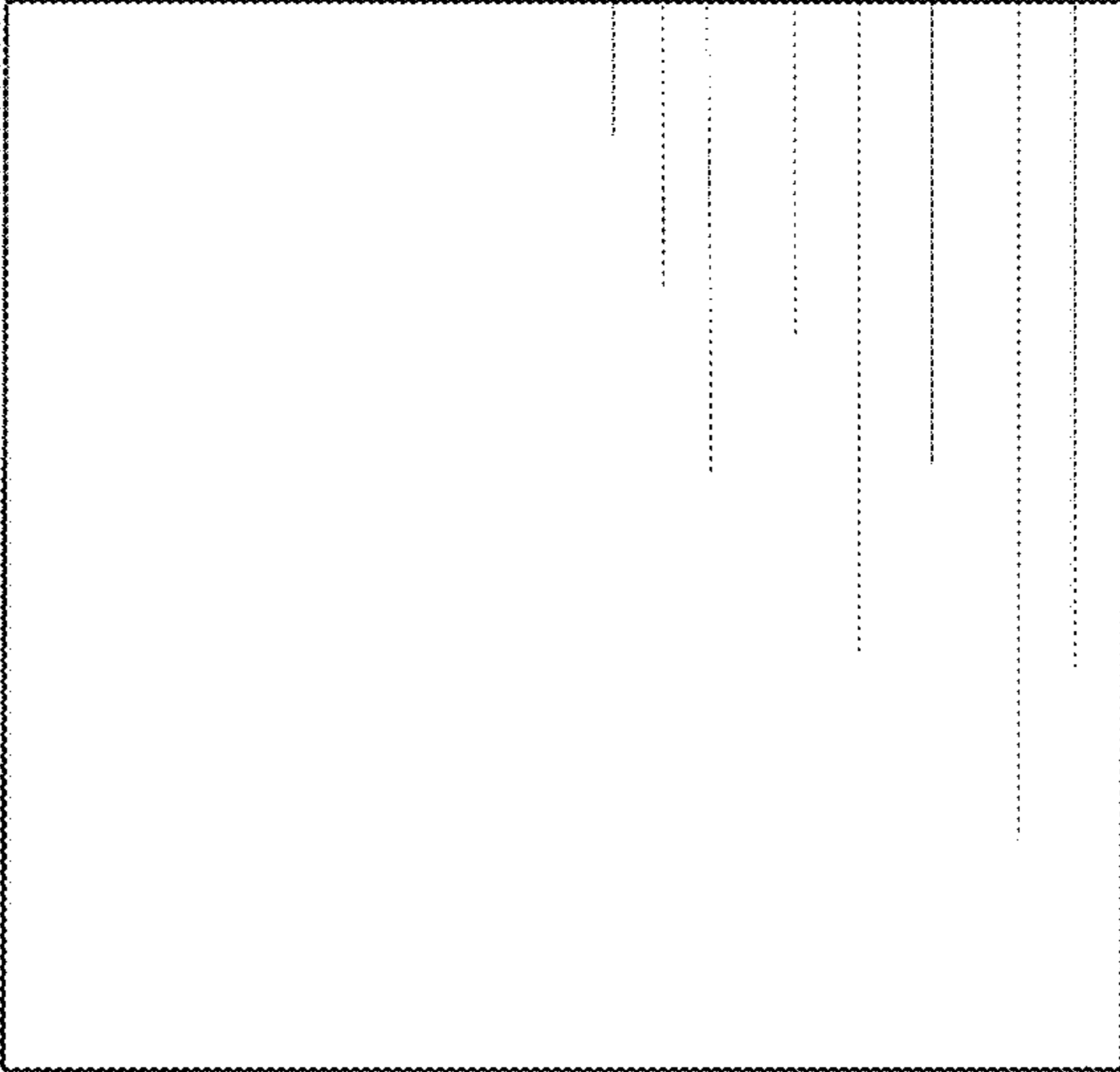


Fig 3

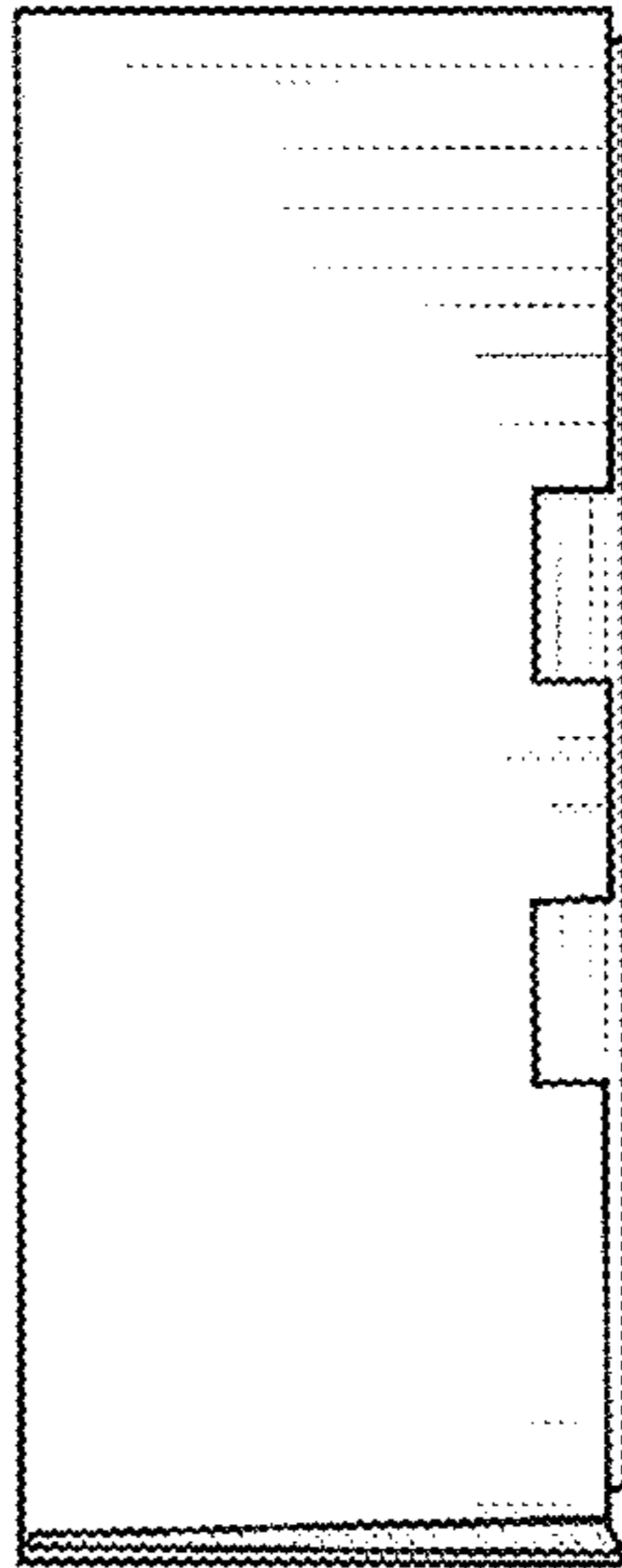
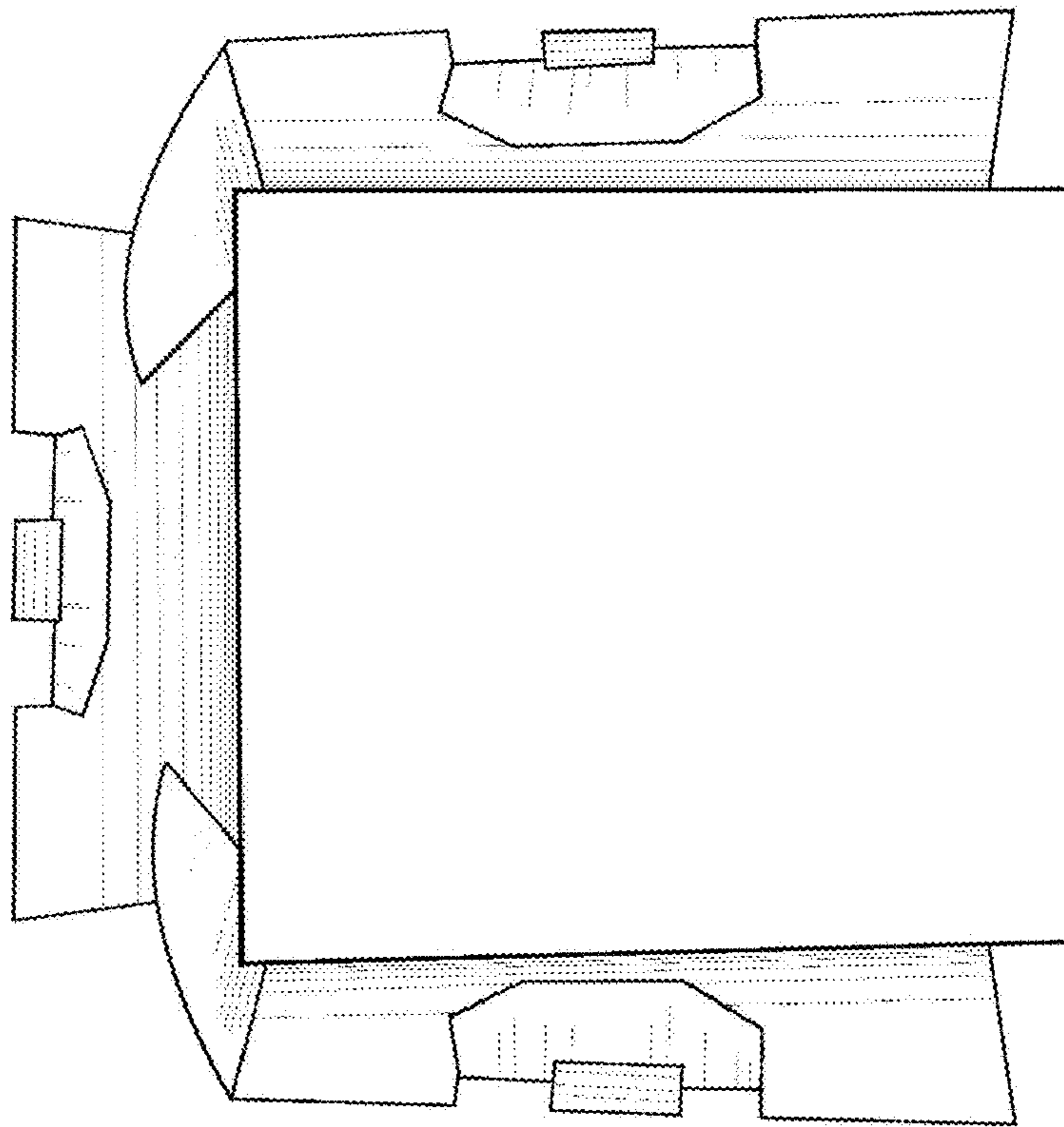


Fig 4



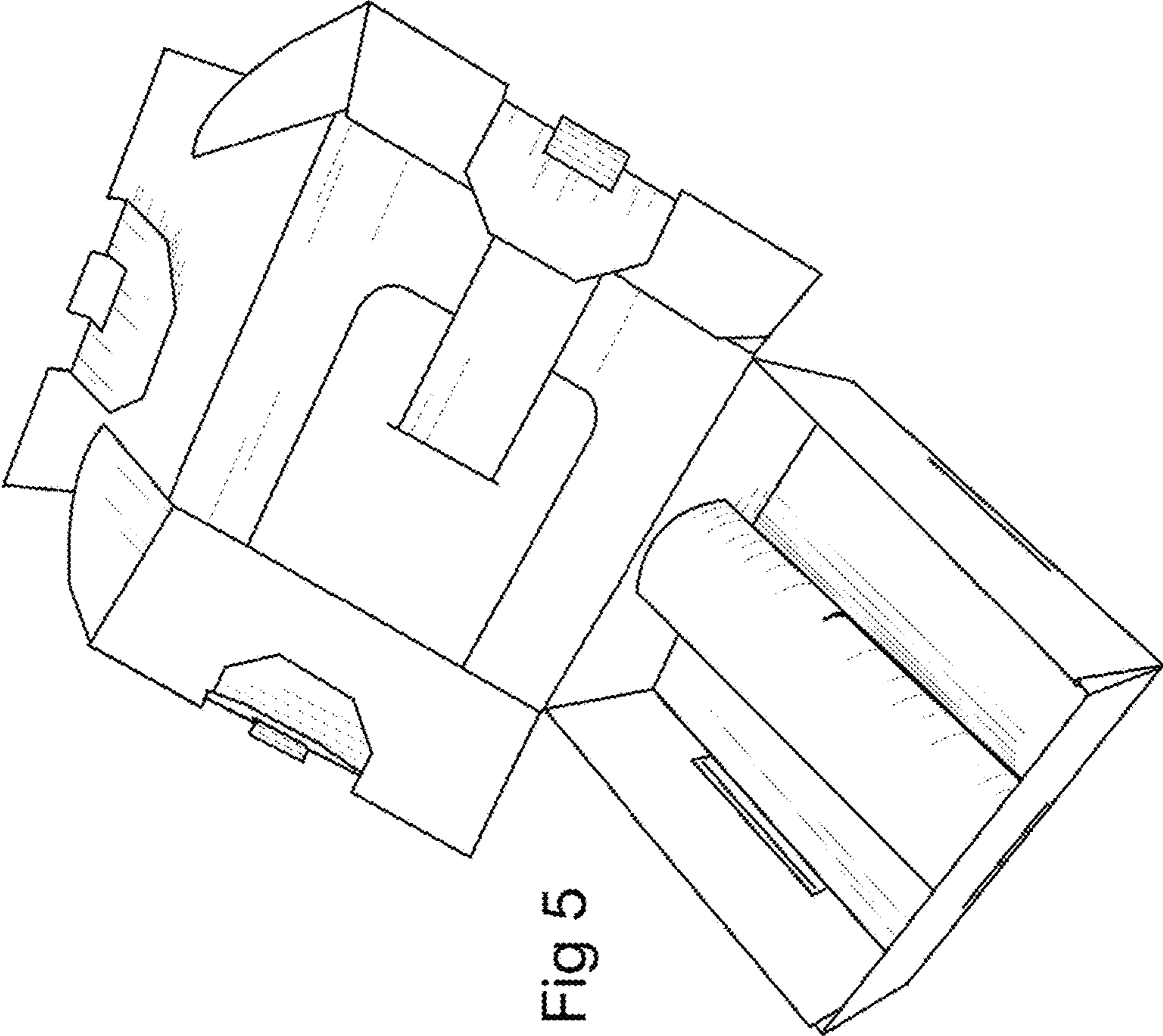


Fig 5

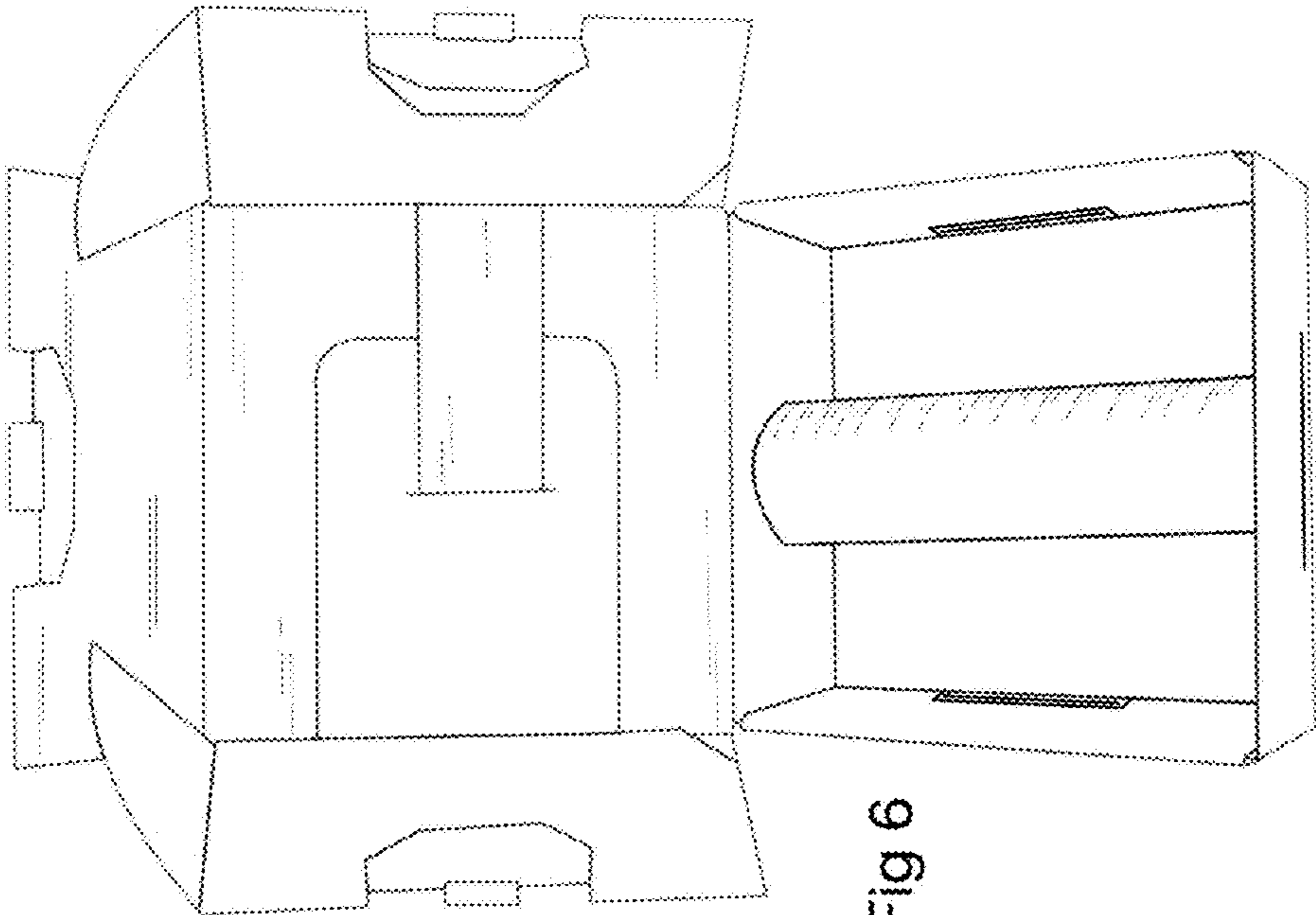


Fig 6



Fig 7

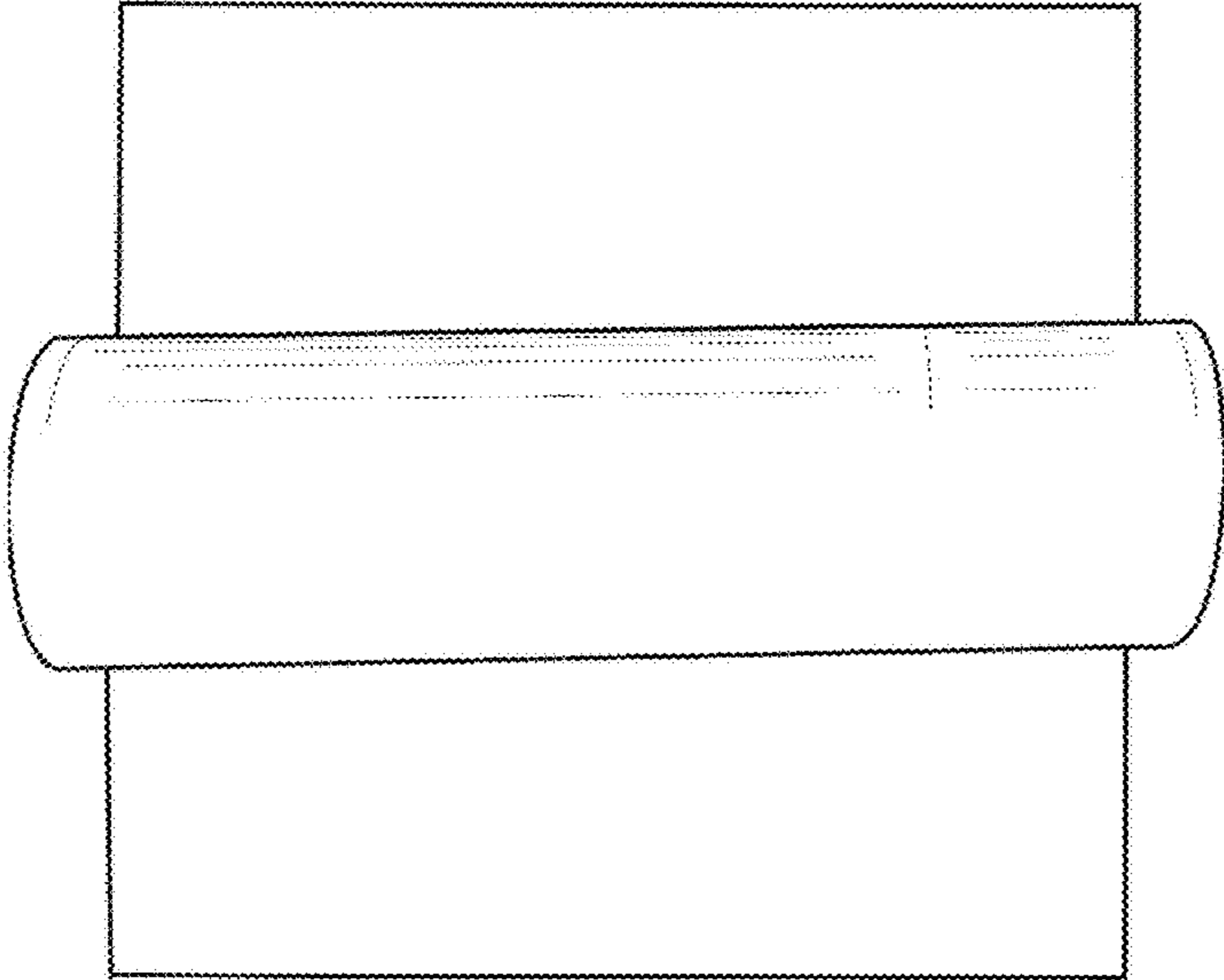


Fig 8

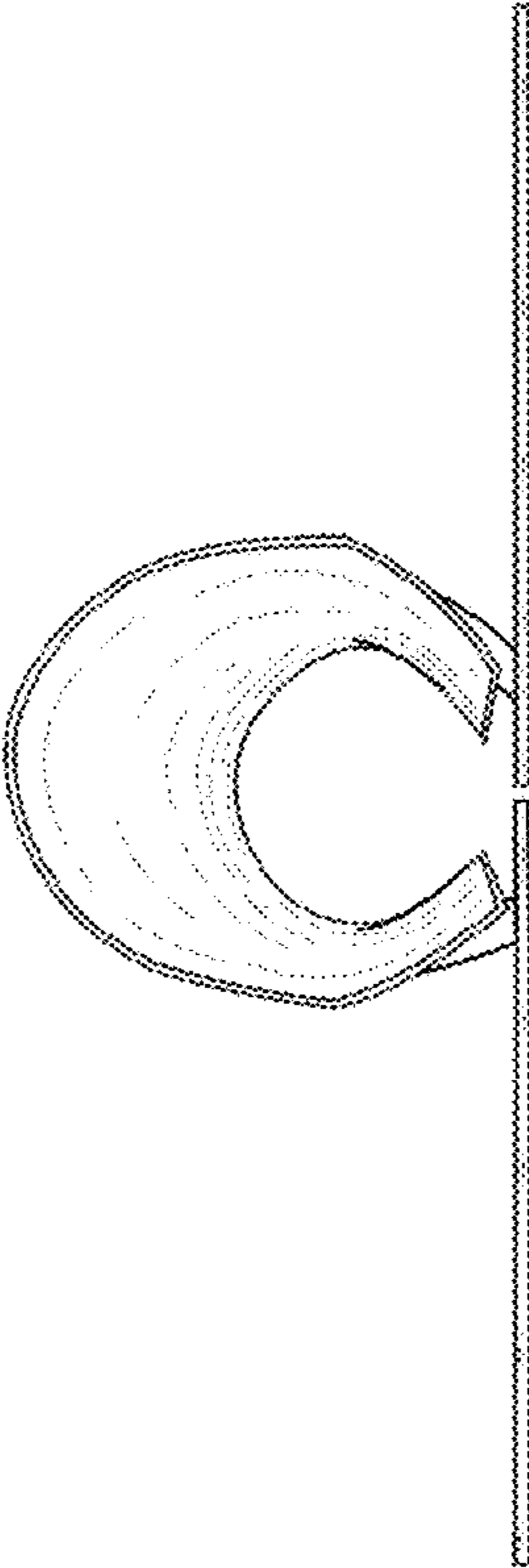


Fig 9

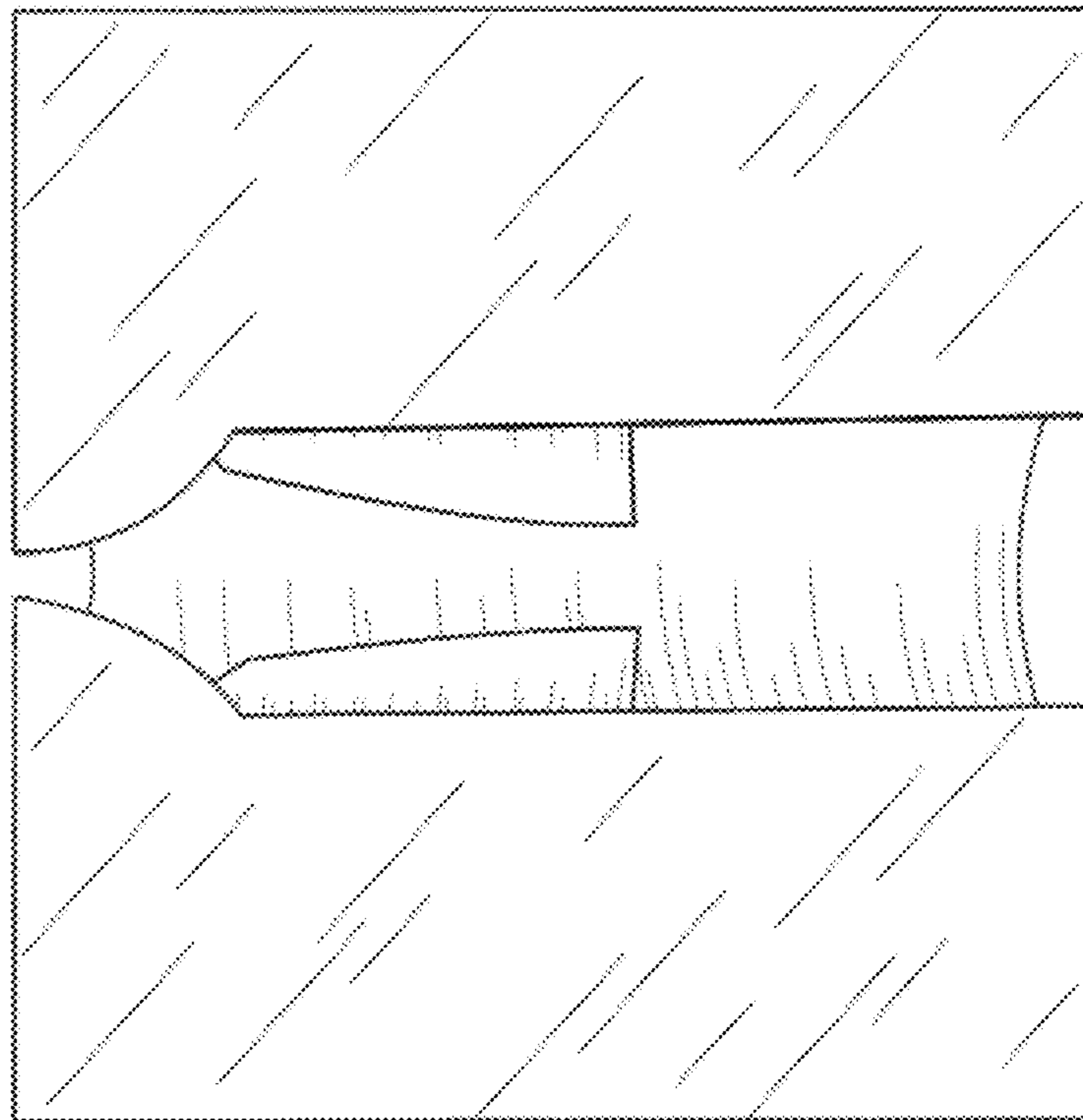


Fig 10

