

US00D867123S

(12) **United States Design Patent** (10) **Patent No.:** **US D867,123 S**
Griswold (45) **Date of Patent:** **** Nov. 19, 2019**

(54) **DOOR RAIL END CAP**
(71) Applicant: **ASSA ABLOY Accessories and Door Controls Group, Inc.**, New Haven, CT (US)

(72) Inventor: **Lee Griswold**, Bethel, CT (US)

(73) Assignee: **ASSA ABLOY Accessories and Door Controls Group, Inc.**, New Haven, CT (US)

(**) Term: **15 Years**

(21) Appl. No.: **29/634,848**

(22) Filed: **Jan. 25, 2018**

(51) **LOC (12) Cl.** **08-09**

(52) **U.S. Cl.**
USPC **D8/400; D25/48.3**

(58) **Field of Classification Search**
USPC D8/349, 350, 351, 353, 369, 376, 378, D8/382, 402, 403, 499; D25/48.1, 48.3, D25/55, 60, 126, 135, 199
CPC E01F 15/083; E01F 15/088; E04B 1/2604; E04B 5/12; E04B 5/14; E04B 1/2612; E04C 3/125; E06B 1/705; E06B 2009/1583

See application file for complete search history.

(56) **References Cited**

U.S. PATENT DOCUMENTS

- D313,170 S * 12/1990 Nye D8/382
- D411,441 S * 6/1999 Bouquot D8/400
- D421,147 S * 2/2000 Herst D26/113
- D503,058 S * 3/2005 Loewenthal D6/718
- D535,035 S * 1/2007 Ohanesian D25/135
- D644,784 S * 9/2011 Monteix D26/138
- D668,930 S * 10/2012 Tien D8/343
- D753,412 S * 4/2016 Anderson D6/580

2007/0119108 A1* 5/2007 Downard E04B 1/2604 52/289
2007/0193148 A1* 8/2007 Simko E06B 1/705 52/300
2018/0327986 A1* 11/2018 Cook E01F 15/083

FOREIGN PATENT DOCUMENTS

JP D1087350 * 10/2000
JP D1448452 * 8/2012

OTHER PUBLICATIONS

ASSAABLOY_GlassSolutions_Catalog <https://www.assaabloylibrary.us/glassolutions/ASSA-ABLOY-Glass-Solutions-Full-Line-Catalog/> 1/ Jul. 12, 2017 (Year: 2017).*

(Continued)

Primary Examiner — Leanne Was-Englehart
(74) *Attorney, Agent, or Firm* — Wolf, Greenfield & Sacks, P.C.

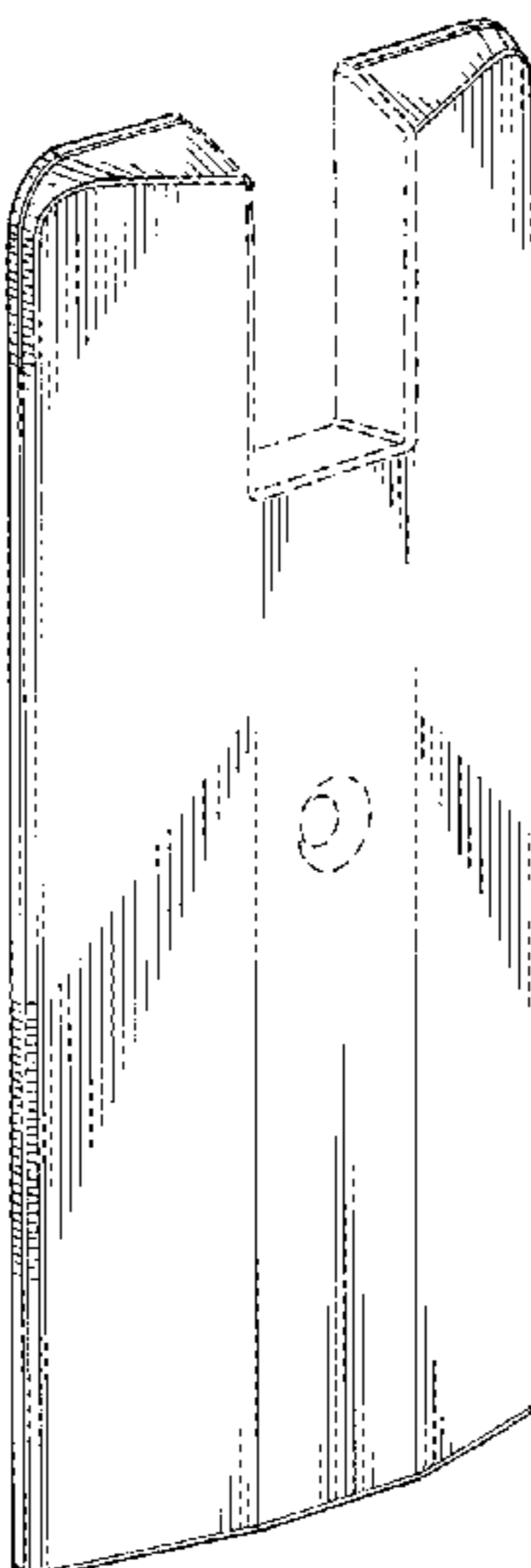
(57) **CLAIM**

The ornamental design for a door rail end cap, as shown and described.

DESCRIPTION

FIG. 1 is a top, front, left side perspective view of a door rail end cap;
FIG. 2 is a front elevation view of FIG. 1;
FIG. 3 is a rear elevation view of FIG. 1;
FIG. 4 is a left side elevation view of FIG. 1;
FIG. 5 is a right side elevation view of FIG. 1;
FIG. 6 is a top plan view of FIG. 1;
FIG. 7 is a bottom plan view of FIG. 1; and,
FIG. 8 is a top, front, left side perspective view of the door rail end cap shown in an environment of use.
The broken lines shown in FIGS. 1-7 illustrate portions of the door rail end cap that form no part of the claimed design. The additional broken lines shown in FIG. 8 illustrate environment that forms no part of the claimed design.

1 Claim, 4 Drawing Sheets



(56)

References Cited

OTHER PUBLICATIONS

Assa-Abloy-Glass-Solutions-Price-Book <https://accesshardware.com/wp-content/uploads/2017/07/Assa-Abloy-Glass-Solutions-Price-Book.pdf> Jul. 2017 (Year: 2017).*

Door Rails ASSA ABLOY <https://www.assaabloyglass.us/en/local/assaabloyglassus/products/door-rails/> Sep. 3, 2017 (Year: 2017).*

DRS Rail (sidelites) 0416.indd <https://www.dormakaba.com/resource/blob/194758/00a5abed79a09d07271065e567485ff7/934804-ins-drs-rail-sl-0416-pdf-data.pdf> Apr. 2016 (Year: 2016).*

* cited by examiner

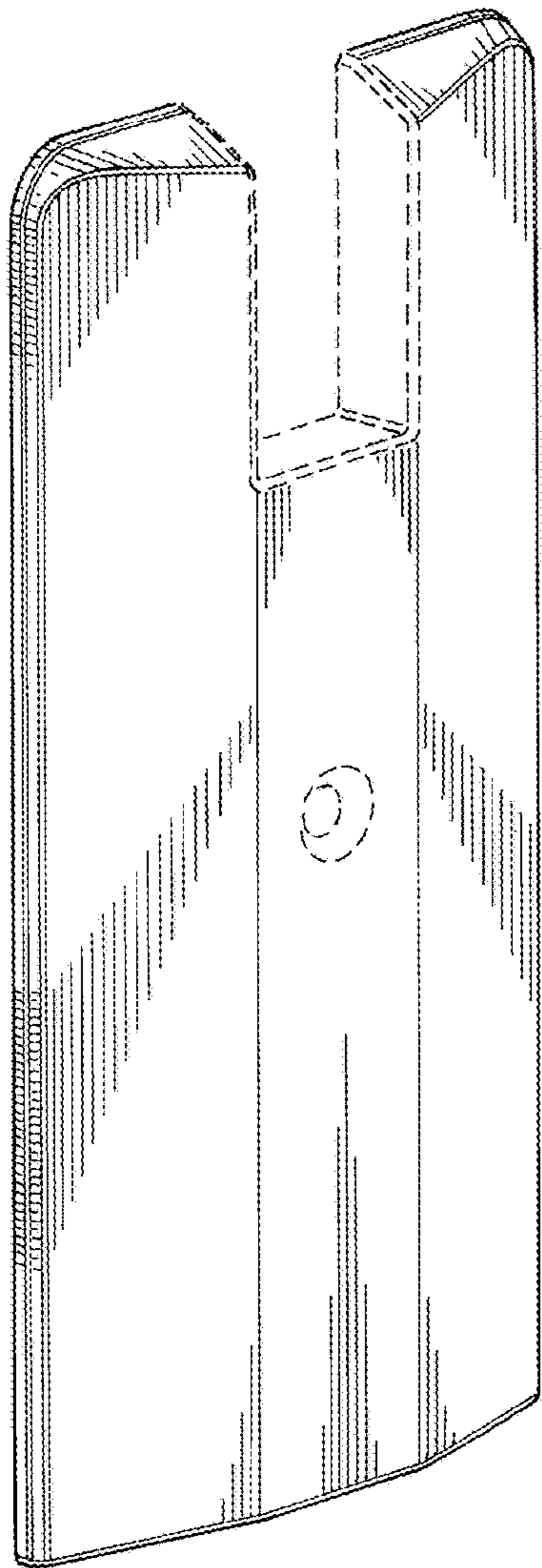


Fig. 1

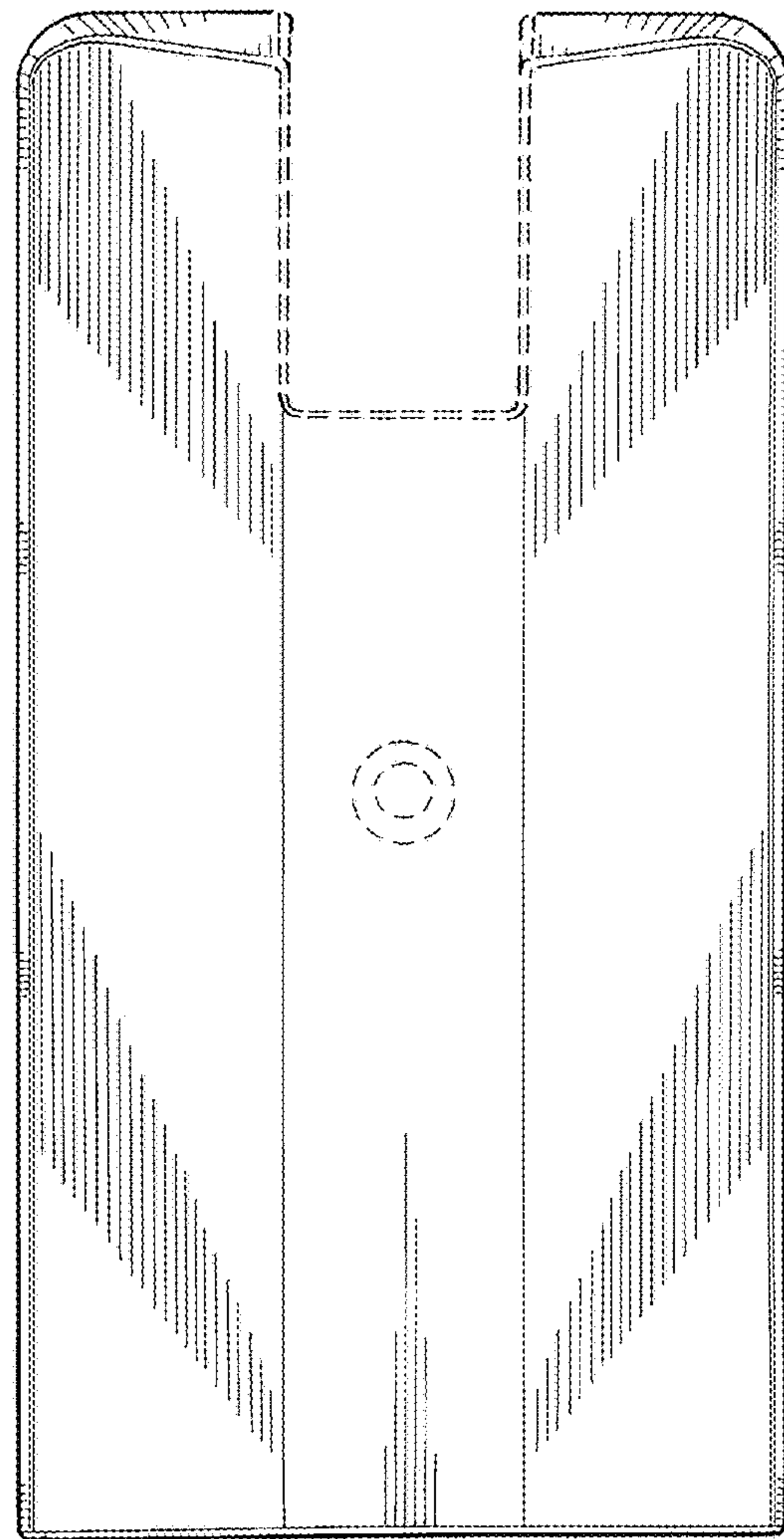


Fig. 2

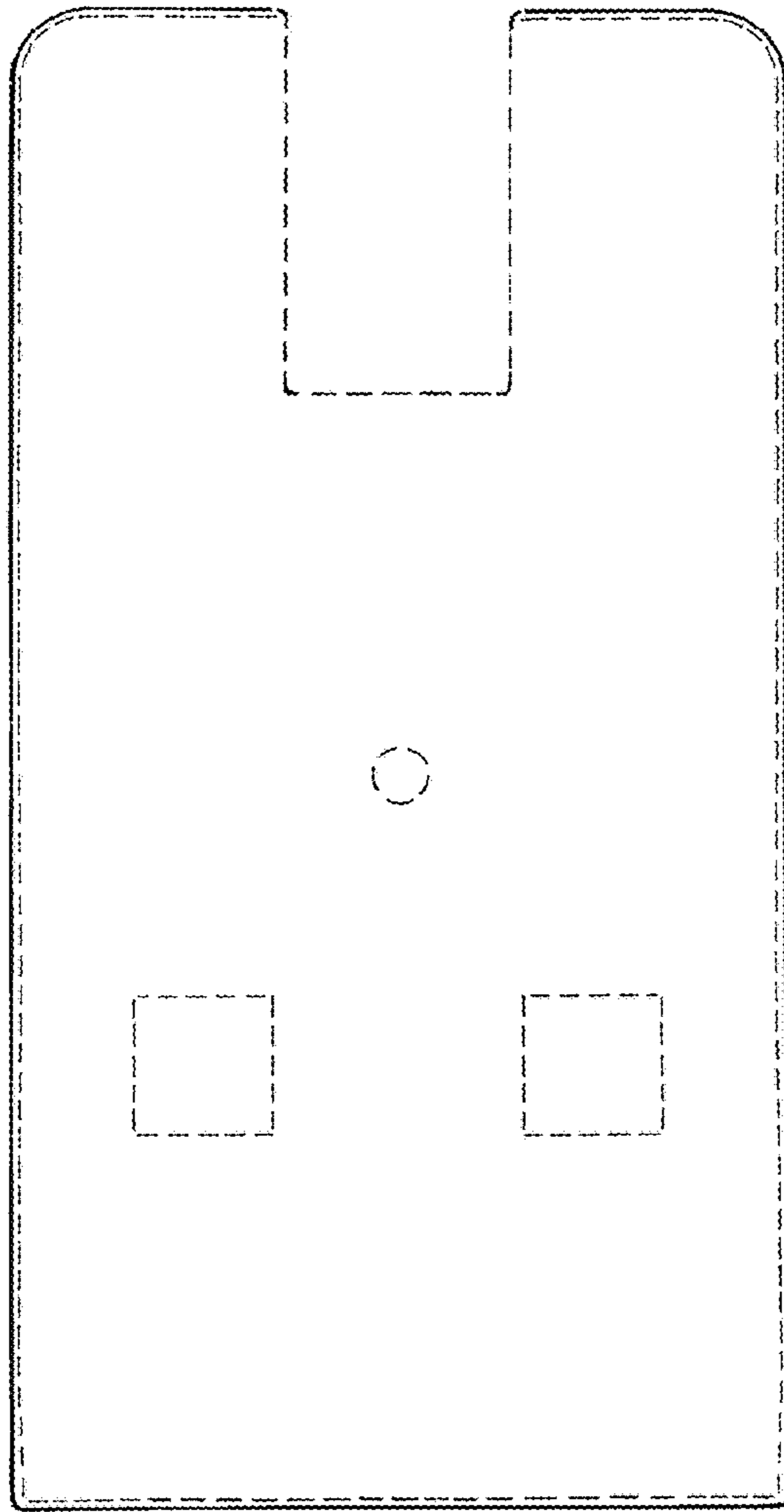


Fig. 3

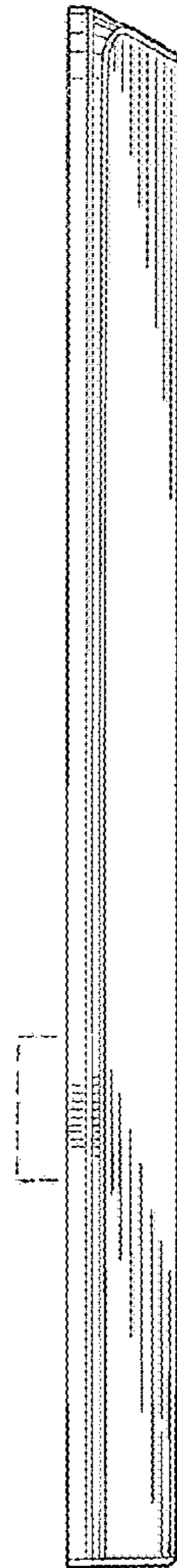


Fig. 4

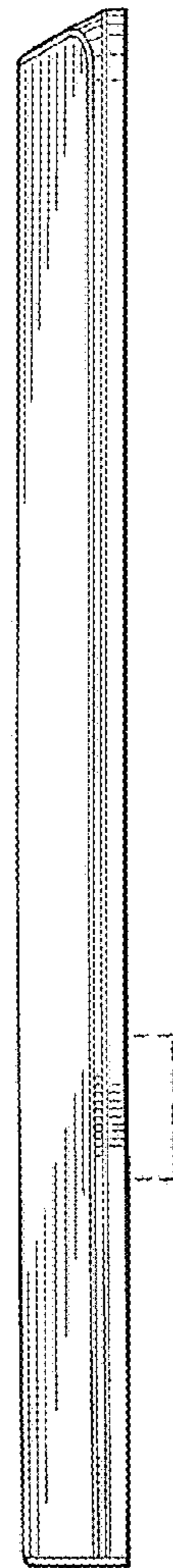


Fig. 5

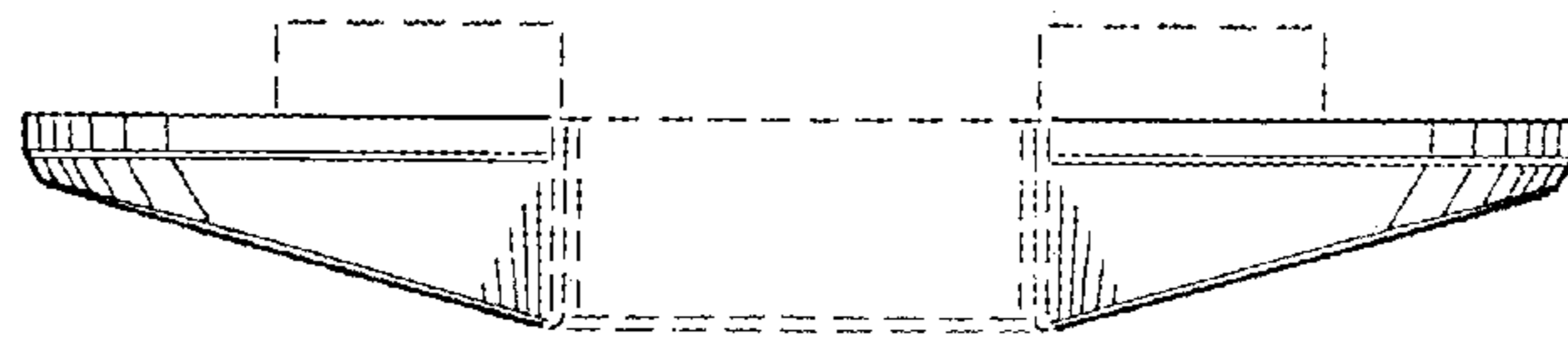


Fig. 6

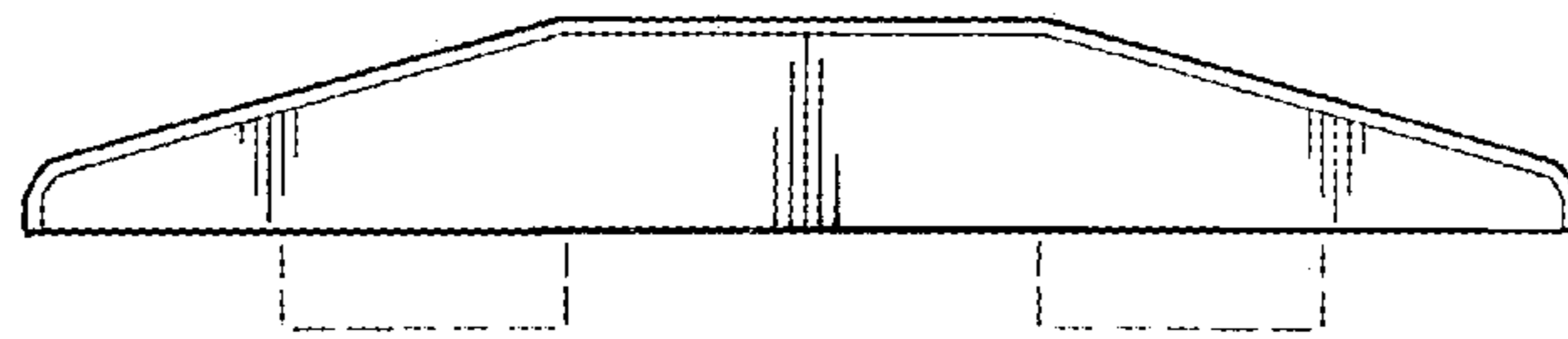


Fig. 7

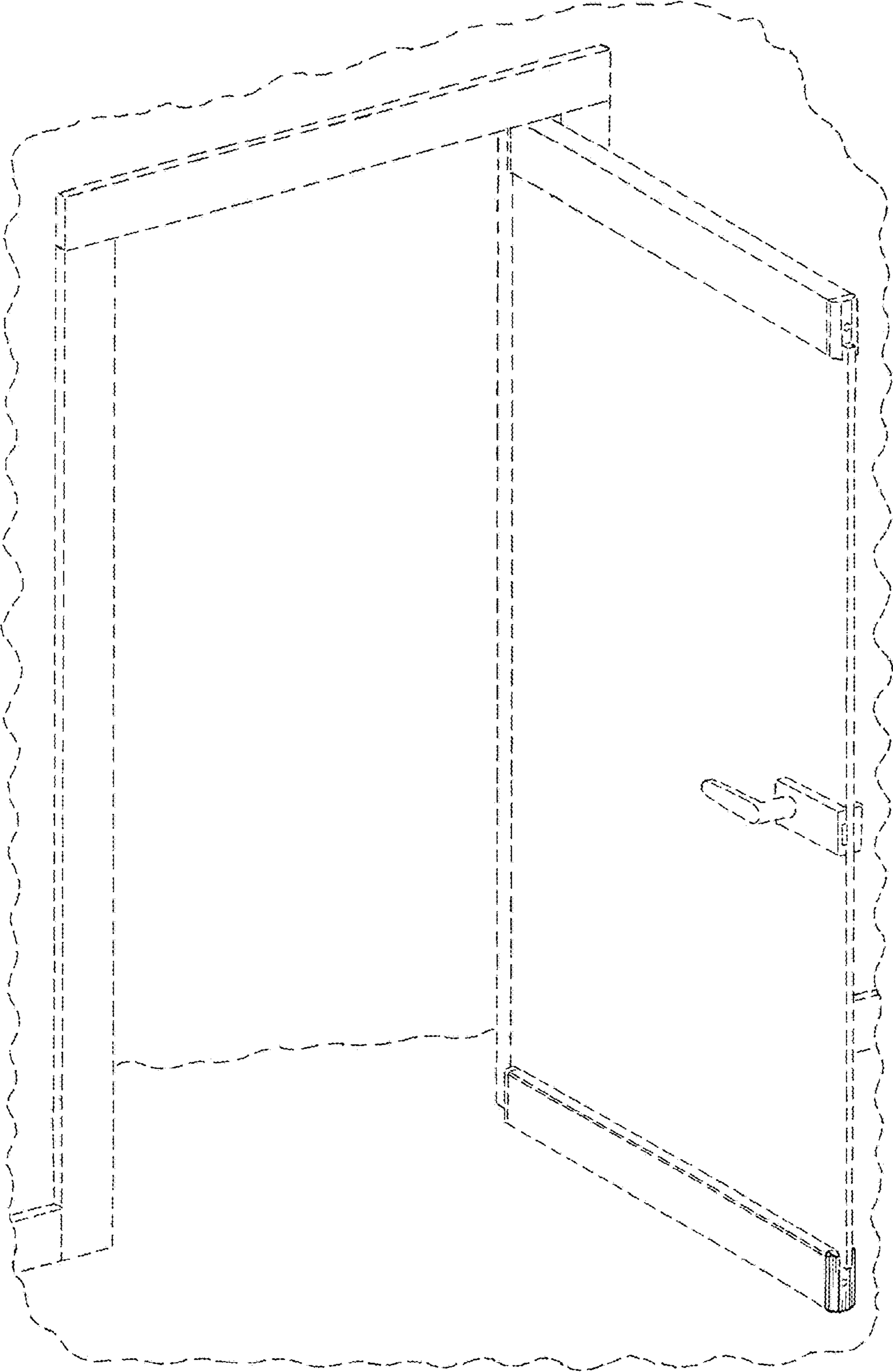


Fig. 8