

US00D867122S

(12) **United States Design Patent** (10) **Patent No.:** **US D867,122 S**  
**Jimenez** (45) **Date of Patent:** **\*\* Nov. 19, 2019**

(54) **ROOF TILE CLIP**  
(71) Applicant: **Israel Jimenez**, Clearwater, FL (US)  
(72) Inventor: **Israel Jimenez**, Clearwater, FL (US)  
(\*\*) Term: **15 Years**  
(21) Appl. No.: **29/646,285**  
(22) Filed: **May 3, 2018**  
(51) **LOC (12) Cl.** ..... **08-08**  
(52) **U.S. Cl.**  
USPC ..... **D8/395**  
(58) **Field of Classification Search**  
USPC ..... D8/349, 354, 370, 382, 394, 395, 396,  
D8/499  
CPC ..... E04D 1/34; E04D 2001/3414; E04D  
2001/3416; E04D 2001/3473; E04D  
2001/3411; E04D 2001/3458; Y10T  
24/44; Y10T 24/44983  
See application file for complete search history.

(56) **References Cited**  
U.S. PATENT DOCUMENTS  
1,468,884 A \* 9/1923 Schneider ..... D06F 55/00  
24/500  
1,491,941 A \* 4/1924 Wood ..... D06F 55/02  
24/500  
1,817,743 A \* 8/1931 Figge ..... E04D 1/34  
52/548  
1,963,538 A \* 6/1934 Wareing ..... D06F 53/005  
24/545  
1,974,372 A \* 9/1934 Taylor, Sr. .... E04D 1/34  
52/547

(Continued)

FOREIGN PATENT DOCUMENTS  
EP 683285 4/1999

*Primary Examiner* — John Windmuller  
*Assistant Examiner* — Steven J Czyz  
(74) *Attorney, Agent, or Firm* — Maxey-Fisher, PLLC;  
Brittany J. Maxey-Fisher

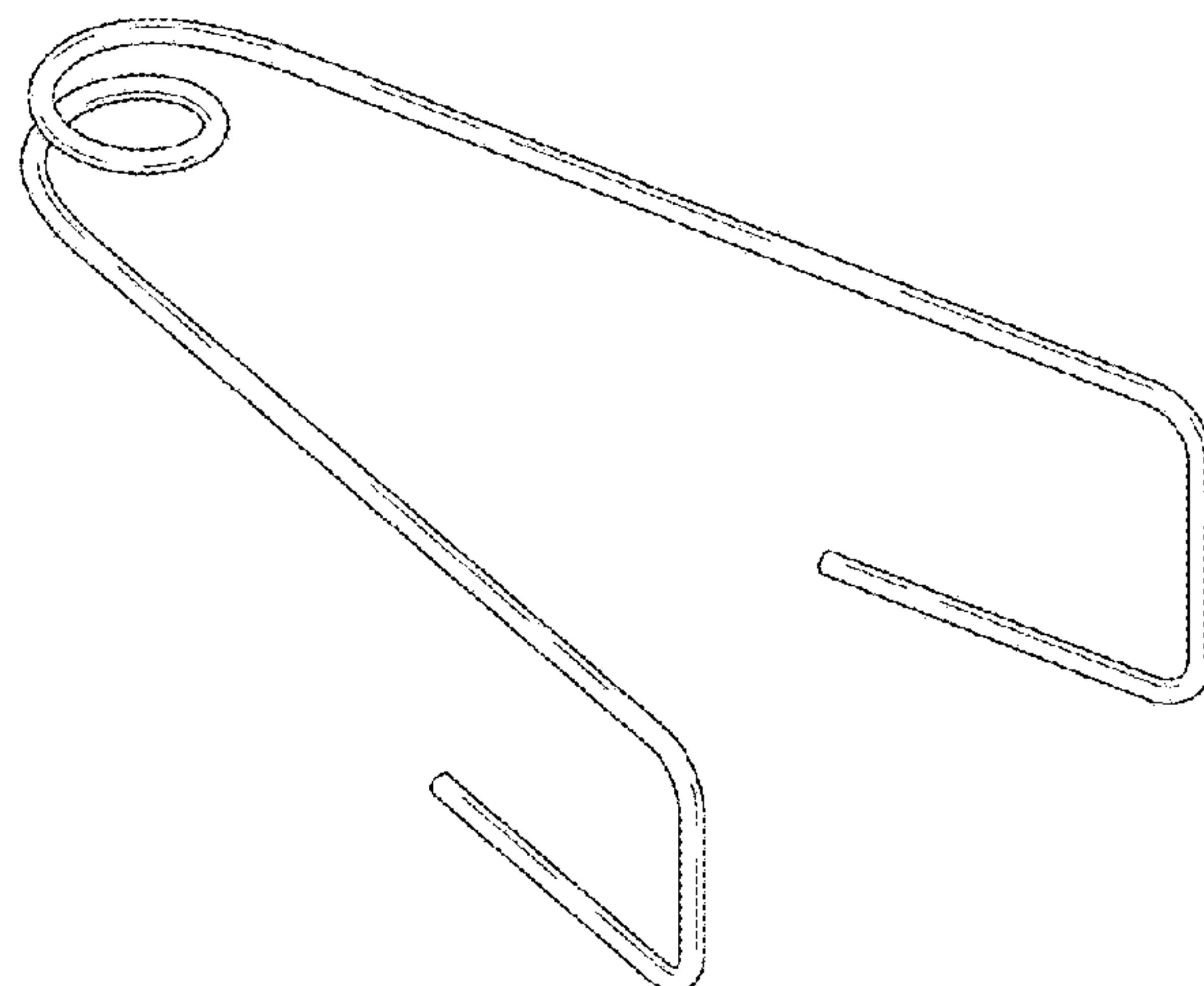
(57) **CLAIM**

The ornamental design for a roof tile clip, as shown and described.

**DESCRIPTION**

FIG. 1 is a first perspective view of a roof tile clip according to a first embodiment of the present invention;  
FIG. 2 is a second perspective view of the roof tile clip of FIG. 1;  
FIG. 3 is a top plan view of the roof tile clip of FIG. 1;  
FIG. 4 is a bottom plan view of the roof tile clip of FIG. 1;  
FIG. 5 is a first side elevation view of the roof tile clip of FIG. 1;  
FIG. 6 is a second side elevation view of the roof tile clip of FIG. 1;  
FIG. 7 is a front elevation view of the roof tile clip of FIG. 1;  
FIG. 8 is a back elevation view of the roof tile clip of FIG. 1;  
FIG. 9 is a first perspective view of a roof tile clip according to a second embodiment of the present invention;  
FIG. 10 is a second perspective view of the roof tile clip of FIG. 9;  
FIG. 11 is a top plan view of the roof tile clip of FIG. 9;  
FIG. 12 is a bottom plan view of the roof tile clip of FIG. 9;  
FIG. 13 is a first side elevation view of the roof tile clip FIG. 9;  
FIG. 14 is a second side elevation view of the roof tile clip of FIG. 9;  
FIG. 15 is a front elevation view of the roof tile clip of FIG. 9; and,  
FIG. 16 is a back elevation view of the roof tile clip of FIG. 9.

**1 Claim, 8 Drawing Sheets**



# US D867,122 S

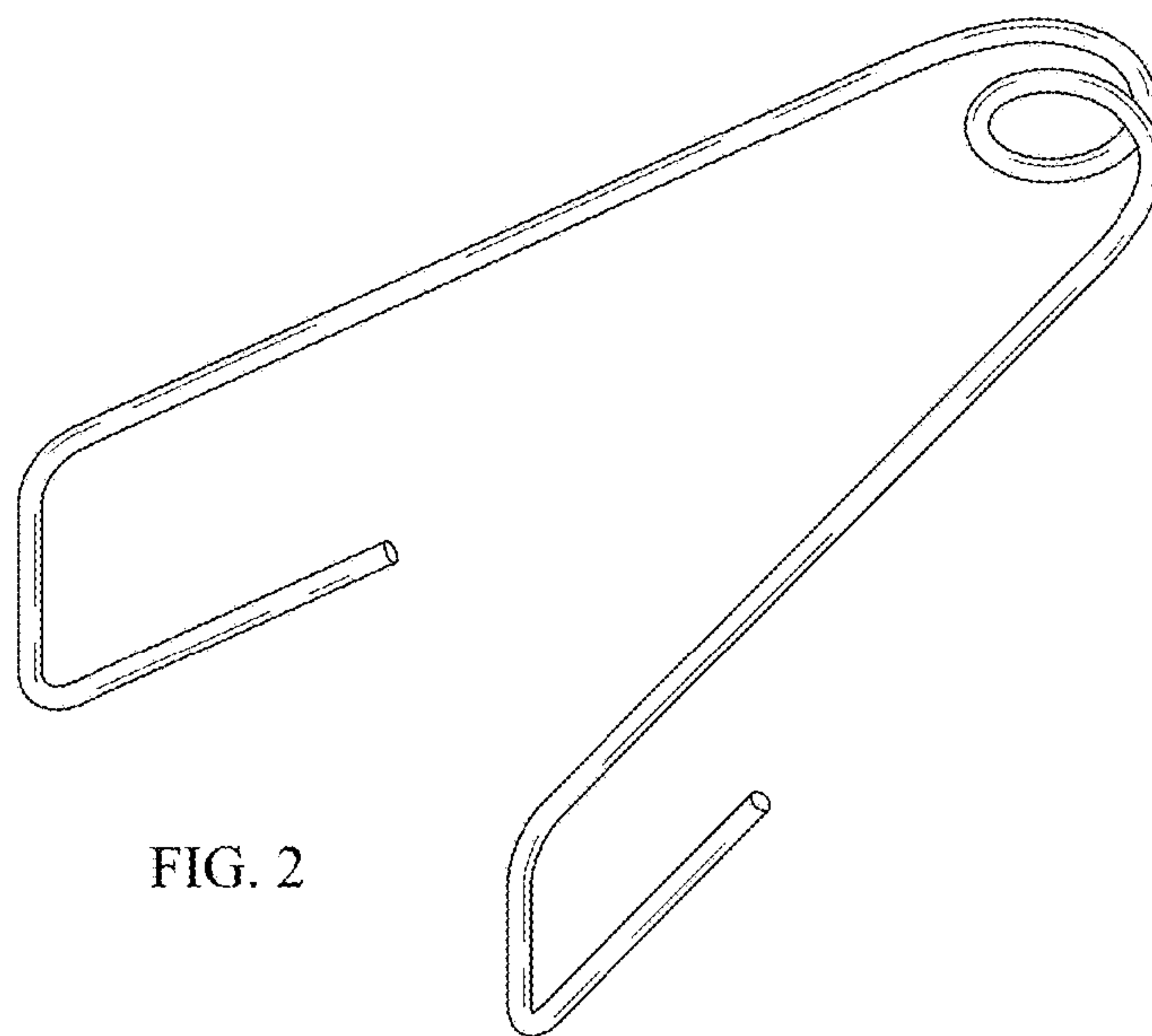
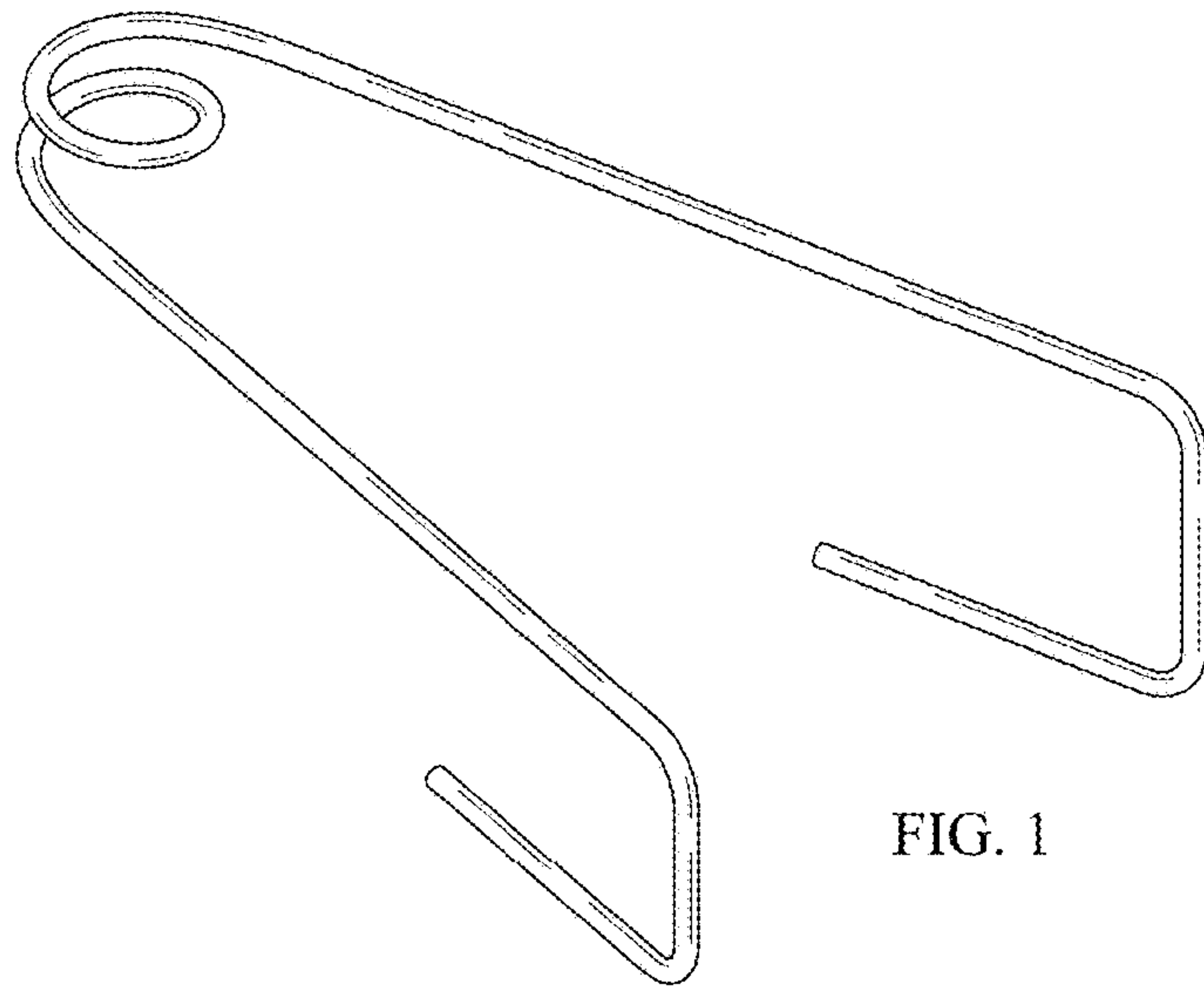
(56)

## References Cited

### U.S. PATENT DOCUMENTS

2,025,983	A *	12/1935	Harrington .....	E04D 1/045 52/543			
2,102,648	A	2/1938	Harrington				
2,402,318	A *	6/1946	Edwards .....	E04D 1/34 217/89			
2,466,284	A *	4/1949	Stinne .....	D06F 55/00 24/500			
2,588,673	A *	3/1952	Tyson .....	E04D 1/34 52/546			
2,593,201	A *	4/1952	Saunders .....	D06F 55/02 24/500			
3,855,753	A	12/1974	Terry				
4,024,685	A	5/1977	Otarons				
4,141,191	A	2/1979	Aarons				
D253,578	S *	12/1979	Fournier .....	D11/215			
4,182,090	A *	1/1980	Aarons .....	E04D 1/34 52/489.1			
D255,324	S *	6/1980	Pierce .....	D8/354			
D258,138	S *	2/1981	Wood .....	D8/370			
4,314,433	A *	2/1982	Hulcombe .....	E04D 1/34 52/521			
4,422,278	A *	12/1983	Fujihiro .....	E04D 12/004 52/478			
D293,204	S *	12/1987	Trubiano .....	248/303			
D300,804	S *	4/1989	Myers .....	D34/5			
D312,035	S *	11/1990	Carlson .....	D8/349			
D312,036	S *	11/1990	Carlson .....	D8/349			
D312,037	S *	11/1990	Carlson .....	D8/349			
4,989,388	A *	2/1991	Schmidgall .....	E04C 5/168 52/649.8			
5,077,952	A *	1/1992	Moore .....	E04D 1/34 52/489.1			
5,079,889	A *	1/1992	Wright .....	E04D 1/34 52/541			
D330,846	S *	11/1992	Woolledge .....	D8/354			
5,297,383	A	3/1994	Mackay				
D355,991	S *	3/1995	Helm .....	D34/6			
5,533,313	A *	7/1996	Pike .....	E04D 1/34 52/712			
D385,303	S *	10/1997	Anders .....	D19/65			
D389,049	S *	1/1998	Kalat .....	D8/382			
5,722,212	A *	3/1998	Struve .....	E04D 1/34 52/489.1			
5,743,059	A *	4/1998	Fifield .....	B28B 7/0064 52/519			
D396,371	S *	7/1998	Oliver .....	D6/552			
5,885,024	A *	3/1999	Zupan .....	E04D 1/34 248/300			
D413,253	S *	8/1999	Kalat .....	D8/382			
D434,308	S *	11/2000	Kalat .....	D8/395			
D434,310	S *	11/2000	Kalat .....	D8/395			
D436,026	S *	1/2001	Luther, Sr. ....	D8/395			
D457,931	S *	5/2002	Kalat .....	D21/776			
D557,113	S *	12/2007	Anders, III .....	D8/354			
7,444,790	B2 *	11/2008	Hick .....	E04D 1/34 52/546			
D582,258	S *	12/2008	Ripley .....	D8/354			
D600,102	S *	9/2009	Larkin .....	D8/367			
D609,083	S *	2/2010	Zemanek .....	D8/395			
D650,655	S *	12/2011	Wester .....	D8/354			
D651,066	S *	12/2011	Johnson, III .....	D8/354			
D651,067	S *	12/2011	Johnson, III .....	D8/354			
D655,986	S *	3/2012	Schneider .....	D6/566			
D661,978	S *	6/2012	Holechek .....	D8/370			
8,312,685	B2 *	11/2012	Gibbs .....	E04D 1/34 52/547			
D699,556	S *	2/2014	Hendricks .....	D8/354			
D706,617	S *	6/2014	Hendricks .....	D8/354			
D745,378	S *	12/2015	Kusmirek .....	D8/370			
D753,988	S *	4/2016	Jiang .....	D8/370			
D757,527	S *	5/2016	Rawls-Meehan .....	D8/349			
D793,209	S *	8/2017	Galpchian .....	D8/349			
D800,537	S *	10/2017	Harris .....	D8/354			
2006/0179783	A1	8/2006	Hay				
2007/0094948	A1	5/2007	Osborne				
2008/0216442	A1	9/2008	Shubin				

\* cited by examiner



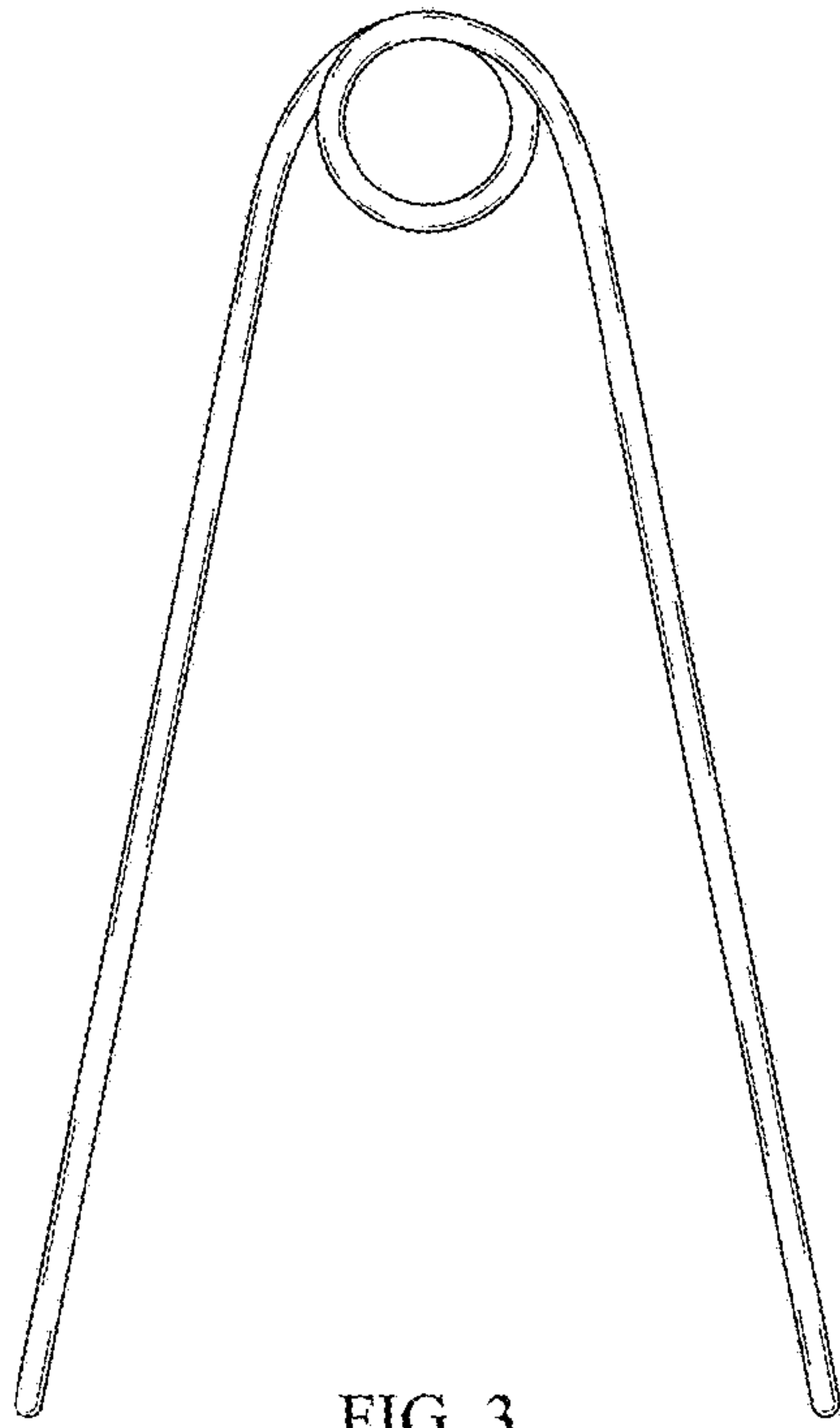


FIG. 3

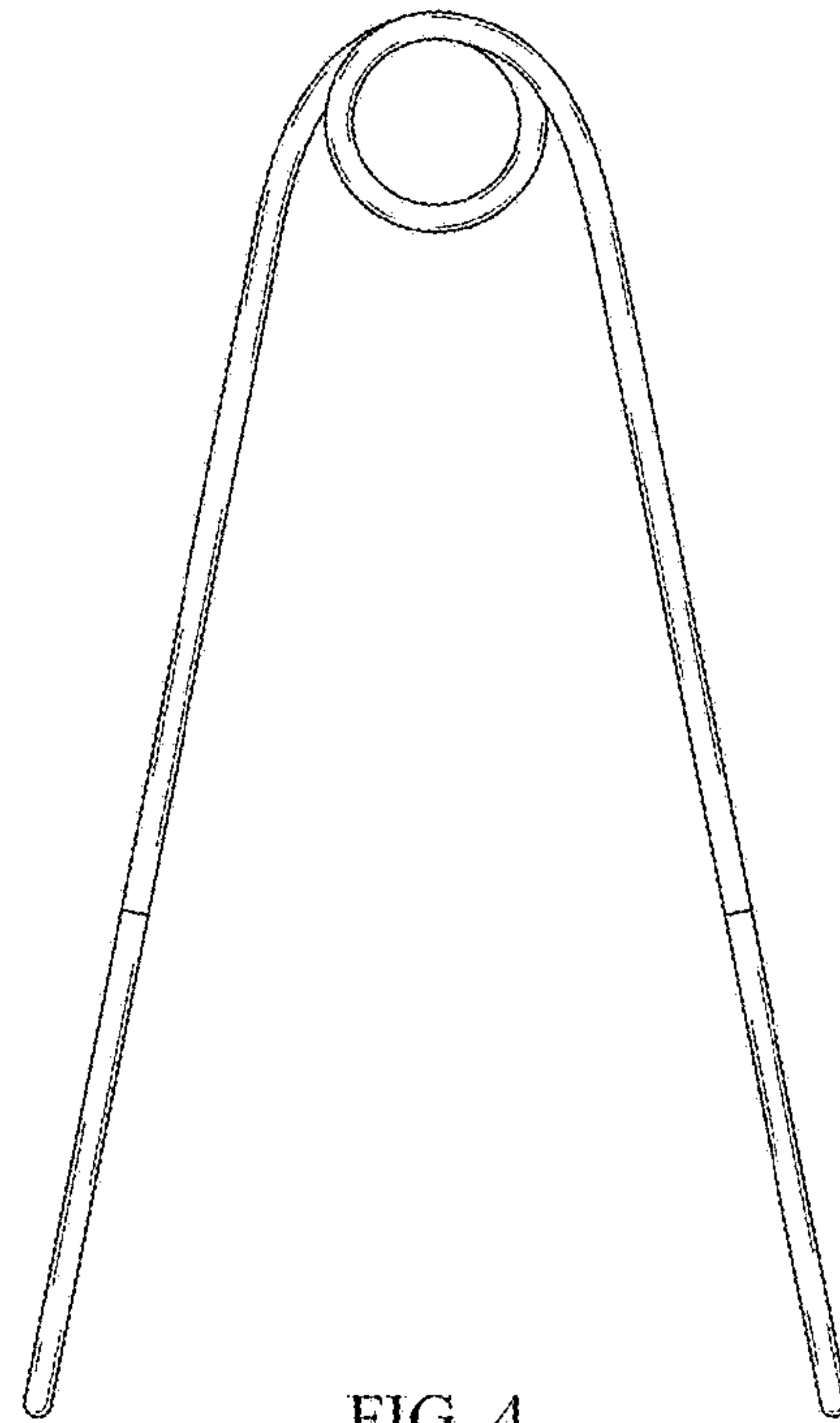


FIG. 4

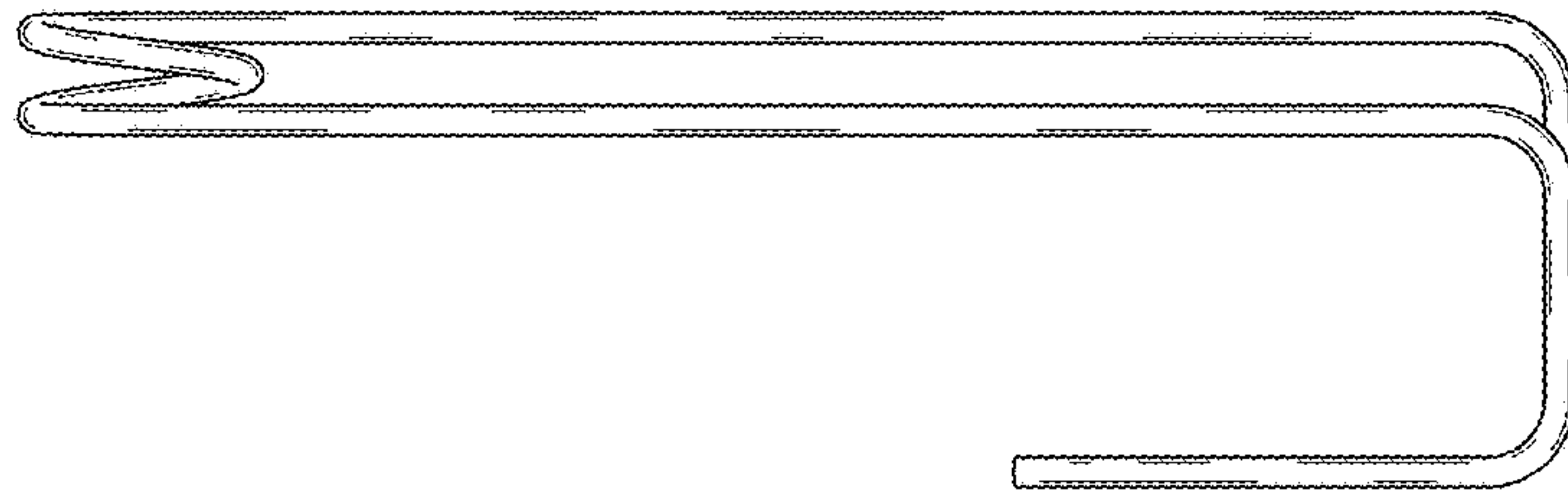


FIG. 5

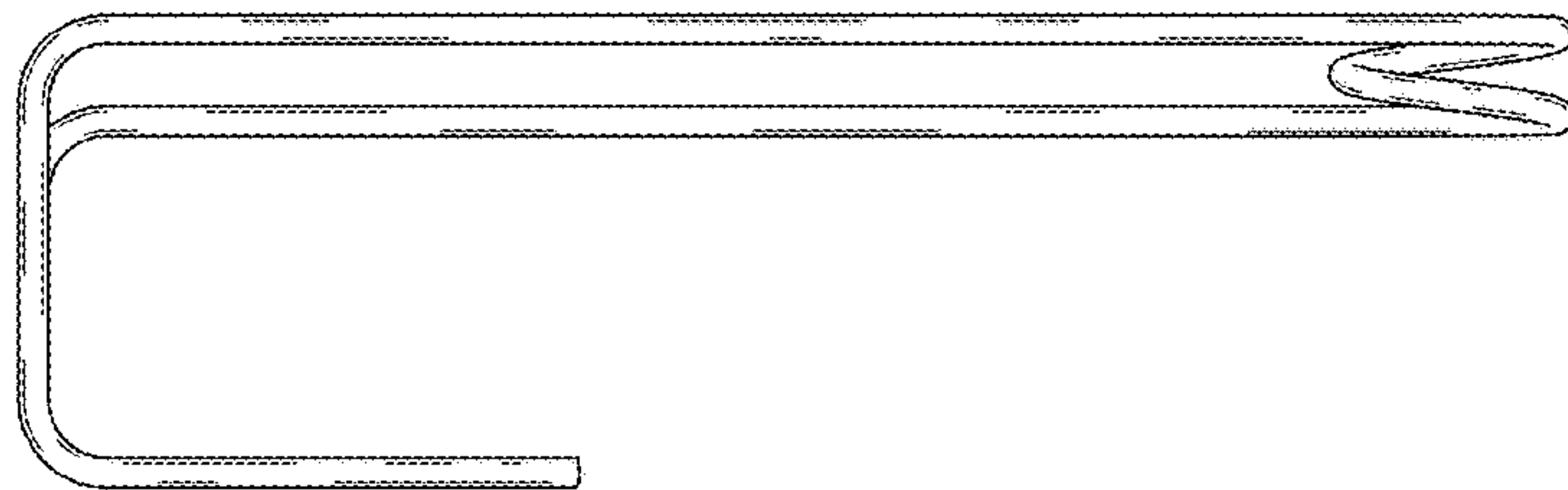


FIG. 6



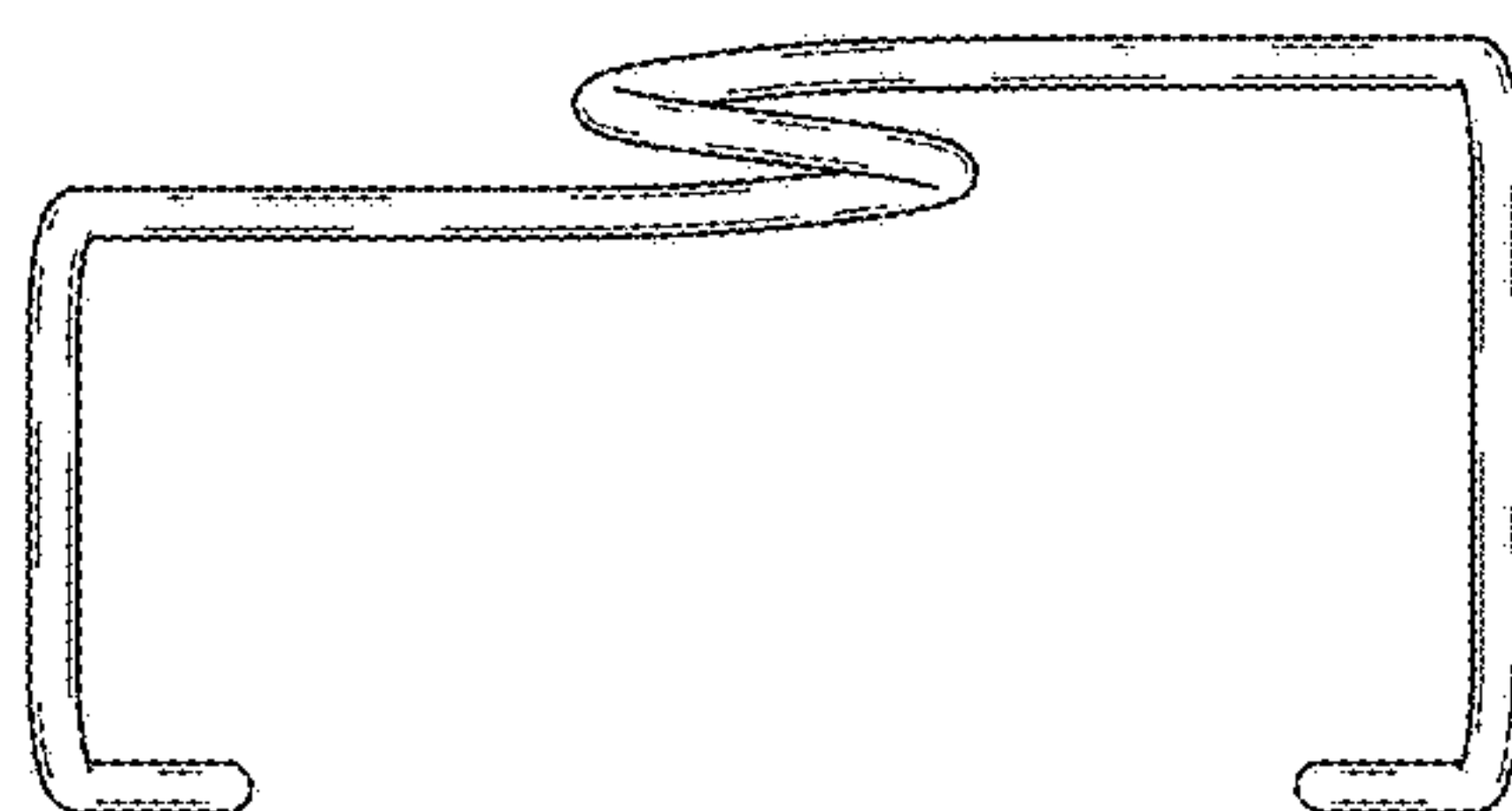


FIG. 7

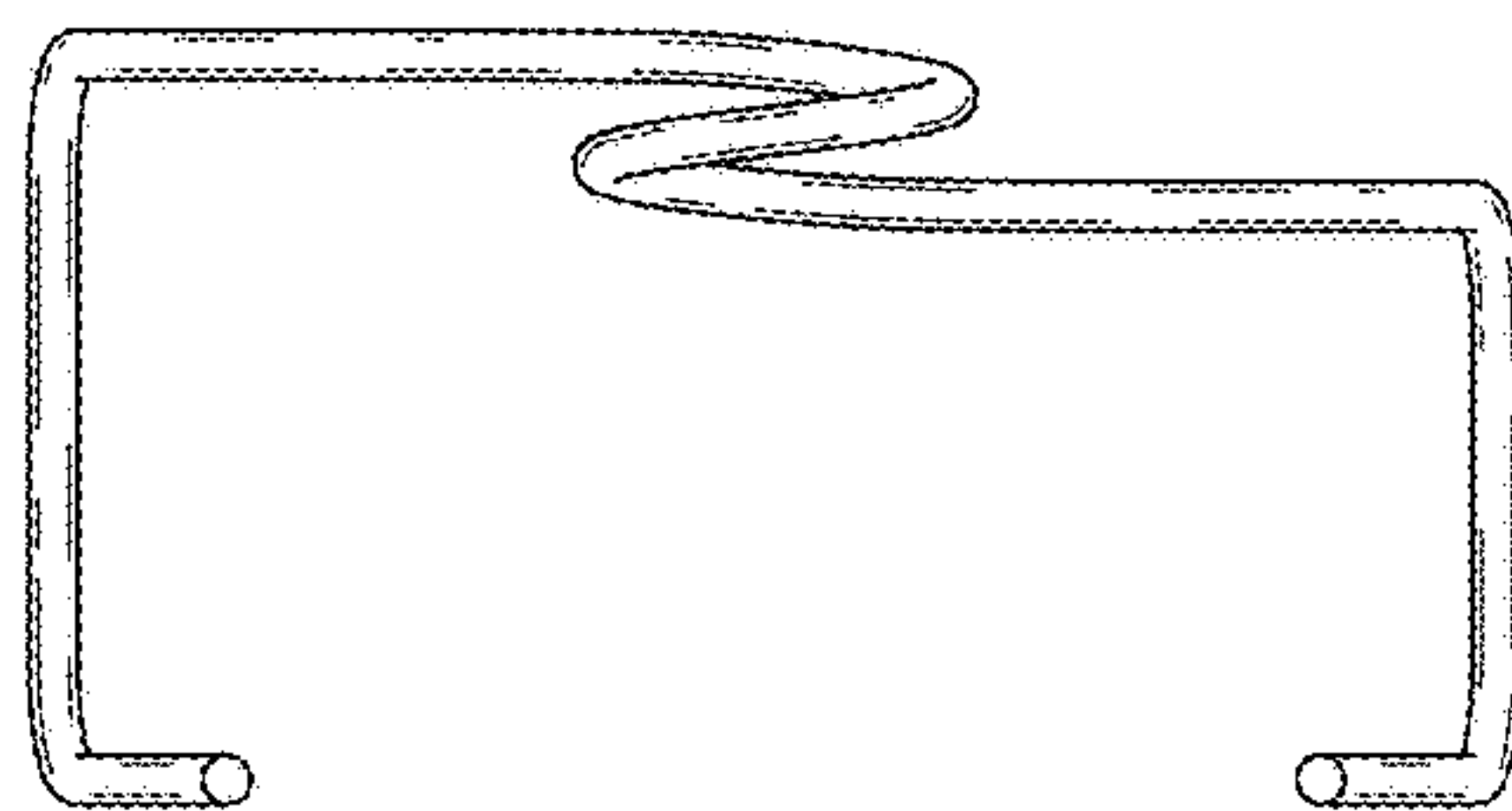


FIG. 8

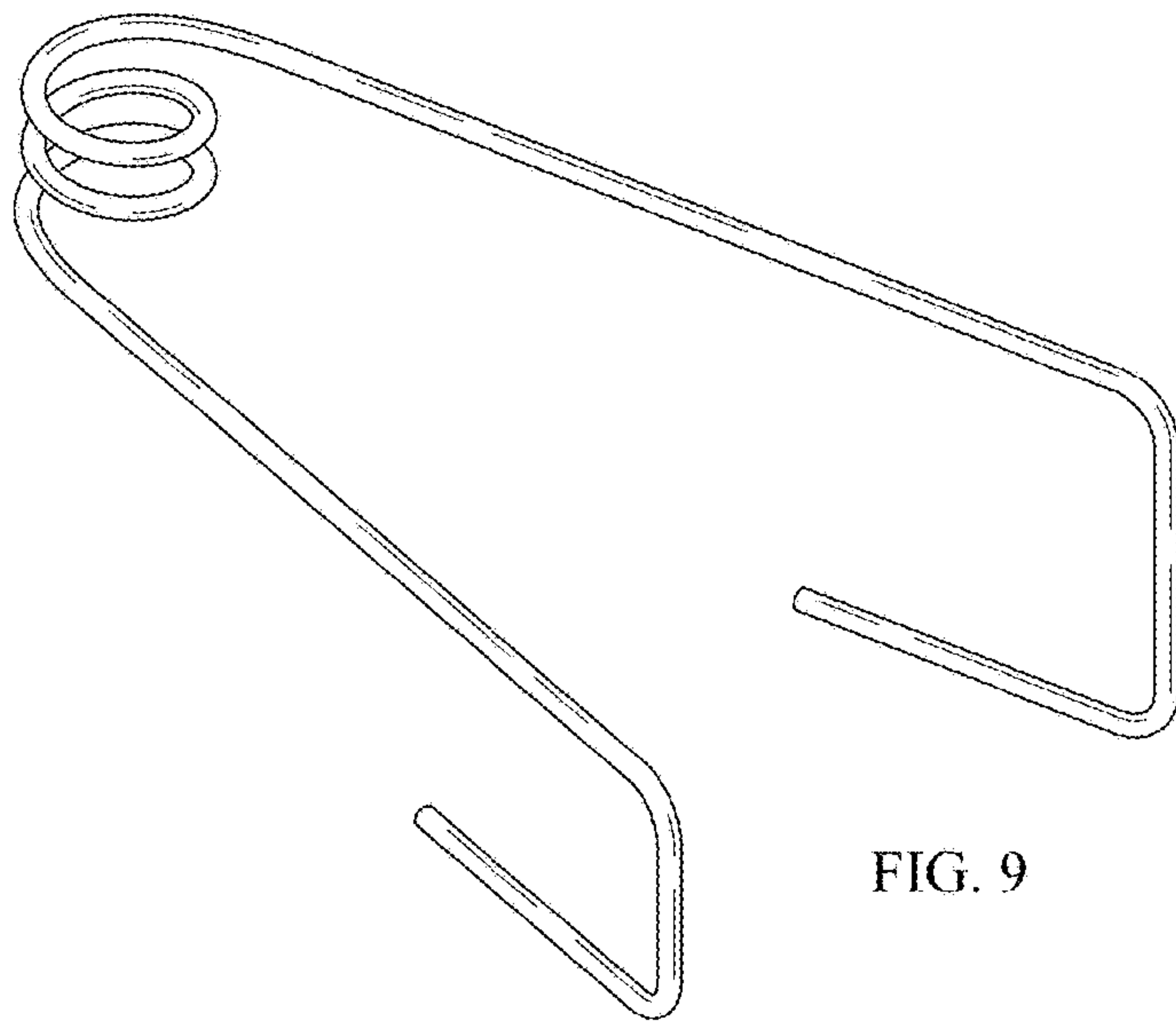


FIG. 9

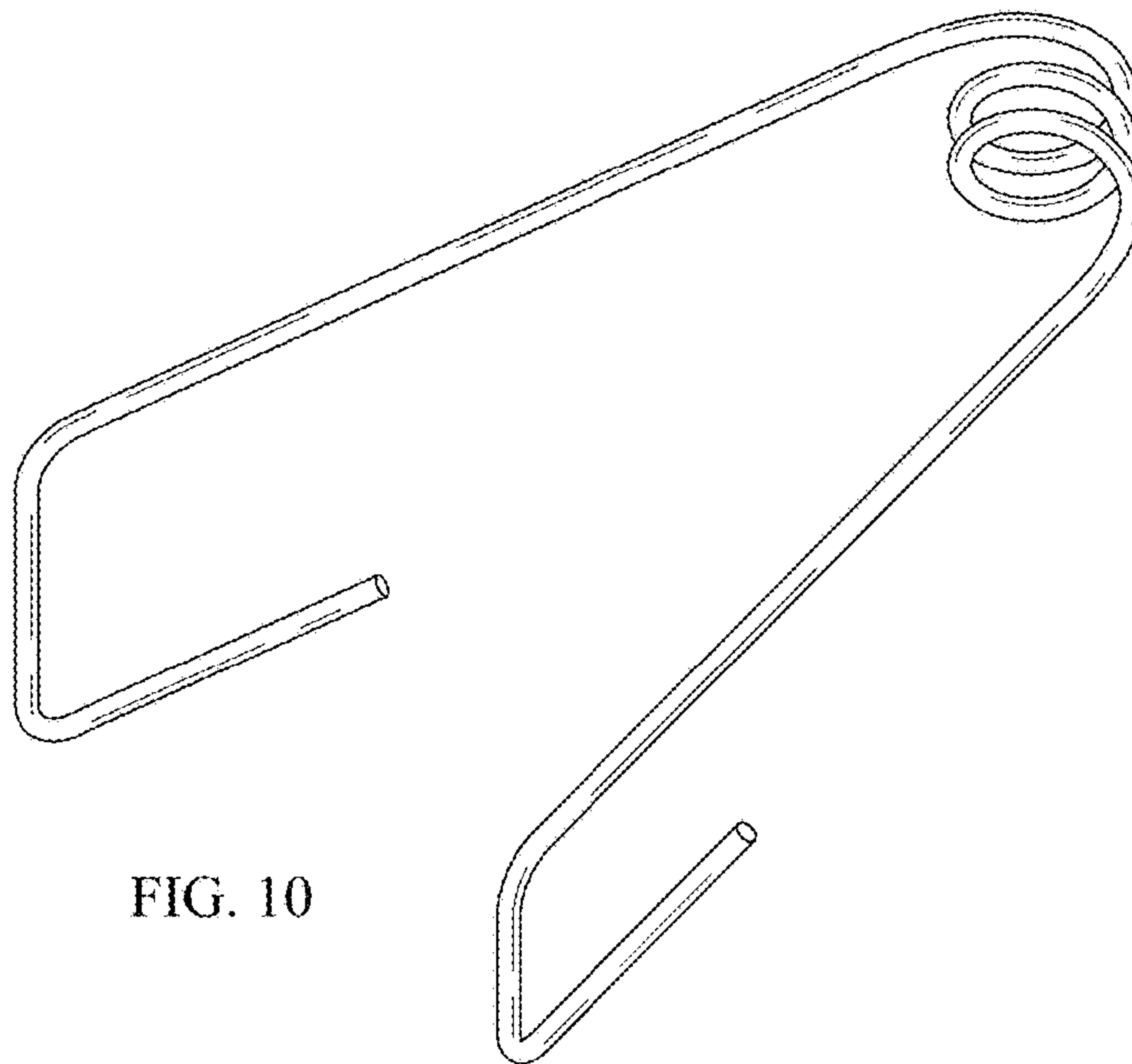


FIG. 10

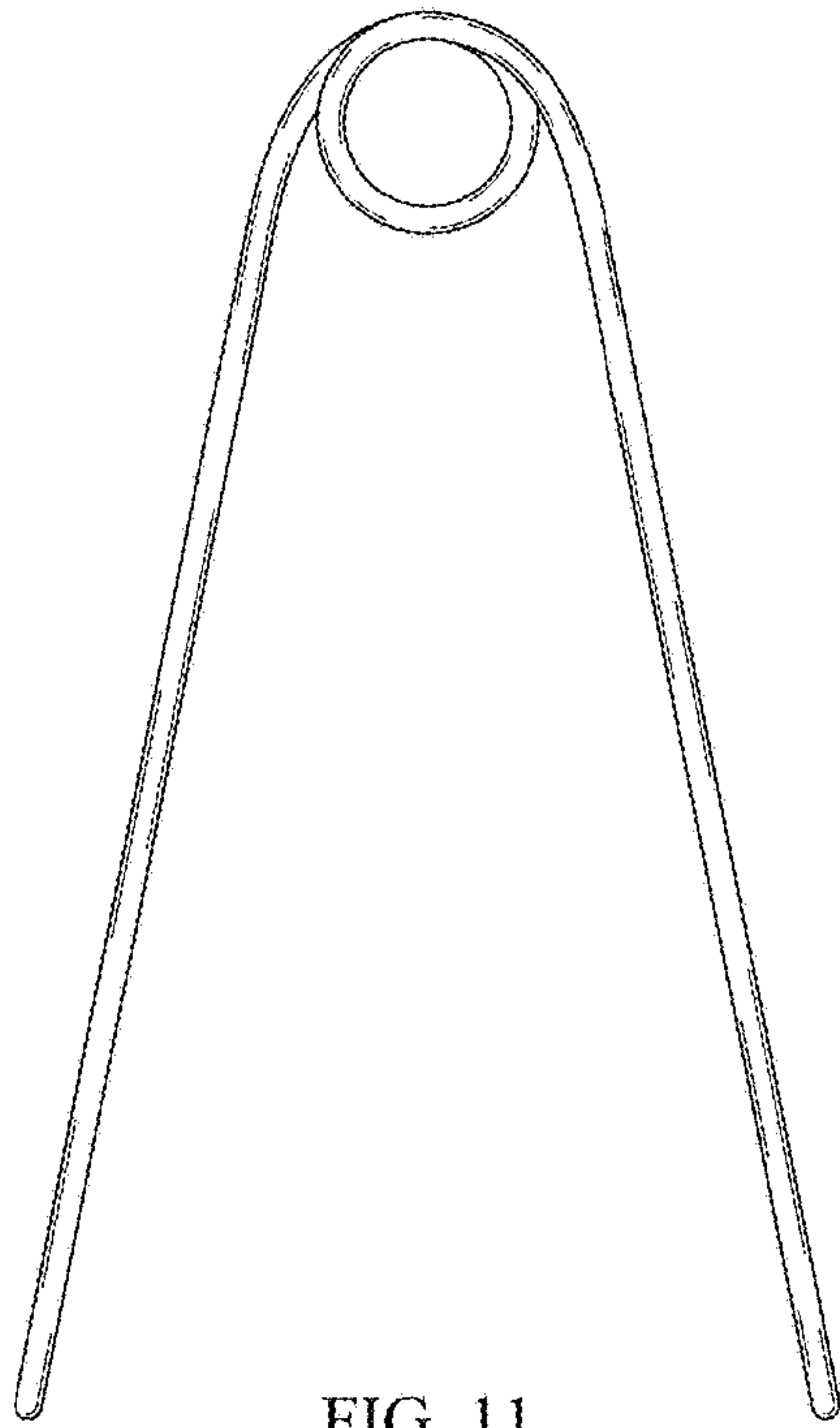


FIG. 11

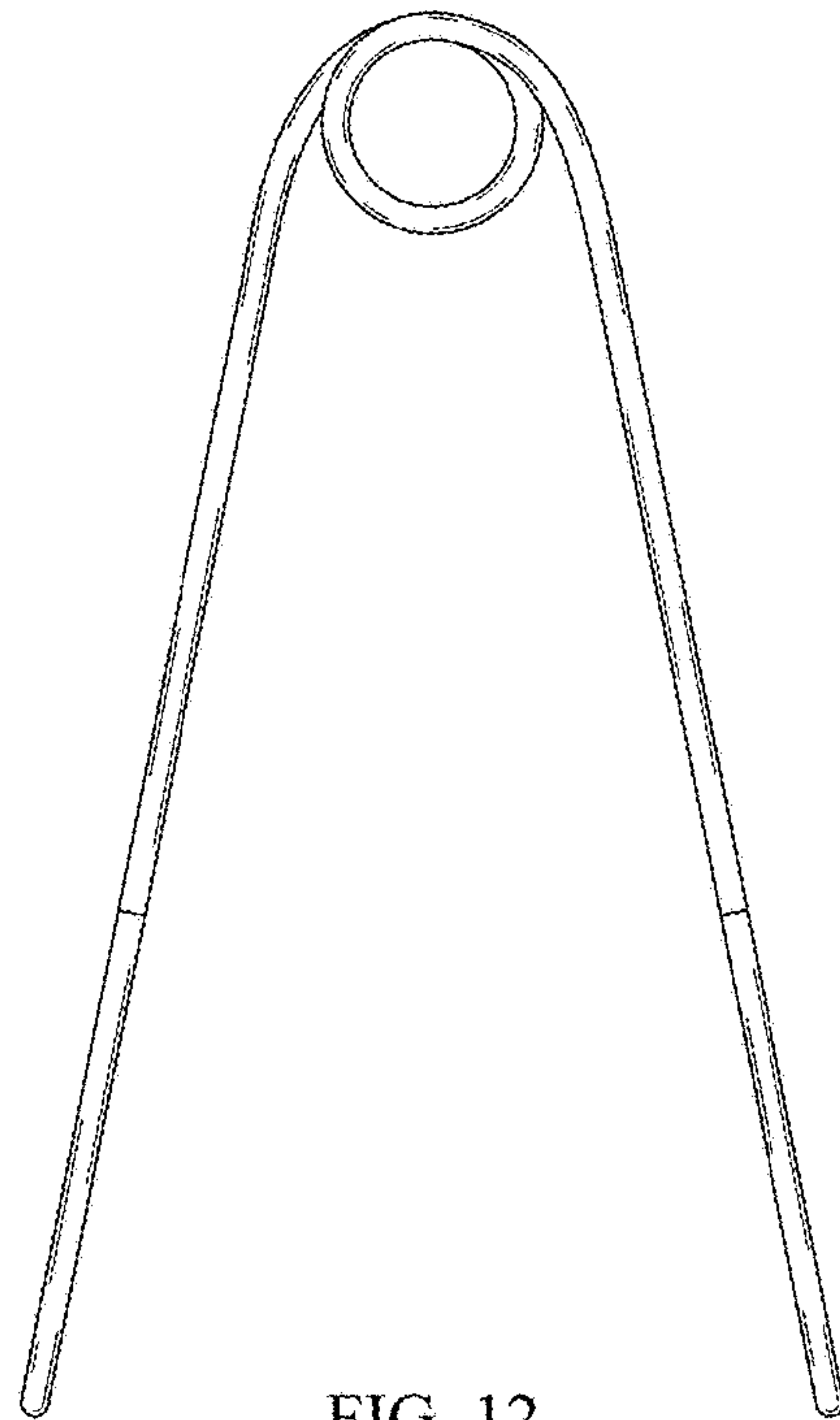


FIG. 12



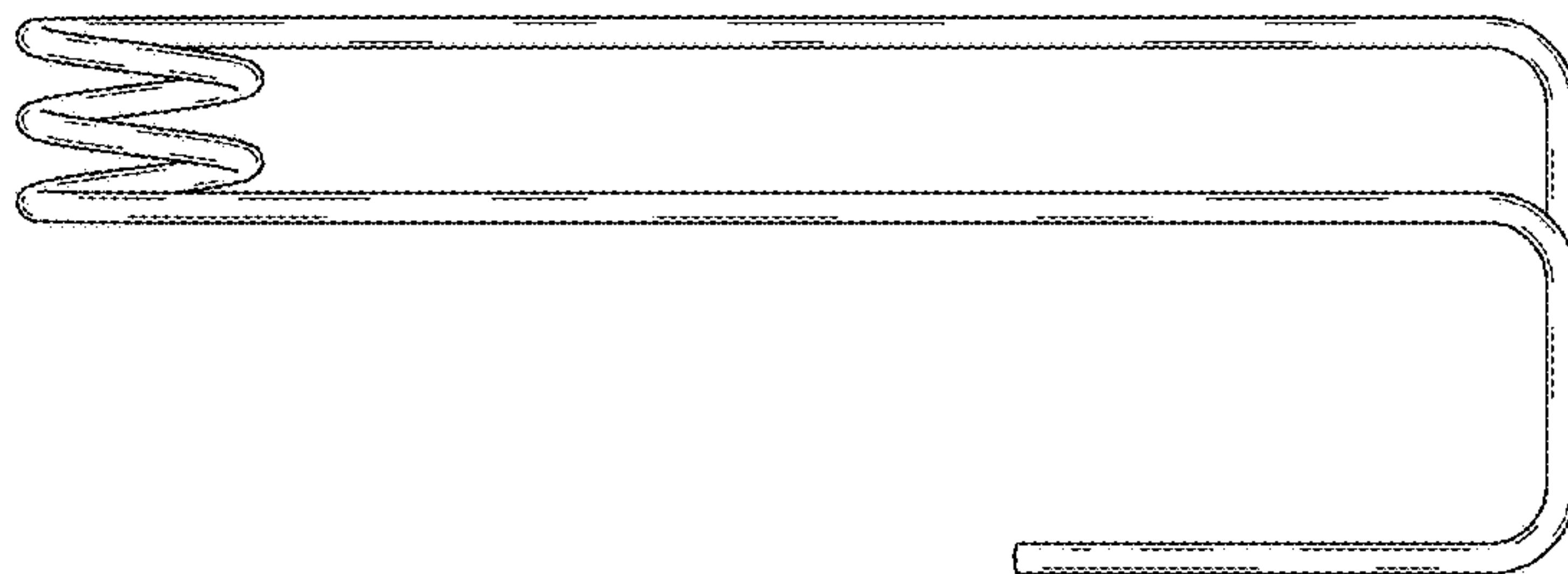


FIG. 13

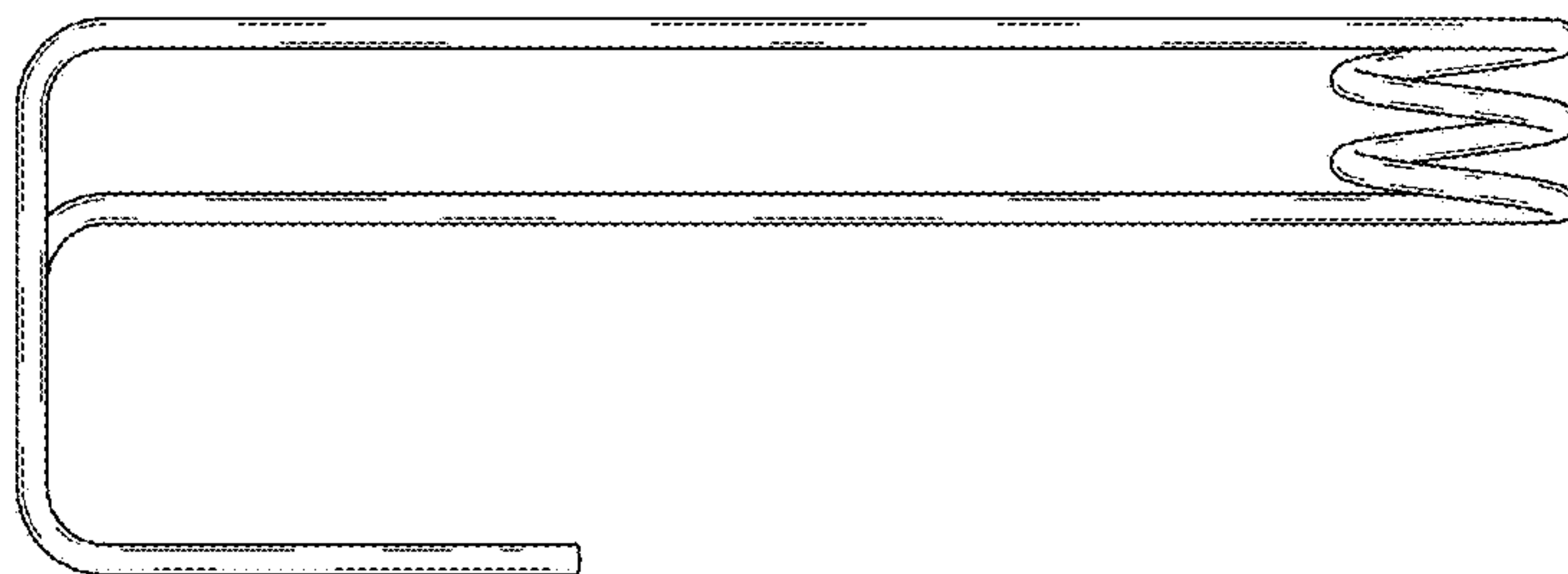


FIG. 14

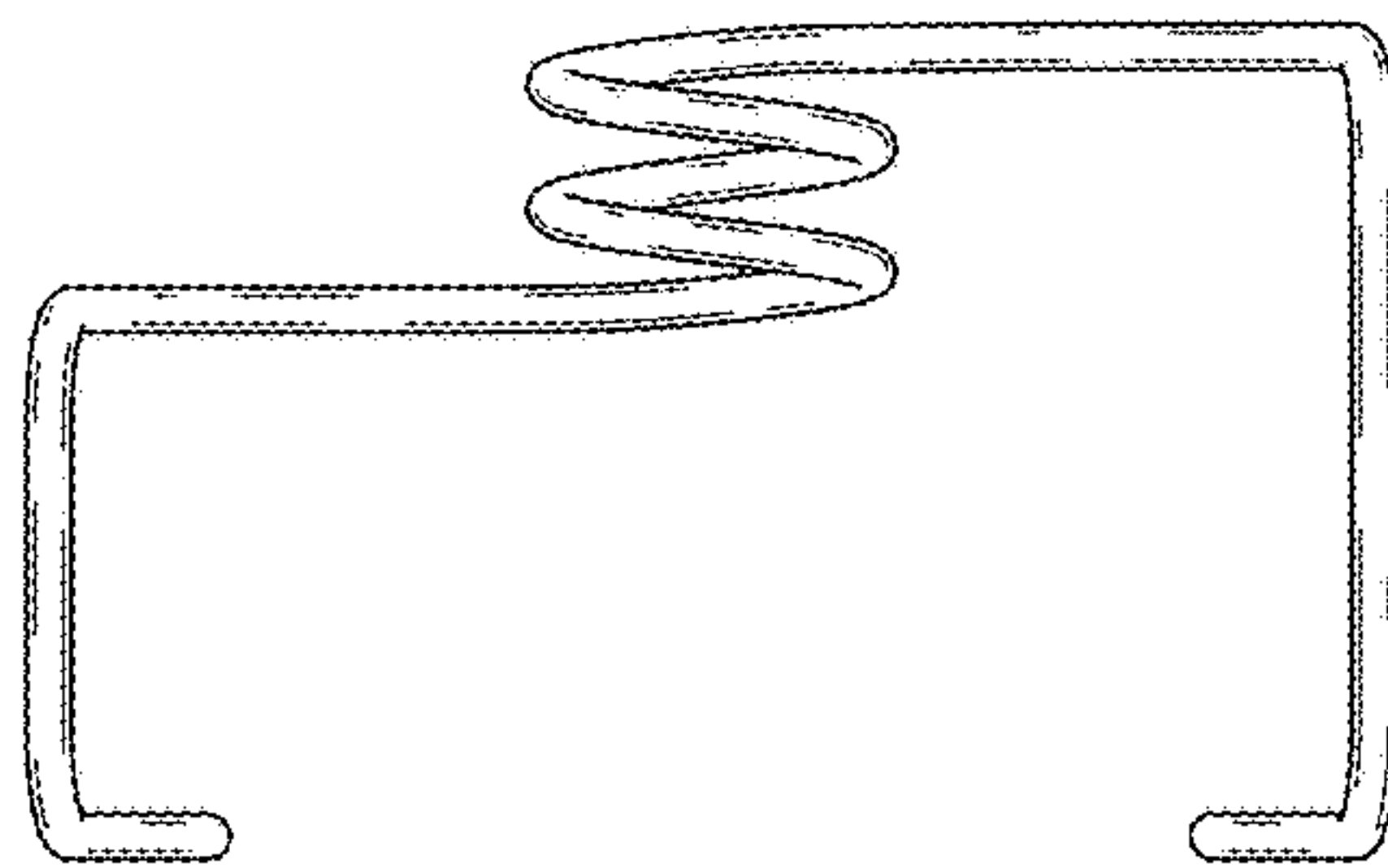


FIG. 15

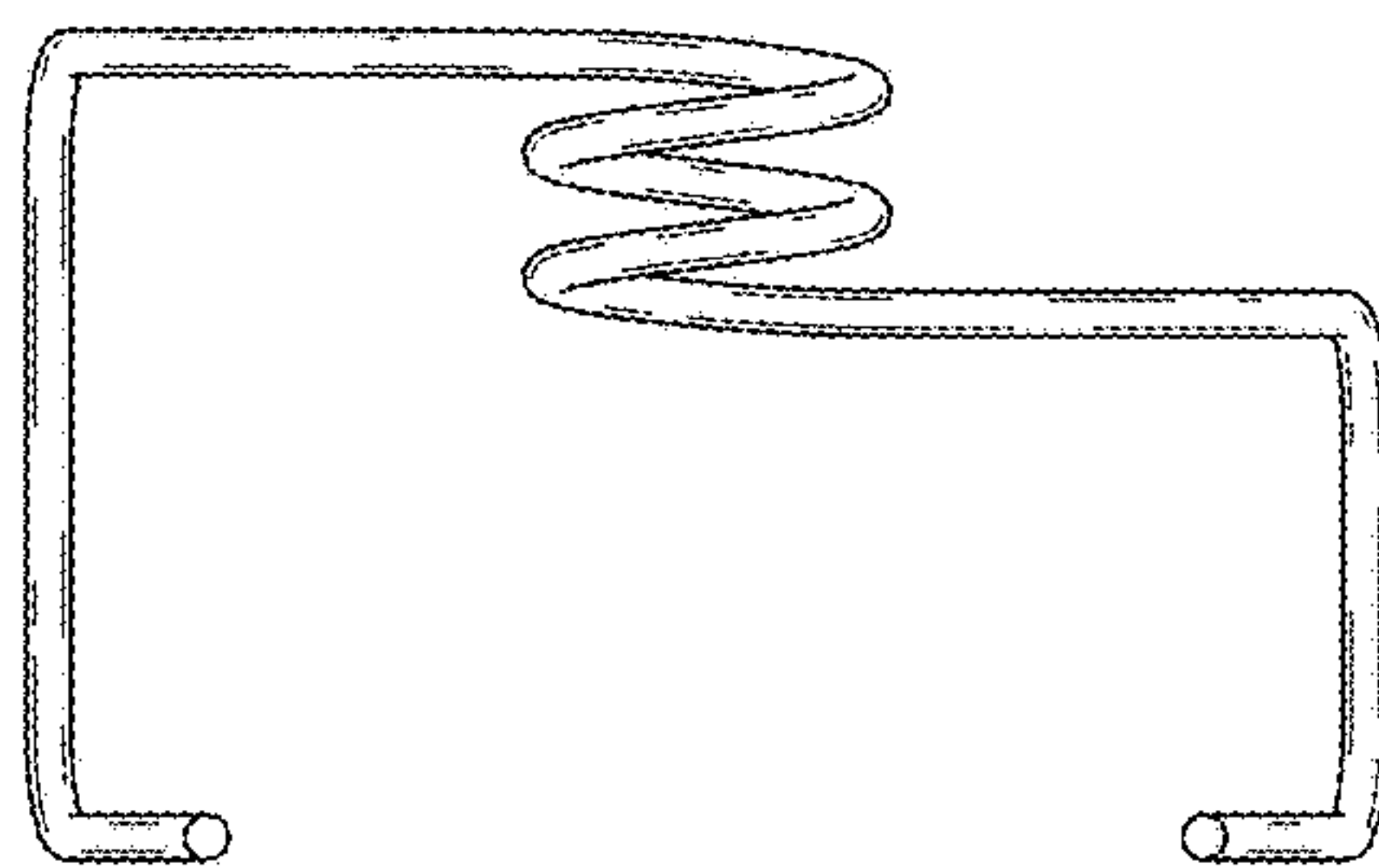


FIG. 16