



US00D867121S

(12) **United States Design Patent**  
**Zalme**

(10) **Patent No.:** **US D867,121 S**

(45) **Date of Patent:** **\*\* Nov. 19, 2019**

(54) **COUPLER ASSEMBLY FOR ATTACHMENT TO A VERTICALLY DISPOSED SURFACE**

(71) Applicant: **Mark Zalme**, Fletcher, NC (US)

(72) Inventor: **Mark Zalme**, Fletcher, NC (US)

(\*\*) Term: **15 Years**

(21) Appl. No.: **29/656,615**

(22) Filed: **Jul. 13, 2018**

(51) **LOC (12) Cl.** ..... **08-08**

(52) **U.S. Cl.**  
USPC ..... **D8/394**; D8/373

(58) **Field of Classification Search**  
USPC ..... D8/356, 371, 373, 380, 394-396;  
D19/65, 56  
CPC . E04B 9/067; E04B 9/068; E04B 9/12; E04B  
9/18; E04B 9/30; E04B 2009/062; E04C  
2003/0413; E04C 2003/0439; E04C  
2003/046

See application file for complete search history.

(56) **References Cited**

**U.S. PATENT DOCUMENTS**

3,209,935	A	3/1963	Long	
3,339,814	A	9/1967	Carbine	
3,552,612	A	1/1971	Greis	
D347,538	S *	6/1994	Fleischer	D28/73
5,407,160	A	4/1995	Hollingsworth et al.	
6,719,254	B1	4/2004	Speiser	
7,017,759	B1	3/2006	Friend	
D556,017	S *	11/2007	Hutter, III	D8/354

D603,248	S *	11/2009	Bar-Erez	D8/373
D616,732	S *	6/2010	Brockington	D8/373
D666,473	S *	9/2012	Despotellis	D8/354
8,439,209	B2	5/2013	Strollo	
8,789,712	B2	7/2014	Johnson et al.	
D734,132	S *	7/2015	Ware	D8/356
D772,049	S *	11/2016	McCoy	D8/354
D773,290	S *	12/2016	Green	D8/349
9,920,877	B2 *	3/2018	Conti	F16M 13/027
D850,892	S *	6/2019	Lin	D8/373
2007/0295879	A1 *	12/2007	Wong	A47G 1/20 248/475.1
2010/0213333	A1 *	8/2010	Mejia	A47G 1/20 248/220.21

\* cited by examiner

*Primary Examiner* — John Windmuller

(74) *Attorney, Agent, or Firm* — William G. Heedy; The Van Winkle Law Firm

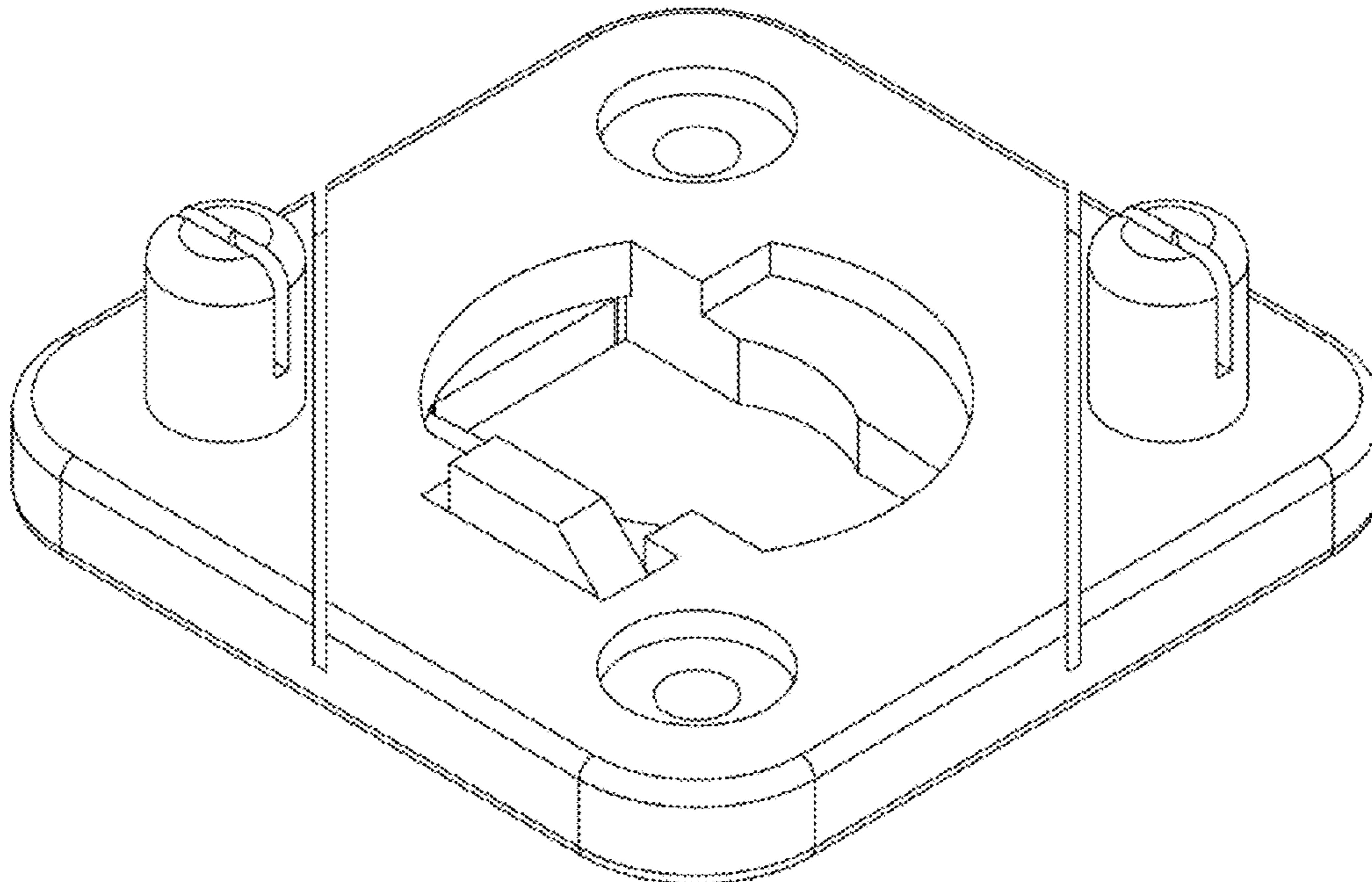
(57) **CLAIM**

The ornamental design for a coupler assembly for attachment to a vertically disposed surface, as shown and described.

**DESCRIPTION**

FIG. 1 is a perspective view of a design for a coupler assembly for attachment to a vertically disposed surface; FIG. 2 is a perspective view thereof; FIG. 3 is a top plan view thereof; FIG. 4 is a bottom plan view thereof; FIG. 5 is a front elevational view thereof; FIG. 6 is a rear elevational view thereof; FIG. 7 is a right side elevational view thereof; and, FIG. 8 is a right side elevational view thereof.

**1 Claim, 6 Drawing Sheets**



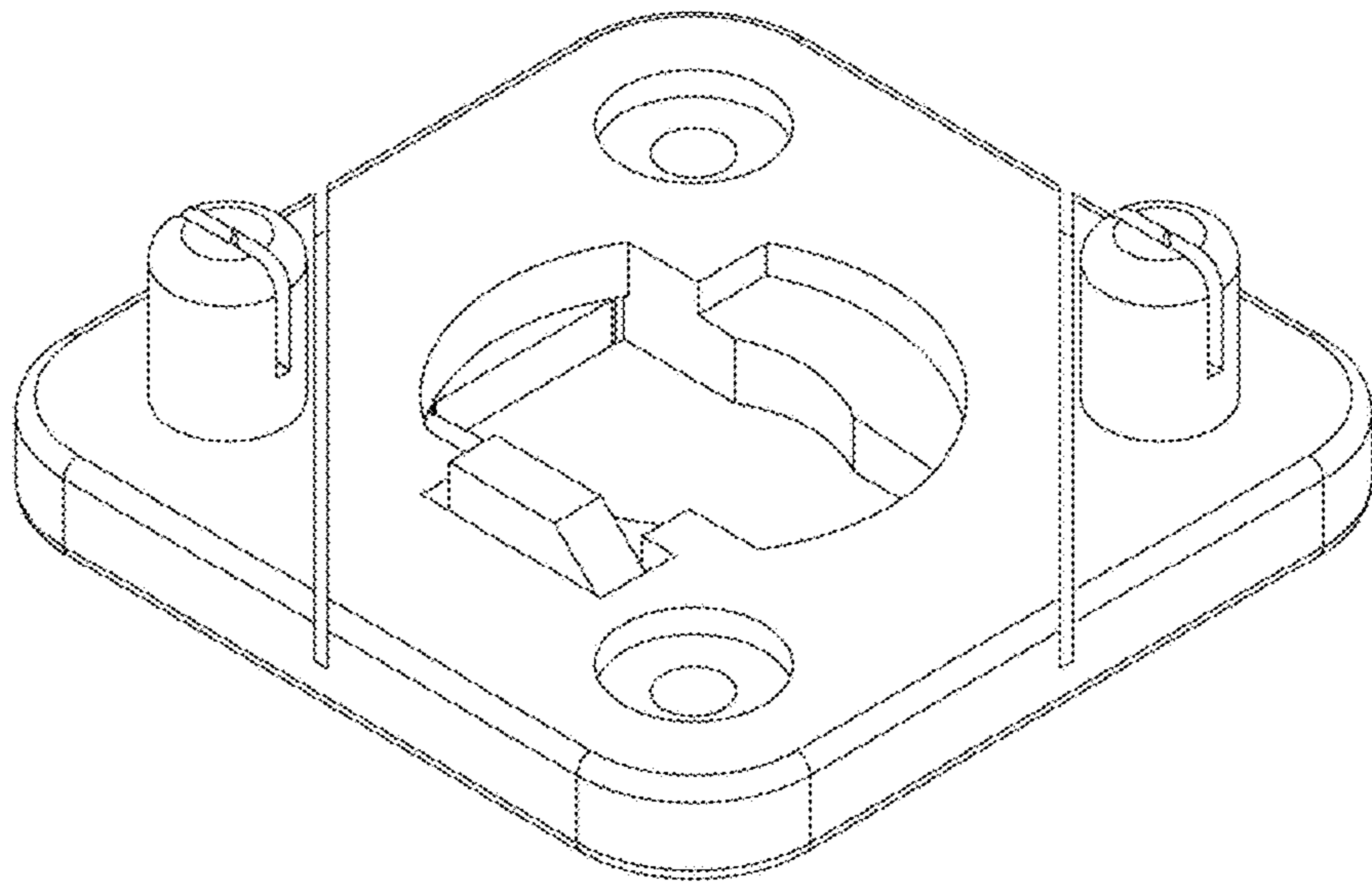


FIG. 1

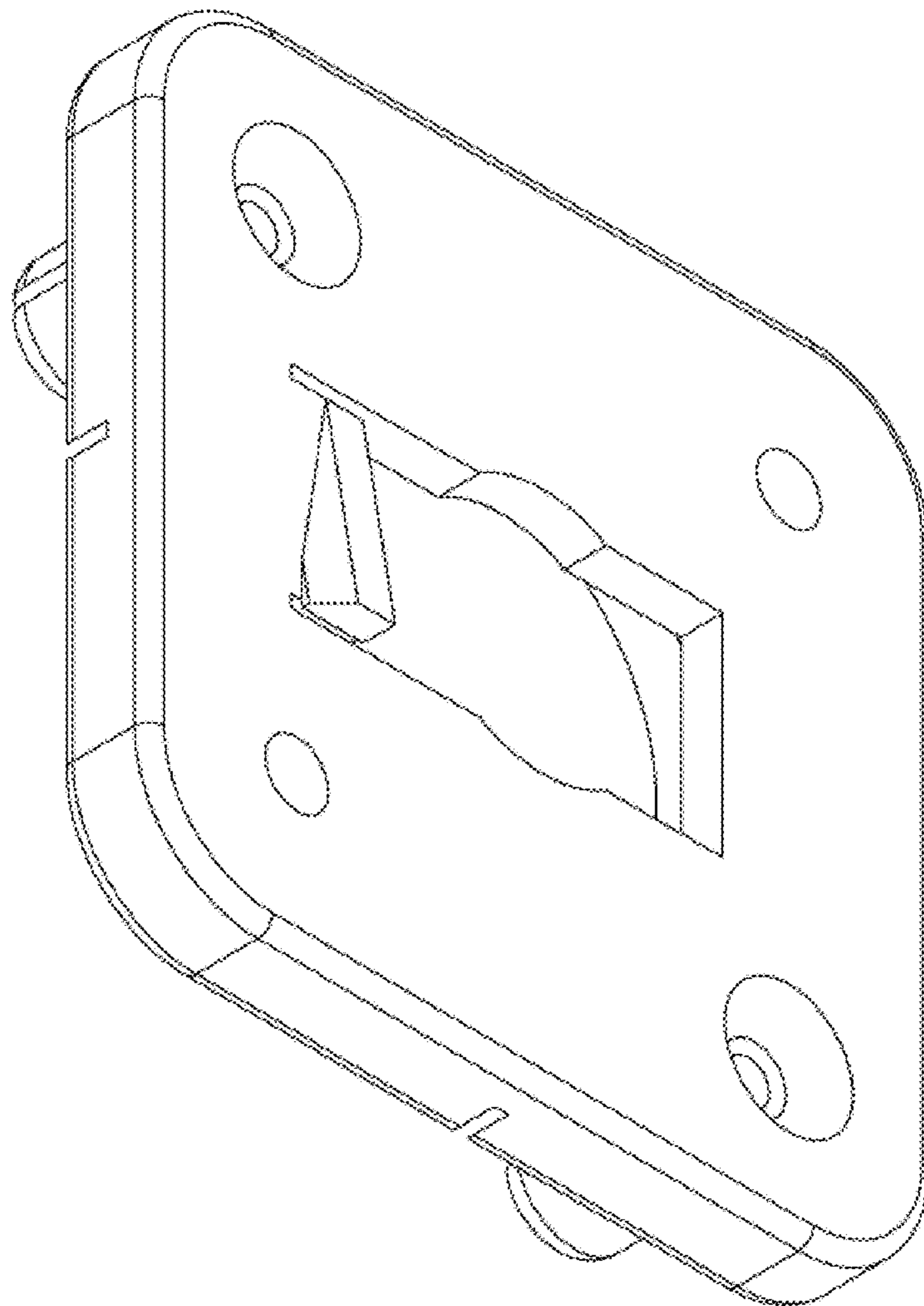


FIG. 2

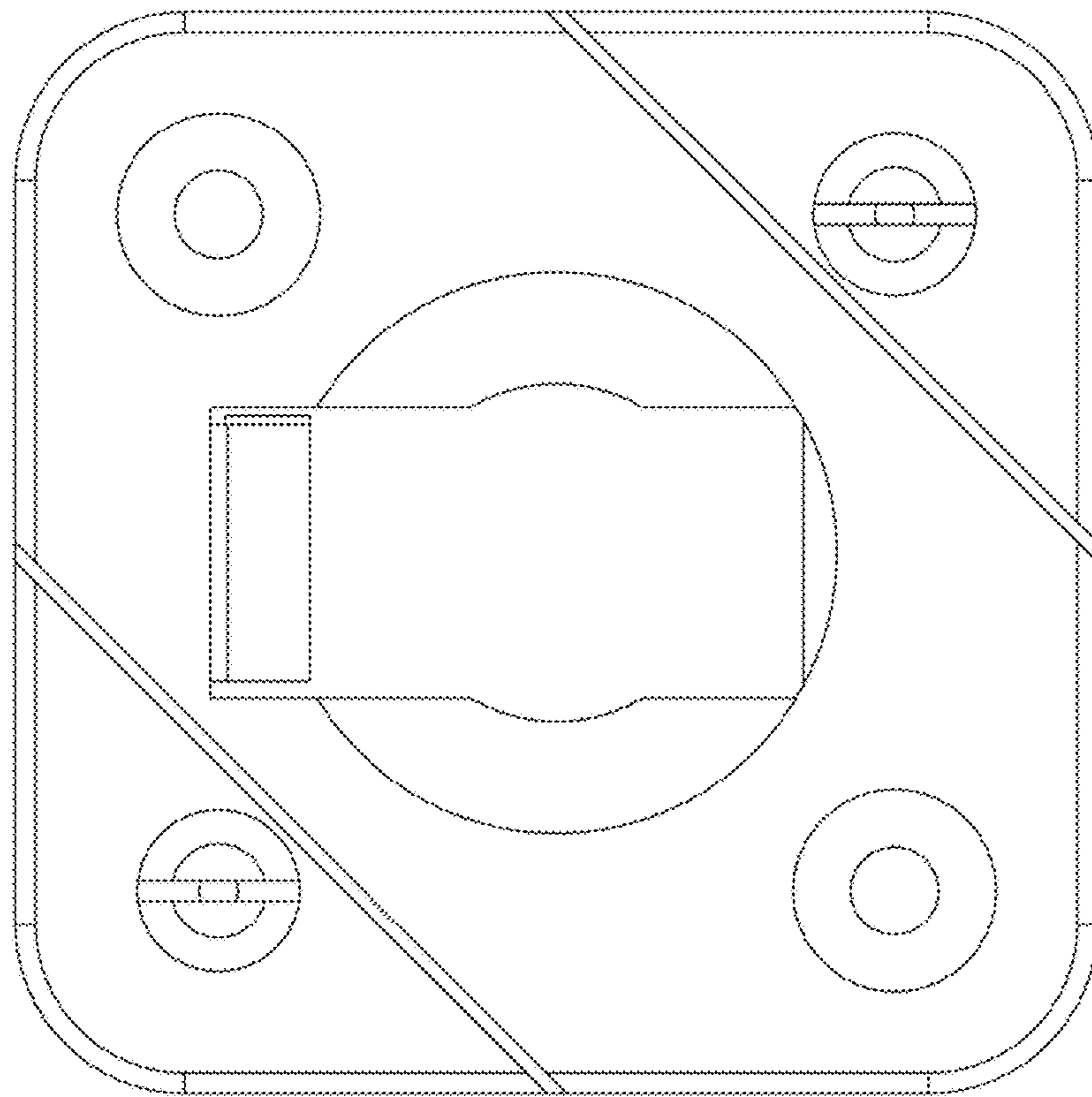


FIG. 3

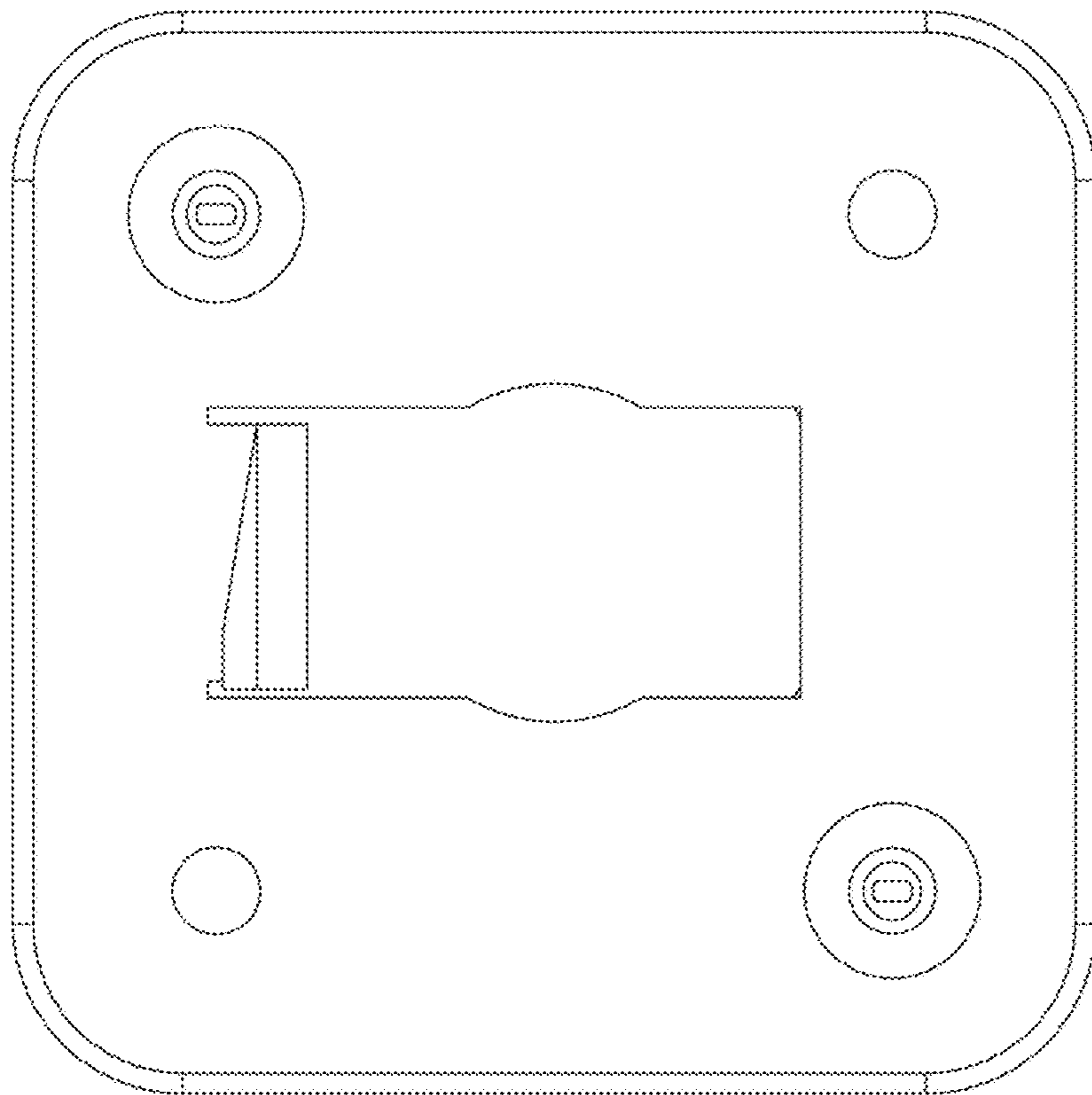


FIG. 4

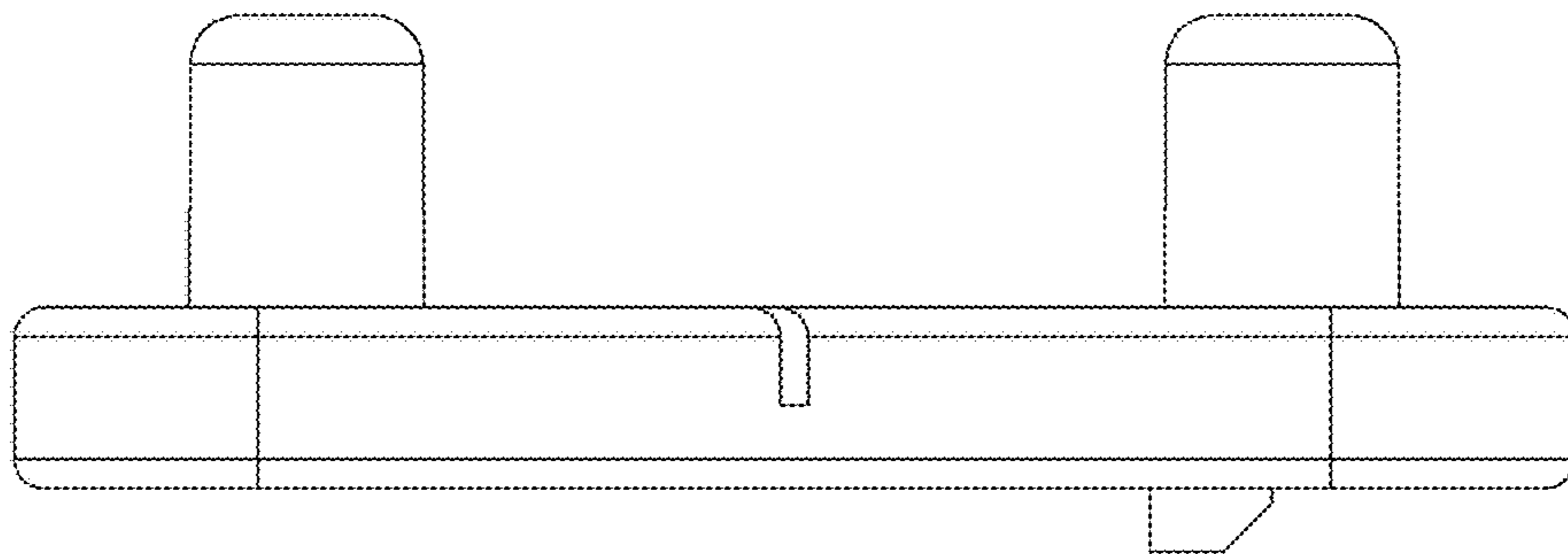


FIG. 5

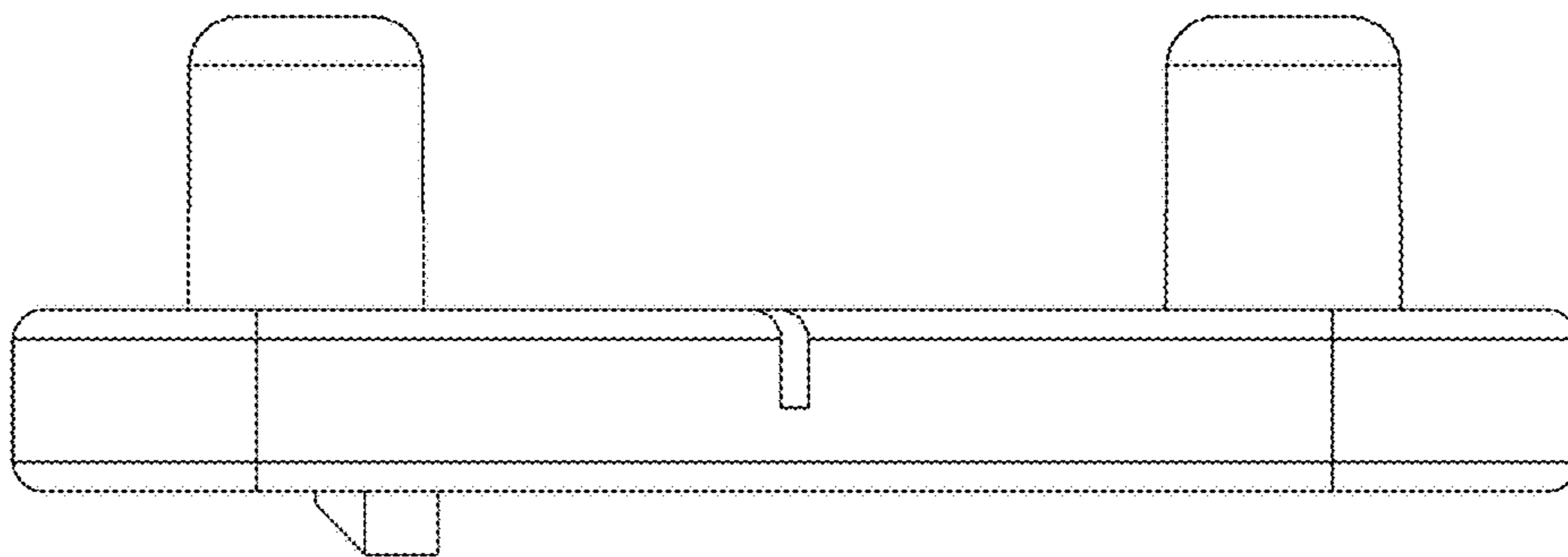


FIG. 6

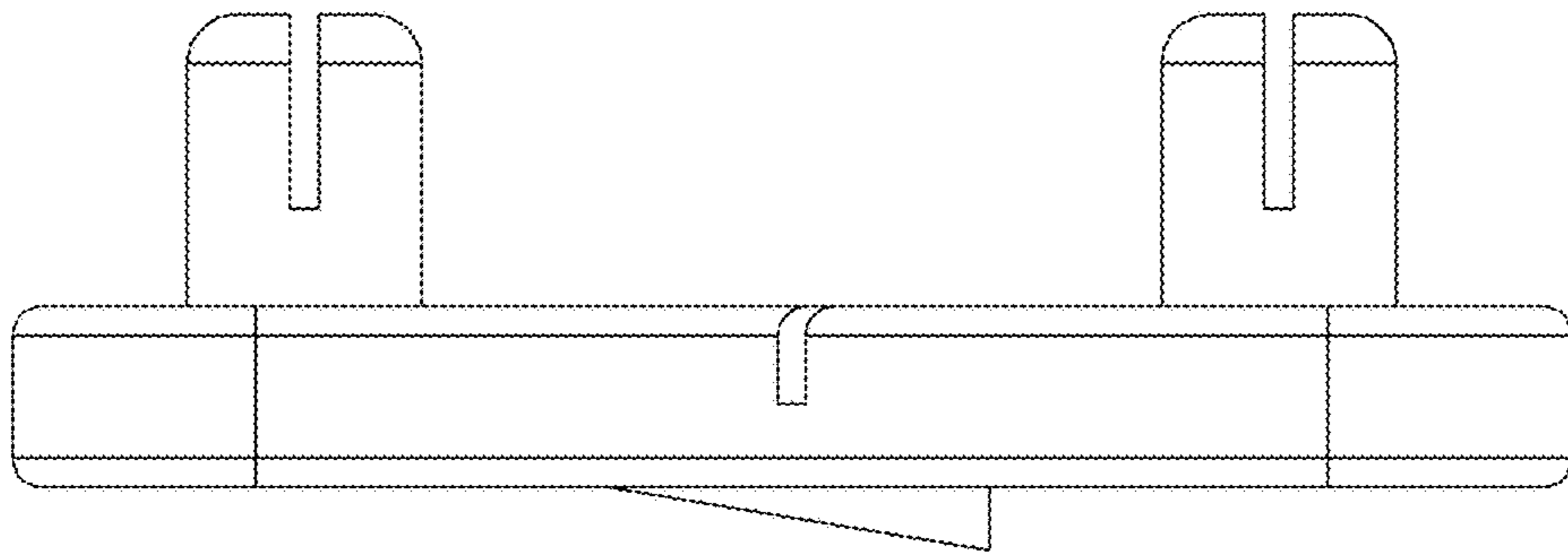


FIG. 7

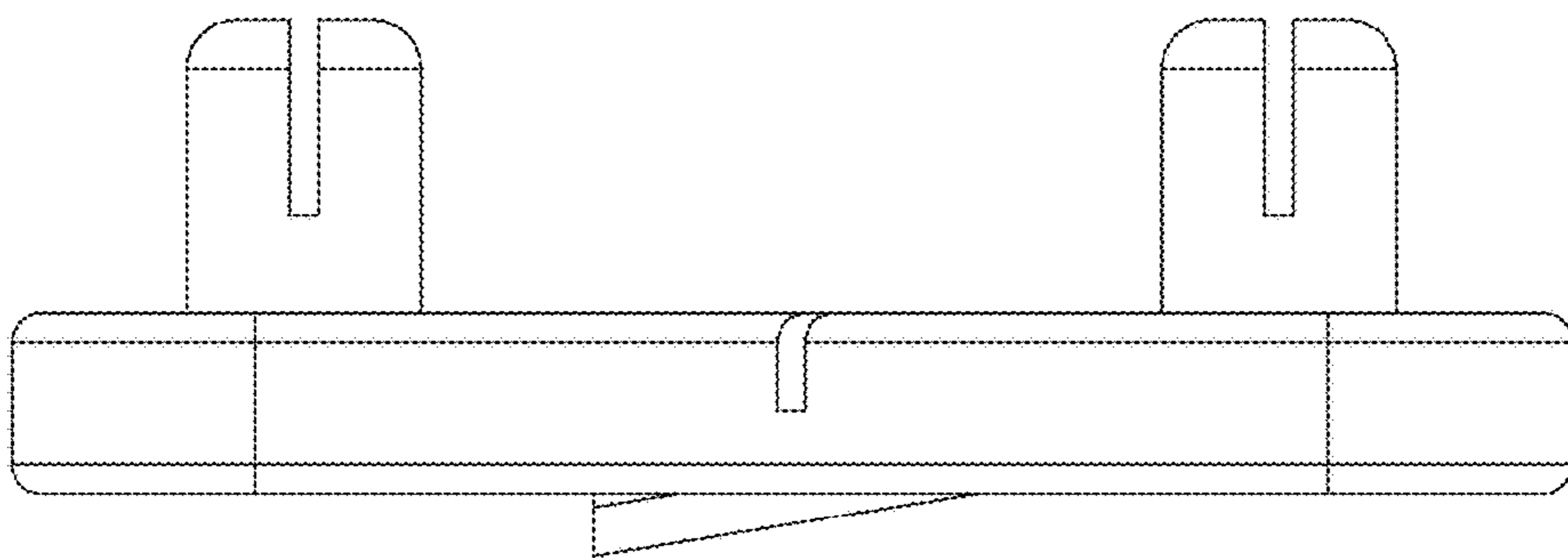


FIG. 8