

US00D867118S

(12) **United States Design Patent** (10) **Patent No.:** **US D867,118 S**
Gooden (45) **Date of Patent:** **** Nov. 19, 2019**

(54) **FENCE JOINER**
(71) Applicant: **Michael John Gooden**, Hamilton (AU)
(72) Inventor: **Michael John Gooden**, Hamilton (AU)
(**) Term: **15 Years**
(21) Appl. No.: **29/610,954**
(22) Filed: **Jul. 18, 2017**
(51) **LOC (12) Cl.** **08-08**
(52) **U.S. Cl.**
USPC **D8/394**
(58) **Field of Classification Search**
USPC D8/349, 354, 382, 384, 385, 394, 395,
D8/377, 388, 499
CPC Y10T 24/10; Y10T 24/26; Y10T 24/44;
Y10T 24/0017; Y10T 24/44256; Y10T
24/44573; Y10T 24/50; Y10T 70/7356;
E04B 1/38; E04B 1/40; E04B 1/54
See application file for complete search history.

D553,954 S * 10/2007 Emblin D8/354
D583,225 S * 12/2008 McNeill D8/394
D654,349 S * 2/2012 Schopf D8/354
D691,460 S * 10/2013 Stanic D8/354
D707,545 S * 6/2014 Schopf D8/394
D722,490 S * 2/2015 Lyons D8/395
D722,493 S * 2/2015 Ramsauer D8/395
D735,558 S * 8/2015 Kopp D8/354
D783,385 S * 4/2017 Zhu D8/349
D810,545 S * 2/2018 Stevens D8/349
D840,217 S * 2/2019 Veilleux D8/394

* cited by examiner

Primary Examiner — John Windmuller
Assistant Examiner — Steven J Czyz
(74) *Attorney, Agent, or Firm* — Sand, Sebolt & Wernow
Co., LPA

(57) **CLAIM**

The ornamental design for a fence joiner, as shown and described.

DESCRIPTION

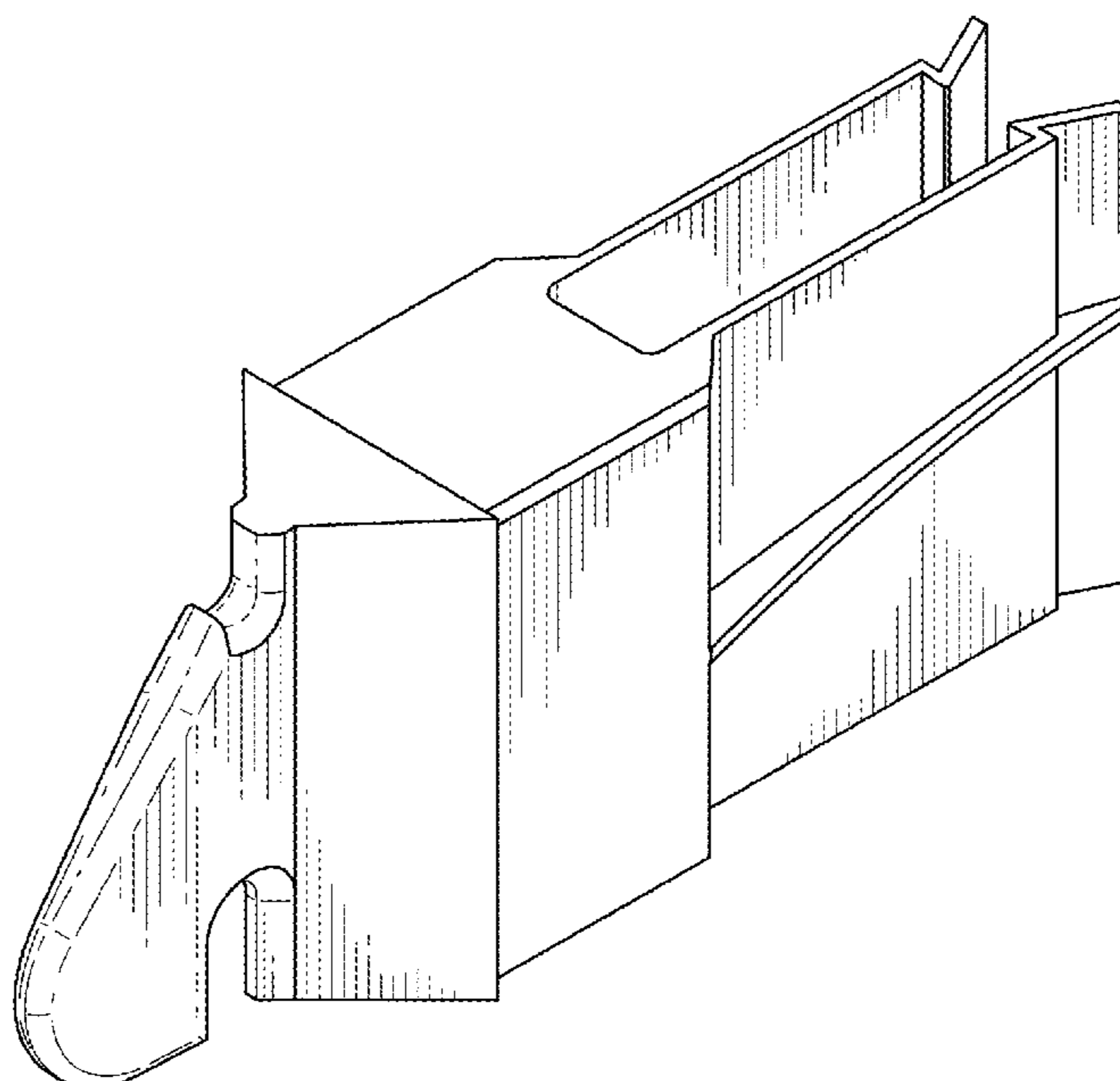
FIG. 1 is a top, front perspective view of a fence joiner in accordance with my design;
FIG. 2 is a left side elevation view thereof;
FIG. 3 is a right side elevation view thereof;
FIG. 4 is a back elevation view thereof;
FIG. 5 is a front elevation view thereof;
FIG. 6 is a top plan view thereof; and,
FIG. 7 is a bottom plan view thereof.
The broken lines depict portions of the article that form no part of the claimed design.

(56) **References Cited**

U.S. PATENT DOCUMENTS

D283,006 S * 3/1986 Carter, Jr. D8/349
D287,460 S * 12/1986 MacKarvich D21/840
4,986,513 A * 1/1991 Schultz E04H 17/1421
256/22
D379,609 S * 6/1997 Nease, III D12/162
D408,713 S * 4/1999 Johnson D8/349
D450,561 S * 11/2001 Moore D11/200
D451,006 S * 11/2001 Platt D8/385
D456,701 S * 5/2002 Platt D8/382
D481,932 S * 11/2003 Bess D25/141

1 Claim, 3 Drawing Sheets



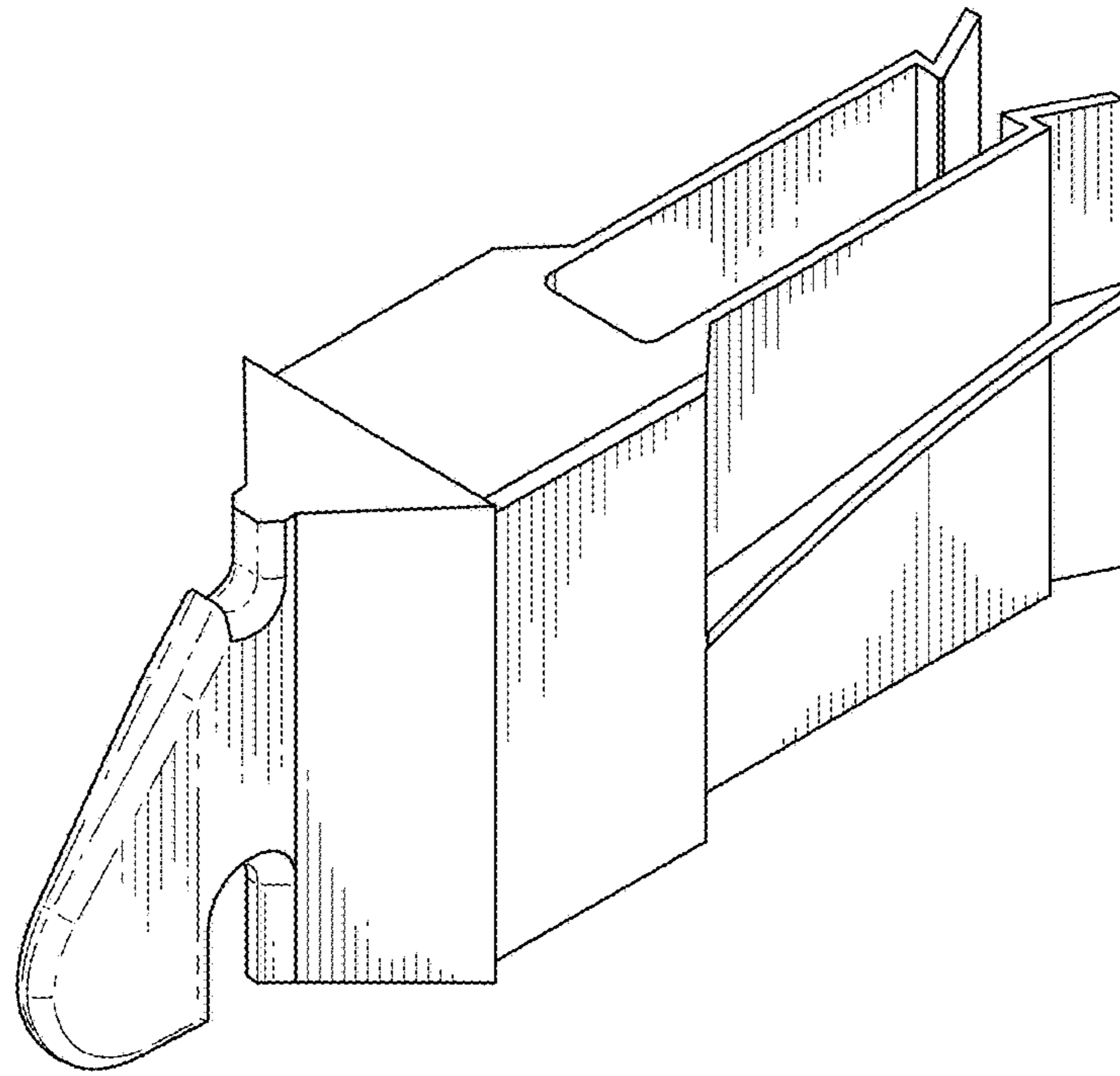


FIG. 1

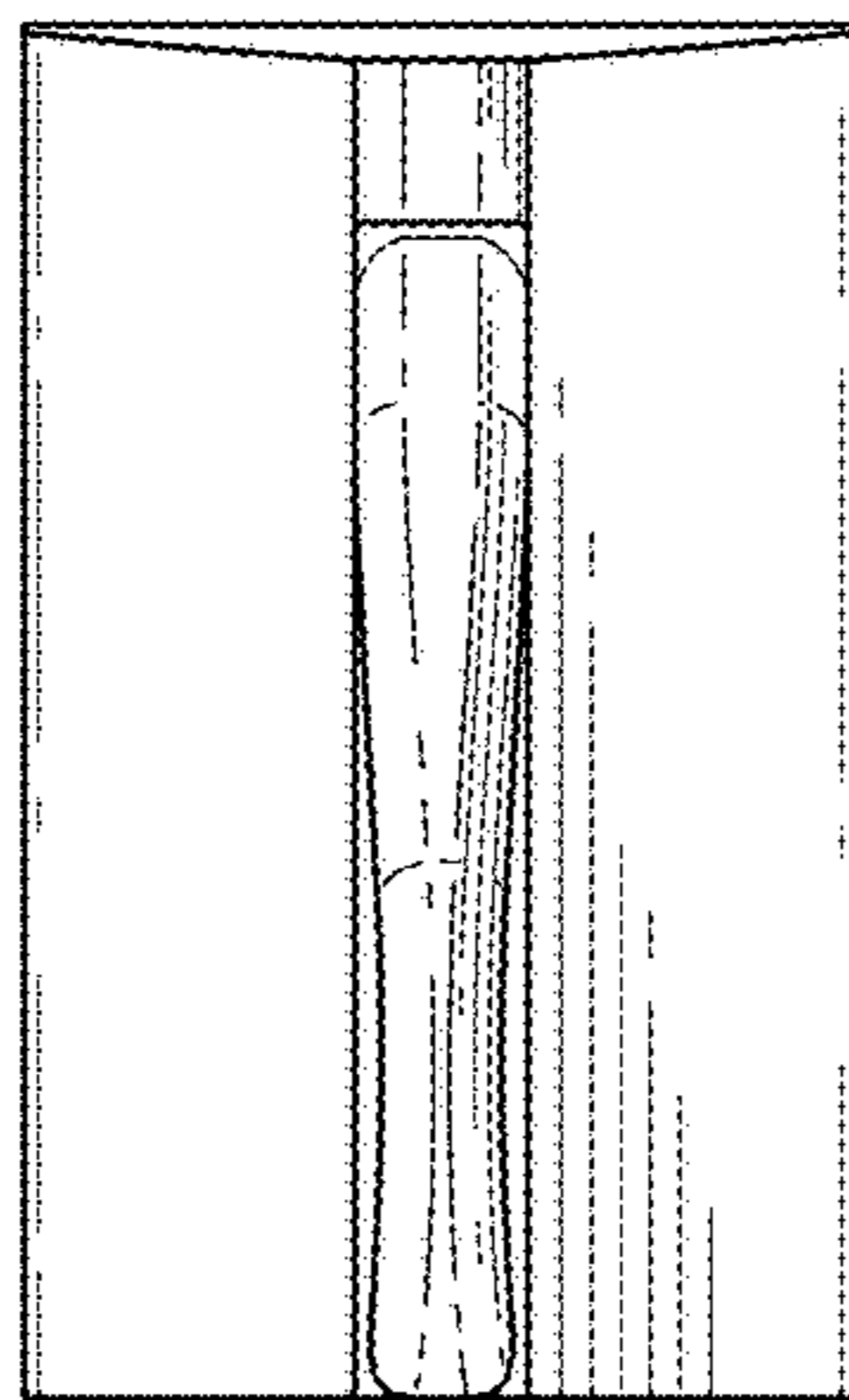


FIG. 2

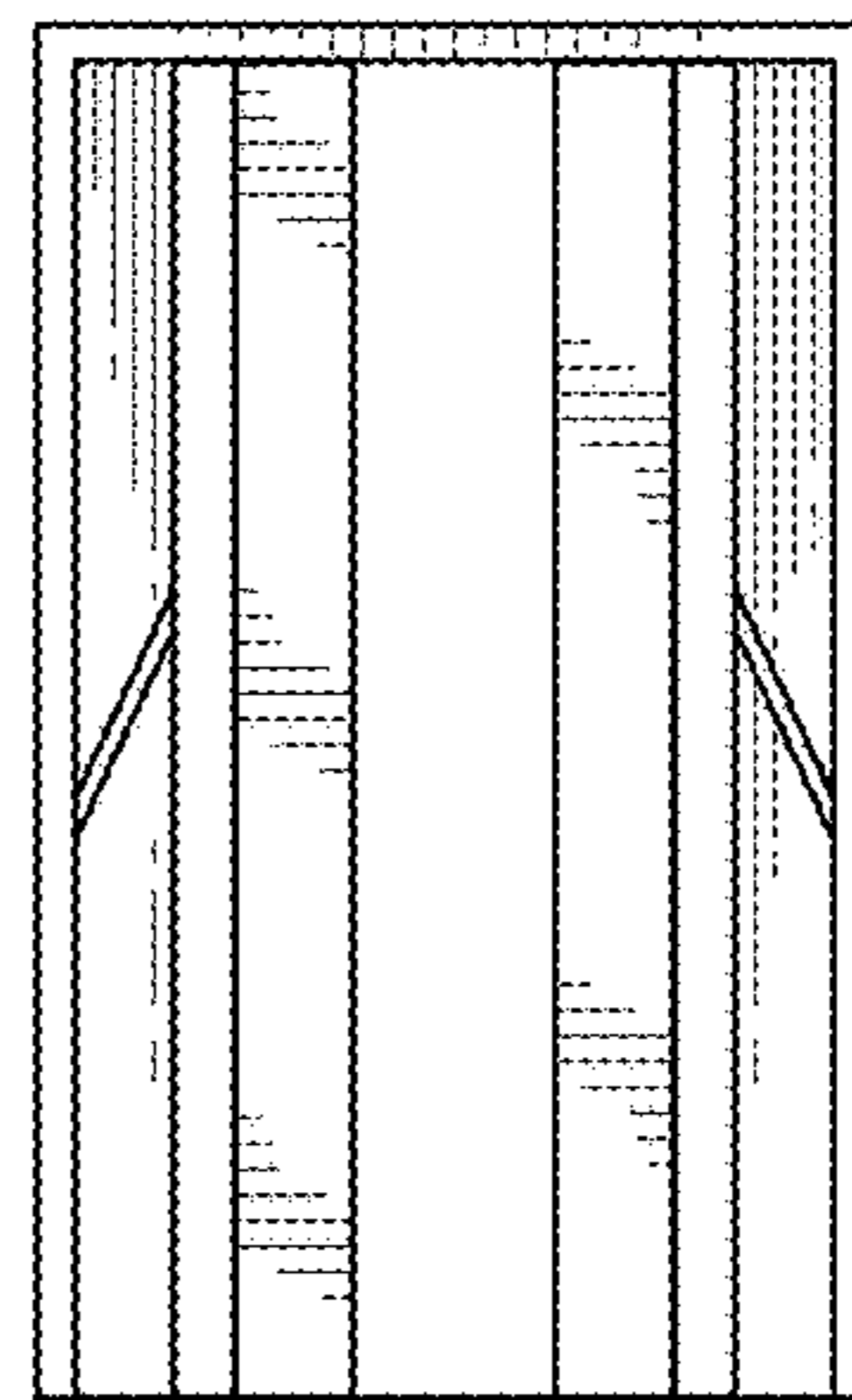


FIG. 3

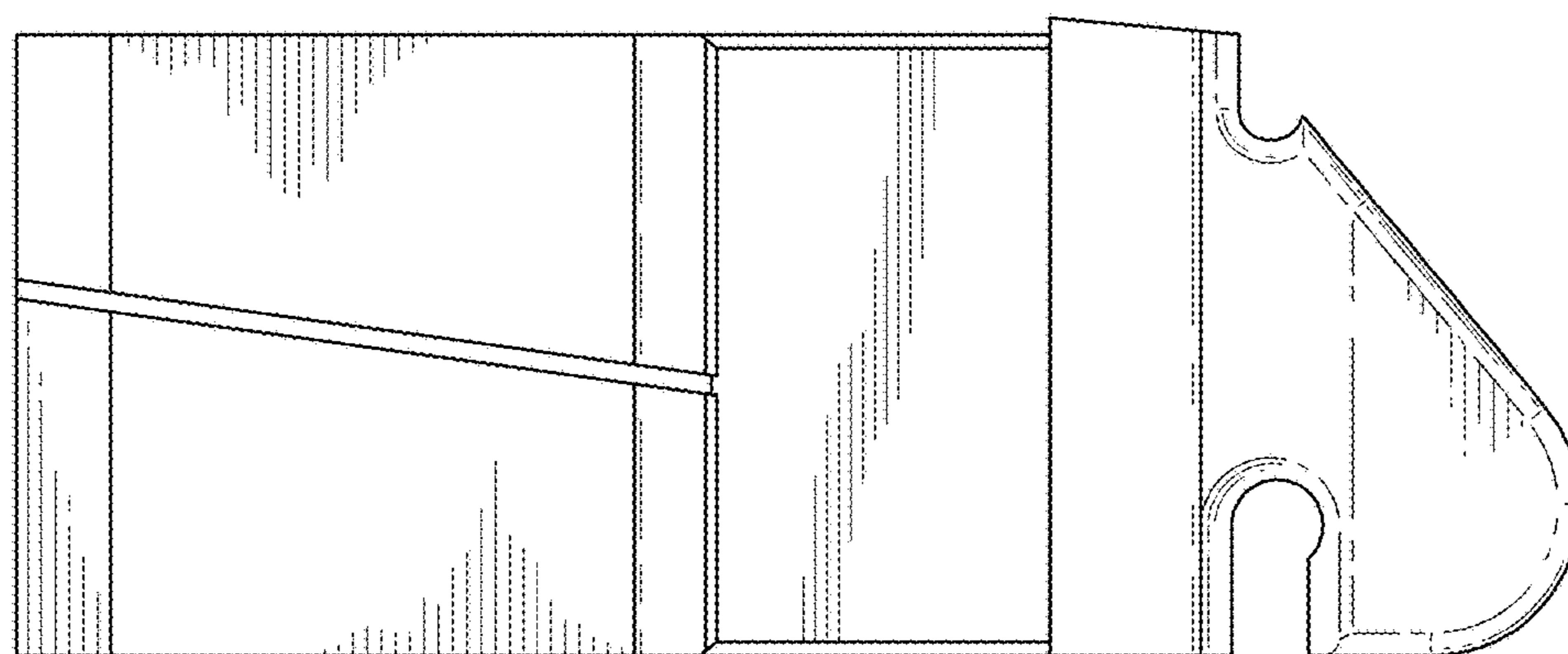


FIG. 4

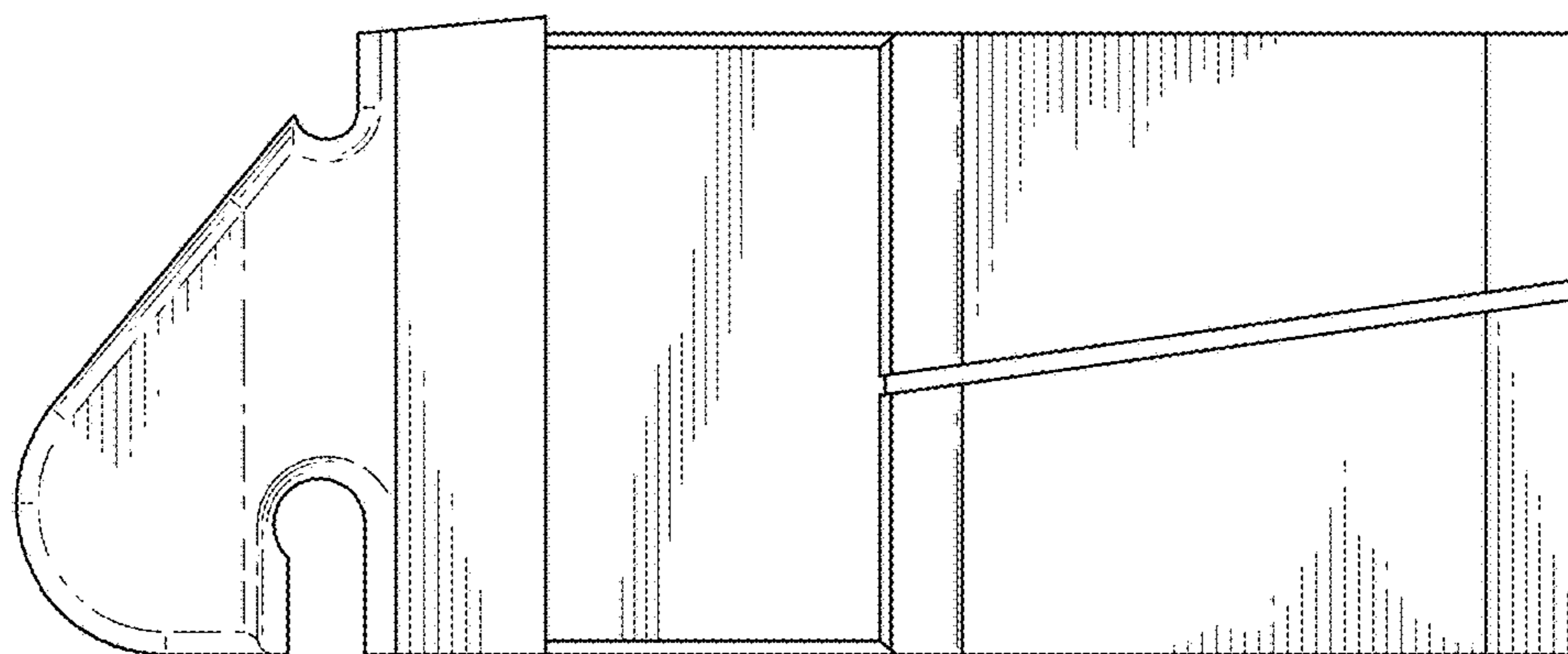


FIG. 5

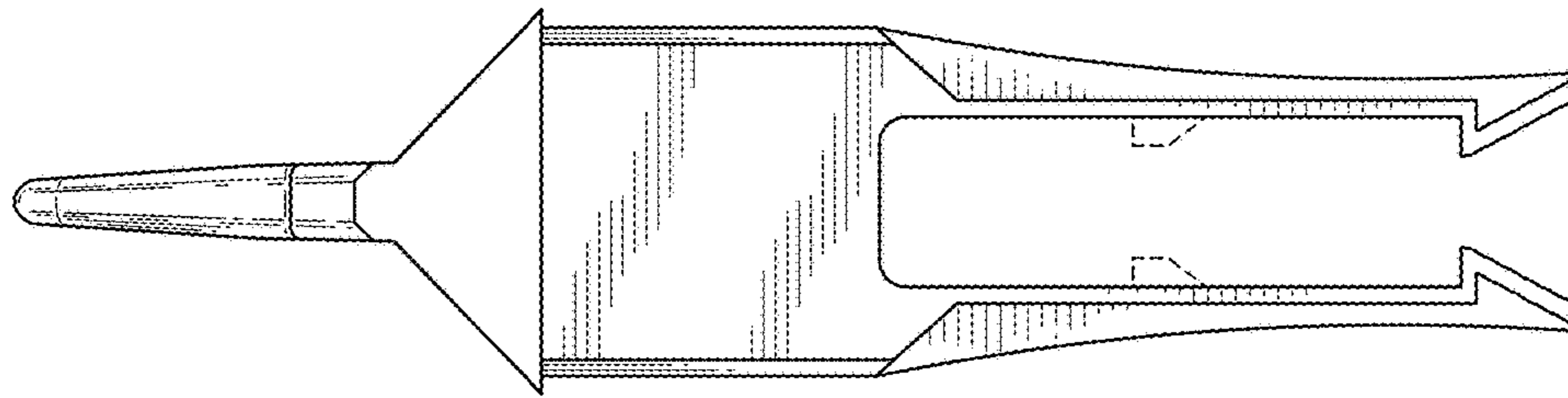


FIG. 6

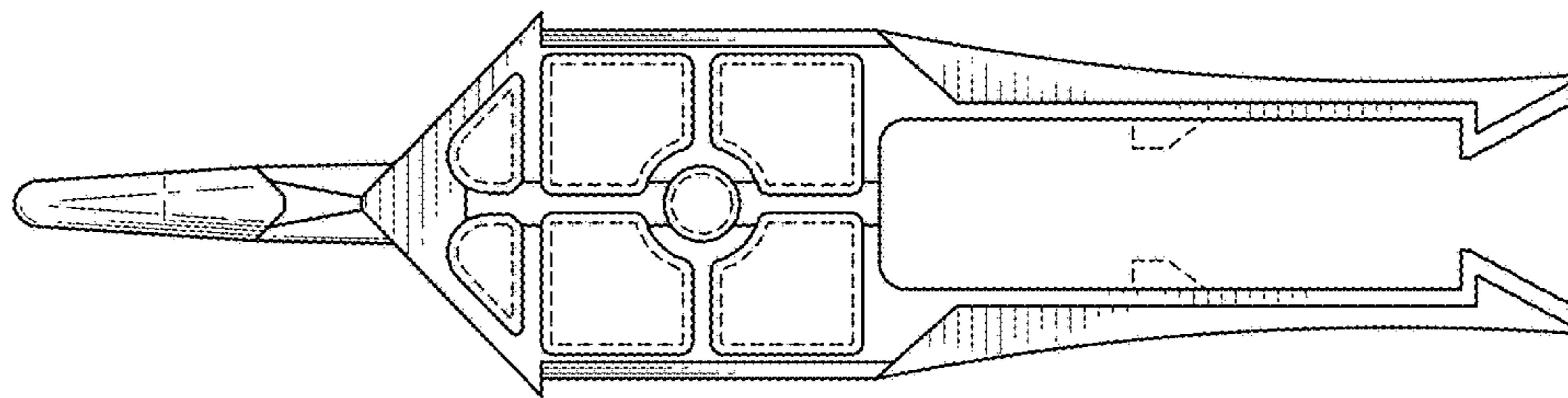


FIG. 7