



US00D867117S

(12) **United States Design Patent**  
**McGrath**

(10) **Patent No.:** **US D867,117 S**

(45) **Date of Patent:** **\*\* Nov. 19, 2019**

(54) **SLIDE SLOT BRACKET**

(71) Applicant: **Andrew H. McGrath**, Antioch, CA  
(US)

(72) Inventor: **Andrew H. McGrath**, Antioch, CA  
(US)

(\*\*) Term: **15 Years**

(21) Appl. No.: **29/656,390**

(22) Filed: **Jul. 12, 2018**

(51) **LOC (12) Cl.** ..... **08-08**

(52) **U.S. Cl.**  
USPC ..... **D8/382**

(58) **Field of Classification Search**  
USPC ..... D8/381, 382, 349, 354, 394; D6/300,  
D6/309

CPC ..... A47B 2230/00; A47B 2230/0018; A47B  
2230/0022; A47B 2230/0025; A47B  
2230/07; A47B 96/061; A47B 96/062;  
A47B 96/063; A47F 3/12; A47F  
2010/065; A47F 10/06; A47G 1/215;  
E06B 3/663; E06B 3/66304; E06B 3/667;  
E06B 3/6675; E06B 3/54; E06B 3/58;  
F16B 5/02; F16B 5/06; F16B 5/0607

See application file for complete search history.

(56) **References Cited**

**U.S. PATENT DOCUMENTS**

3,049,323	A *	8/1962	Peterka	.....	A47G 1/215	248/466
D314,503	S *	2/1991	Gilman	.....	D8/394	
D480,297	S *	10/2003	Parker	.....	D8/323	
D482,954	S *	12/2003	Hoernig	.....	D8/381	
D498,136	S *	11/2004	Parker	.....	D8/323	
D535,869	S *	1/2007	Brunsteter	.....	D8/382	
7,624,479	B1 *	12/2009	Lin	.....	A47B 43/006	24/135 N

D719,820	S *	12/2014	McGrath	.....	D8/382	
D727,138	S *	4/2015	Cross	.....	D8/382	
D787,923	S *	5/2017	Honein	.....	D8/382	
D793,851	S *	8/2017	Mann	.....	D8/394	
D820,067	S *	6/2018	Merminod	.....	D8/349	
D851,484	S *	6/2019	Veilleux	.....	D8/394	
D851,485	S *	6/2019	Veilleux	.....	D8/394	
2006/0284522	A1 *	12/2006	Burke	.....	A47F 3/12	312/116

\* cited by examiner

*Primary Examiner* — Sandra S Snapp

*Assistant Examiner* — Ieisha N Price

(74) *Attorney, Agent, or Firm* — Charles L. Thoeming

(57) **CLAIM**

The ornamental design for a slide slot bracket, as shown and described.

**DESCRIPTION**

FIG. 1 is a front, bottom perspective view of a slide slot bracket showing my new design.

FIG. 2 is a rear, top perspective view of the slide slot bracket of FIG. 1.

FIG. 3 is a front elevation view of the slide slot bracket of FIG. 1.

FIG. 4 is a right side elevation view of the slide slot bracket of FIG. 1; a left side elevation view of the slide slot bracket of FIG. 1 is the mirror image of FIG. 4.

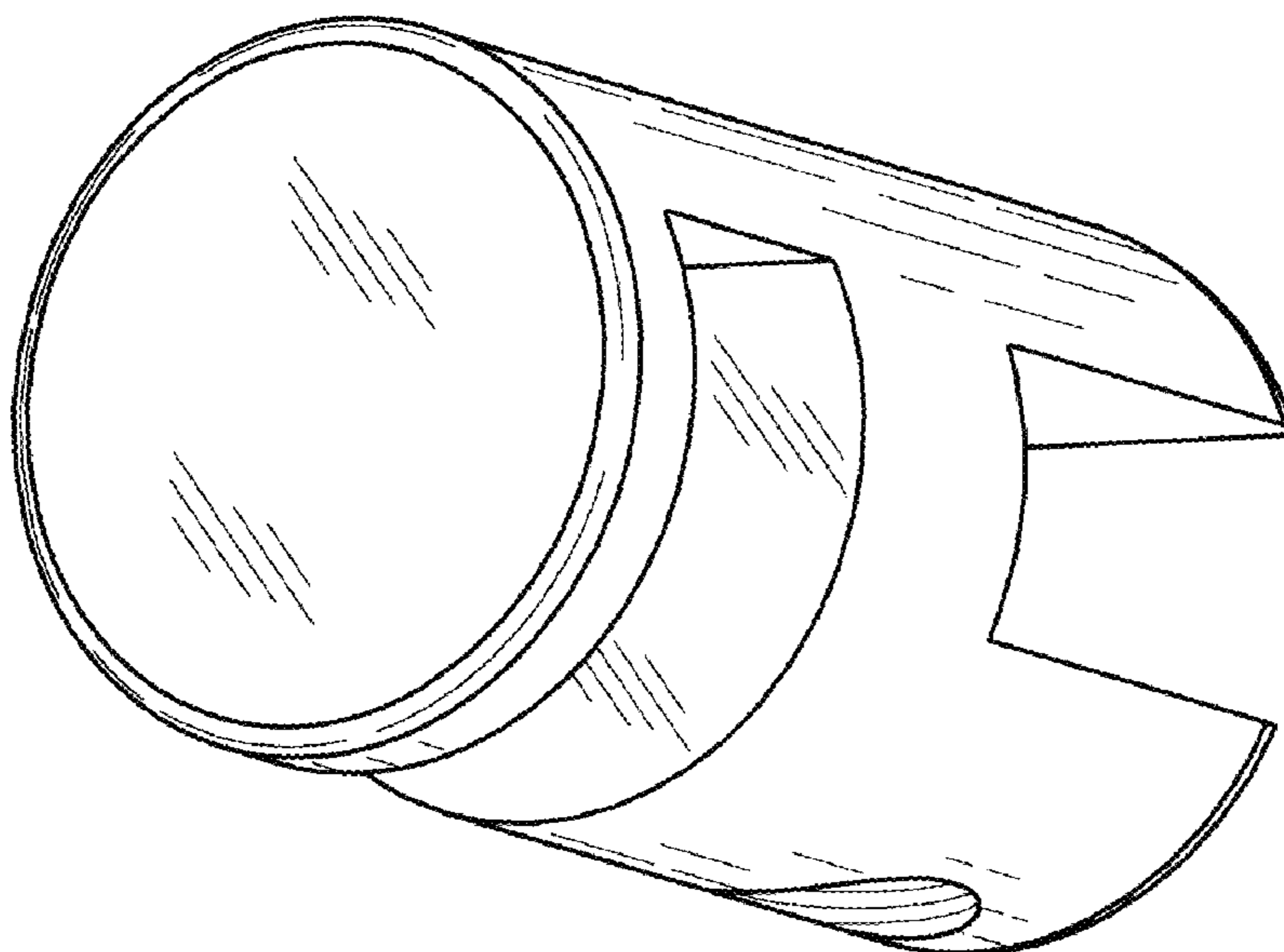
FIG. 5 is a rear elevation view of the slide slot bracket of FIG. 1.

FIG. 6 is a top plan view of the slide slot bracket of FIG. 1.

FIG. 7 is a bottom plan view of the slide slot bracket of FIG. 1; and,

FIG. 8 is a perspective view of the slide slot bracket of FIG. 1 in an exemplary environment. The broken line showing of the panels and screw illustrates the environment of the claimed design and forms no part thereof.

**1 Claim, 5 Drawing Sheets**



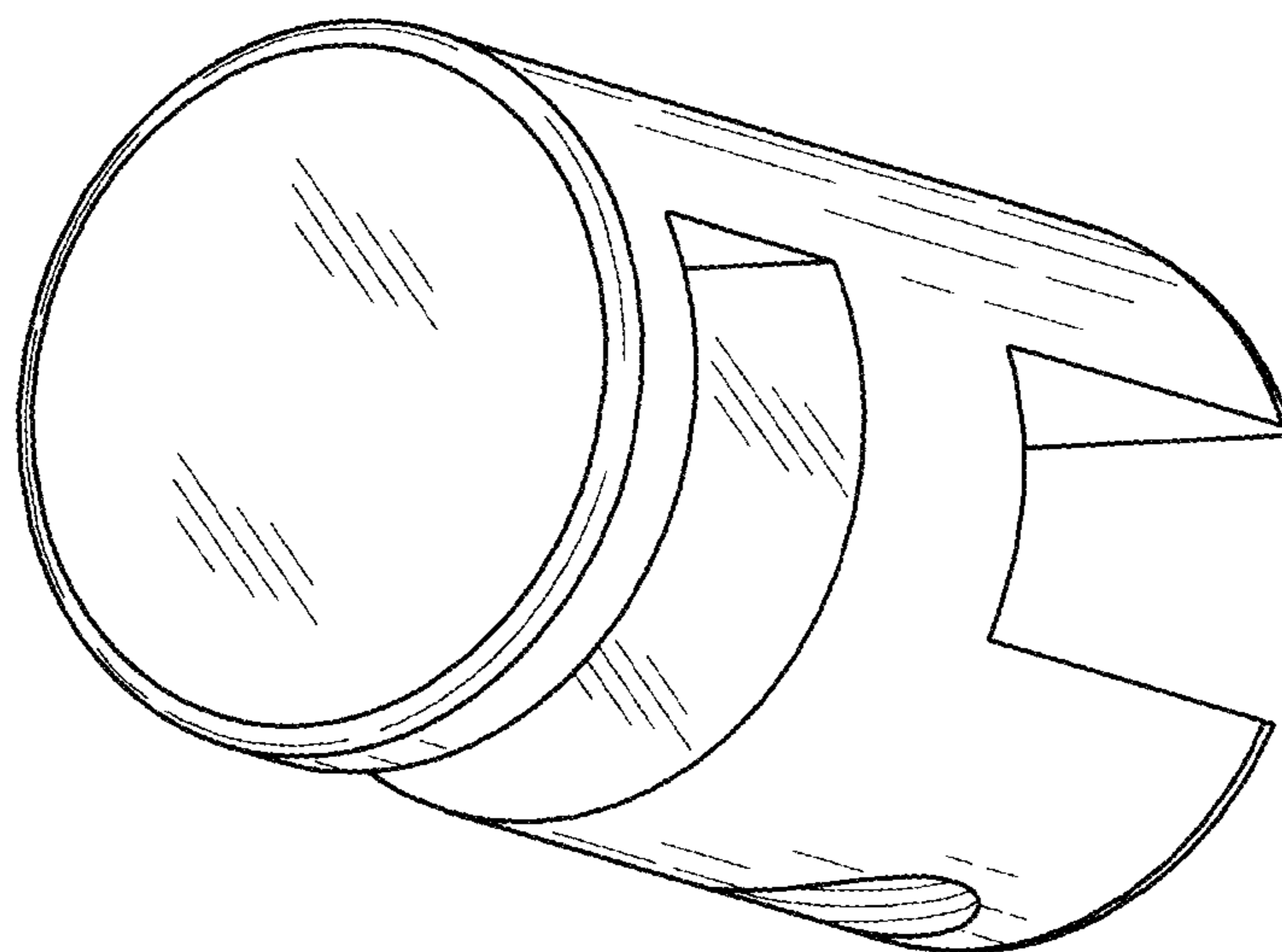


FIG. 1

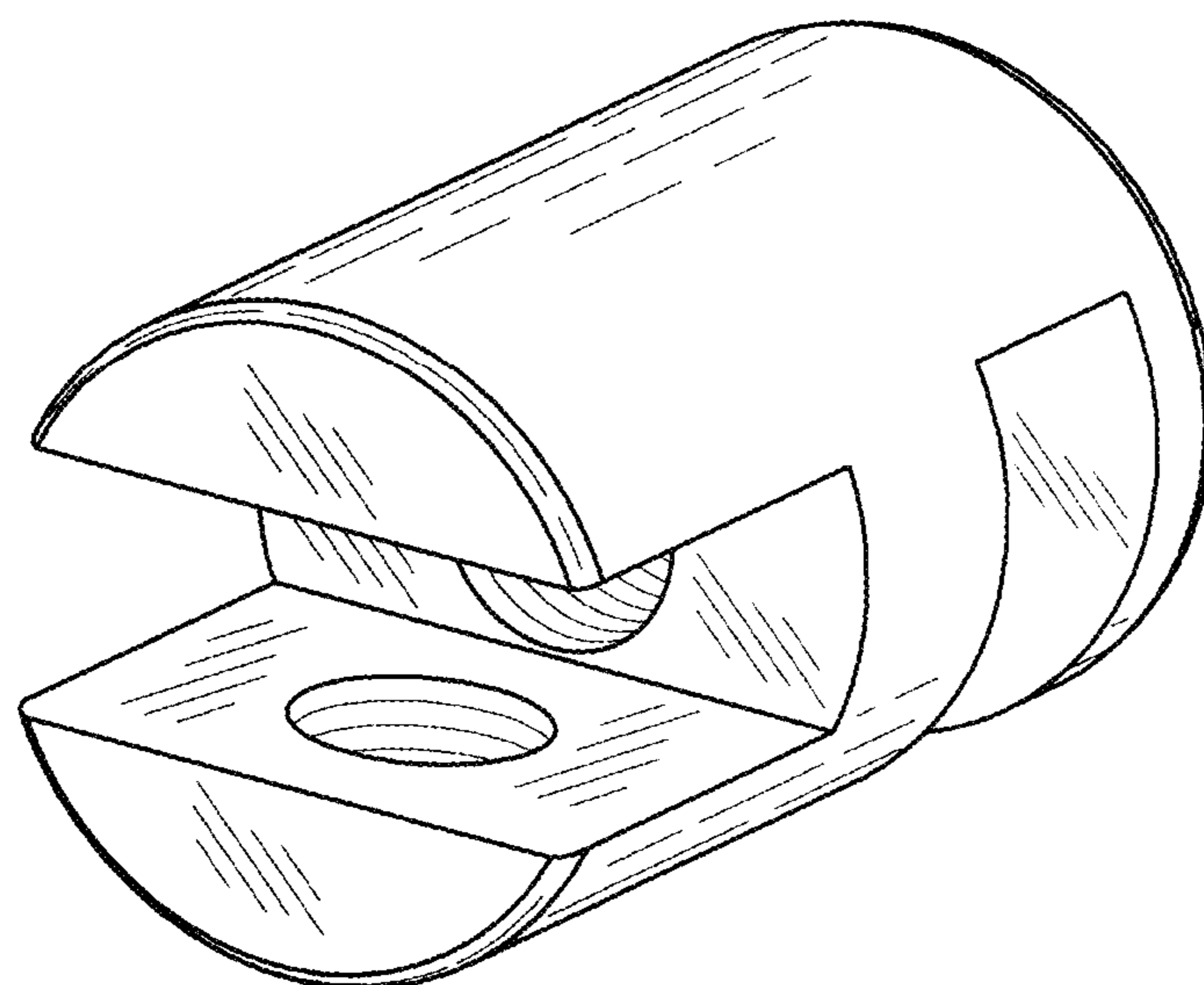


FIG. 2

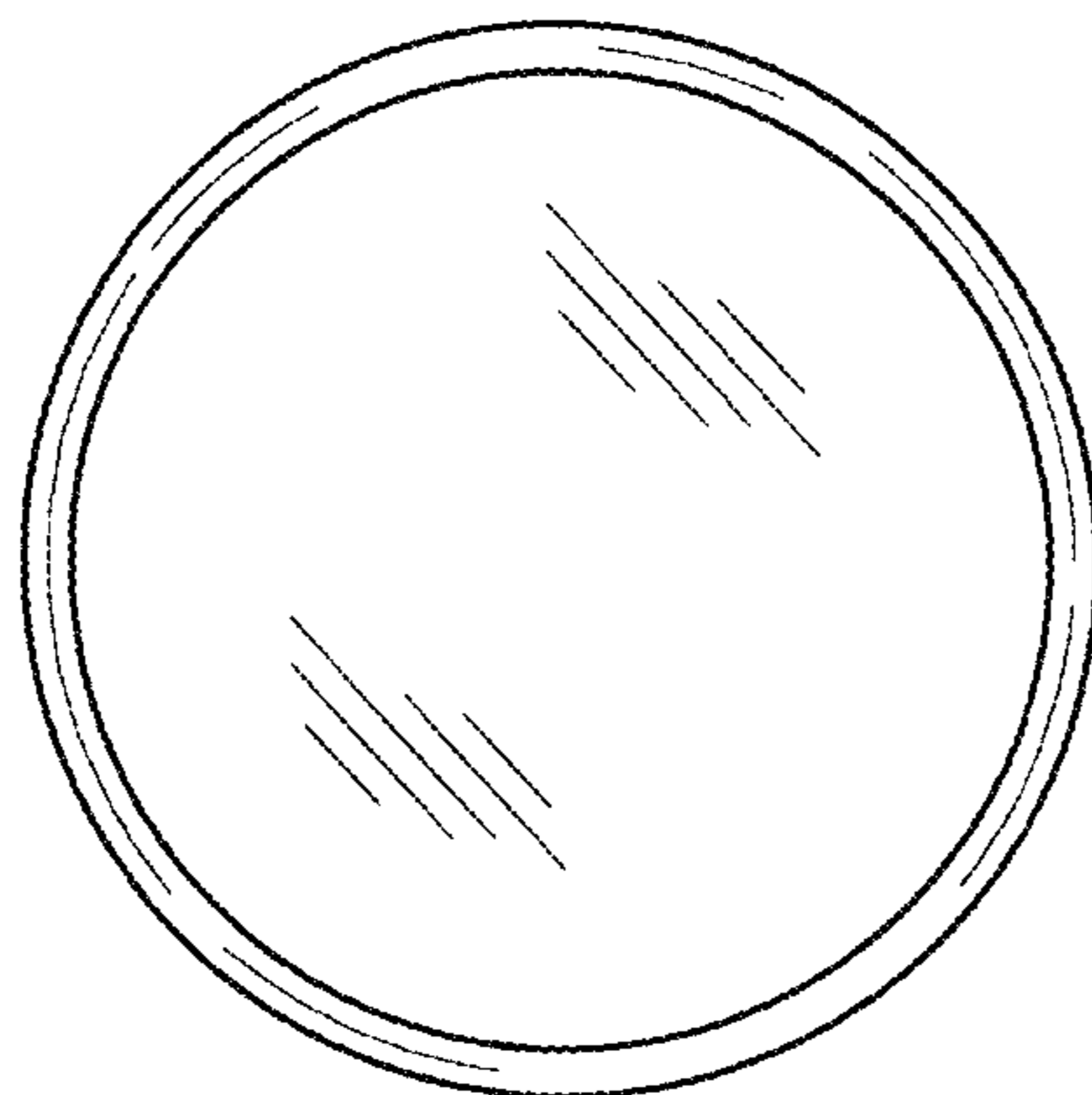


FIG. 3

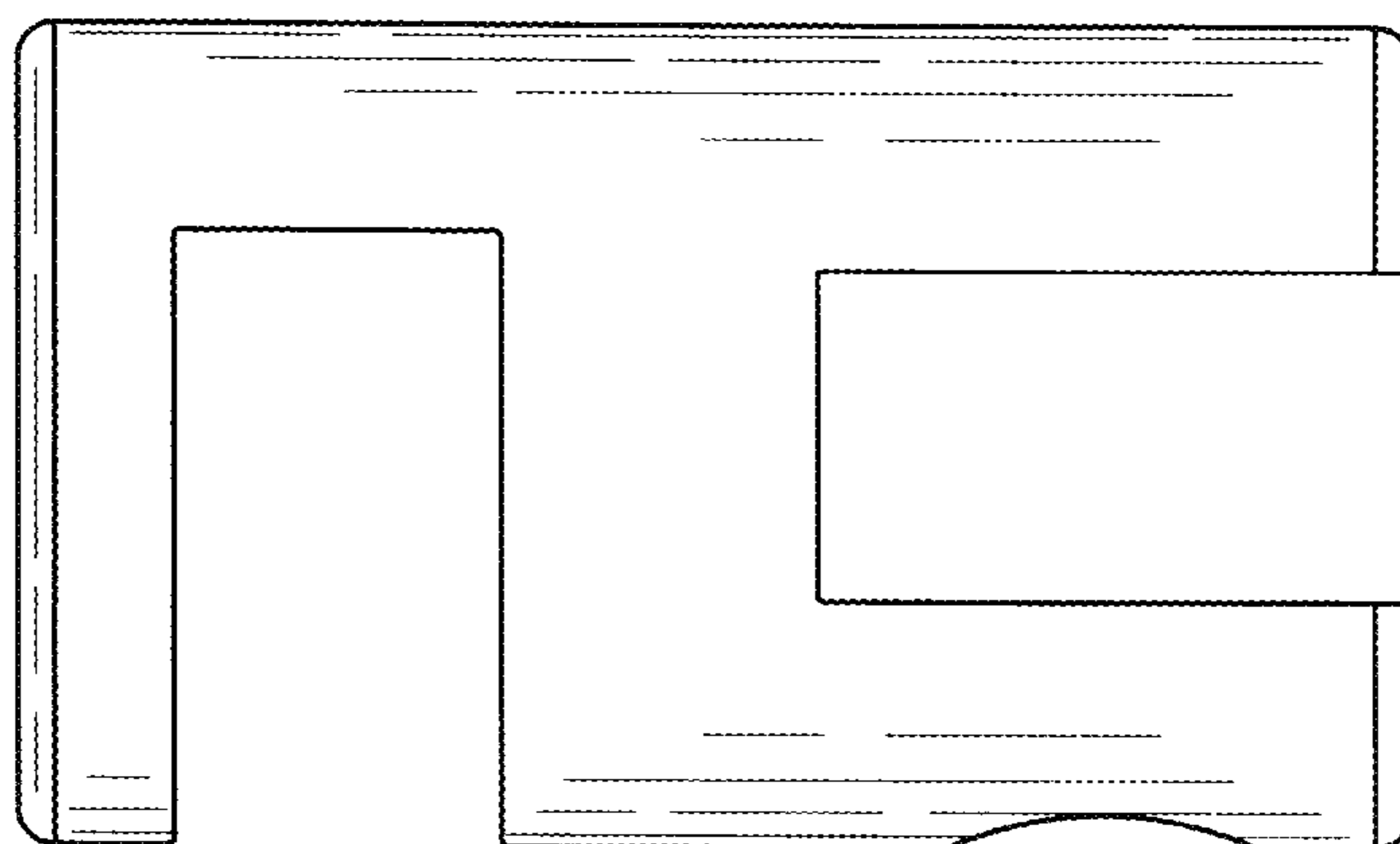


FIG. 4

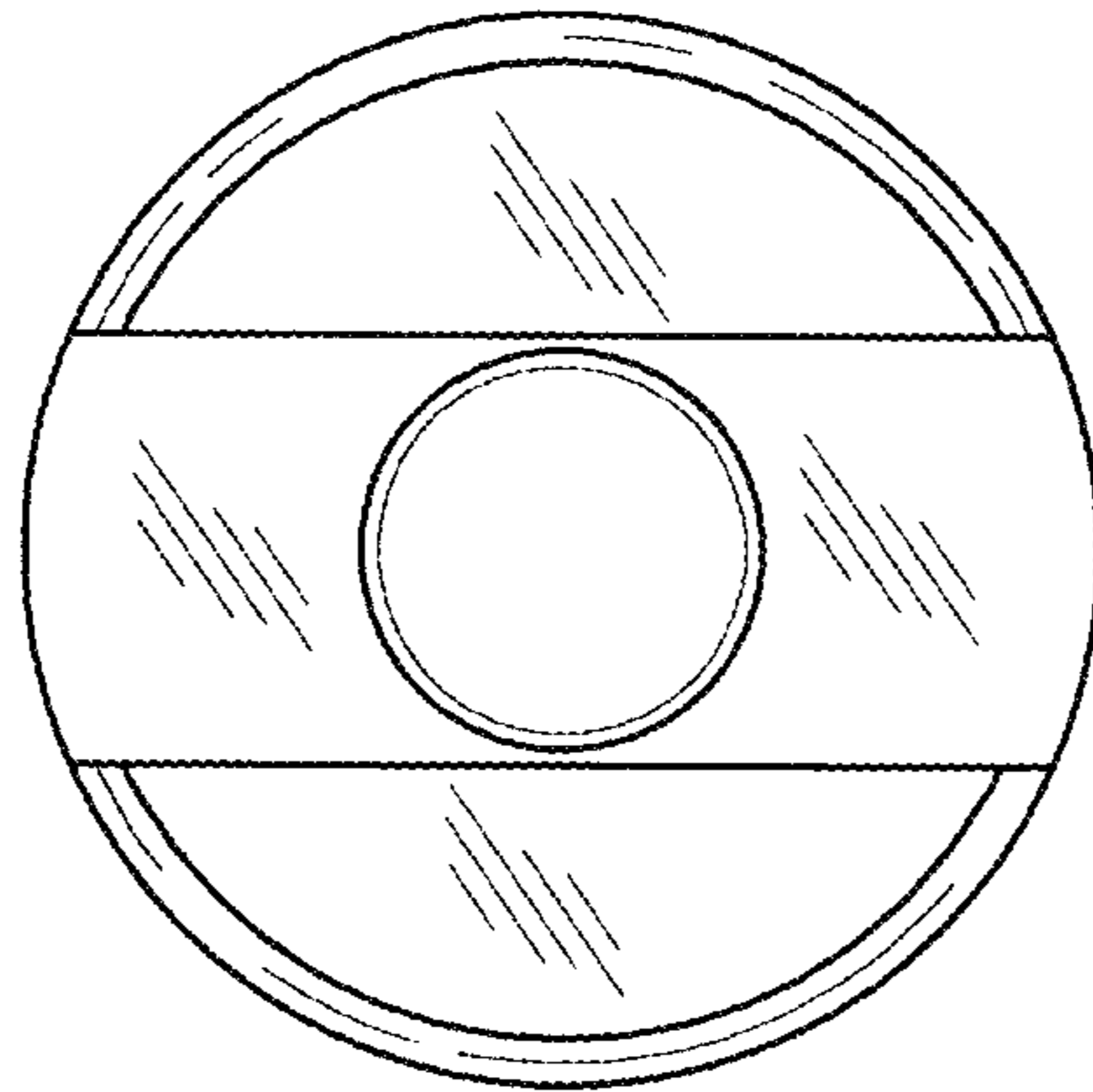


FIG. 5

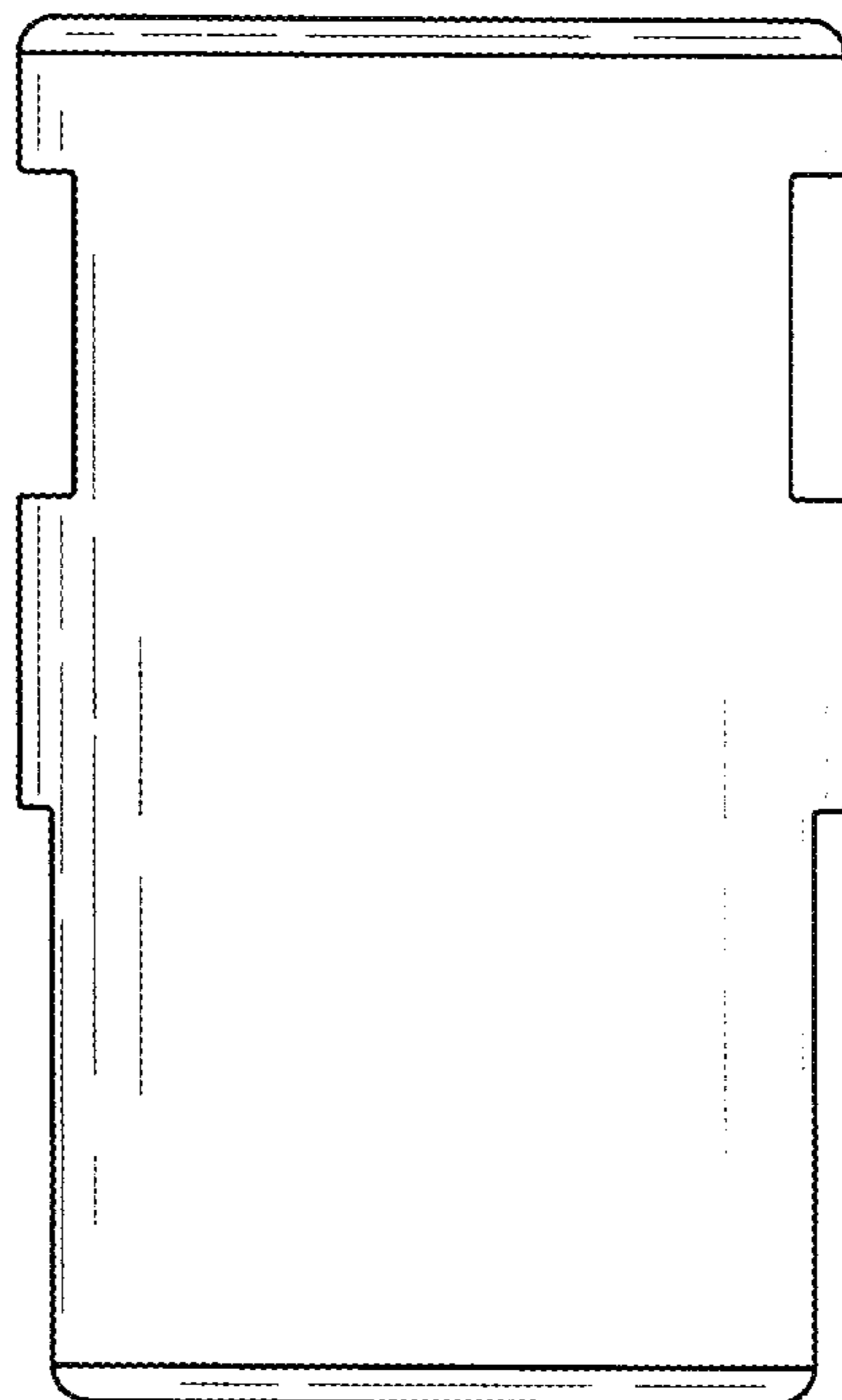


FIG. 6

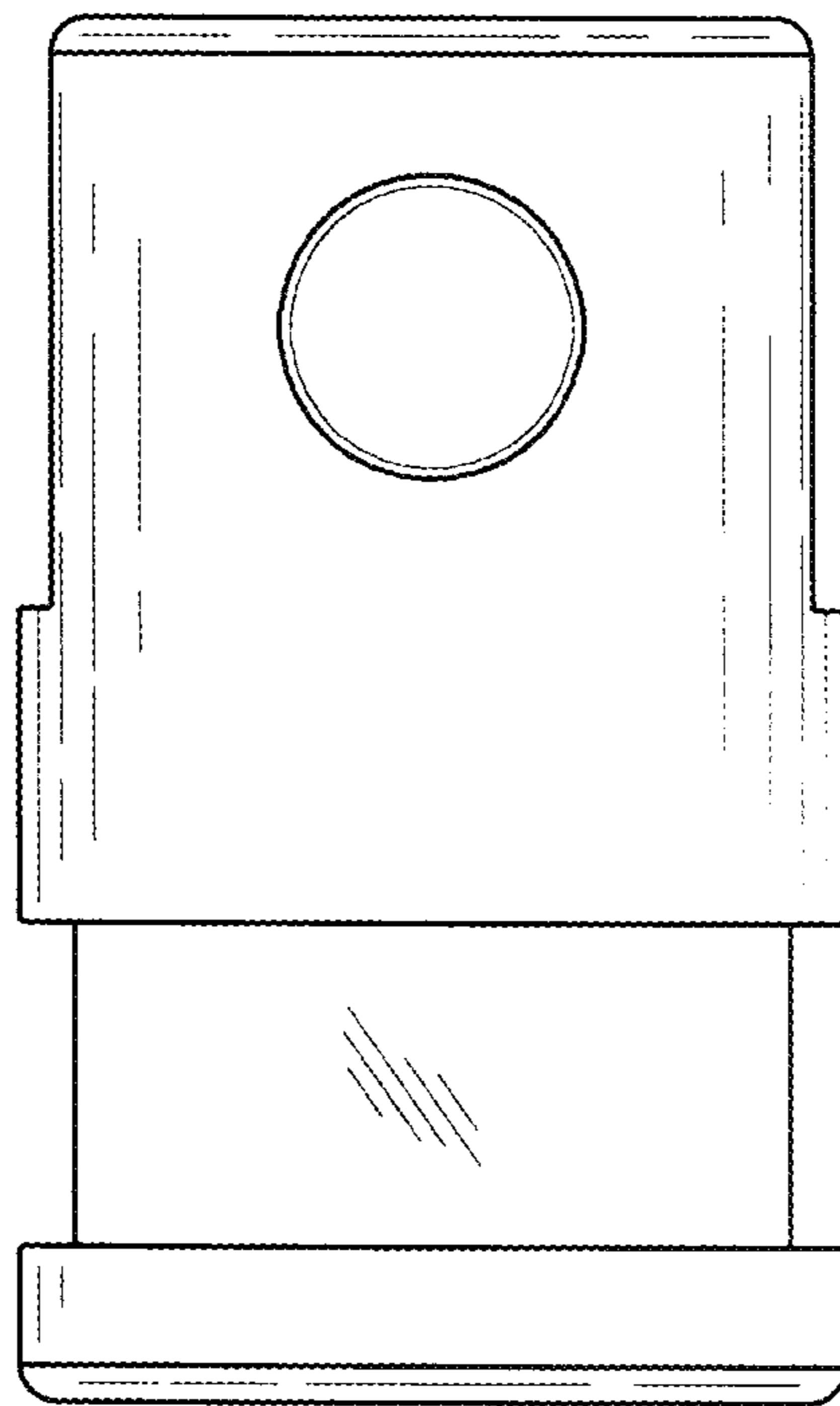


FIG. 7

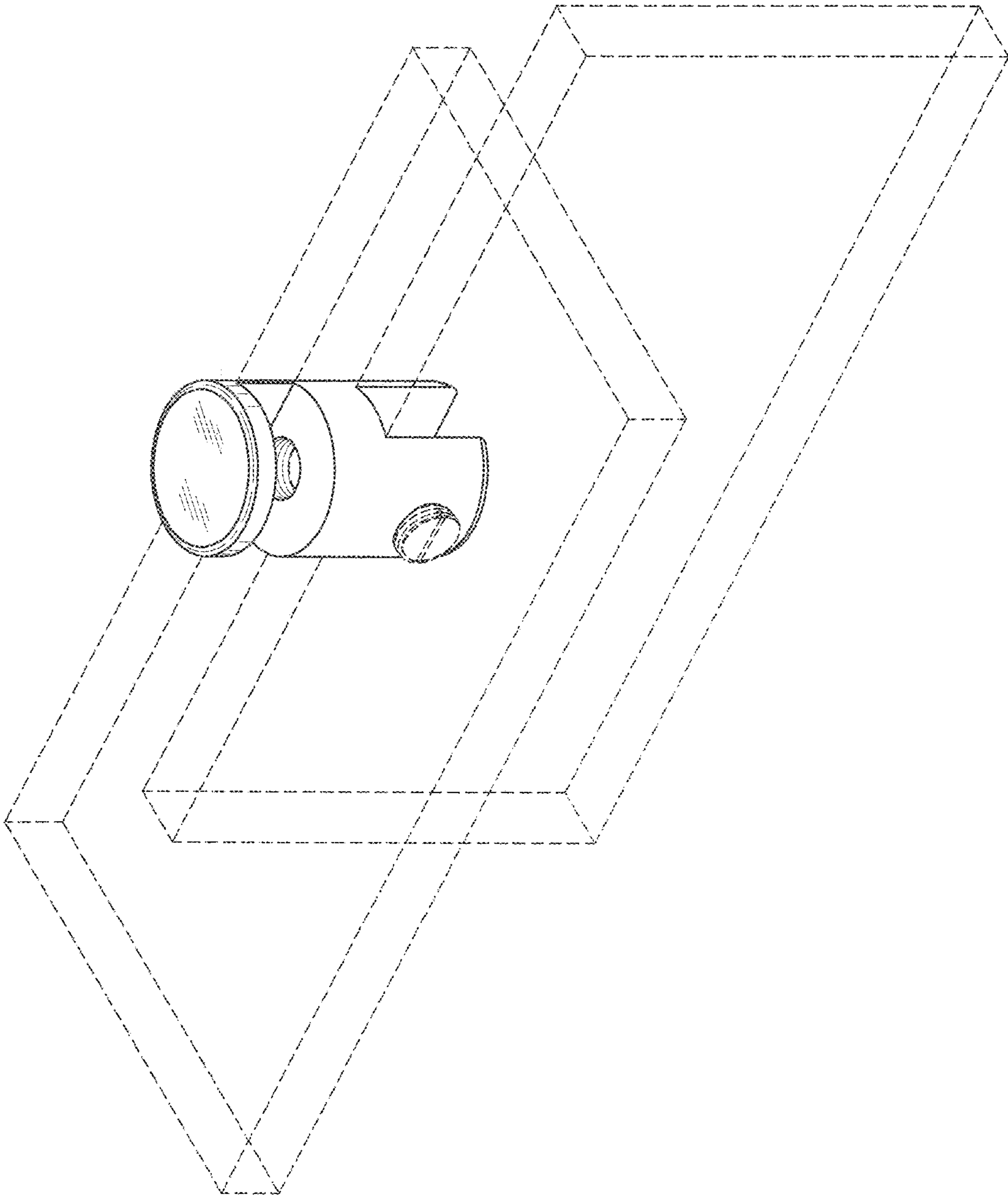


FIG. 8