

US00D867116S

(12) **United States Design Patent** (10) **Patent No.:** **US D867,116 S**
Misselbrook et al. (45) **Date of Patent:** **** Nov. 19, 2019**

(54) **MOUNTING**
(71) Applicant: **PUMPKIN MOUNTS, LLC**, New York, NY (US)
(72) Inventors: **Nicolas K. Misselbrook**, Fife (GB); **Phillip R. Thompson**, Fife (GB)
(73) Assignee: **PUMPKIN MOUNTS, LLC**, New York, NY (US)
(**) Term: **15 Years**
(21) Appl. No.: **29/622,115**
(22) Filed: **Oct. 13, 2017**
(30) **Foreign Application Priority Data**
Apr. 21, 2017 (EM) 003866540-0003
(51) **LOC (12) Cl.** **08-05**
(52) **U.S. Cl.**
USPC **D8/373**
(58) **Field of Classification Search**
USPC D08/373, 358, 359, 354, 71, 330, 336, D08/351, 356, 360.1, 363, 364, 367, 370, D08/372, 379, 381, 382, 395, 396; D06/349, 352; D09/426, 502, 750; D10/72, 73, 89; D11/79, 93; D13/103, D13/107; D19/67; D21/673, 674, 675, D21/839, 840; D25/19, 62, 68, 69; D26/40, 49; D29/122, 124; D30/153, D30/155; D12/162; D34/24, 26
CPC B65H 75/40; B65H 75/4407; B65H 75/4471; B65H 2701/34; B65H 2701/32; B65H 2511/142; B65H 29/008; B65H 2701/33; B65H 54/585; B65H 51/22; B65H 75/08; B65H 75/02; B65H 2301/41485; B65H 75/4468; B65H 2301/414323; B65H 2301/414325; B65H 16/02; B65H 2301/4131; B65H 75/403; B65H 75/441;

(Continued)

(56) **References Cited**
U.S. PATENT DOCUMENTS
6,740 A 9/1849 Warren
D85,522 S * 11/1931 Goldsmith D6/352
(Continued)

FOREIGN PATENT DOCUMENTS
EP 0132048 A1 1/1985
EP 0296974 A1 12/1988
(Continued)

OTHER PUBLICATIONS
Our Businesses / Liberty Engineering / Liberty Vehicle Products / Liberty Defence Dynamics / Pumpkin mounts, posted unknown, [retrieved Jan. 22, 2019]. Retrieved from Internet, <URL: http://www.libertyhousegroup.com/our-businesses/liberty-engineering/liberty-vehicle-products/liberty-defence-dynamics/pumpkin-mounts/>.*
(Continued)

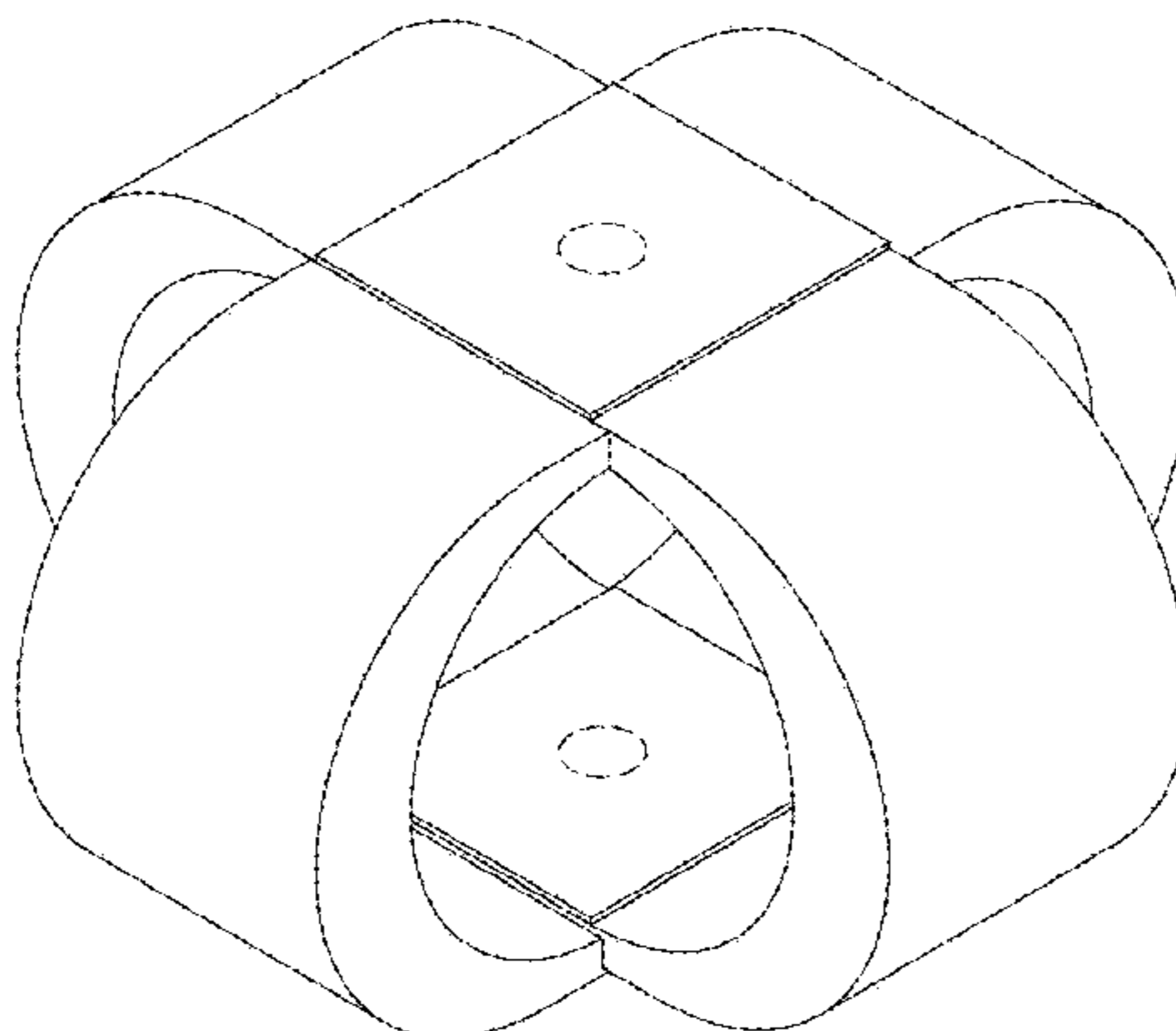
Primary Examiner — Barbara Fox
Assistant Examiner — Kristin E Reed
(74) *Attorney, Agent, or Firm* — Arent Fox LLP

(57) **CLAIM**
The ornamental design for a mounting, as shown and described.

DESCRIPTION

FIG. 1 is a perspective view of a configuration of a mounting showing the new design;
FIG. 2 is a top view thereof;
FIG. 3 is a front view thereof;
FIG. 4 is a side view of the mounting shown in FIG. 3 rotated along the Y-axis; and,
FIG. 5 is a bottom view thereof.
The broken lines shown in the drawings depict portions of the mounting that form no part of the claimed design.

1 Claim, 4 Drawing Sheets



(58) **Field of Classification Search**

CPC B65D 85/66; B65D 85/67; B66D 3/006;
 B66D 3/18; B66D 3/26; B66D 3/02;
 B66D 3/14; B63B 21/18; B63B 21/26;
 B65B 57/005; A61G 7/1051; A61G
 7/1061; B66B 11/08; A62C 33/04; B08B
 2203/0276; B21C 47/28; H02G 11/02;
 A01K 89/003; H04M 1/15; A01D 34/822;
 A47L 9/26; H04R 1/1033; Y10S 24/909;
 E05C 19/10; E05C 17/50; E05C 3/045;
 E05C 3/30; E05C 19/02; E05C 19/026;
 A47G 25/0614; A47G 25/18; A47G
 25/32; A47G 7/047; A47G 7/045; A47G
 7/042; A47G 7/044; F16B 12/44; F16B
 12/46; F16B 5/0614; F16B 12/02; E04B
 1/2612; E04B 2001/2415; E04B 1/5818;
 E04B 1/5831; A47B 88/0055; E04F
 11/1812; F16L 1/0246; A01G 9/024;
 A01G 25/14; A01G 27/001; A01G 9/042;
 A01G 27/005; A01G 31/001; A01G 9/02;
 A01G 9/083; A01G 9/12; B60D 1/185;
 B60P 7/083; B60P 7/0853; B60P 7/0823;
 Y10T 24/2175; Y10T 24/2164

See application file for complete search history.

(56) **References Cited**

U.S. PATENT DOCUMENTS

D117,789 S	*	11/1939	Kranz et al.	D11/121
D216,012 S	*	11/1969	Buchsbaum et al.	D6/352
D312,386 S	*	11/1990	Poivre	248/300
D574,292 S	*	8/2008	Jost	D11/131
D624,393 S	*	9/2010	Frey	D8/373
D663,901 S	*	7/2012	Vito	D29/122
D681,356 S	*	5/2013	Iwasaki	D6/349
D772,590 S	*	11/2016	Itzhak-Sigron	D6/352
D818,730 S	*	5/2018	Melbostad	D6/352
D822,524 S	*	7/2018	Matsumoto	D11/1
D823,673 S	*	7/2018	Jiang	F16M 13/027 D8/373
2009/0279998 A1		11/2009	Fukuda		
2018/0216687 A1*		8/2018	Thompson	F16F 15/085

FOREIGN PATENT DOCUMENTS

EP	0566436	A1	10/1993
GB	1057750	A	2/1967
GB	2330642	A	4/1999
JP	2006207637	A	8/2006
JP	2011127384	A	6/2011

OTHER PUBLICATIONS

PumpkinMount—Gradient2, posted Mar. 30, 2017, [retrieved Jan. 22, 2019]. Retrieved from Internet, <URL: <http://pumpkinmounts.com/home/pumpkinmount-gradient2/> >.*

Thornton Tomasetti launches new tech company, posted May 10, 2016, [retrieved Jan. 22, 2019]. Retrieved from Internet, <URL: <https://www.bdcnetwork.com/thornton-tomasetti-launches-new-tech-company> >.*

Pumpkin Mounts Thornton Tomasetti, posted Apr. 12, 2016, [retrieved Jan. 22, 2019]. Retrieved from Internet, <URL: <https://www.youtube.com/watch?v=uBtHyYCgACg> >.*

Pumpkin Mounts Thornton Tomasetti, posted Apr. 12, 2016, [retrieved Jan. 22, 2019]. Retrieved from Internet, <URL: <https://www.youtube.com/watch?v=clbHF9AcIIa> >.*

Thornton Tomasetti Awarded for Innovative Technology That Greatly Advances Testing of Navy Ship Survivability, posted Dec. 15, 2017, [retrieved Jan. 22, 2019]. Retrieved from Internet, <URL: <http://www.ttwiin.com/blog/thornton-tomasetti-awarded-for-innovative-technology-that-greatly-advances-testing-of-navy-ship-surviva> >.*

Shock & Vibration Components: Circular Wire Rope Isolators; Elliptic Leaf Spring Mounts, posted unknown, [retrieved Jan. 22, 2019]. Retrieved from Internet, <URL: <http://www.vibrationmounts.com/WireRopeIsolators.htm> >.*

Home / Rubber Metal Mounts / Wire Rope Mount, posted Dec. 2016, [retrieved Jan. 22, 2019]. Retrieved from Internet, <URL: <https://vibrationsolutions.com.au/product/wire-rope-mount/> >.*

International Search Report for PCT/GB2016/050989 dated Jul. 27, 2016, 5 pages.

International Preliminary Report on Patentability and Written Opinion of the International Searching Authority issued for PCT/GB2016/050989, dated Oct. 17, 2017.

* cited by examiner

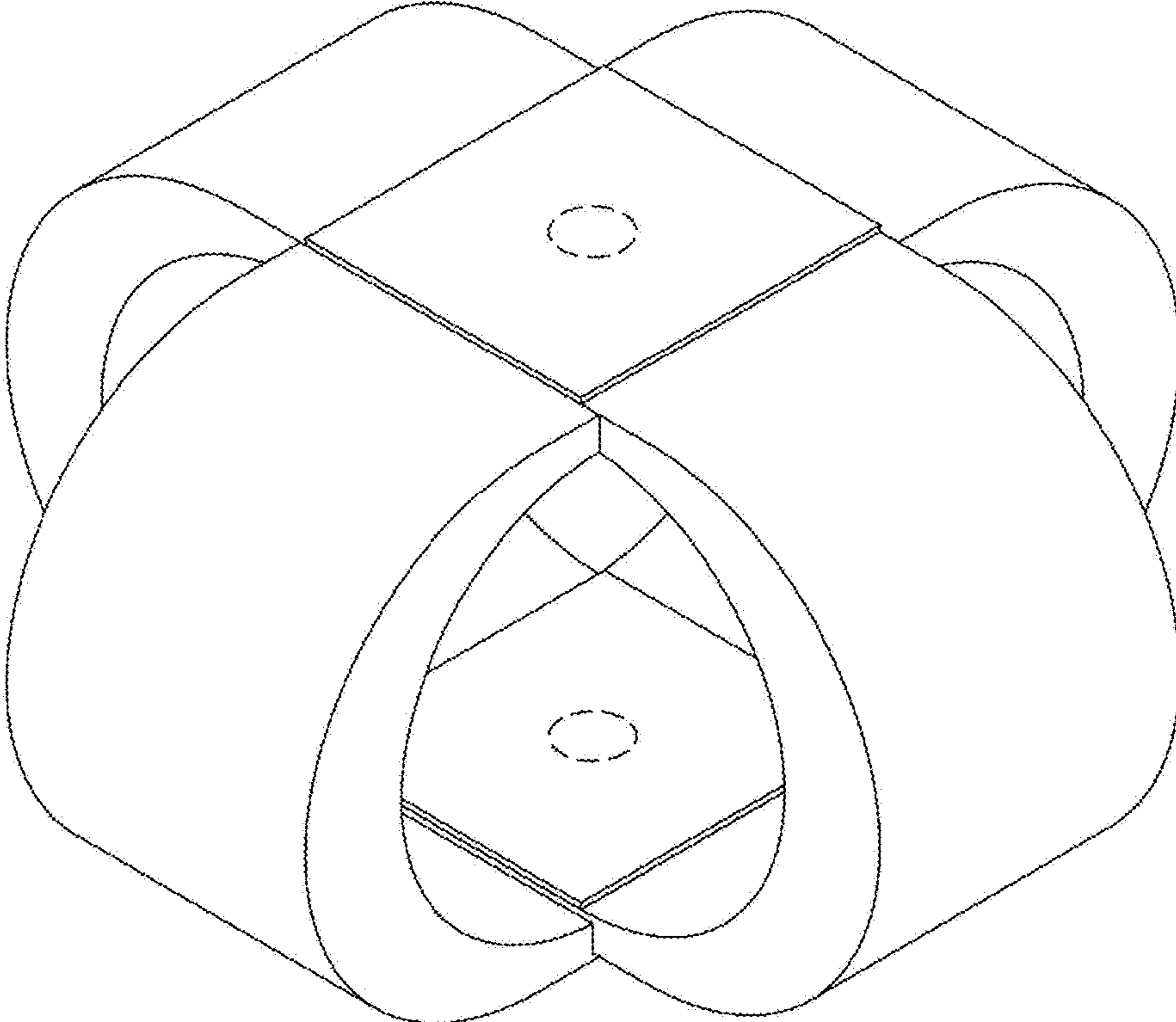


FIG. 1

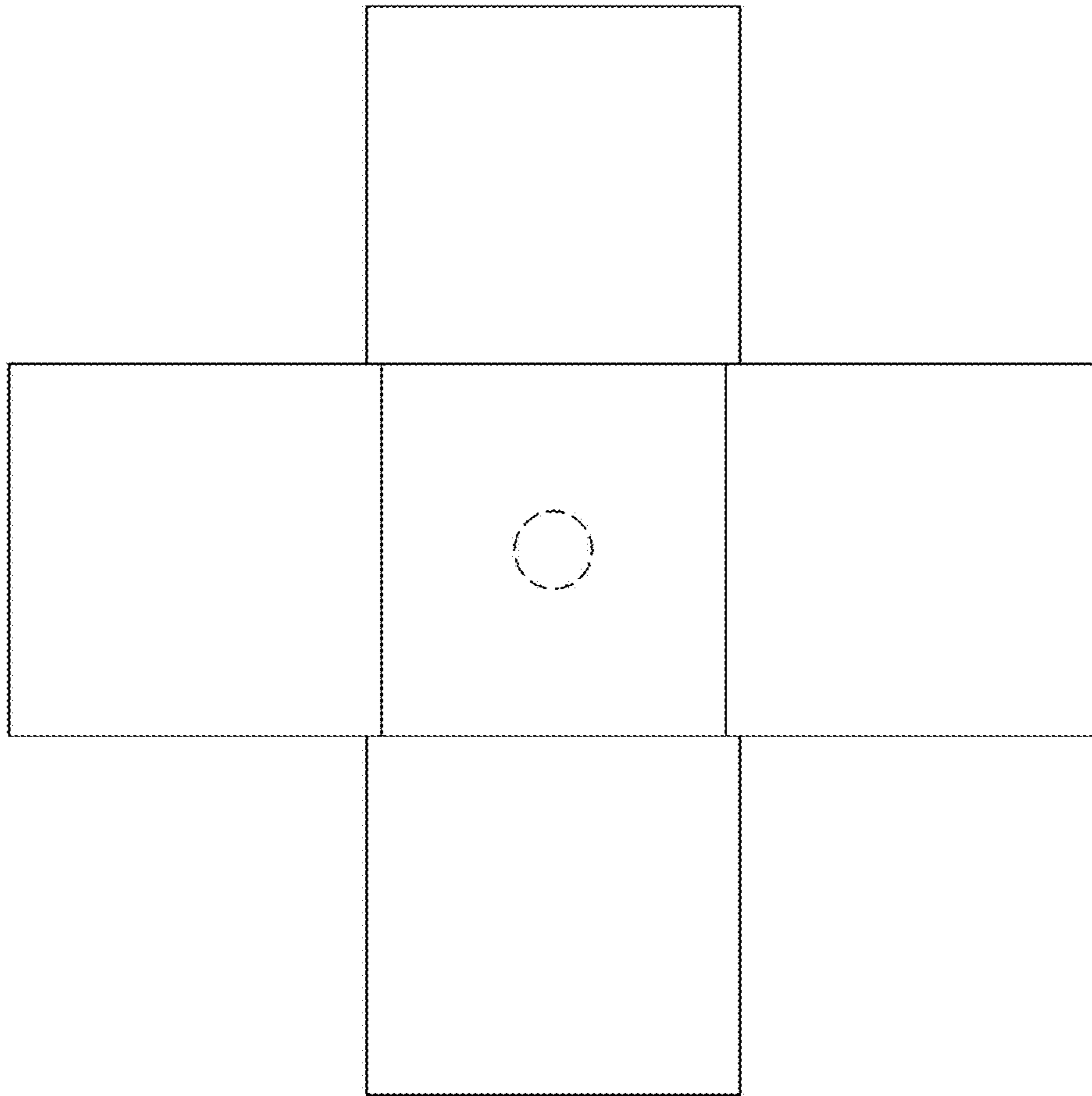


FIG. 2

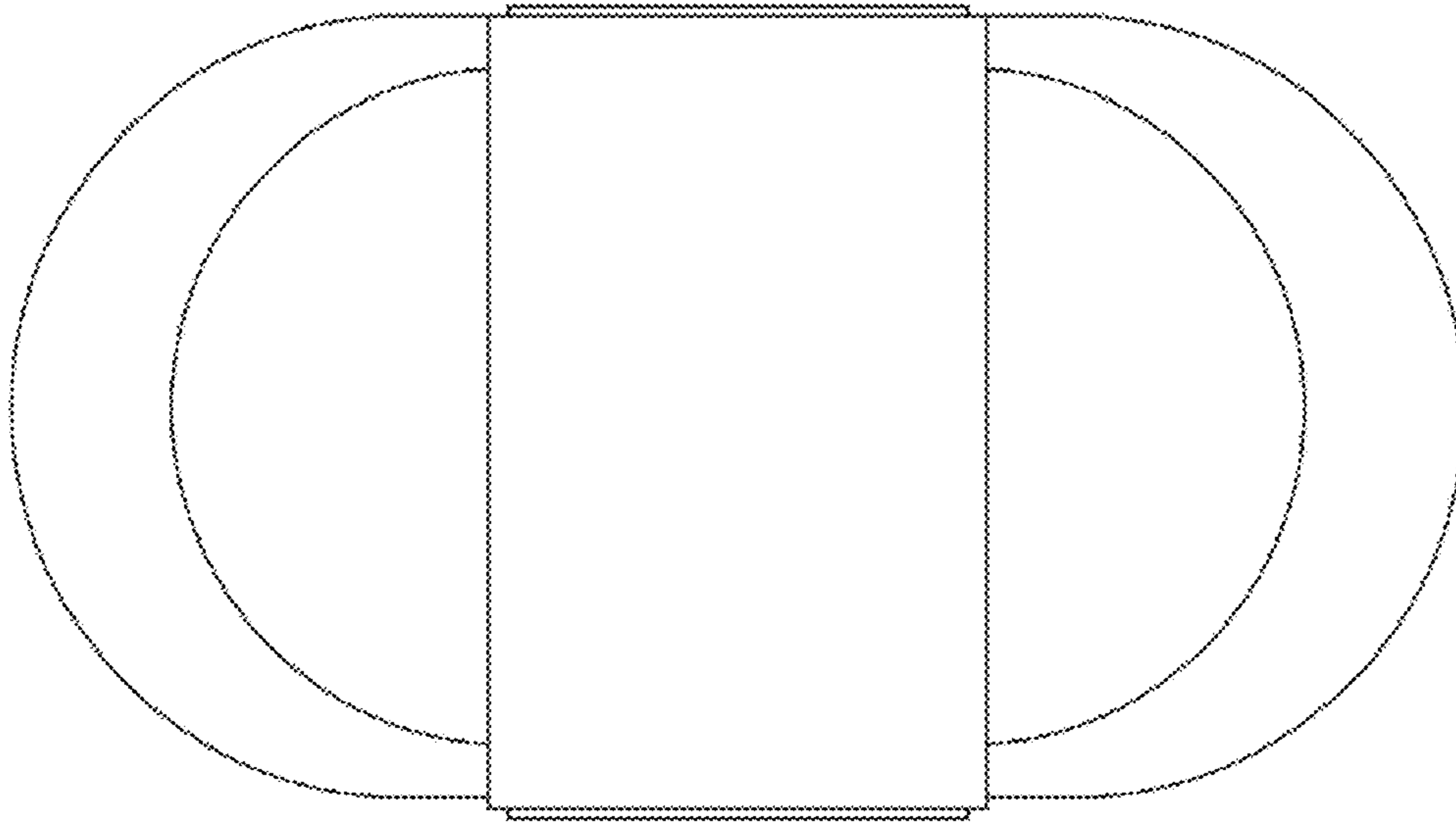


FIG. 3

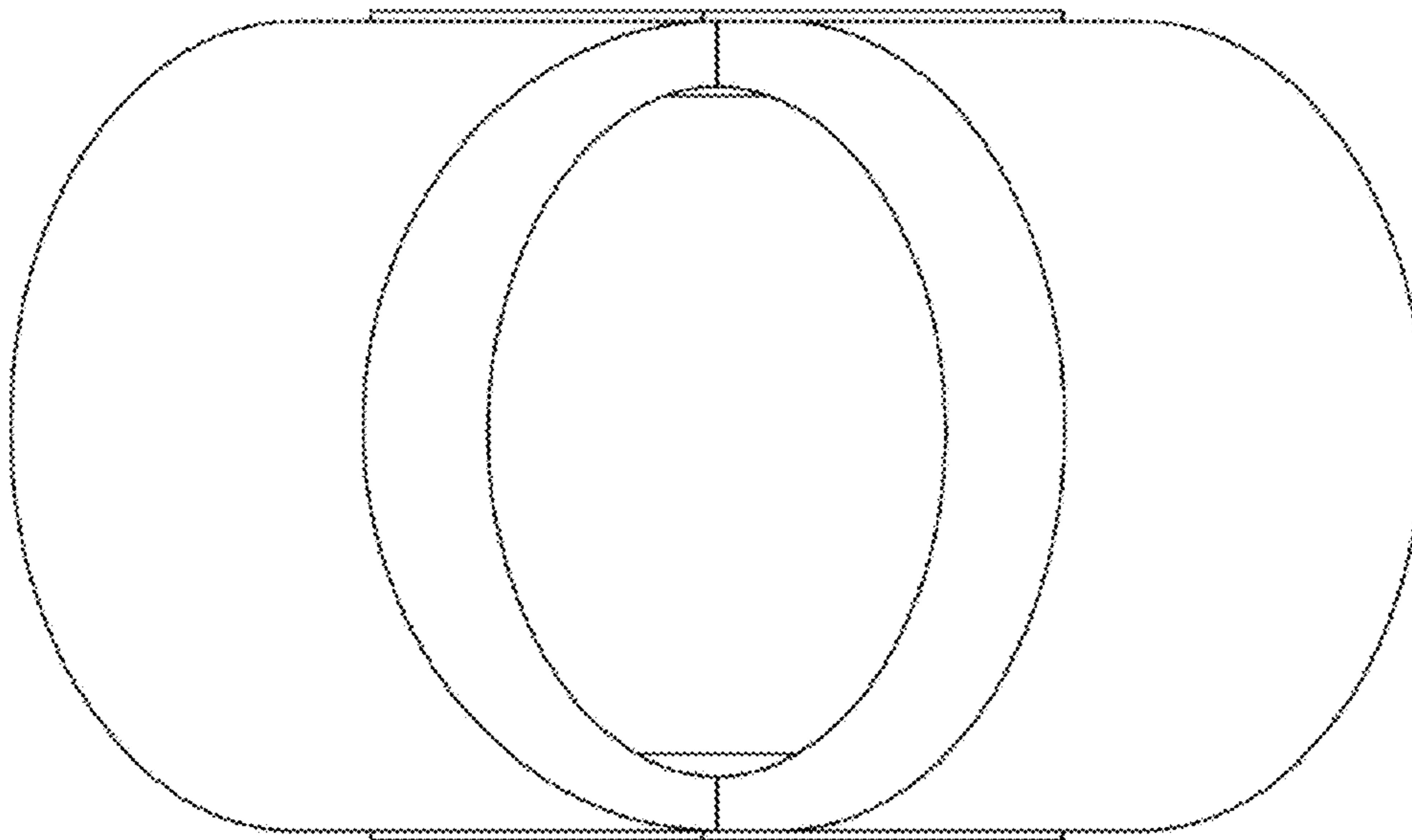


FIG. 4

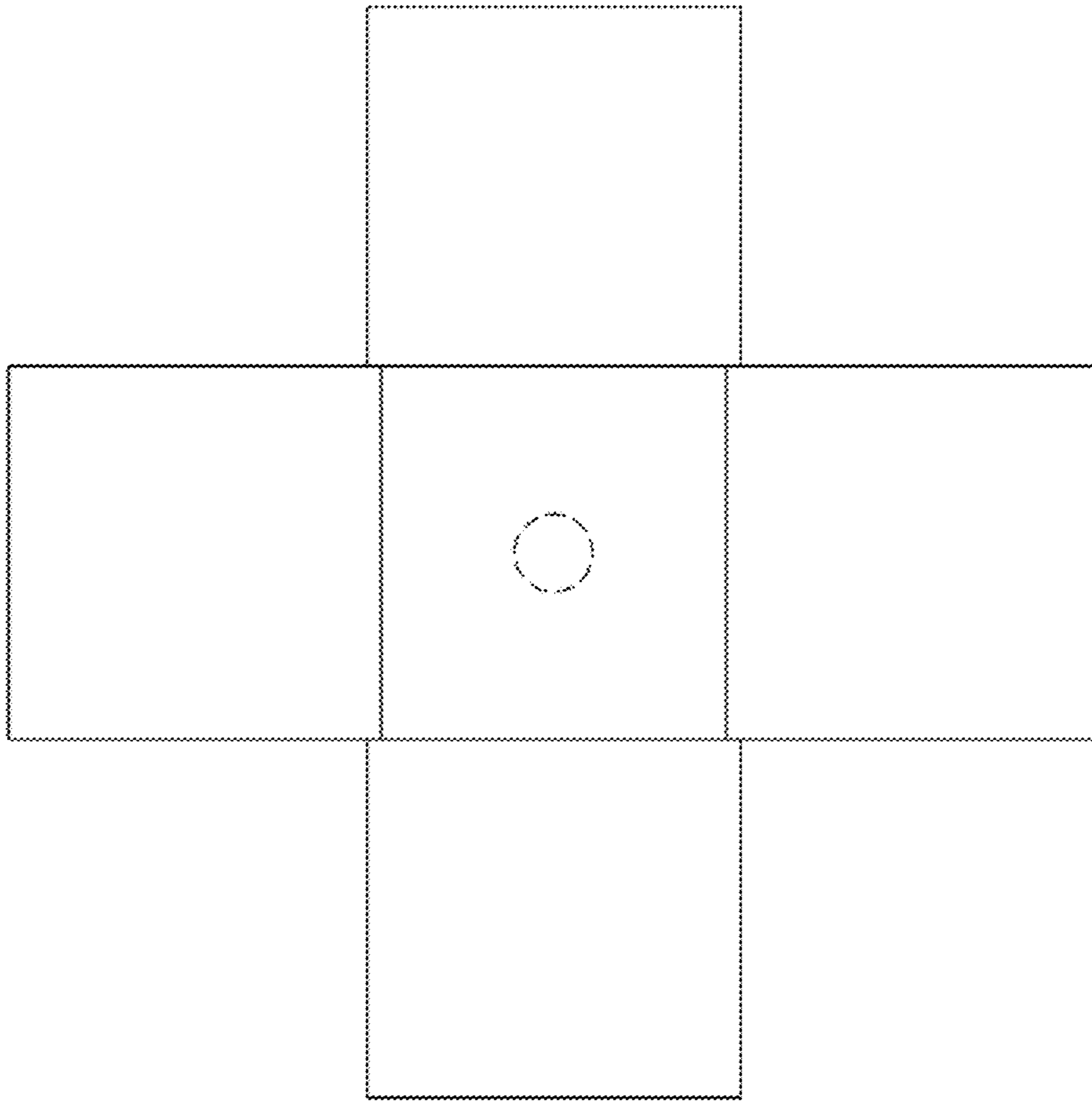


FIG. 5