



US00D867114S

(12) **United States Design Patent**  
**Woolman et al.**

(10) **Patent No.:** **US D867,114 S**

(45) **Date of Patent:** **\*\* Nov. 19, 2019**

(54) **HOOK BASE**

(71) Applicant: **FLINT GROUP IP HOLDINGS LIMITED**, London (GB)

(72) Inventors: **Daniel Woolman**, London (GB); **Stuart Woolman**, Charlotte, NC (US)

(\*\*) Term: **15 Years**

(21) Appl. No.: **29/685,393**

(22) Filed: **Mar. 28, 2019**

**Related U.S. Application Data**

(62) Division of application No. 29/640,515, filed on Mar. 15, 2018.

(51) **LOC (12) Cl.** ..... **08-05**

(52) **U.S. Cl.**  
USPC ..... **D8/367**

(58) **Field of Classification Search**  
USPC ..... D8/367, 354, 394, 18, 105, 356;  
D11/208, 218; 248/341; D6/323  
CPC ..... F16M 13/02; A44B 13/0029; A45F 5/021;  
A45F 5/02; F16B 45/00; A47G 25/00;  
A47G 1/00  
See application file for complete search history.

(56) **References Cited**

**U.S. PATENT DOCUMENTS**

D536,952 S \* 2/2007 Vejmarker ..... D8/354  
D553,969 S \* 10/2007 Allsopp ..... D8/394  
D598,276 S \* 8/2009 Rhee ..... D8/367  
D603,688 S \* 11/2009 Chiu ..... D8/367  
D668,936 S \* 10/2012 Wyatt ..... D8/367

D671,816 S \* 12/2012 Stone ..... D8/349  
D700,502 S \* 3/2014 Smith ..... D8/349  
D700,831 S \* 3/2014 Ng ..... D8/380  
D700,833 S \* 3/2014 Ng ..... D8/380  
D821,184 S \* 6/2018 Berger ..... D8/367  
D831,474 S \* 10/2018 Littrell ..... D8/382  
D833,262 S \* 11/2018 Royak ..... D8/373  
D850,890 S \* 6/2019 Cole ..... D8/354  
2007/0245679 A1\* 10/2007 Conville ..... E04B 2/7457  
52/712  
2009/0178358 A1\* 7/2009 Boyd ..... E04B 9/02  
52/489.2  
2014/0017025 A1\* 1/2014 Hemingway ..... F16B 1/0014  
411/15

\* cited by examiner

*Primary Examiner* — Cynthia R Underwood

(74) *Attorney, Agent, or Firm* — Benesch, Friedlander, Coplan & Aronoff LLP

(57) **CLAIM**

The ornamental designs for a hook base, as shown and described.

**DESCRIPTION**

FIG. 1 is a front perspective view of a hook base having the claimed design.

FIG. 2 is a rear perspective view of the hook base.

FIG. 3 is a front elevational view of the hook base.

FIG. 4 is a rear elevational view of the hook base.

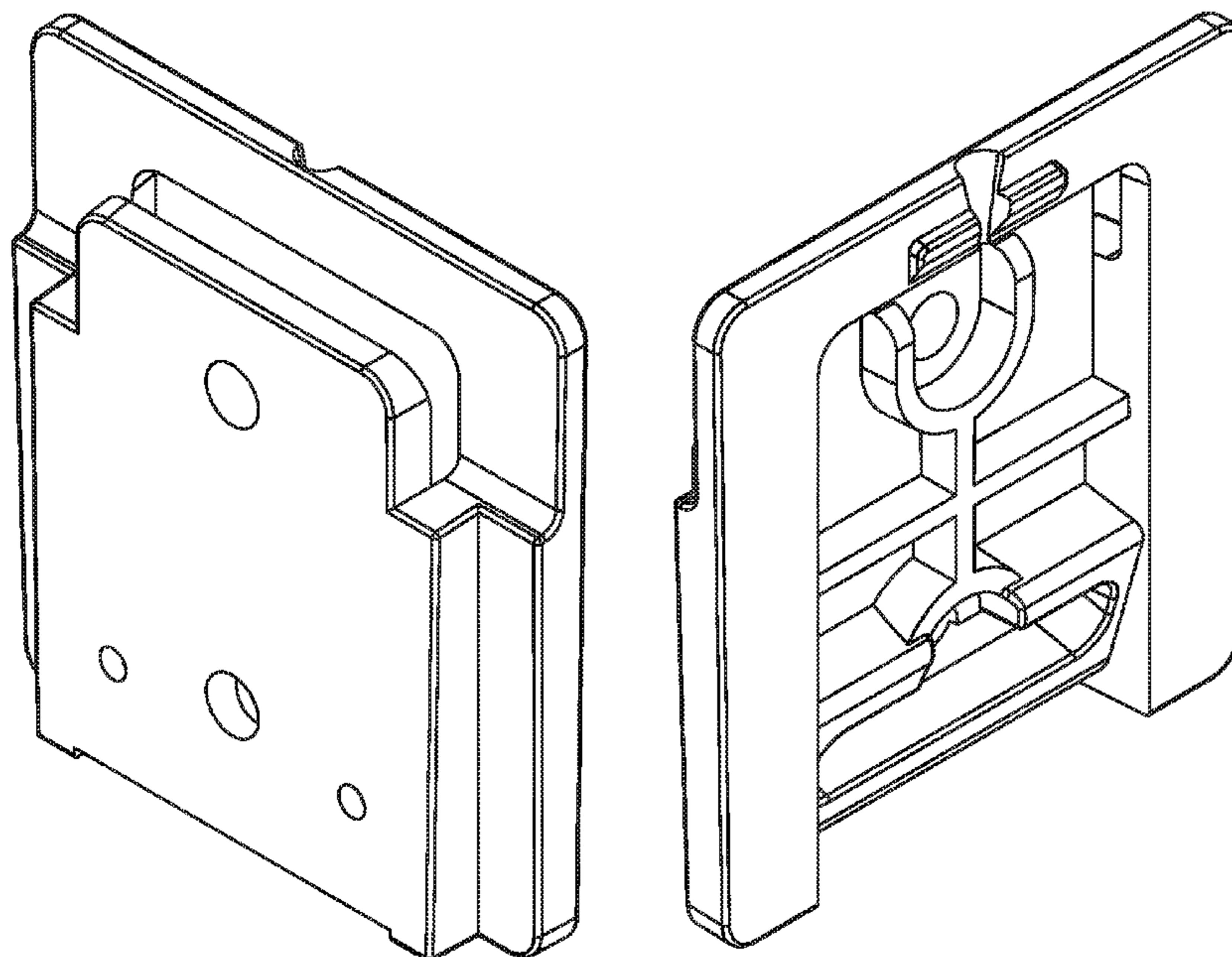
FIG. 5 is a side view of the hook base.

FIG. 6 is a side view opposite the side view of FIG. 5.

FIG. 7 is a top view of the hook base; and,

FIG. 8 is a bottom view of the hook base.

**1 Claim, 2 Drawing Sheets**



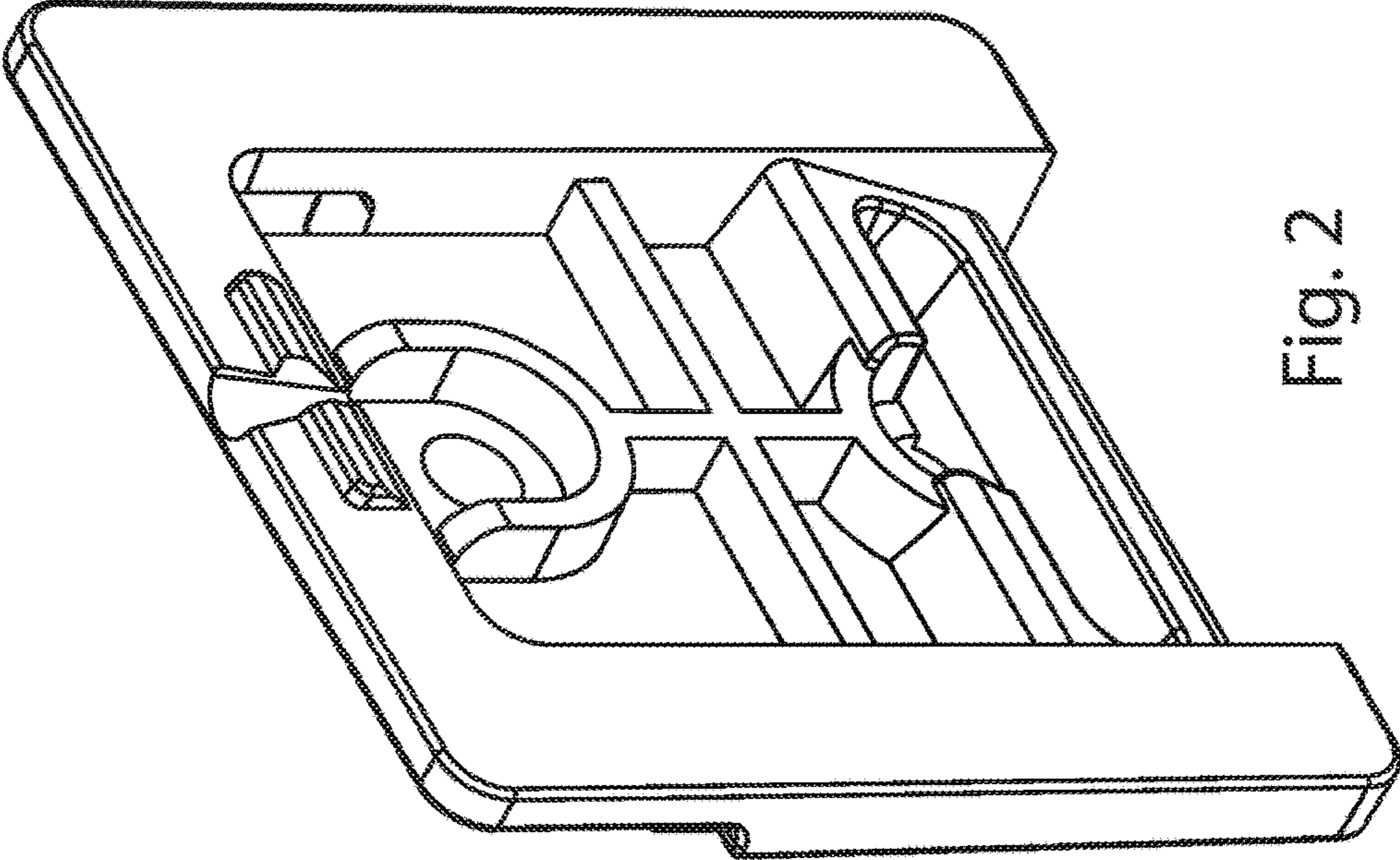


Fig. 2

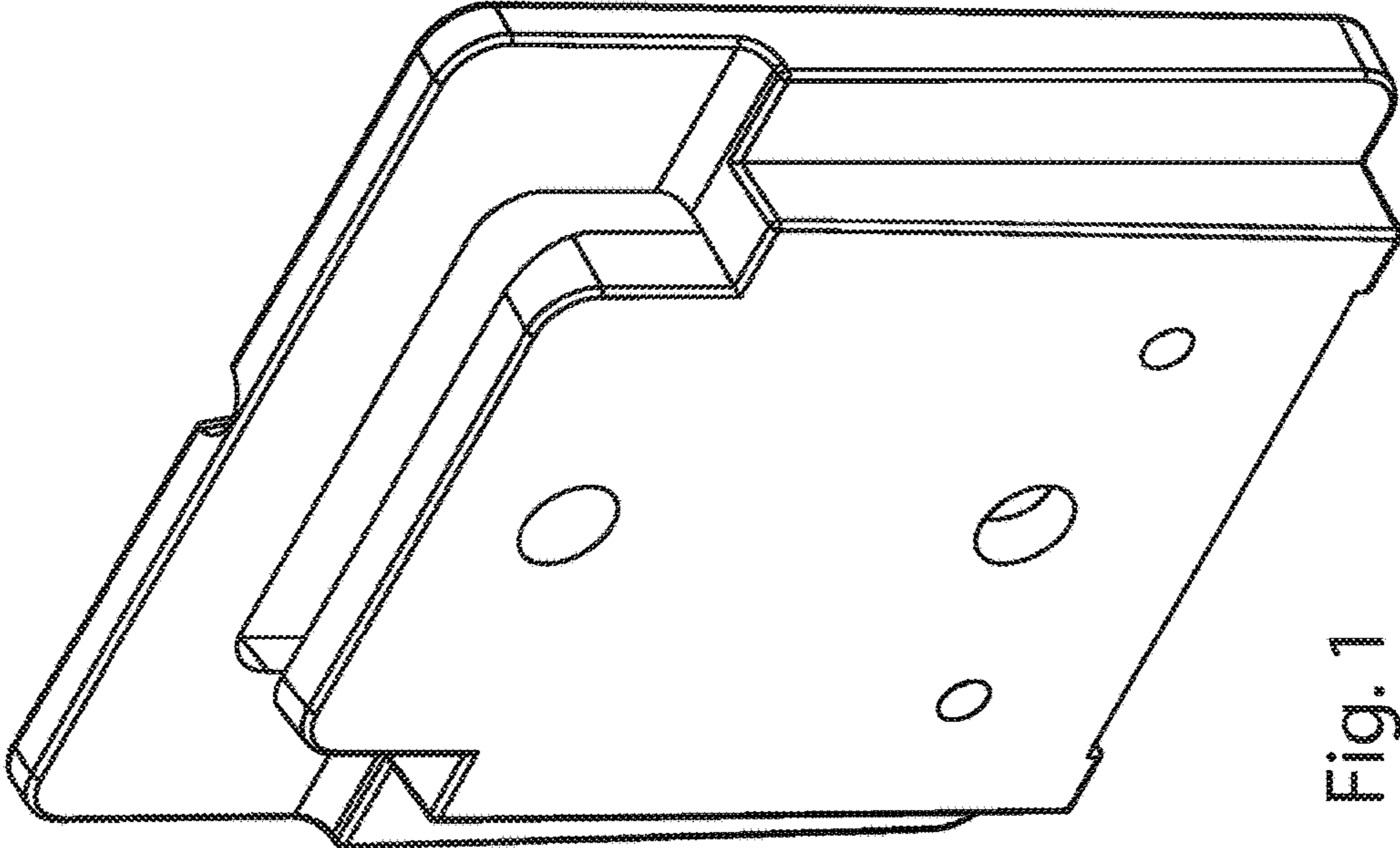


Fig. 1

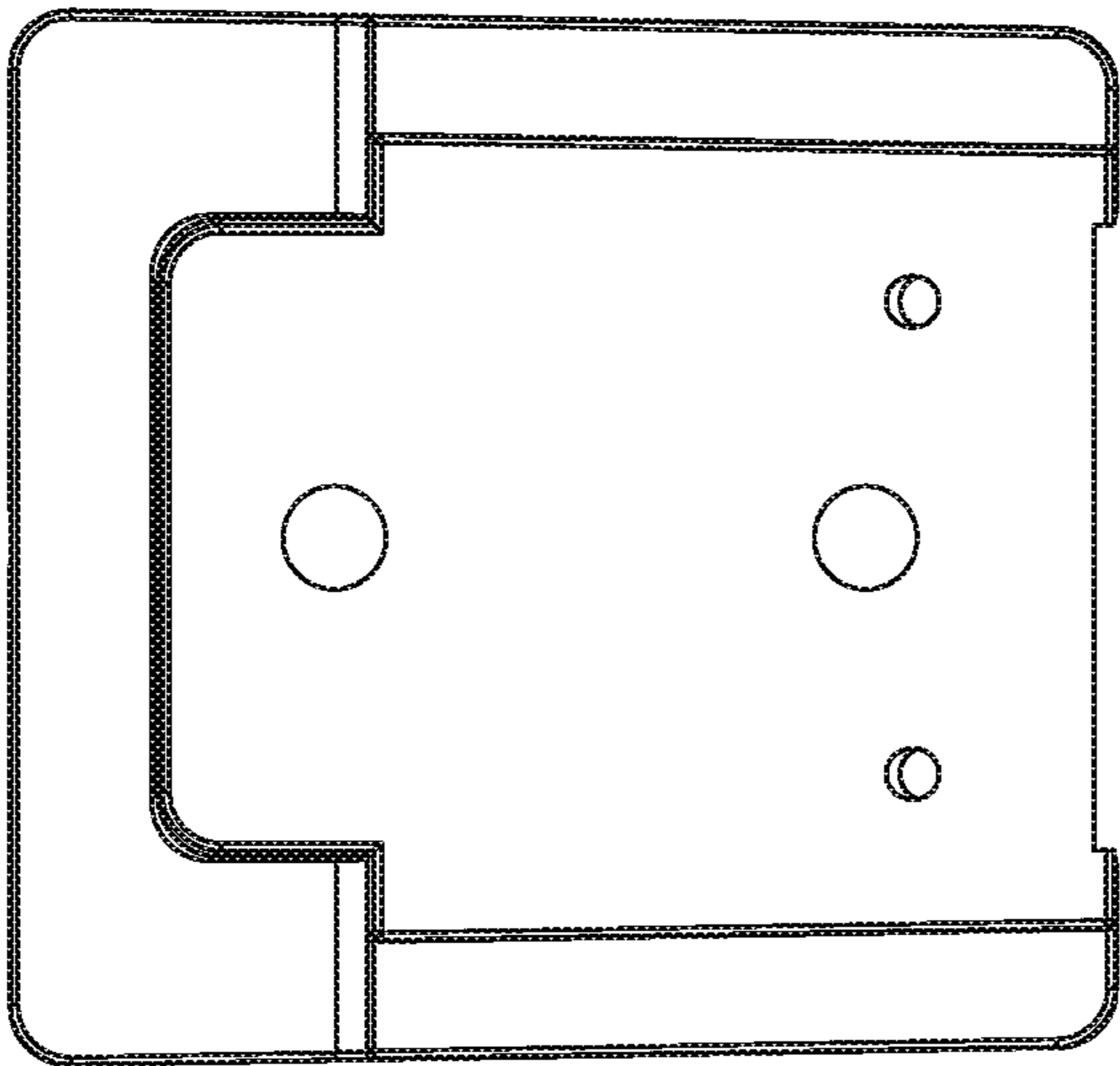


Fig. 3

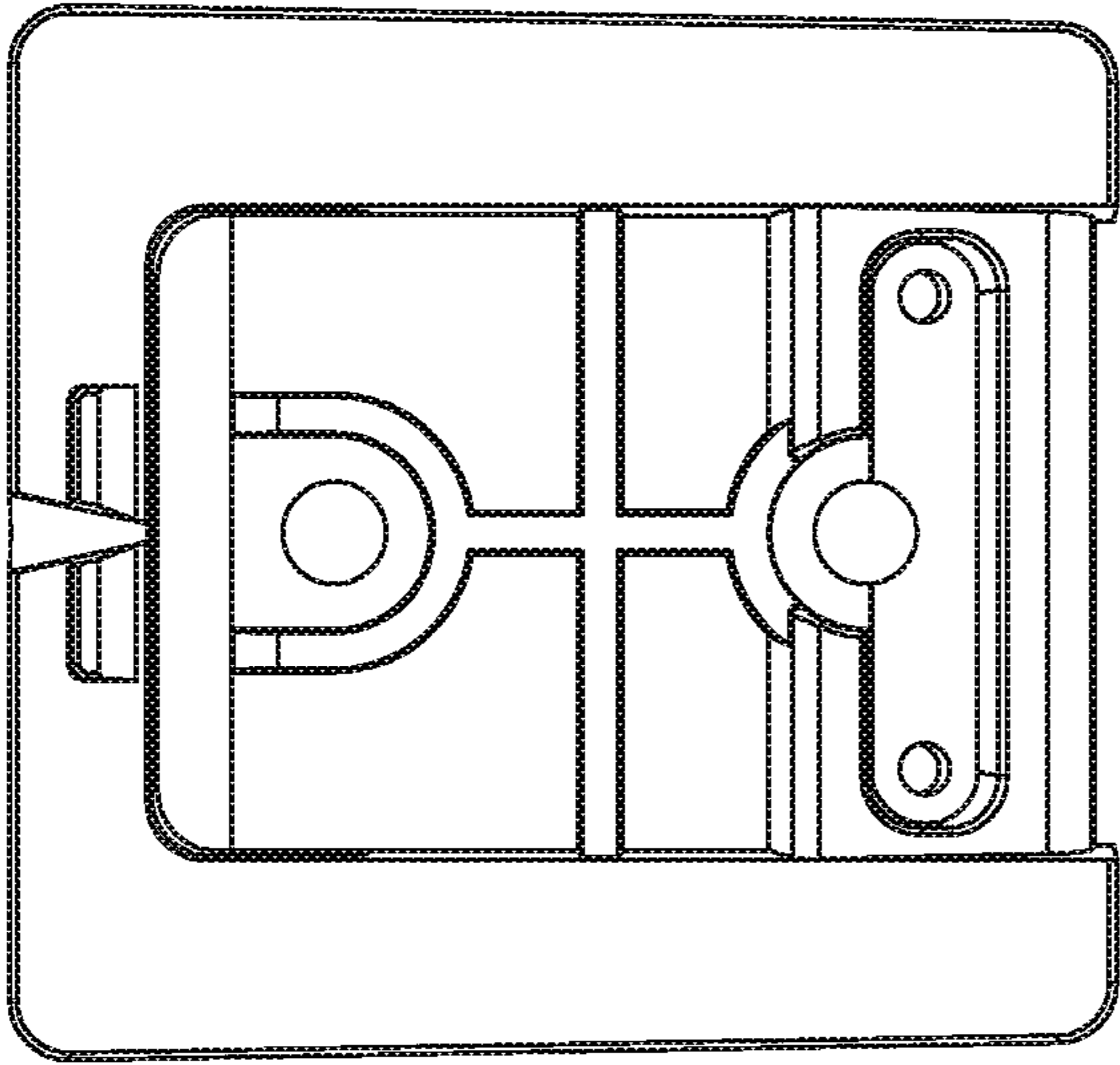


Fig. 4

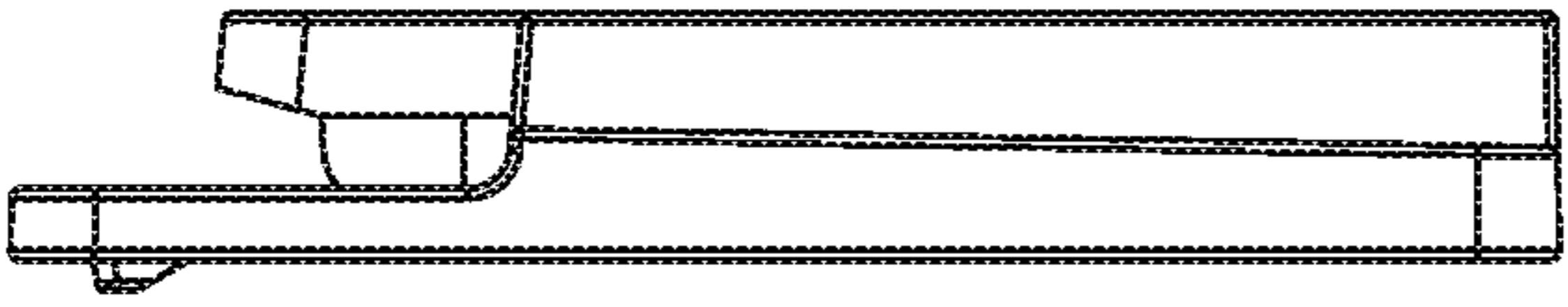


Fig. 5

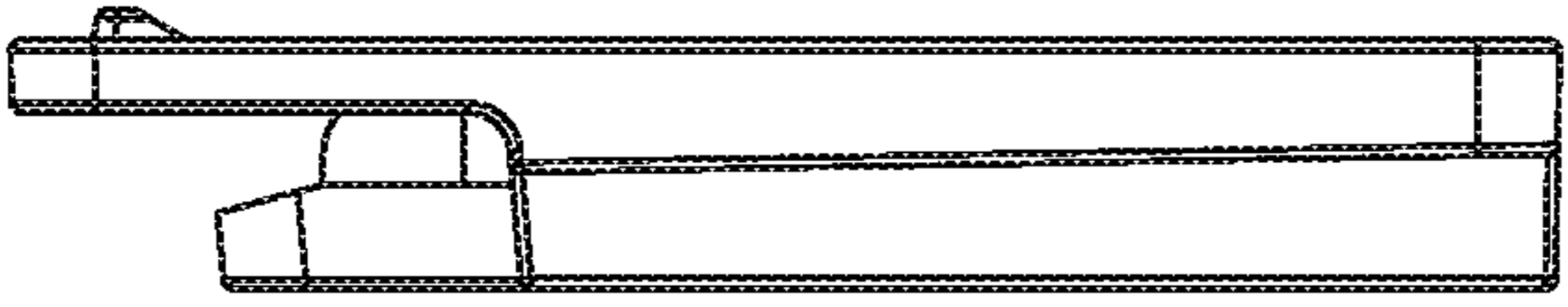


Fig. 6

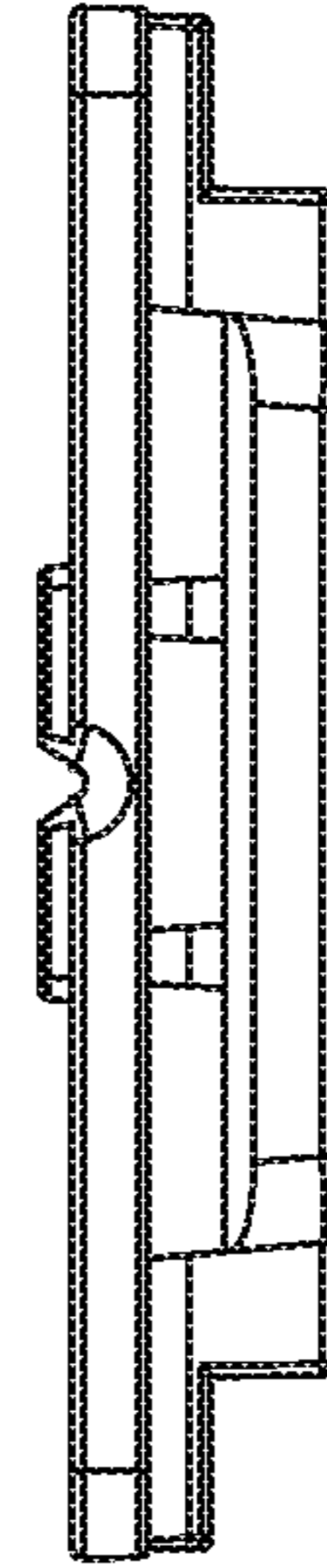


Fig. 7

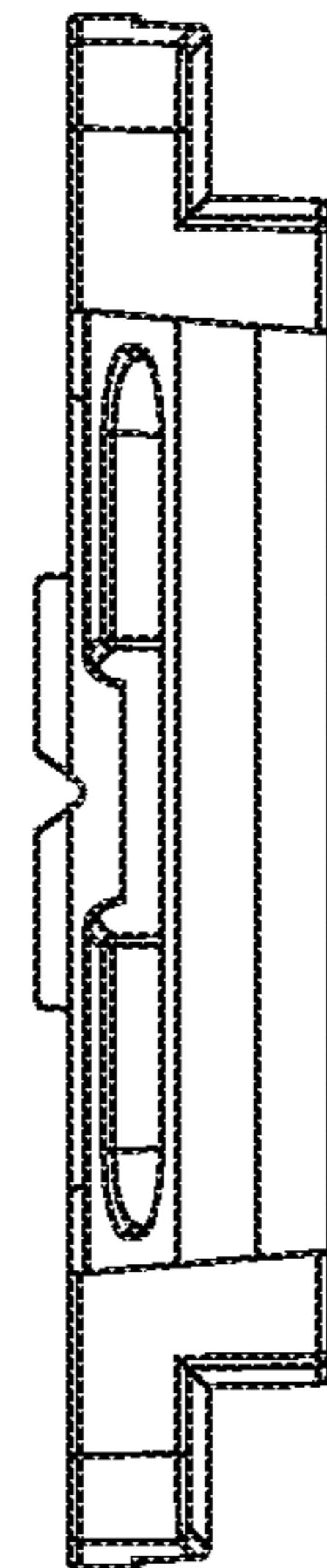


Fig. 8