

US00D867111S

(12) **United States Design Patent**
Jenkins, Jr.

(10) **Patent No.:** **US D867,111 S**

(45) **Date of Patent:** **** Nov. 19, 2019**

(54) **HOSE REEL**

(71) Applicant: **Brett Jenkins, Jr.**, Norfolk, VA (US)

(72) Inventor: **Brett Jenkins, Jr.**, Norfolk, VA (US)

(**) Term: **15 Years**

(21) Appl. No.: **29/653,594**

(22) Filed: **Jun. 15, 2018**

(51) **LOC (12) Cl.** **08-05**

(52) **U.S. Cl.**
USPC **D8/359**

(58) **Field of Classification Search**
USPC D8/358, 359, 356; D34/14, 24, 26;
D22/140; D10/72; D13/155

CPC B65H 2701/33; B65H 75/4471; Y10T
137/6954; Y10T 137/6899

See application file for complete search history.

(56) **References Cited**

U.S. PATENT DOCUMENTS

D378,562 S *	3/1997	Miller	D7/606
D419,389 S *	1/2000	Hansen	D7/606
D419,961 S *	2/2000	Weatherill	D13/154
D428,396 S *	7/2000	Smith	D14/403
D431,183 S *	9/2000	Beals	D7/901
6,279,848 B1 *	8/2001	Mead, Jr.	B65H 75/40 242/397.3
D586,187 S *	2/2009	Sax	D7/606

D594,701 S *	6/2009	Sax	D7/515
D609,709 S *	2/2010	Allo Allo	D14/440
D632,548 S *	2/2011	Tracey	B65H 75/40 D8/358
8,695,912 B2 *	4/2014	Tracey	B65H 75/403 242/390.9
8,925,851 B2 *	1/2015	Tracey	B65H 75/4471 242/130.2

* cited by examiner

Primary Examiner — Eliza Z Bennett-Hattan

(74) *Attorney, Agent, or Firm* — Quickpatents, LLC;
Kevin Prince

(57) **CLAIM**

I claim the ornamental design for a hose reel, as shown and described.

DESCRIPTION

FIG. 1 is a perspective view of a hose reel, showing my new design;

FIG. 2 is a top plan view thereof;

FIG. 3 is a bottom plan view thereof;

FIG. 4 is a front elevational view thereof;

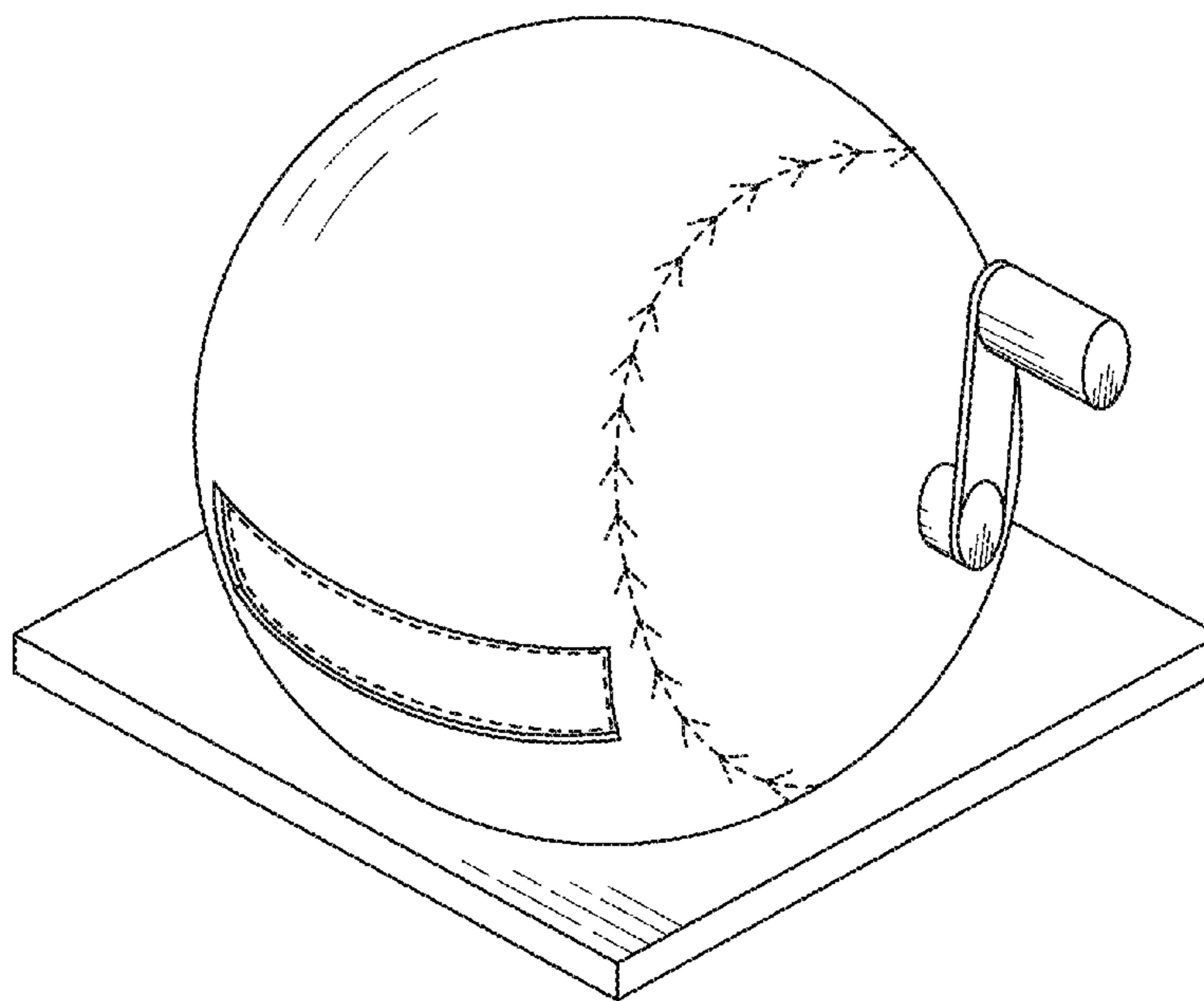
FIG. 5 is a rear elevational view thereof;

FIG. 6 is a right-side elevational view thereof; and,

FIG. 7 is a left-side elevational view thereof.

The broken lines showing a baseball thread and an internal area of the hose reel depict portions of the hose reel that form no part of the claimed design.

1 Claim, 4 Drawing Sheets



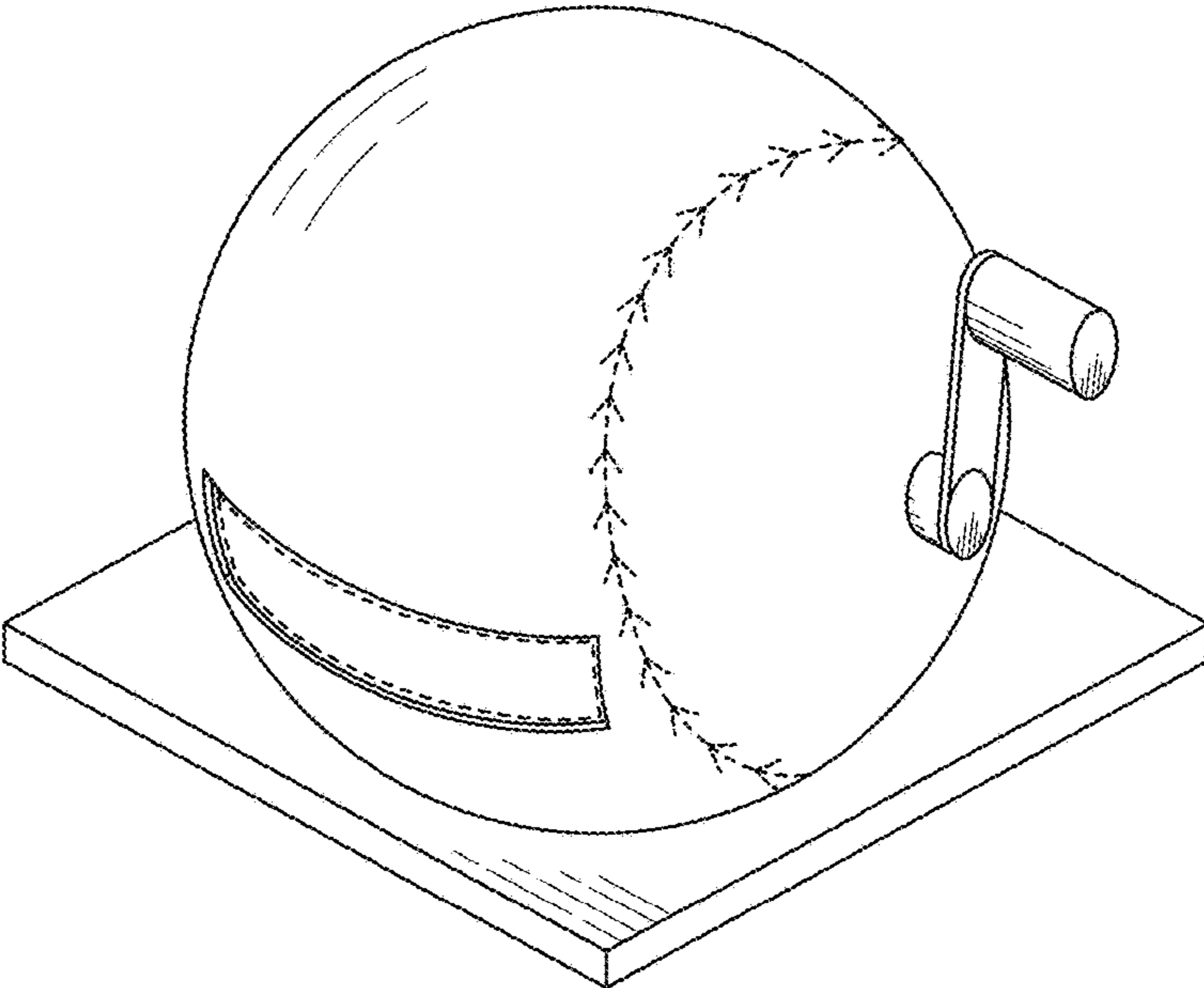


FIG. 1

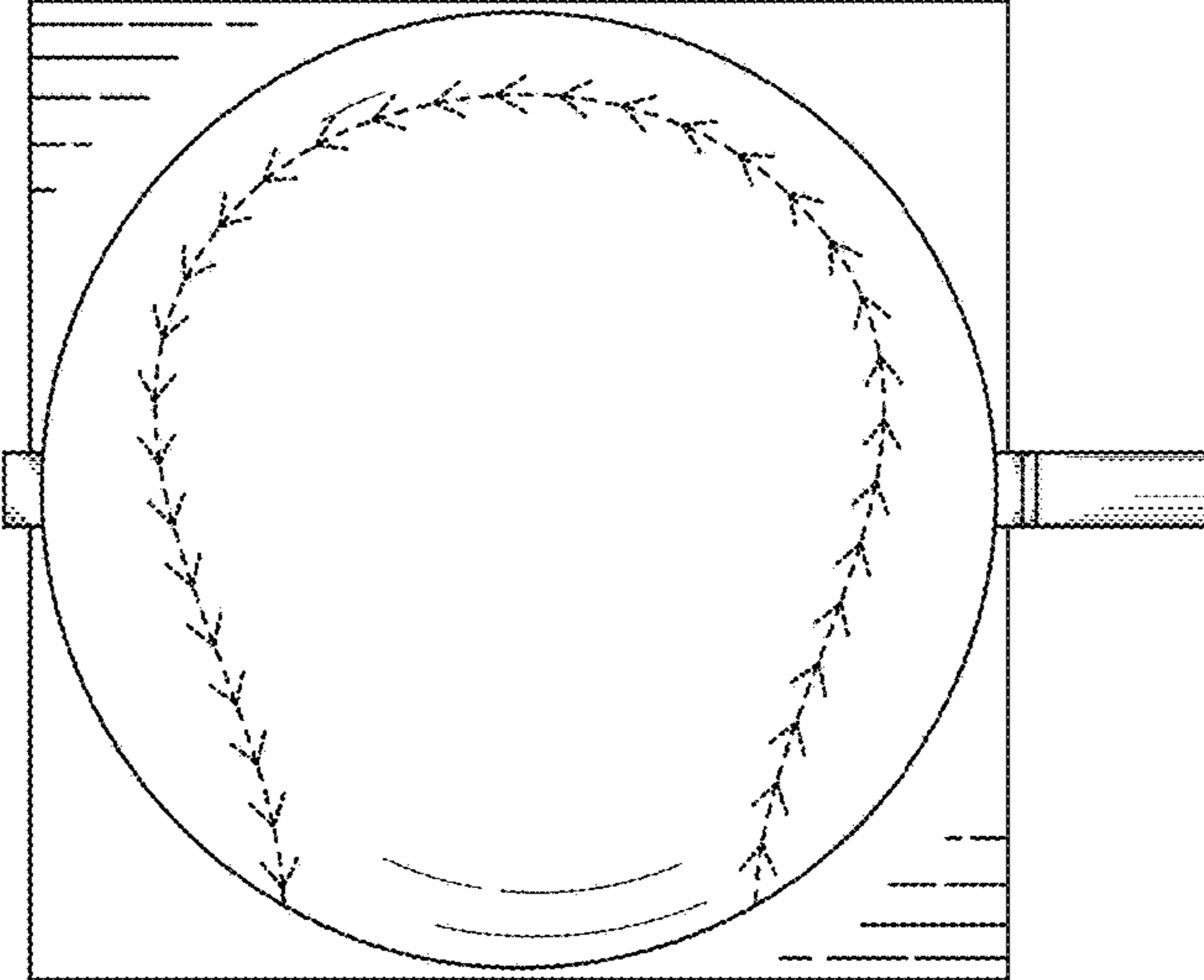


FIG. 2

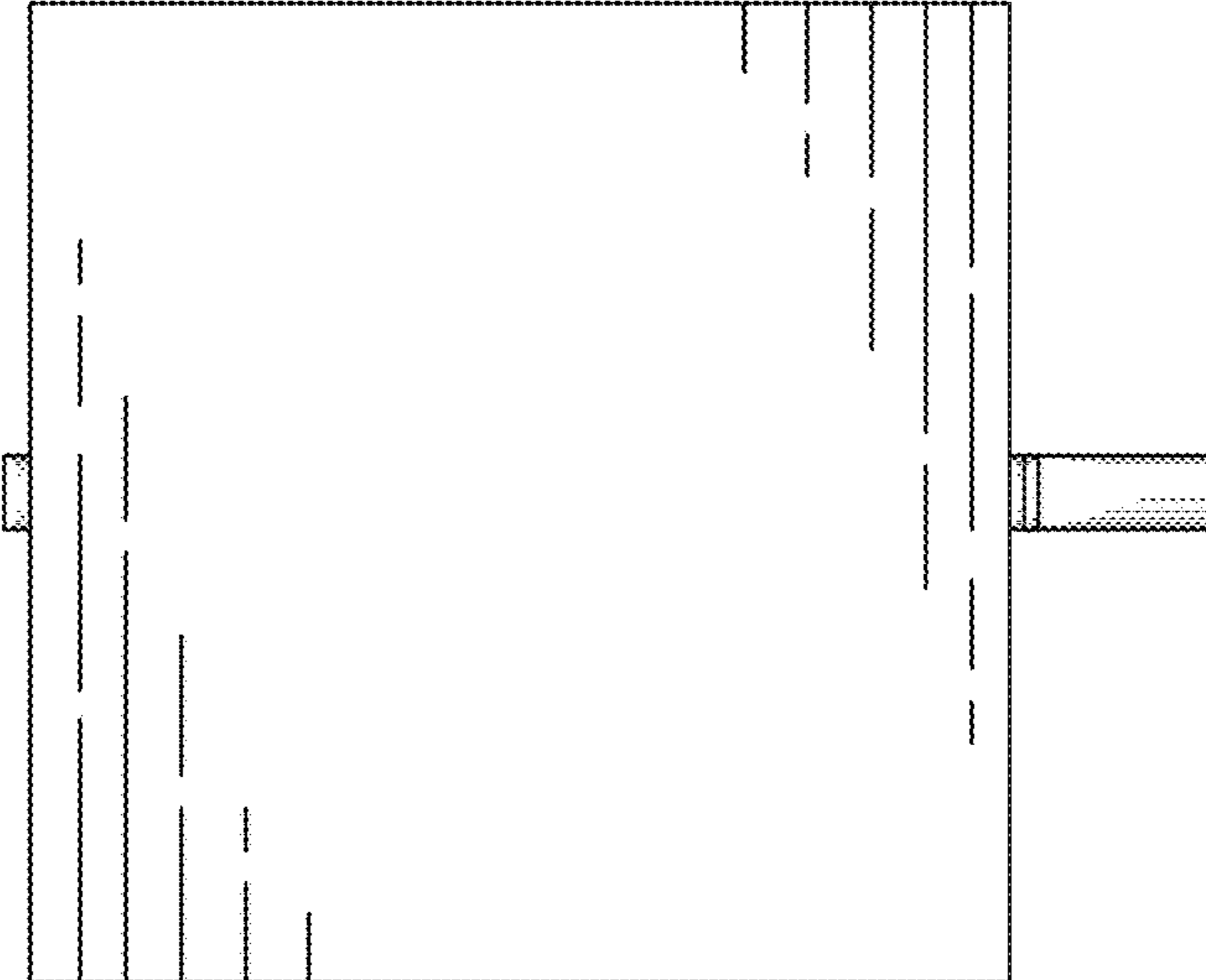


FIG. 3

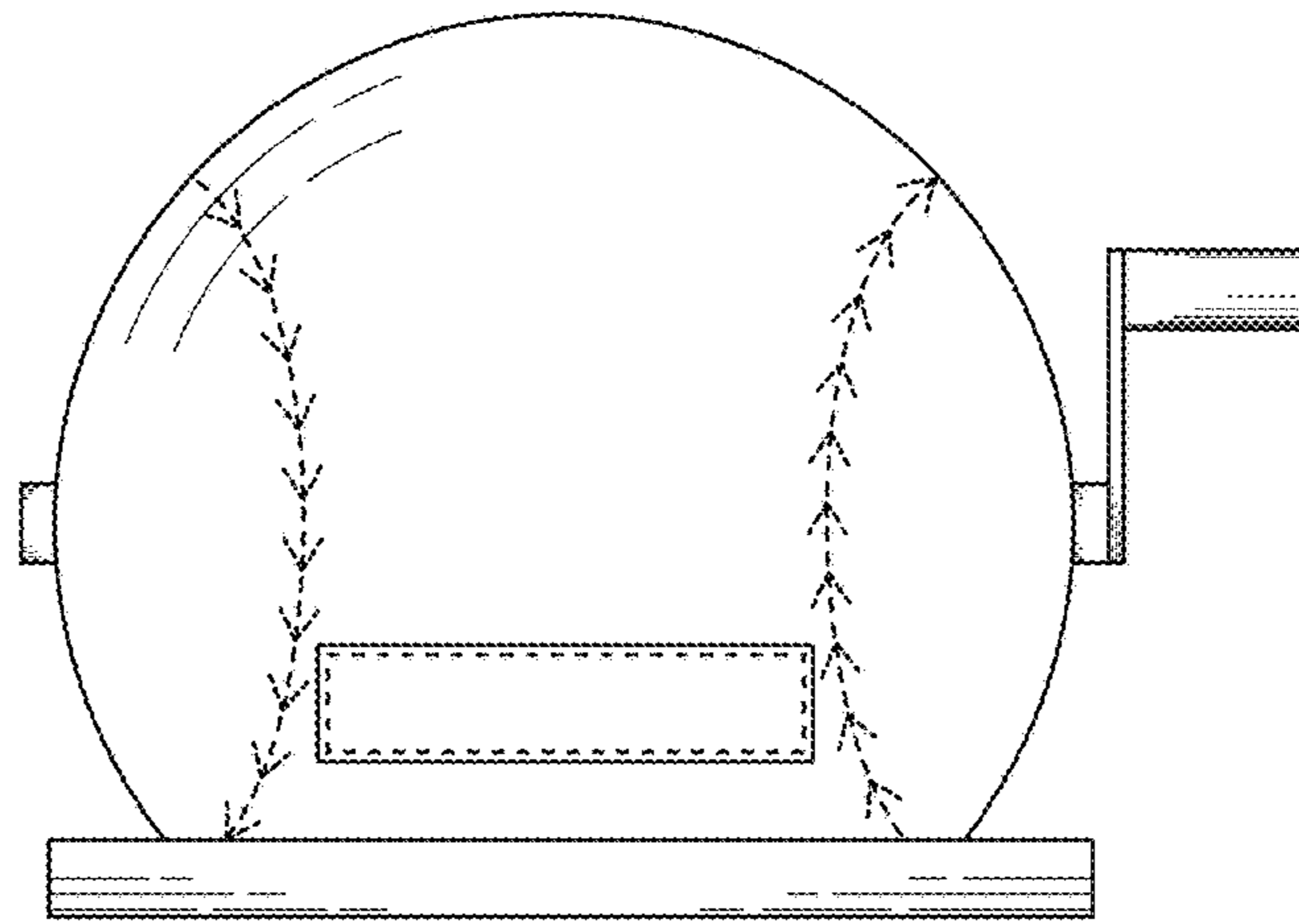


FIG. 4

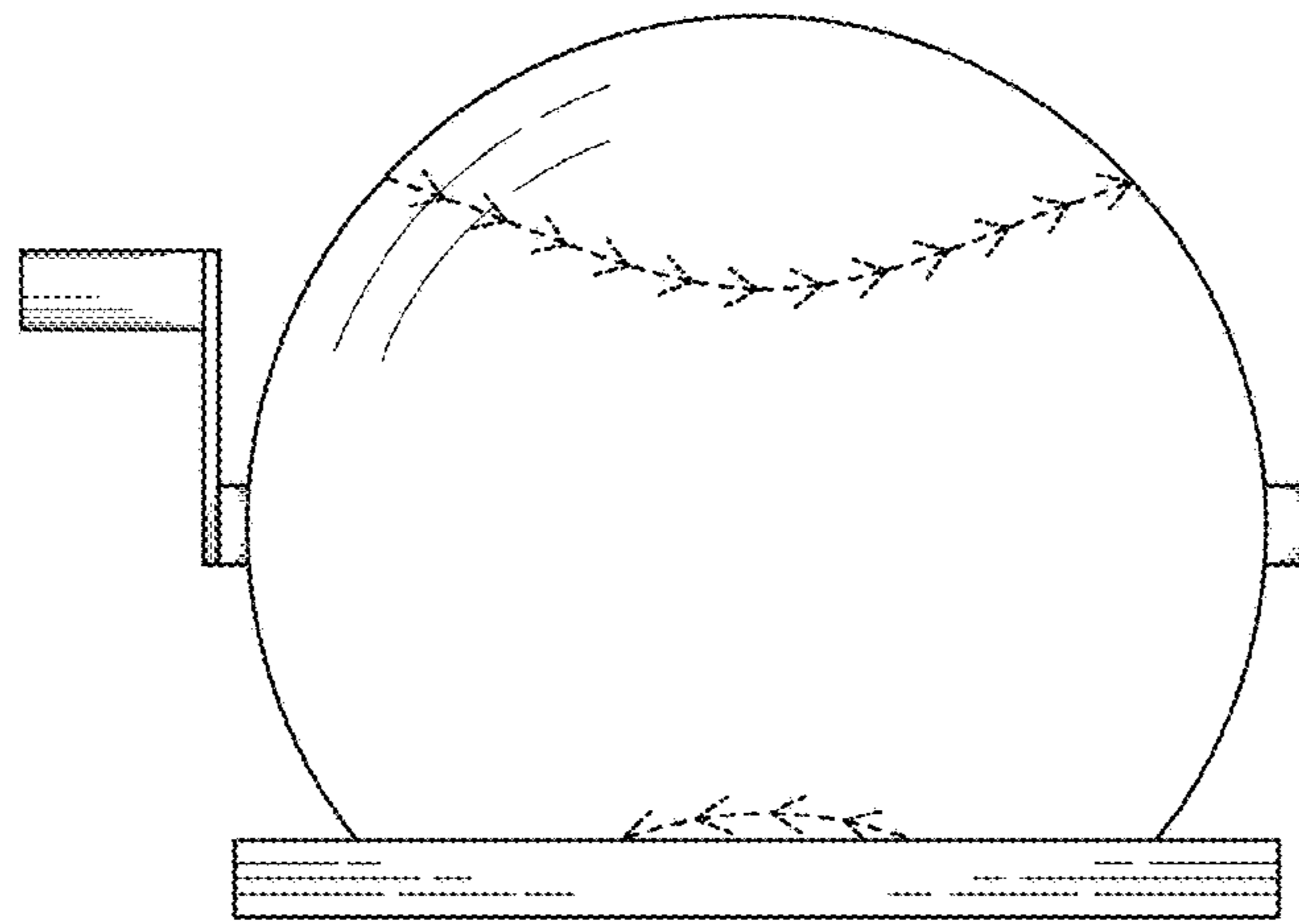


FIG. 5

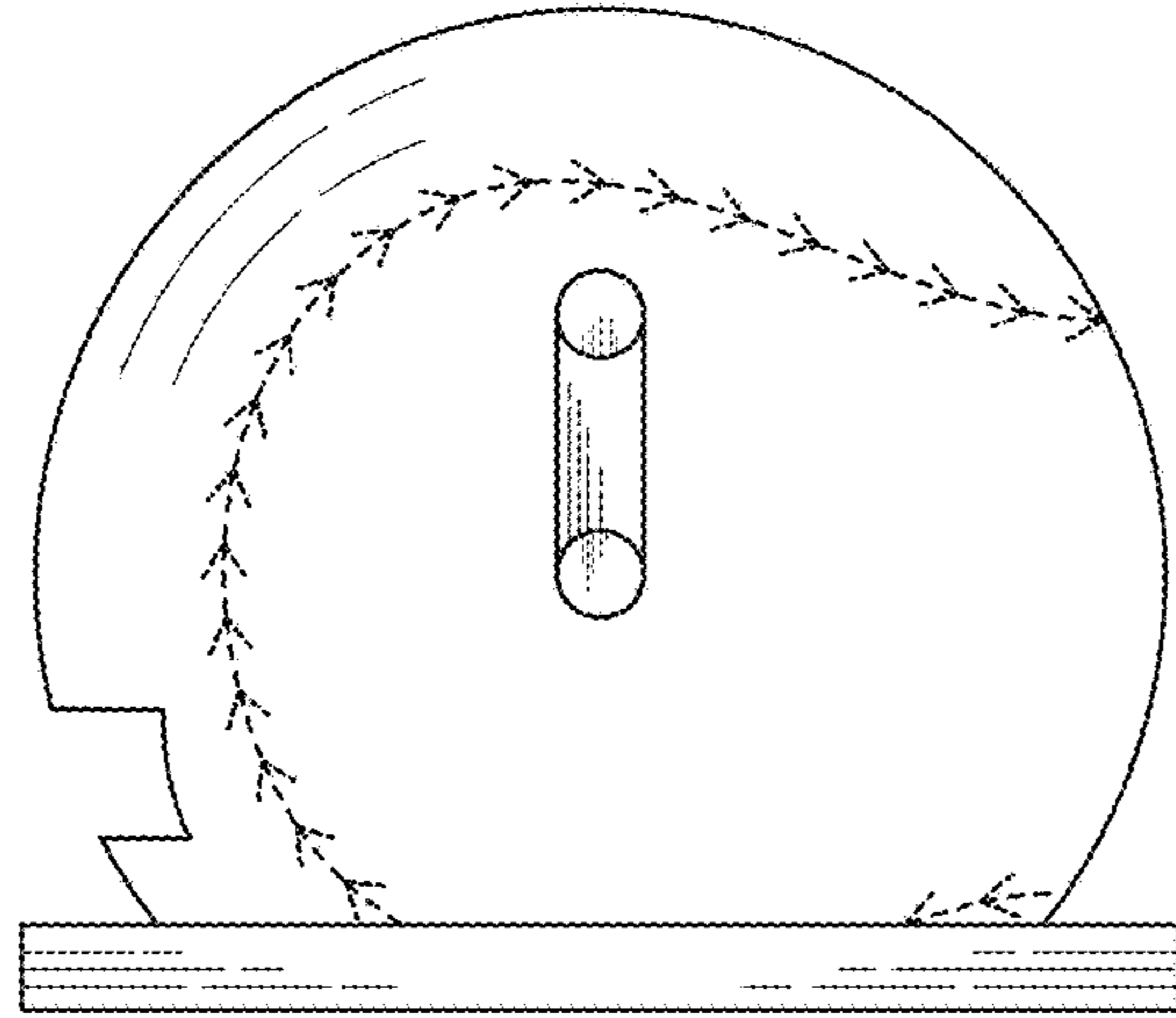


FIG. 6

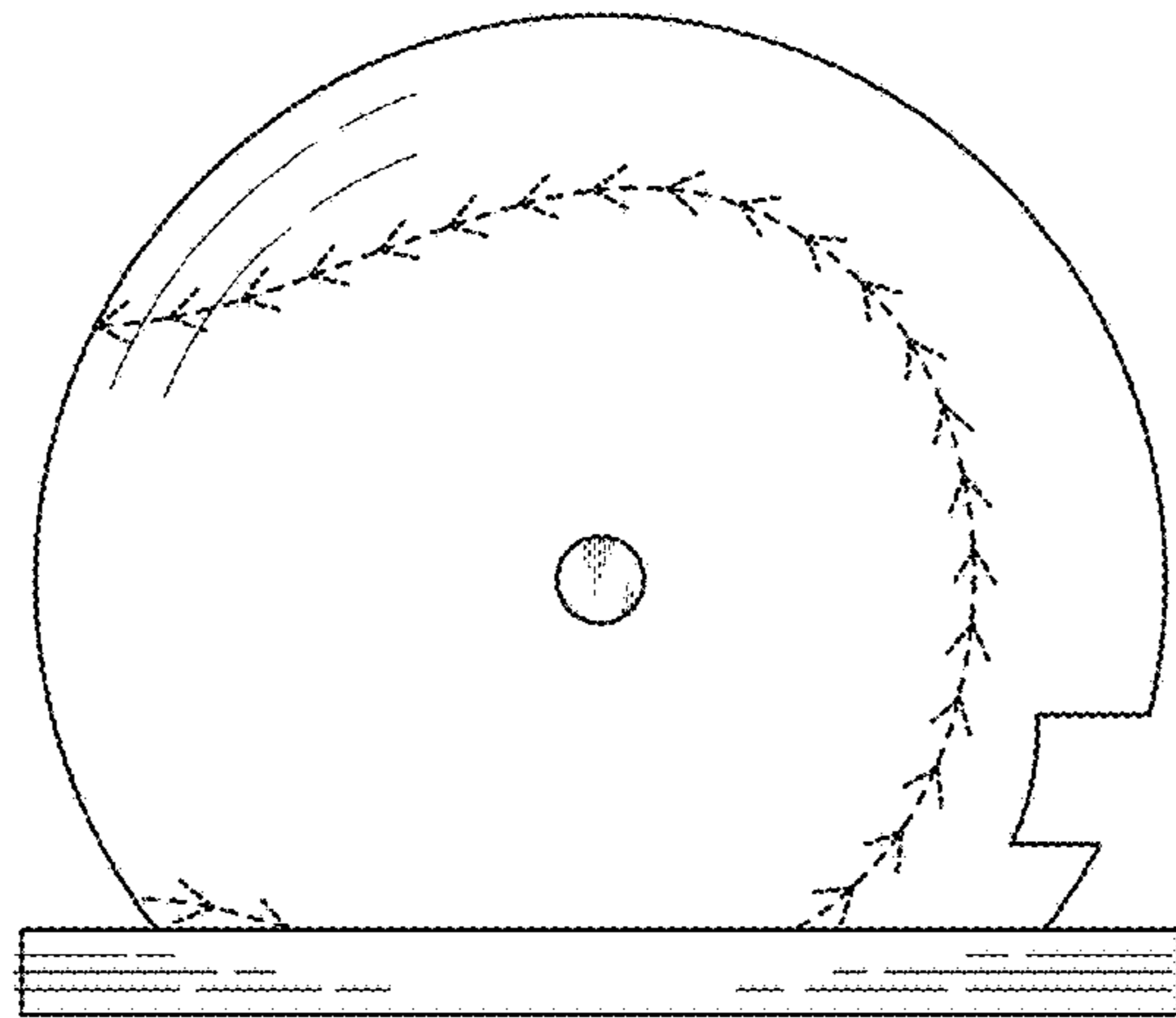


FIG. 7