



US00D867110S

(12) **United States Design Patent**
Gubbins

(10) **Patent No.:** **US D867,110 S**

(45) **Date of Patent:** **** Nov. 19, 2019**

(54) **CABLE DRUM**

(71) Applicant: **Luceco PLC**, London (GB)

(72) Inventor: **Stephen Gubbins**, Shropshire (GB)

(73) Assignee: **Luceco PLC**, London (GB)

(**) Term: **15 Years**

(21) Appl. No.: **29/614,270**

(22) Filed: **Aug. 17, 2017**

(51) **LOC (12) Cl.** **08-05**

(52) **U.S. Cl.**
USPC **D8/359**

(58) **Field of Classification Search**

USPC D08/373, 358, 359, 354, 71, 330, 336,
D08/351, 356, 360.1, 363, 364, 367, 370,
D08/372, 379, 381, 382, 395, 396;
D06/349, 352; D09/426, 502, 750;
D10/72, 73, 89; D11/79, 93; D13/103,
D13/107; D19/67; D21/673, 674, 675,
D21/839, 840; D25/19, 62, 68, 69;
D26/40, 49; D29/122, 124; D30/153,
D30/155

CPC B65H 75/40; B65H 75/4407; B65H
75/4471; B65H 2701/34; B65H 2701/32;
B65H 2511/142; B65H 29/008; B65H
2701/33; B65H 54/585; B65H 51/22;
B65H 75/08; B65H 75/02; B65H
2301/41485; B65H 75/4468; B65H
2301/414323; B65H 2301/414325; B65H
16/02; B65H 2301/4131; B65H 75/403;
B65H 75/441; B65D 85/66; B65D 85/67;
B66D 3/006; B66D 3/18; B66D 3/26;
B66D 3/02; B66D 3/14; B63B 21/18;
B63B 21/26; B65B 57/005; A61G
7/1051; A61G 7/1061; B66B 11/08;
A62C 33/04; B08B 2203/0276;

(Continued)

(56) **References Cited**

U.S. PATENT DOCUMENTS

3,908,277 A * 9/1975 Ritty G01B 3/1041
33/769

D409,476 S * 5/1999 Kusakari D8/358
(Continued)

OTHER PUBLICATIONS

High Lift Garage Door Cable Drums 120" 5750-120, posted unknown,
[retrieved Aug. 17, 2019]. Retrieved from Internet, <URL: <https://www.northshorecommercialdoor.com/hiligadocadr2.html#tabs-3>>.*

(Continued)

Primary Examiner — Barbara Fox

Assistant Examiner — Kristin E Reed

(74) *Attorney, Agent, or Firm* — Levenfeld Pearlstein
LLC

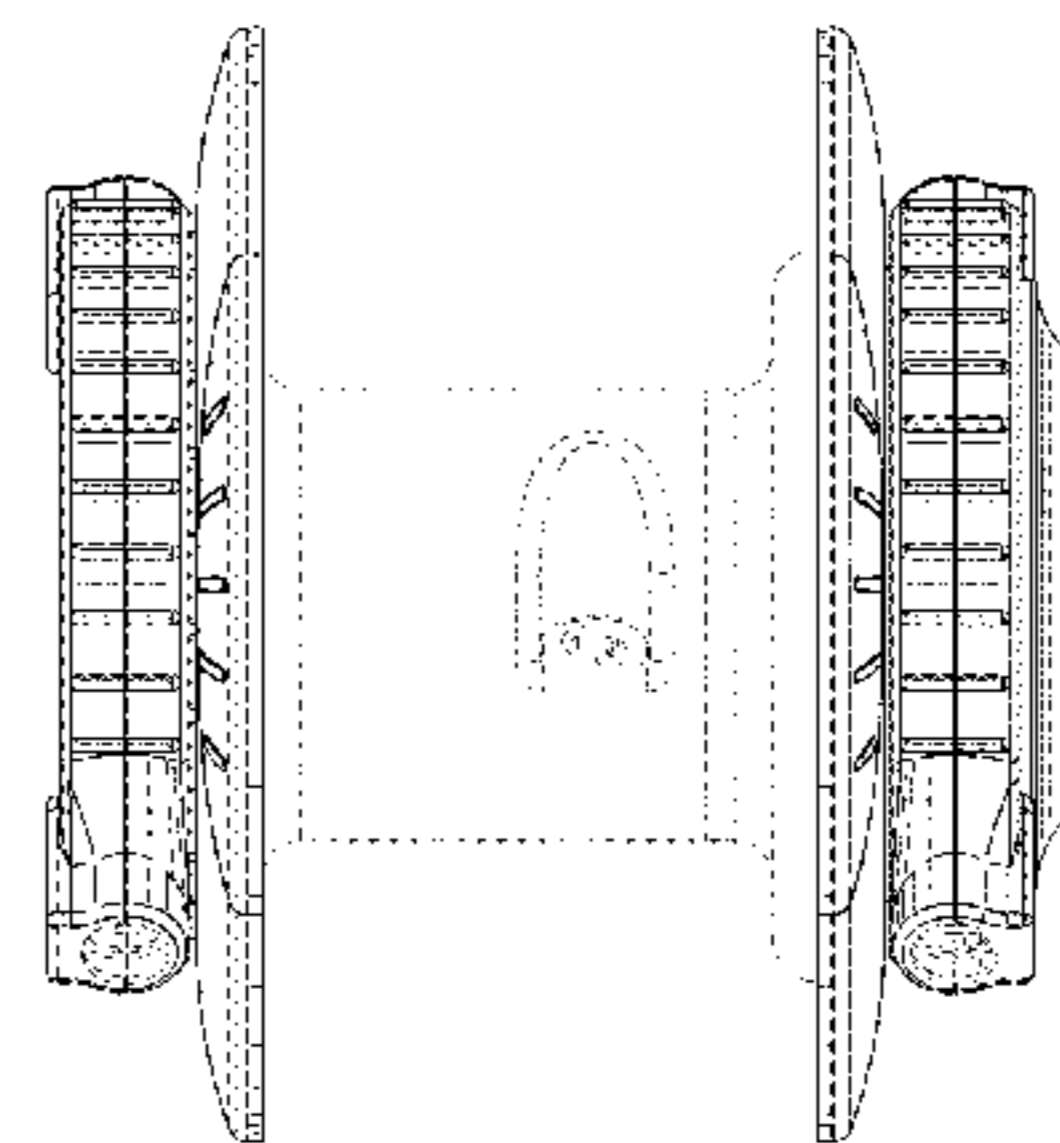
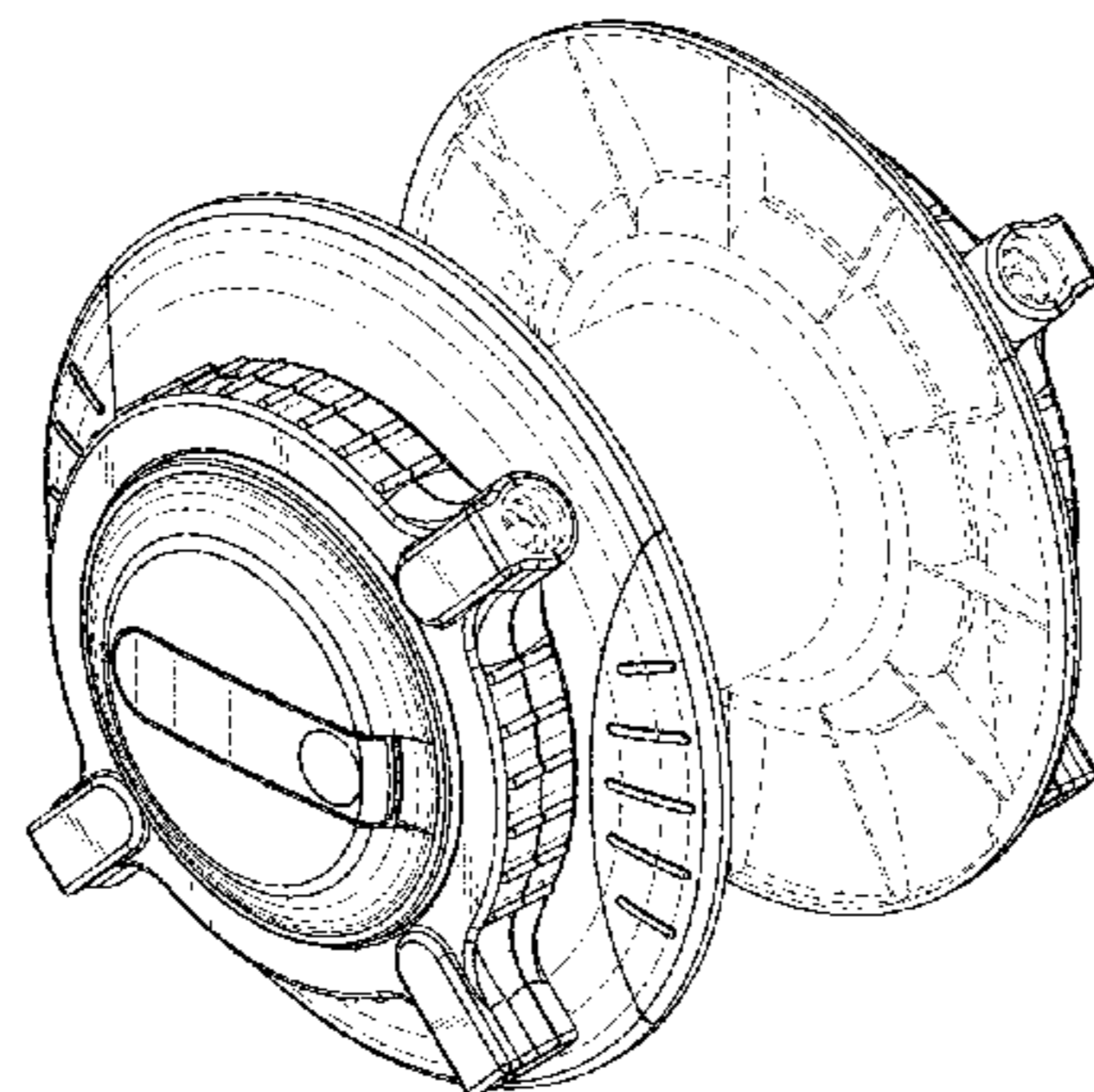
(57) **CLAIM**

The ornamental design for a cable drum, as shown and
described.

DESCRIPTION

FIG. 1 is a front, right-hand side perspective view of a cable
drum embodying my new design;
FIG. 2 is a rear, left-hand side perspective view thereof;
FIG. 3 is a front view thereof;
FIG. 4 is a rear view thereof;
FIG. 5 is a top view thereof;
FIG. 6 is a bottom thereof;
FIG. 7 is a side view thereof as seen from the right-hand side
of FIG. 3;
FIG. 8 is a side view thereof as seen from the left-hand side
of FIG. 3;
FIG. 9 is a front, right-hand side perspective view similar to
FIG. 1, shown with the handle in an open position; and,
FIG. 10 is a front view thereof shown with the handle in an
open position.

(Continued)



The broken lines shown in the figures depict portions of the cable drum that form no part of the claimed design.

1 Claim, 10 Drawing Sheets

(58) **Field of Classification Search**

CPC B21C 47/28; H02G 11/02; A01K 89/003;
H04M 1/15; A01D 34/822; A47L 9/26;
H04R 1/1033; Y10S 24/909; E05C 19/10;
E05C 17/50; E05C 3/045; E05C 3/30;
E05C 19/02; E05C 19/026; A47G
25/0614; A47G 25/18; A47G 25/32;
A47G 7/047; A47G 7/045; A47G 7/042;
A47G 7/044; F16B 12/44; F16B 12/46;
F16B 5/0614; F16B 12/02; E04B 1/2612;
E04B 2001/2415; E04B 1/5818; E04B
1/5831; A47B 88/0055; E04F 11/1812;
F16L 1/0246; A01G 9/024; A01G 25/14;
A01G 27/001; A01G 9/042; A01G
27/005; A01G 31/001; A01G 9/02; A01G
9/083; A01G 9/12

See application file for complete search history.

(56)

References Cited

U.S. PATENT DOCUMENTS

D639,190 S * 6/2011 Cook D10/72
D828,672 S * 9/2018 Lyytikainen D34/24
2008/0271424 A1* 11/2008 Alliss A01D 34/4166
56/12.7
2009/0249636 A1* 10/2009 Reda B26B 29/06
33/760
2011/0030812 A1* 2/2011 McKimmy B65H 75/40
137/355.26
2015/0352997 A1* 12/2015 Huang B60D 1/185
242/407
2017/0210590 A1* 7/2017 Kopp B65H 75/4465
2017/0347523 A1* 12/2017 Alliss A01D 34/4161

OTHER PUBLICATIONS

Pro CAT5e Cable Drum 50m Screened Neutrik Chassis, posted unknown, [retrieved Aug. 17, 2019]. Retrieved from Internet, <URL: https://www.studiospares.com/Cables-Leads/Cable-Drums/Pro-CAT5e-Cable-Drum-50m-Screened-Neutrik-Chassis_598070.htm>.*

* cited by examiner

Fig. 1

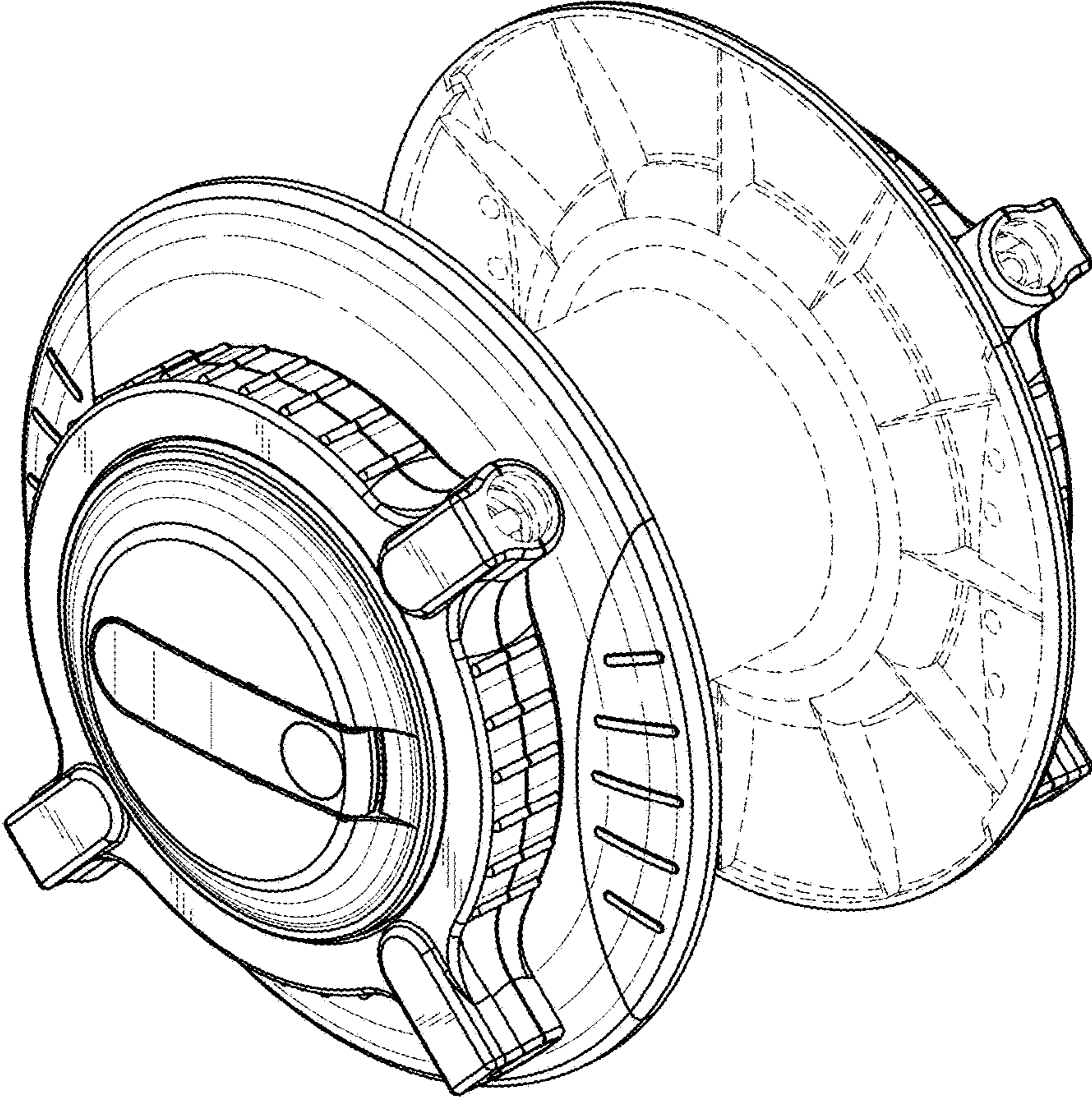


Fig. 2

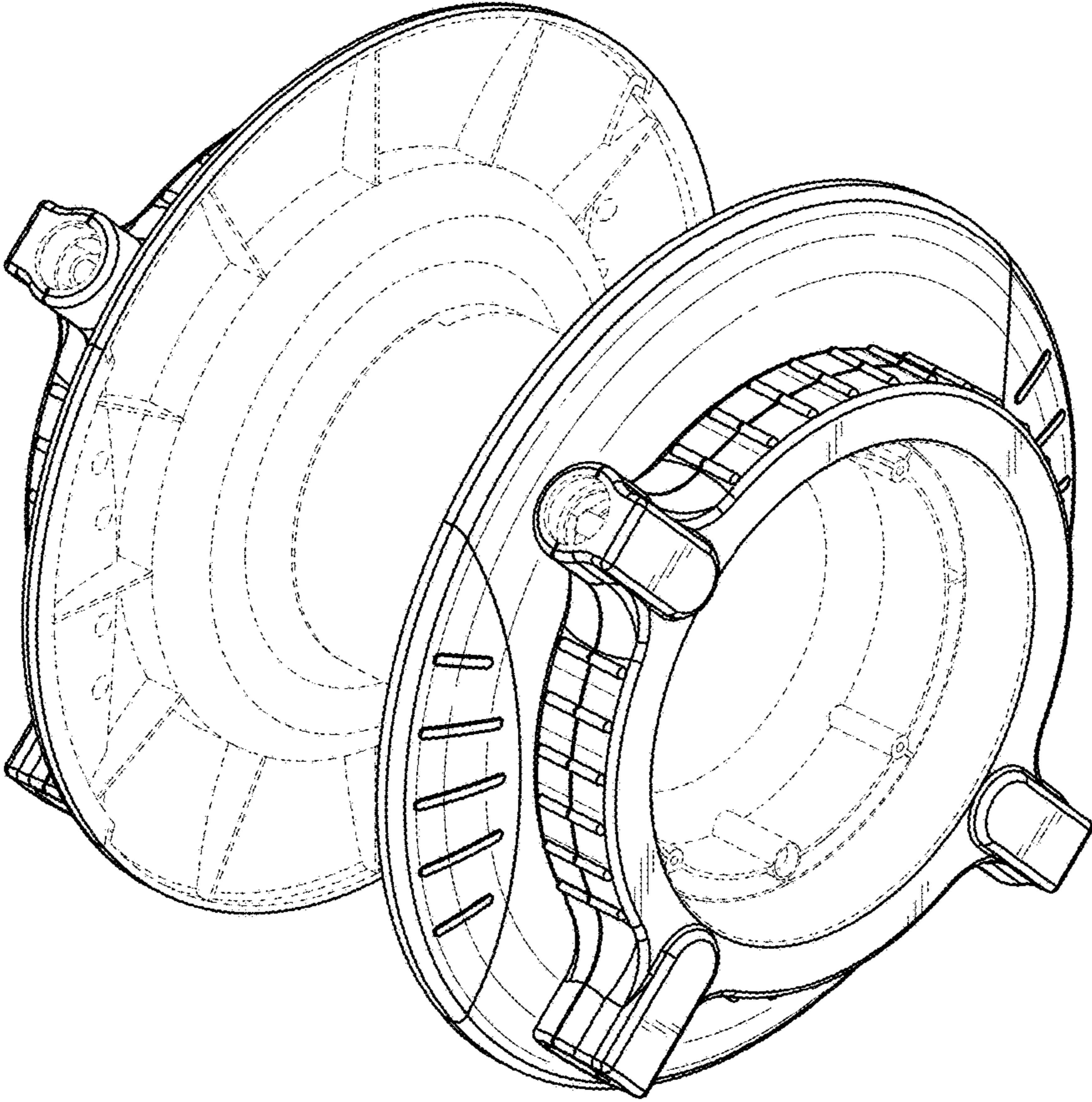


Fig. 3

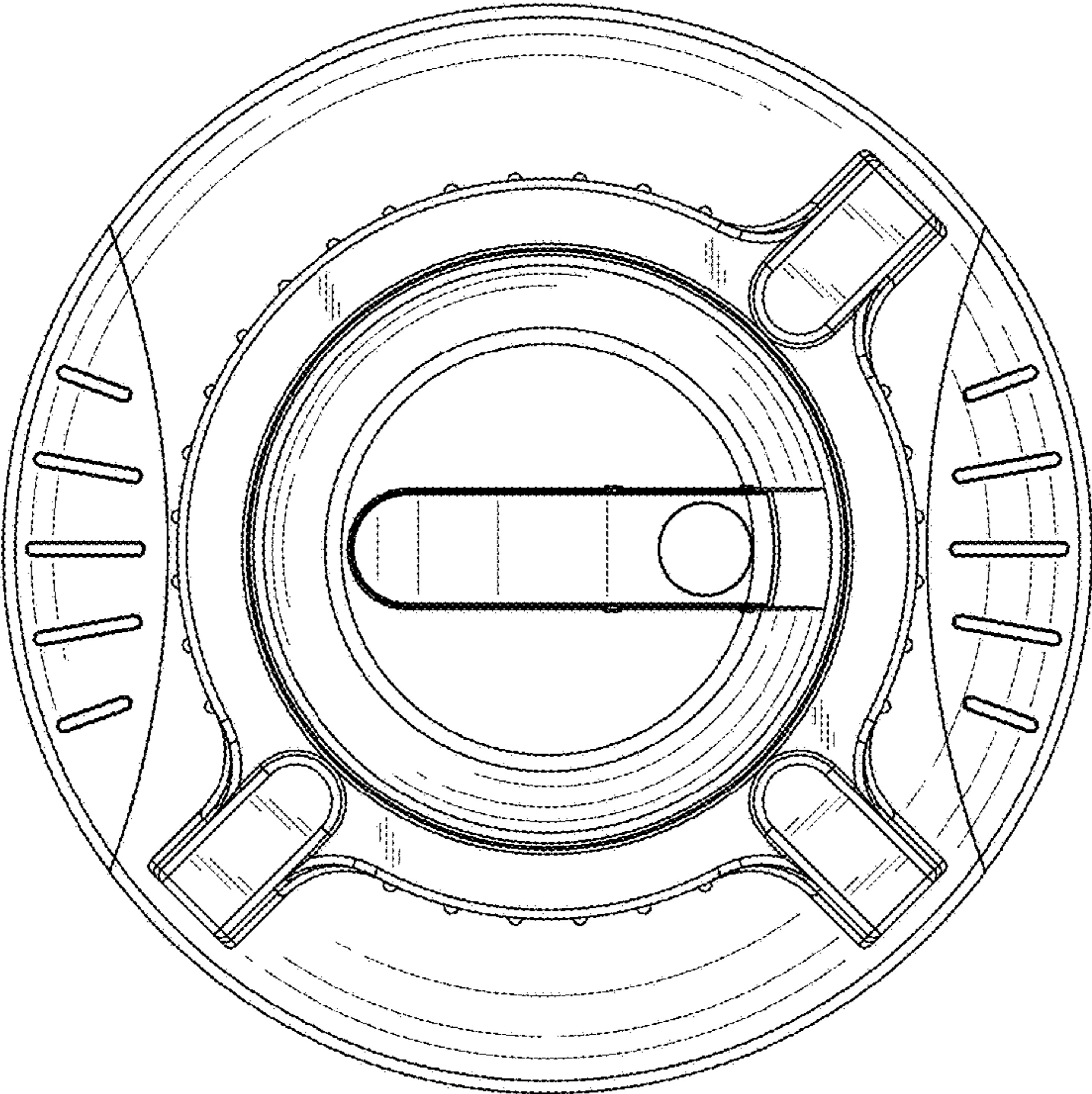


Fig. 4

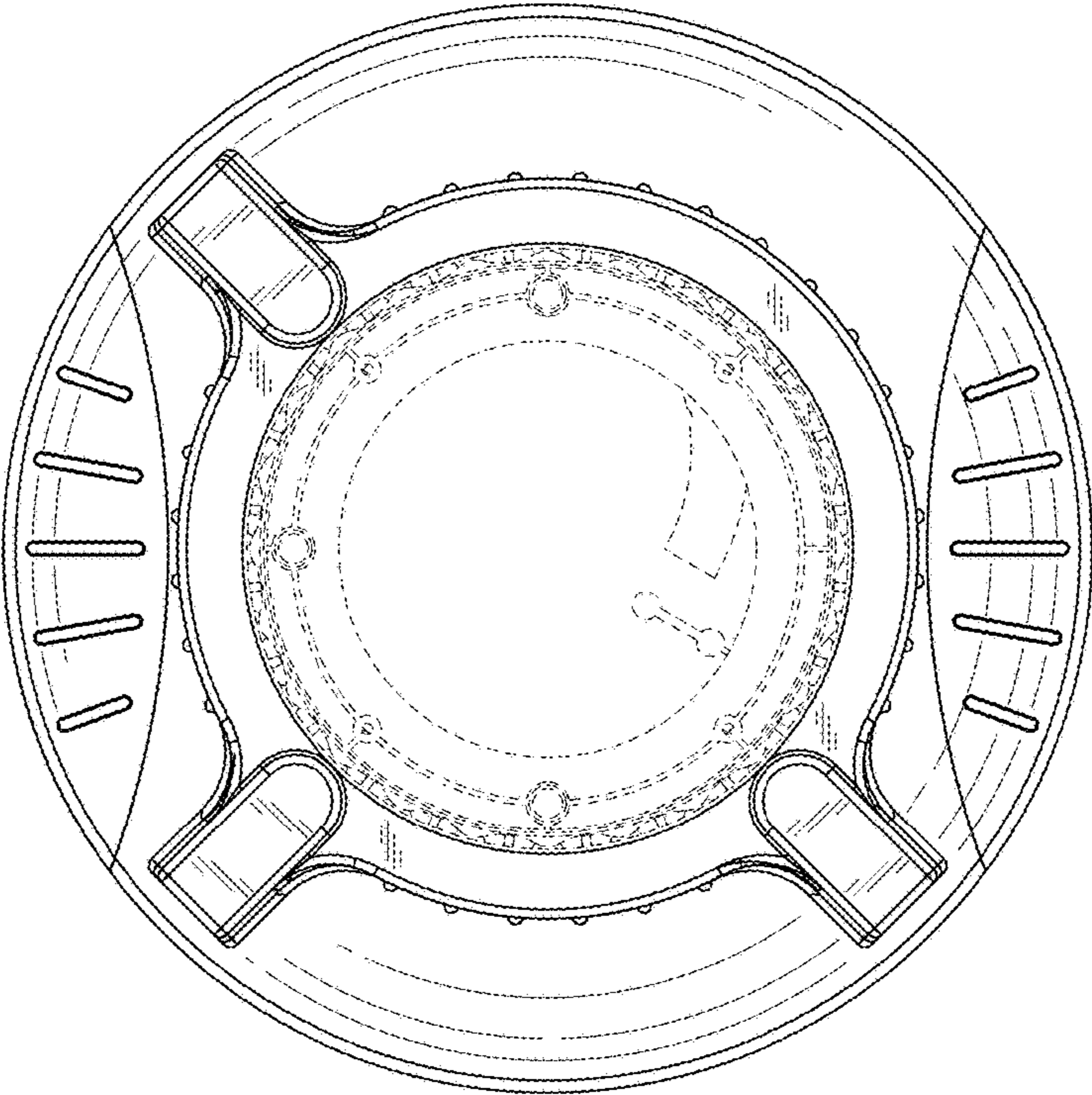


Fig. 5

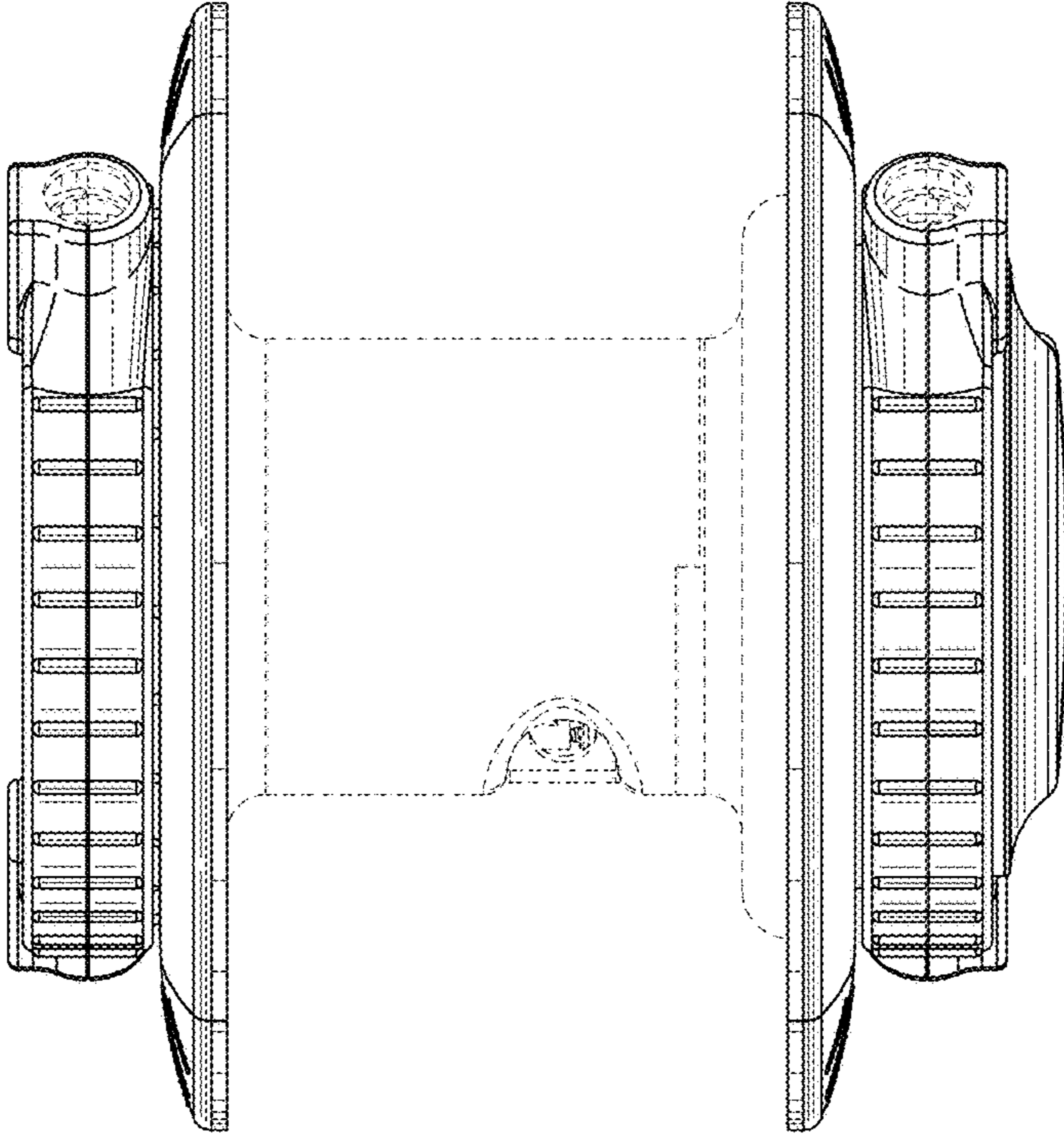


Fig. 6

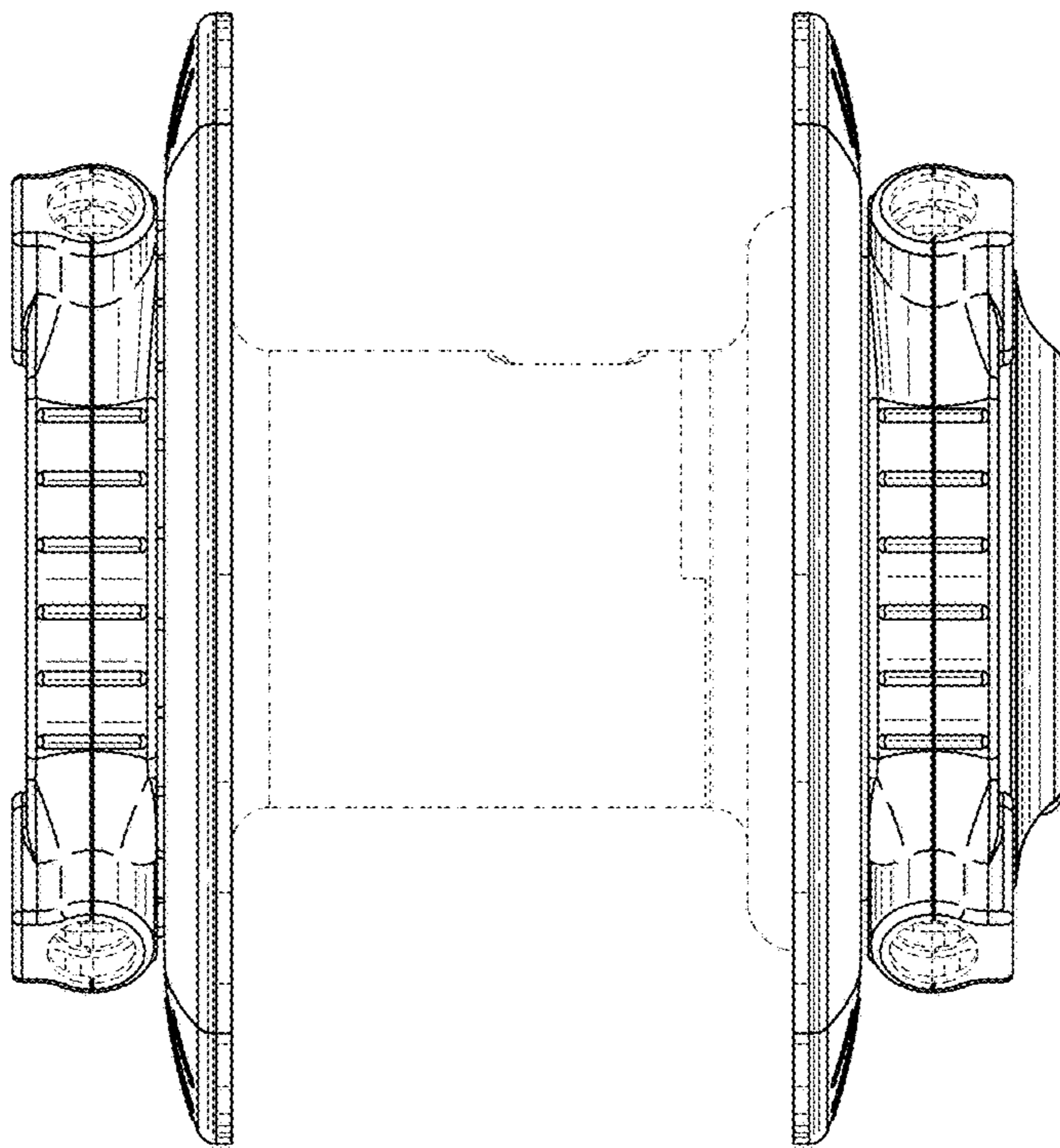


Fig. 7

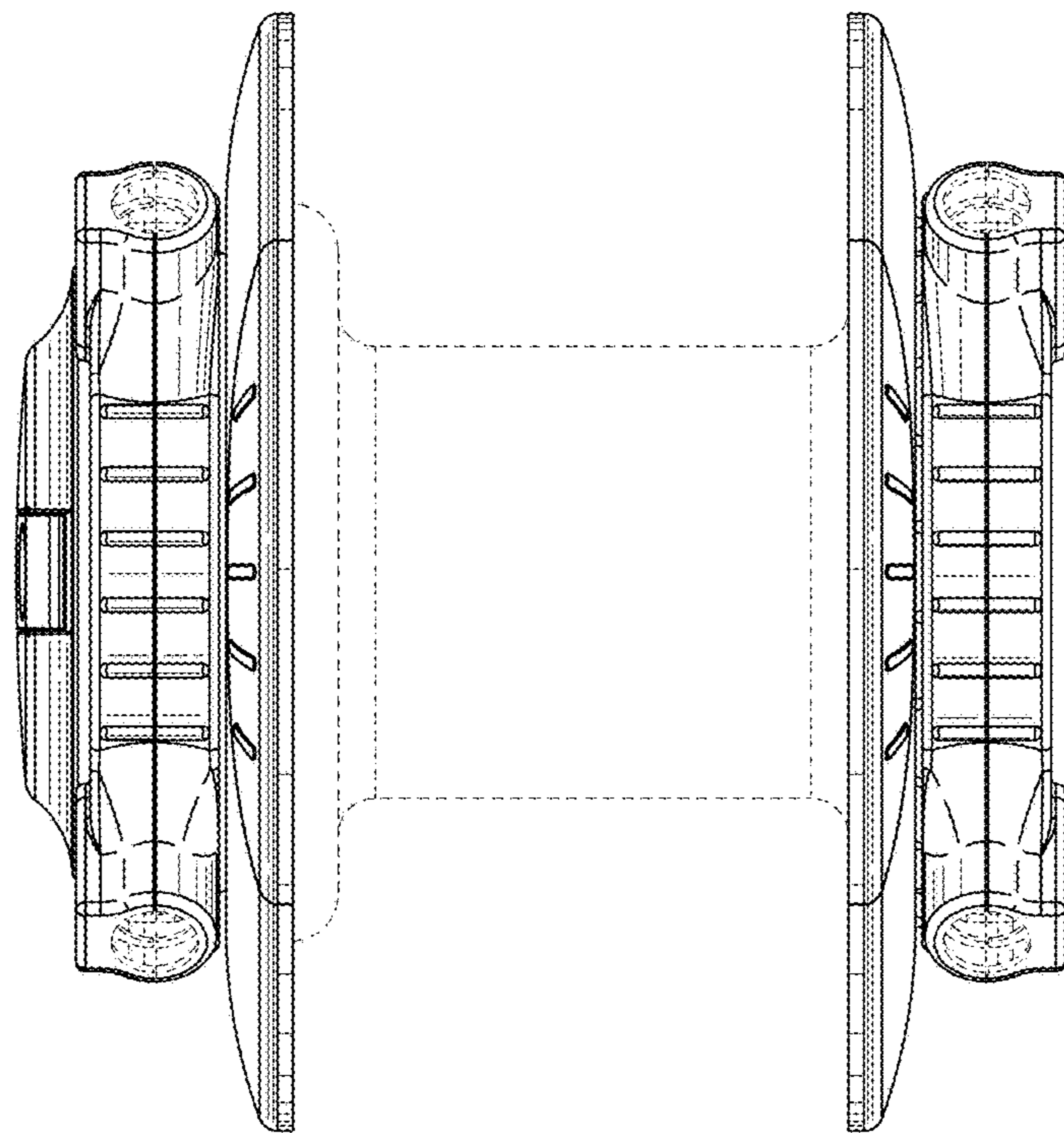


Fig. 8

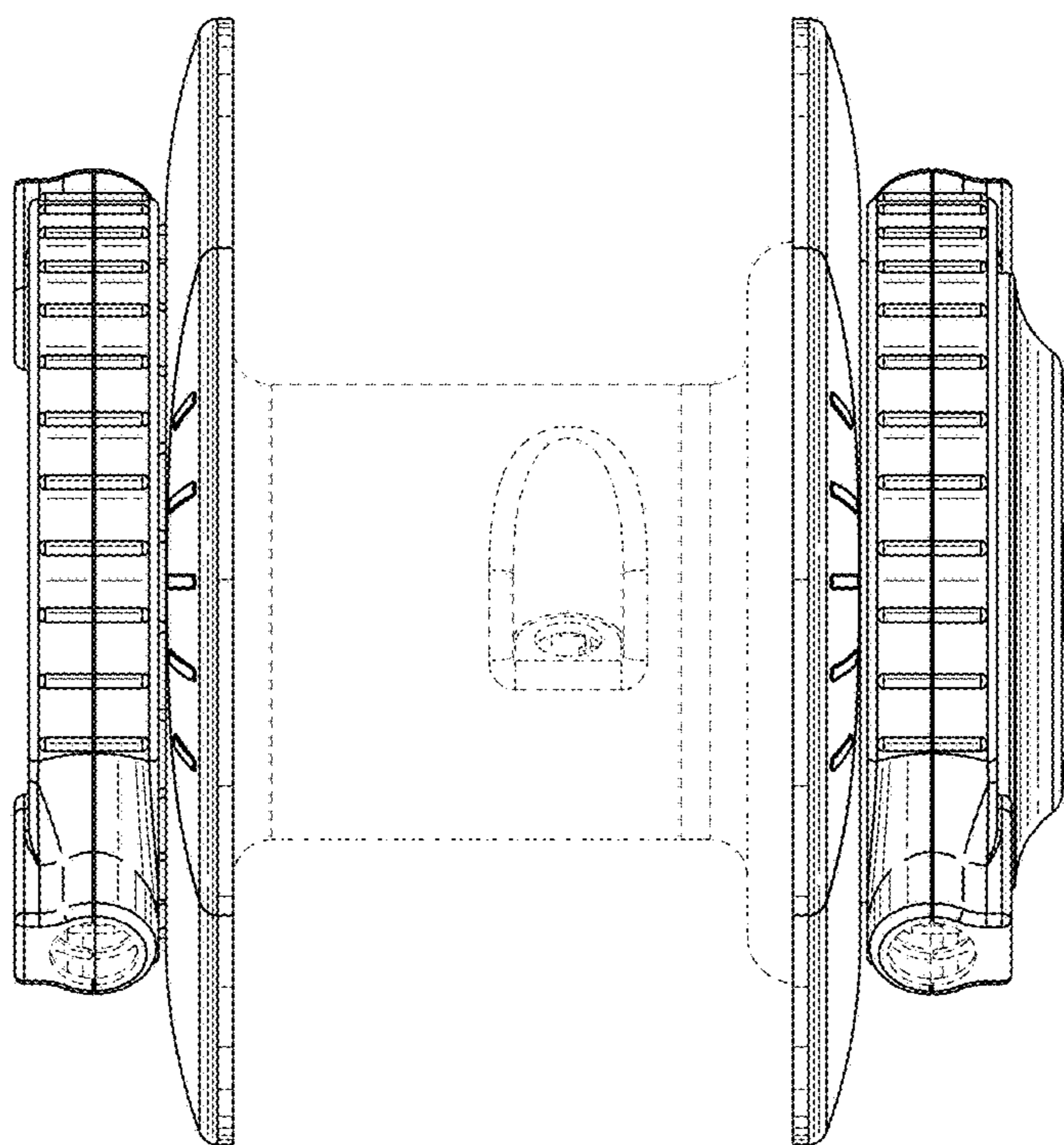


Fig. 9

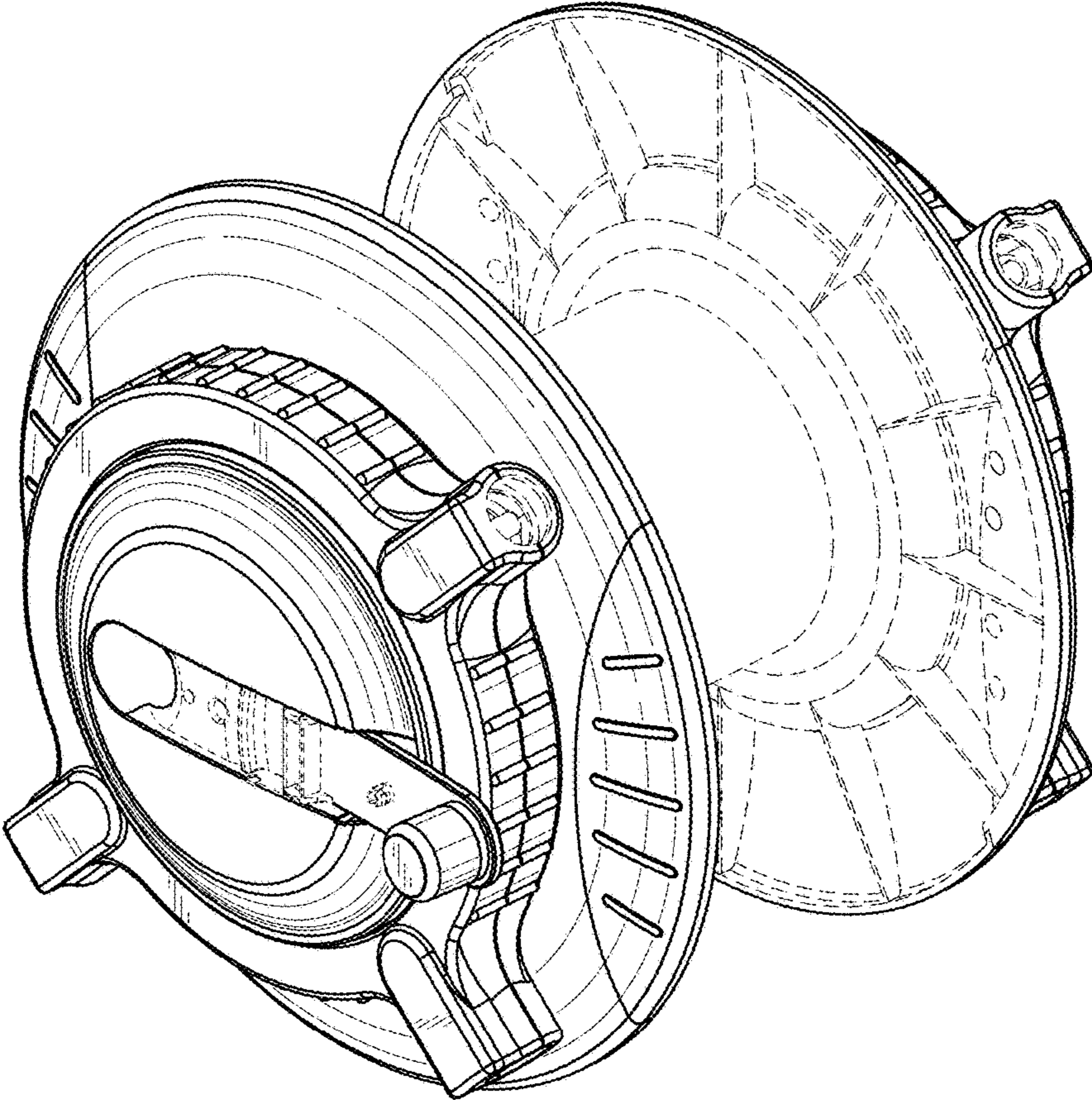


Fig. 10

