



US00D867109S

(12) **United States Design Patent**
Piskur et al.

(10) **Patent No.:** **US D867,109 S**

(45) **Date of Patent:** **** Nov. 19, 2019**

(54) **TOW STRAP HOUSING**

(71) Applicant: **HORIZON GLOBAL AMERICAS INC.**, Plymouth, MI (US)

(72) Inventors: **Theodore Piskur**, Plymouth, MI (US); **Dhananjay Deshpande**, Twinsburg, OH (US); **Cynthia Eubank**, New Franklin, OH (US); **Shrikant Pomendkar**, Maharashtra (IN)

(73) Assignee: **HORIZON GLOBAL AMERICAS INC.**, Plymouth, MI (US)

(**) Term: **15 Years**

(21) Appl. No.: **29/608,637**

(22) Filed: **Jun. 23, 2017**

(51) **LOC (12) Cl.** **08-05**

(52) **U.S. Cl.**
USPC **D8/358**

(58) **Field of Classification Search**
USPC D8/373, 358, 359, 354, 71, 330, 336, D8/351, 356, 360.1, 363, 364, 367, 370, D8/372, 379, 381, 382, 395, 396; D6/349, 352; D9/426, 502, 750; D10/72, 73, 89; D11/79, 93; D13/103, D13/107; D19/67; D21/673, 674, 675, D21/839, 840; D25/19, 62, 68, 69; D26/40, 49; D29/122, 124; D30/153, D30/155; D12/162
CPC B65H 75/40; B65H 75/4407; B65H 75/4471; B65H 2701/34; B65H 2701/32; B65H 2511/142; B65H 29/008; B65H 2701/33; B65H 54/585; B65H 51/22; B65H 75/08; B65H 75/02; B65H 2301/41485; B65H 75/4468; B65H 2301/414323; B65H 2301/414325; B65H 16/02; B65H 2301/4131; B65H 75/403; B65H 75/441; B65D 85/66; B65D 85/67; B66D 3/006; B66D 3/18; B66D 3/26; B66D 3/02; B66D 3/14; B63B 21/18; B63B 21/26; B65B 57/005; A61G

7/1051; A61G 7/1061; B66B 11/08; A62C 33/04; B08B 2203/0276; B21C 47/28; H02G 11/02; A01K 89/003; H04M 1/15; A01D 34/822; A47L 9/26;
(Continued)

(56) **References Cited**

U.S. PATENT DOCUMENTS

D330,566 S * 10/1992 Czech D19/67
D360,822 S * 8/1995 Anderson D8/358
(Continued)

OTHER PUBLICATIONS

KwikSafety Retracting Lifeline, posted unknown, [retrieved Jan. 16, 2019]. Internet, <URL: <https://binge.com.kw/product/O07UM6LW8C/kwiksafety-charlotte-nc-6-cobra-self-retracting-lifeline-poly-web-ansi-class-a-srl-w-steel-carabiner-locking-clip-snap-hook-roofing-construction-personal-fall-arrest-protection-safety-yoyo>>.*

(Continued)

Primary Examiner — Barbara Fox
Assistant Examiner — Kristin E Reed
(74) *Attorney, Agent, or Firm* — McDonald Hopkins LLC

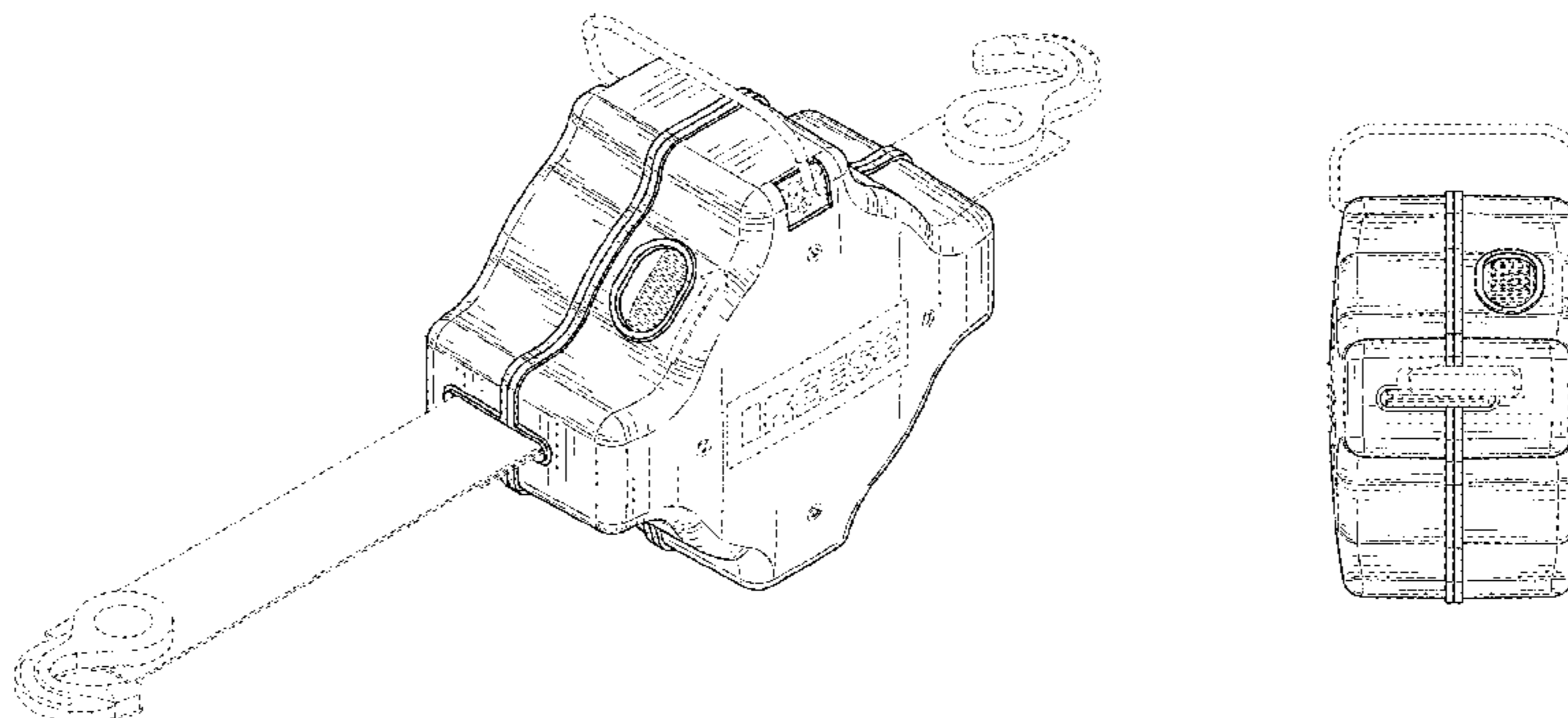
(57) **CLAIM**

The ornamental design for a tow strap housing, as shown and described.

DESCRIPTION

FIG. 1 is a perspective view of a tow strap housing showing our new design;
FIG. 2 is a first side view thereof;
FIG. 3 is a second side view thereof;
FIG. 4 is a back view thereof;
FIG. 5 is a front side view thereof;
FIG. 6 is a top view thereof; and,
FIG. 7 is a bottom view thereof.

(Continued)



The features shown in broken lines in the drawing figures depict portions of tow strap housing and environment that form no part of the claimed design.

1 Claim, 4 Drawing Sheets

(58) Field of Classification Search

CPC H04R 1/1033; Y10S 24/909; E05C 19/10;
 E05C 17/50; E05C 3/045; E05C 3/30;
 E05C 19/02; E05C 19/026; A47G
 25/0614; A47G 25/18; A47G 25/32;
 A47G 7/047; A47G 7/045; A47G 7/042;
 A47G 7/044; F16B 12/44; F16B 12/46;
 F16B 5/0614; F16B 12/02; A47B
 88/0055; E04F 11/1812; F16L 1/0246;
 A01G 9/024; A01G 25/14; A01G 27/001;
 A01G 9/042; A01G 27/005; A01G
 31/001; A01G 9/02; A01G 9/083; A01G
 9/12; B60D 1/185; B60P 7/083; B60P
 7/0853; B60P 7/0823; Y10T 24/2175;
 Y10T 24/2164

See application file for complete search history.

(56) References Cited

U.S. PATENT DOCUMENTS

D378,048 S * 2/1997 Seigel D8/354
 D454,609 S * 3/2002 Meyerhoffer D21/839
 D479,979 S * 9/2003 Kovacic D8/358

7,942,360 B2 5/2011 Breeden
 7,946,520 B2 * 5/2011 Roman B65H 75/4428
 137/355.21
 8,292,245 B2 * 10/2012 Schindler F16L 3/012
 137/355.16
 8,684,390 B1 * 4/2014 Barrette B60D 1/185
 242/370
 8,757,574 B2 * 6/2014 Bauck B65H 75/4463
 137/355.16
 8,973,222 B2 * 3/2015 Breeden B60P 7/083
 24/68 CD
 10,107,381 B2 * 10/2018 Niu B60P 7/083
 2009/0047091 A1 2/2009 Huck
 2012/0233824 A1 9/2012 Breeden
 2015/0352997 A1 * 12/2015 Huang B60D 1/185
 242/407
 2018/0326892 A1 * 11/2018 Plahuta B60P 7/083

OTHER PUBLICATIONS

SmartStraps 14-Foot Tow Strap, posted Sep. 28, 2007, [retrieved Jan. 16, 2019]. Retrieved from Internet, <URL: <https://www.amazon.com/SmartStraps-14-Foot-Strap-Break-Strength/dp/B000OEVLN2>>.*
 MSA Safety's V-TEC™ self-retracting lifeline is first to use dampener technology for additional safety, posted Jun. 28, 2017, [retrieved Jan. 16, 2019]. Retrieved from Internet, <URL: <https://www.bfm magazine.co.uk/msa-safety-s-v-tec-self-retracting-lifeline-is-first-to-use-dampener-technology-for-additional-safety/>>.*
 MSA V-TEC™ 20 ft. SRL, posted Jul. 2017, [retrieved Jan. 16, 2019]. Retrieved from Internet, <URL: <https://images-na.ssl-images-amazon.com/images/I/81KXL0ec19L.pdf>>.*

* cited by examiner

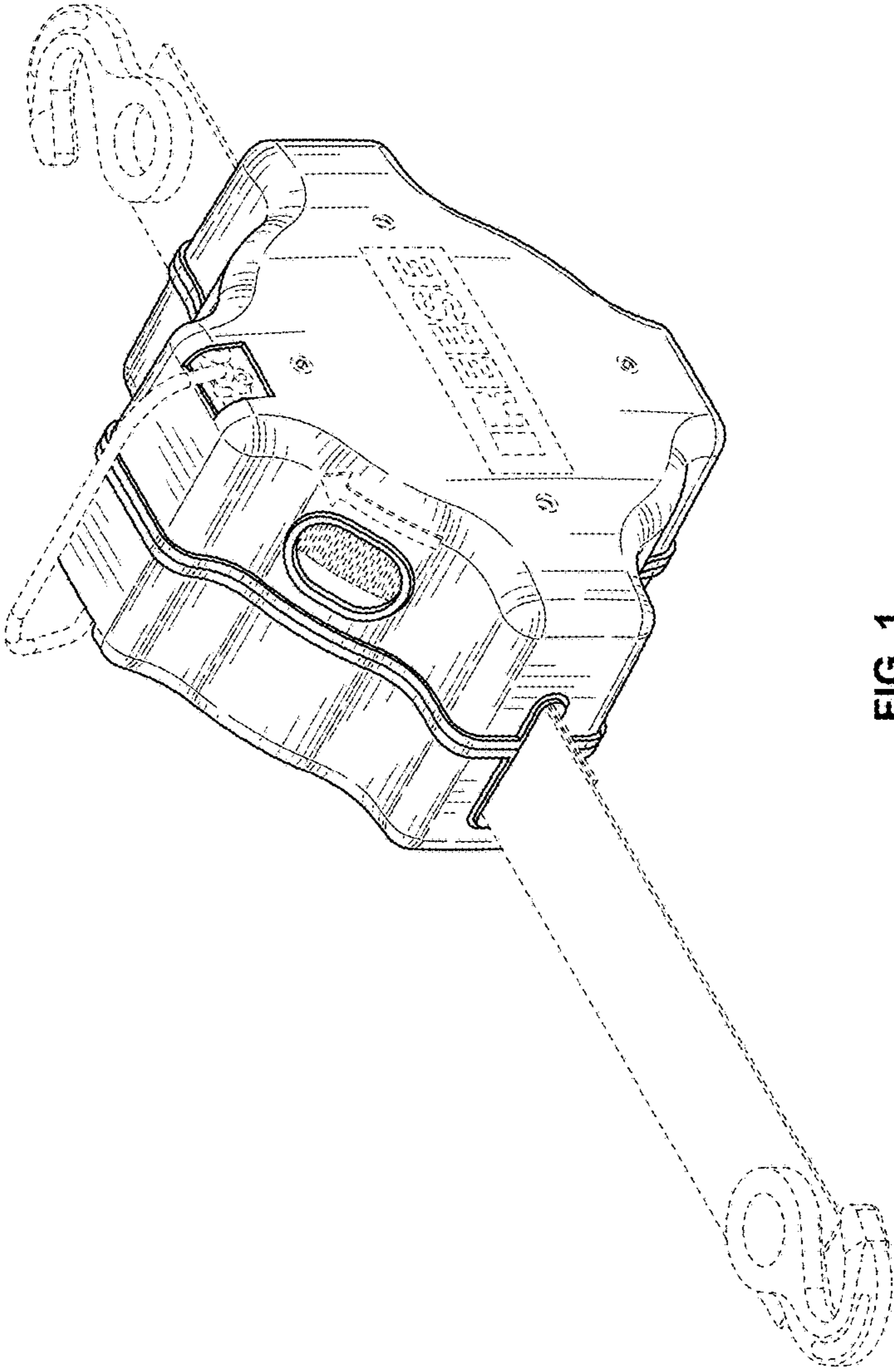


FIG. 1

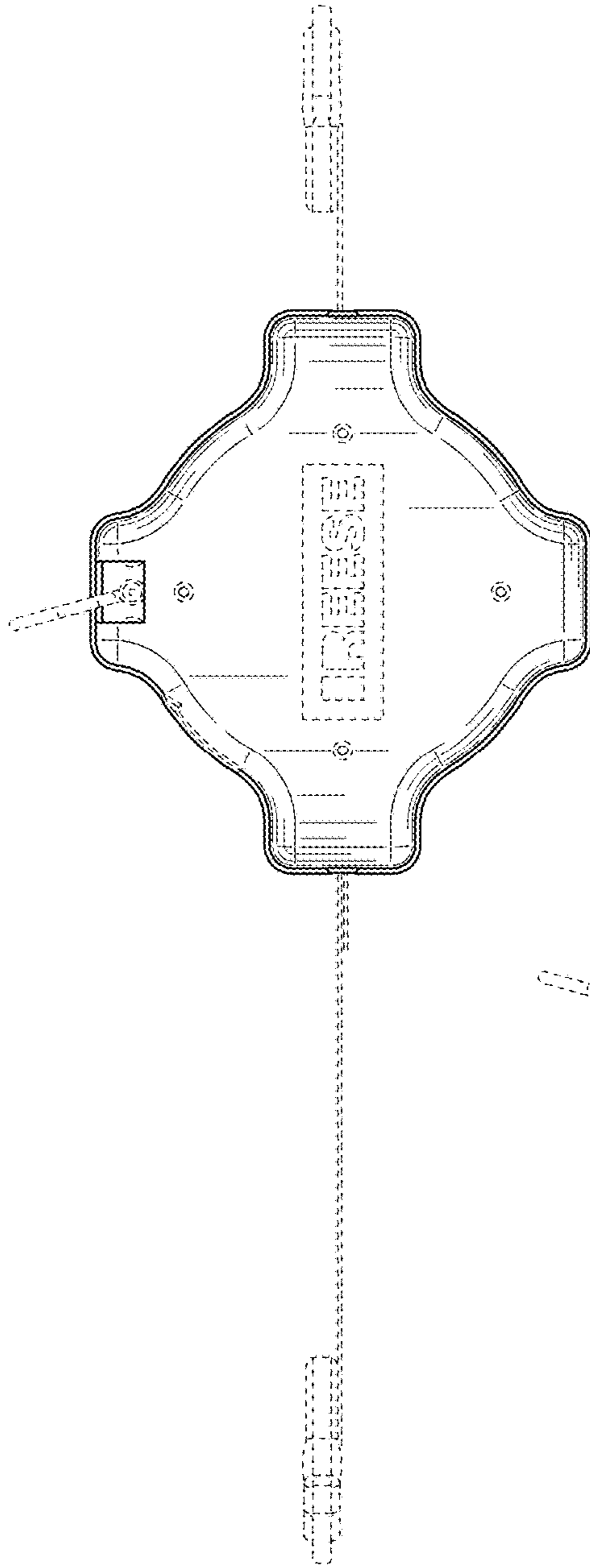


FIG. 2

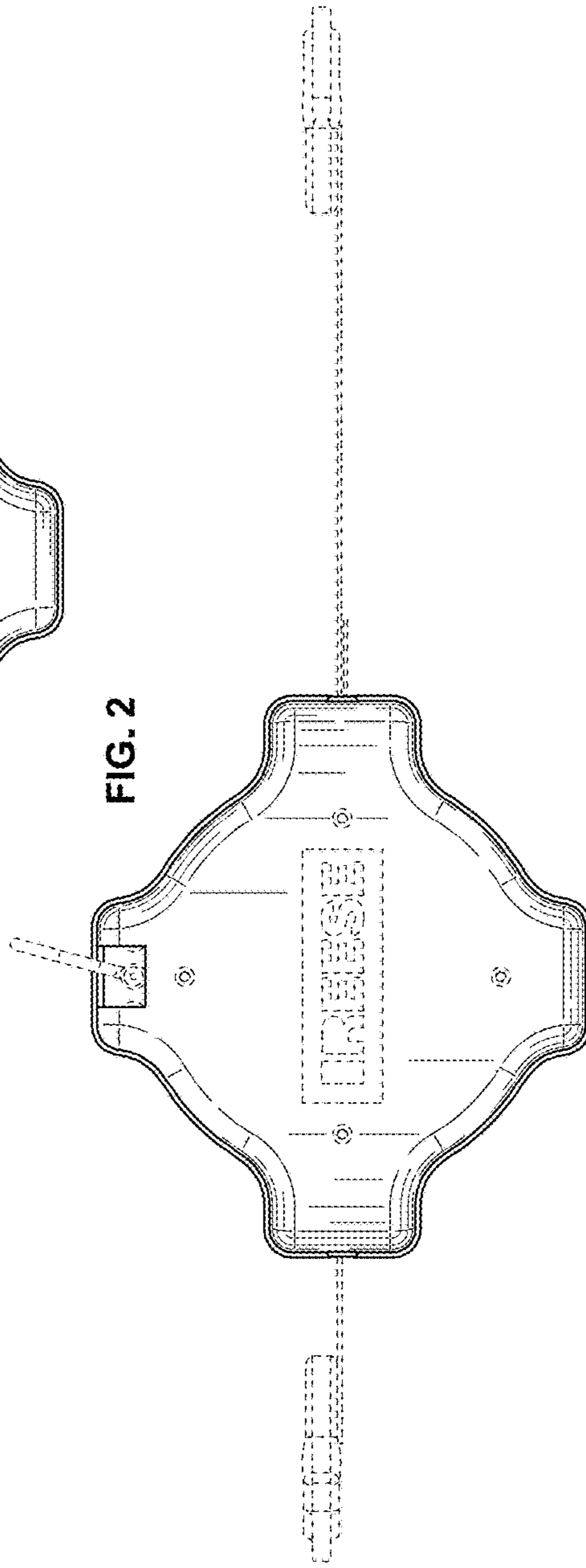


FIG. 3

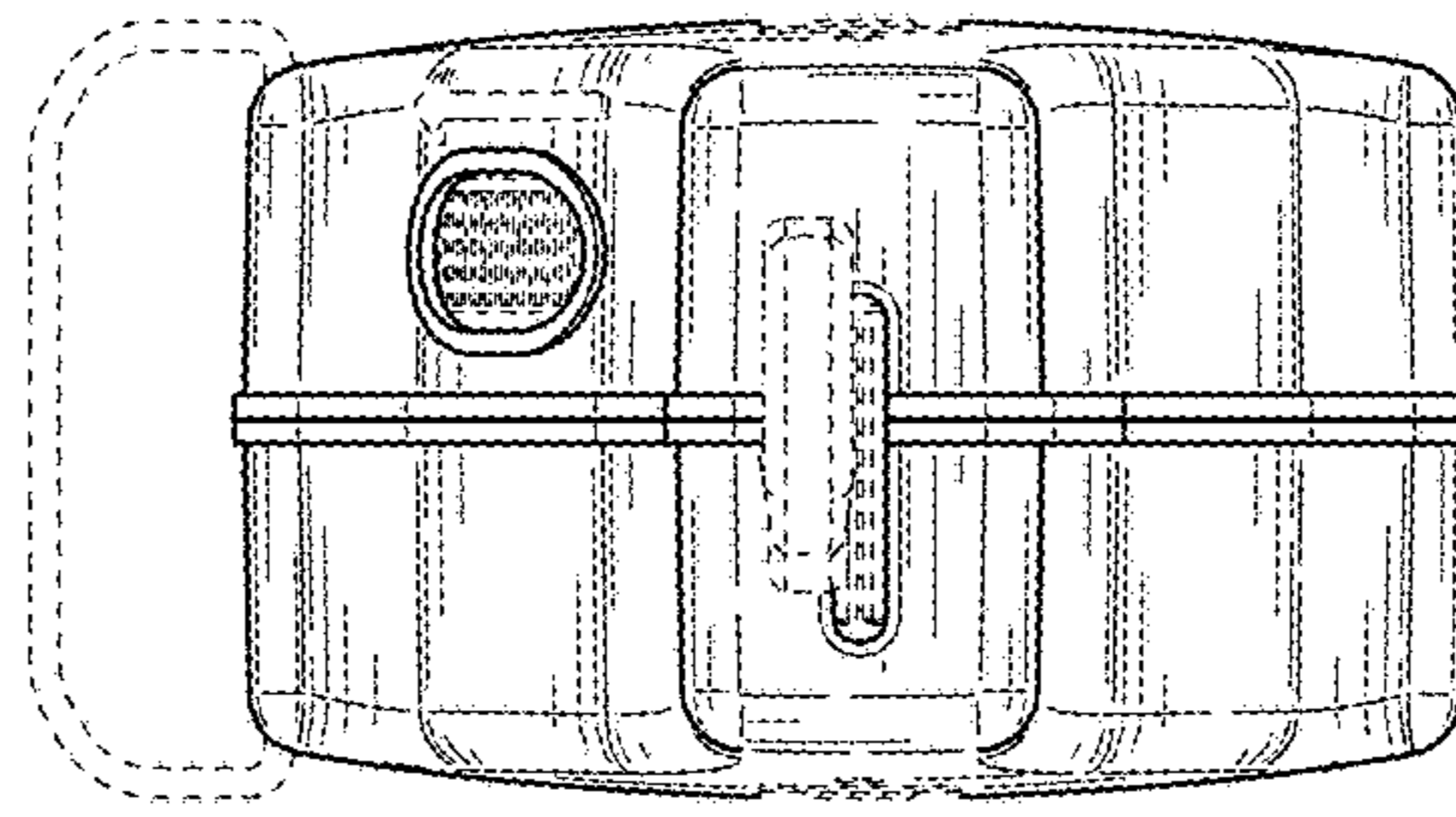


FIG. 5

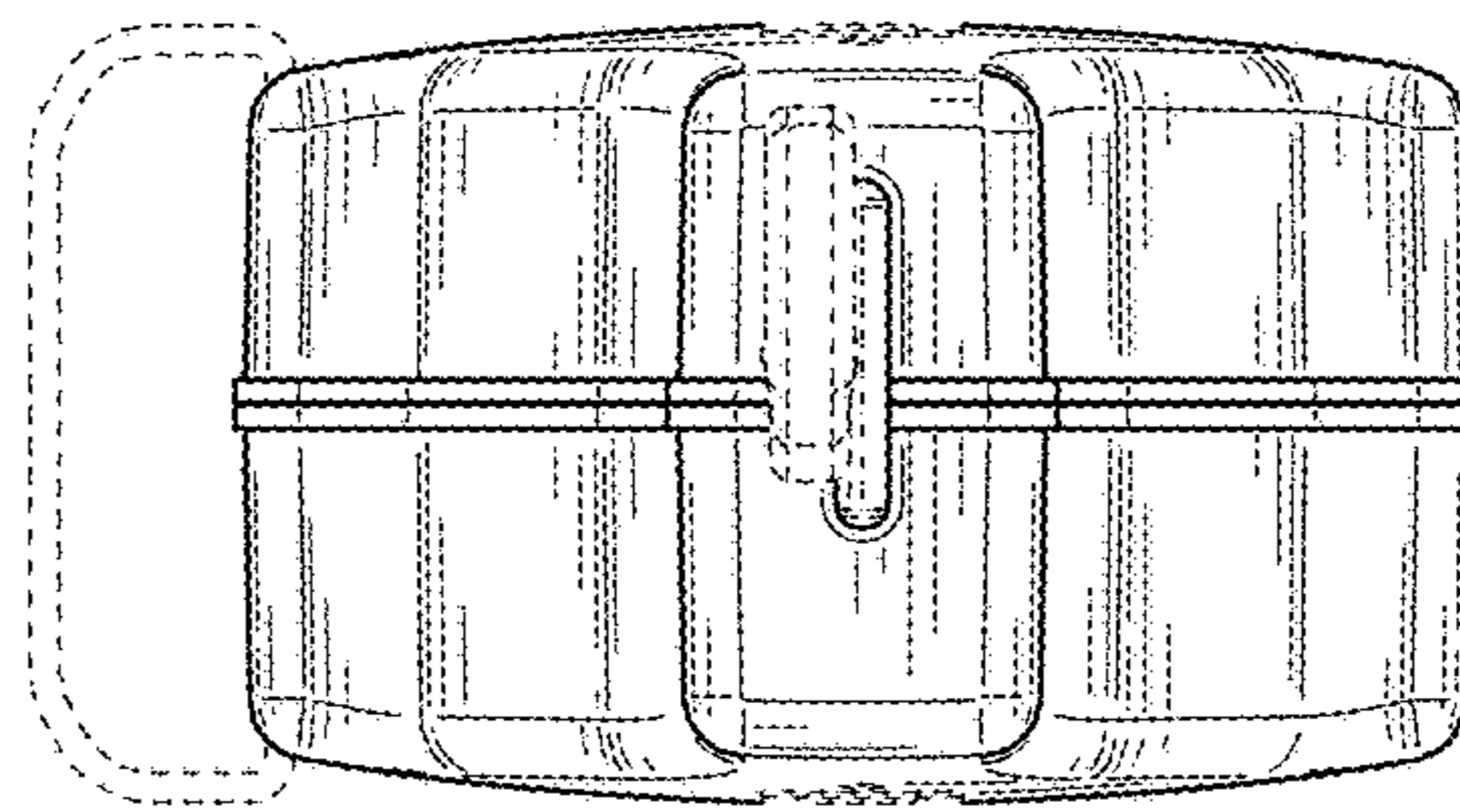


FIG. 4

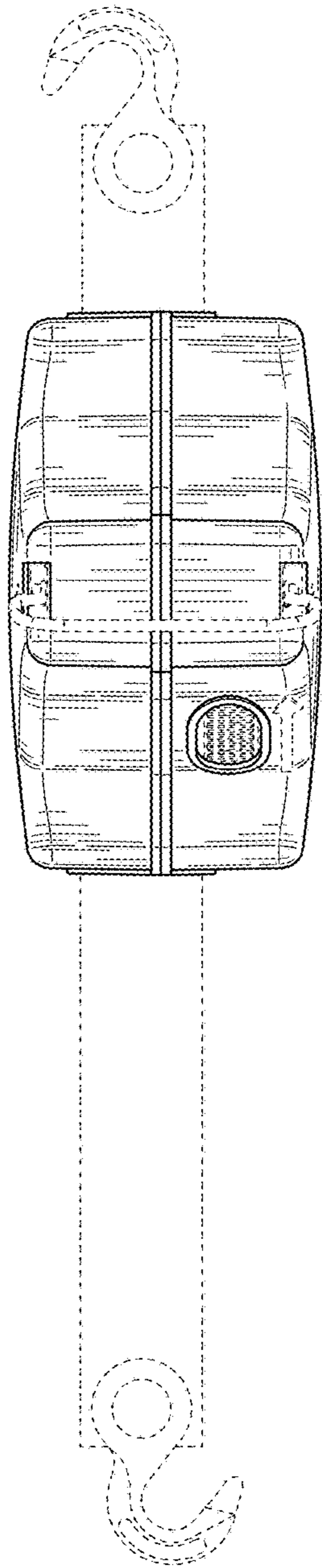


FIG. 6

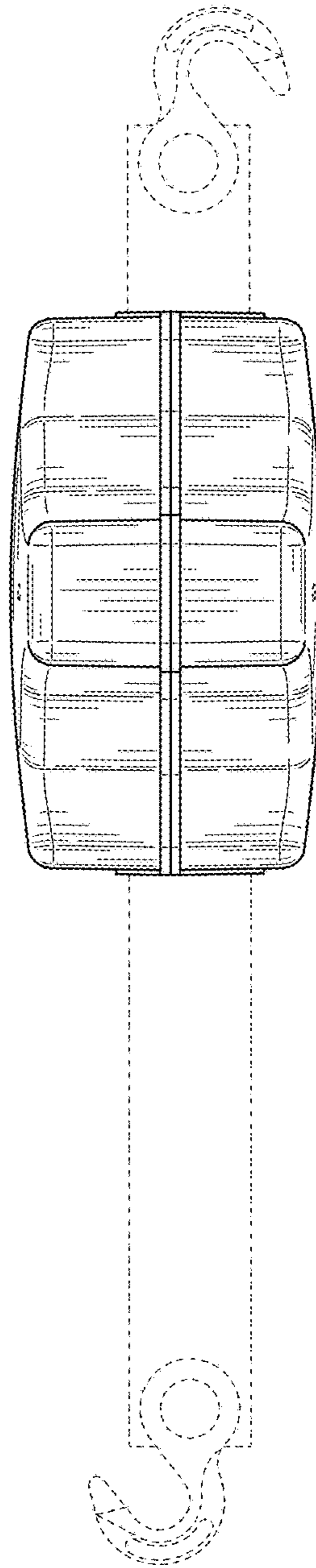


FIG. 7