



US00D867105S

(12) **United States Design Patent** (10) **Patent No.:** **US D867,105 S**
Briese et al. (45) **Date of Patent:** **** Nov. 19, 2019**

(54) **WINDOW SPACER FRAME LOCKING MEMBER**

FOREIGN PATENT DOCUMENTS

(71) Applicant: **GED INTEGRATED SOLUTIONS, INC.**, Glenwillow, OH (US)

GB 3008356 * 1/2003
KR 300349686.0000 4/2004

(72) Inventors: **William Briese**, Hinckley, OH (US);
Clifford J. Weber, Richfield, OH (US)

OTHER PUBLICATIONS

(73) Assignee: **GED Integrated Solutions, Inc.**,
Twinsburg, OH (US)

Six (6) photographs of a Table Cap for desks. The Table Cap shown in the photographs was on sale more than one-year prior to the filing date of the priority application (U.S. Appl. No. 29/579,520). That is, the Table Cap shown in the photographs was on sale at least as early as Sep. 29, 2015. Three (3) pages total for consideration.

(**) Term: **15 Years**

(21) Appl. No.: **29/653,645**

Primary Examiner — Leanne Was-Englehart
(74) *Attorney, Agent, or Firm* — Tarolli, Sundheim,
Covell & Tummino LLP; John A. Yirga, Esq.

(22) Filed: **Jun. 18, 2018**

Related U.S. Application Data

(62) Division of application No. 29/579,520, filed on Sep. 30, 2016, now Pat. No. Des. 824,747.

(51) **LOC (12) Cl.** **08-07**

(57) **CLAIM**

(52) **U.S. Cl.**
USPC **D8/343**

The ornamental design for a window spacer frame locking member, as shown and described.

(58) **Field of Classification Search**

USPC D8/330, 331, 339, 341, 343; D25/48.1,
D25/48.3, 48.7, 48.8, 61, 199
CPC F16B 21/12; F16B 41/00; F16B 41/002;
F16B 19/109; F16B 19/1081; F16B
5/0208; F16B 5/0266

DESCRIPTION

See application file for complete search history.

FIG. 1 is a top left perspective view of a window spacer frame locking member in accordance with the present disclosure;
FIG. 2 is a bottom right perspective view thereof;
FIG. 3 is a right side elevation view thereof;
FIG. 4 is a left side elevation view thereof;
FIG. 5 is a front elevation view thereof;
FIG. 6 is a rear elevation view thereof;
FIG. 7 is a top plan view thereof;
FIG. 8 is a bottom plan view thereof;
FIG. 9 is a cross-section of a right side elevation view thereof taken along lines 9-9 of FIG. 1; and,
FIG. 10 is a cross-section front elevation view thereof taken along lines 10-10 of FIG. 1.

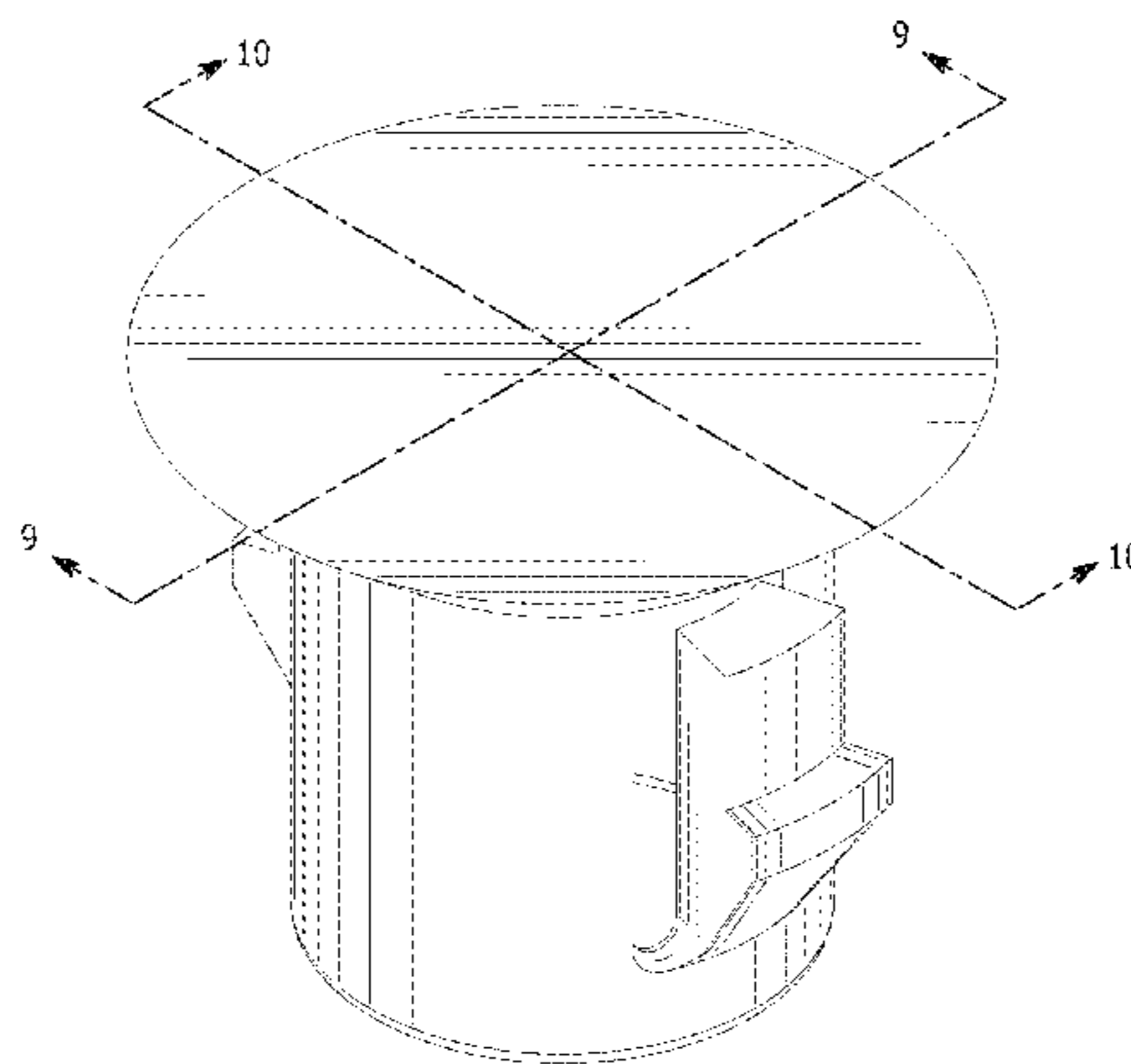
(56) **References Cited**

U.S. PATENT DOCUMENTS

D34,031 S * 2/1901 Milligan D8/385
1,018,336 A * 2/1912 Otte F16B 21/12
411/351
3,190,092 A * 6/1965 Patriquin E05B 9/04
248/27.1
3,924,506 A * 12/1975 Uozumi F16B 21/12
411/360
4,301,629 A * 11/1981 Farr B62D 25/24
217/109
D273,091 S * 3/1984 Kurosaki D8/382

(Continued)

1 Claim, 10 Drawing Sheets



(56)

References Cited

U.S. PATENT DOCUMENTS

D291,057 S *	7/1987	Shiraishi	174/138 D	8,393,840 B2 *	3/2013	Chiu	F16B 5/0266
D293,882 S *	1/1988	Takahashi	D8/382				411/353
D293,883 S *	1/1988	Hirohata	D8/382	8,720,874 B2 *	5/2014	Tschida	F16B 19/109
D293,884 S *	1/1988	Hirohata	D8/382				269/229
4,728,238 A *	3/1988	Chisholm	F16B 19/004	D736,420 S *	8/2015	Somerfield	D25/199
			411/456	9,212,515 B2 *	12/2015	Calcel	B21D 53/74
D326,605 S *	6/1992	Nakanura	D8/382	D752,952 S *	4/2016	Barz	D8/349
5,133,168 A *	7/1992	Neilly	E06B 3/5892	9,316,242 B2 *	4/2016	Aoshima	F16B 19/004
			52/204.5	9,500,215 B2 *	11/2016	Kim	F16B 2/26
5,157,950 A *	10/1992	Demarest, Jr.	E05B 17/2073	D795,674 S *	8/2017	Schroll	D8/343
			292/67	D824,747 S *	8/2018	Briese	D8/343
D350,686 S *	9/1994	Myers	D8/343	2004/0262929 A1 *	12/2004	Trickel	E05B 65/0841
5,468,108 A *	11/1995	Sullivan	F16B 21/084				292/241
			411/510	2005/0238456 A1 *	10/2005	Stinson	F16B 13/045
5,669,731 A *	9/1997	Hironaka	F16B 21/06				411/34
			24/297	2007/0294865 A1 *	12/2007	Sano	F16B 19/1081
D390,162 S *	2/1998	Philipson	D11/222				24/324
D410,194 S *	5/1999	Hilton	D8/382	2008/0298925 A1 *	12/2008	Shinozaki	F16B 19/1081
6,431,585 B1 *	8/2002	Rickabus	B60R 21/215				411/48
			24/114.05	2010/0199569 A1 *	8/2010	Piedade	E05B 1/0015
D469,680 S *	2/2003	Laabs	D8/343				49/460
D474,102 S *	5/2003	Laabs	D8/346	2013/0336719 A1 *	12/2013	Baus	F16B 2/16
6,746,058 B2 *	6/2004	Kienzler	F16B 19/109				403/379.5
			292/175	2014/0093325 A1 *	4/2014	Mizukoshi	F16B 13/063
6,910,840 B2 *	6/2005	Anscher	F16B 19/1081				411/45
			411/41	2015/0125235 A1 *	5/2015	Benthien	F16B 21/065
D581,247 S *	11/2008	Durrant	D8/331				411/72
D590,242 S *	4/2009	Carter	D8/385	2015/0139754 A1 *	5/2015	Aoshima	F16B 19/004
D596,921 S *	7/2009	Hageman	D8/330				411/504
D617,172 S *	6/2010	DiVito	D8/343	2015/0259970 A1 *	9/2015	Briese	E06B 3/67386
7,802,365 B2 *	9/2010	McGlinchy	B21D 53/74				156/109
			29/403.3	2015/0361713 A1 *	12/2015	Briese	E06B 3/67313
7,866,033 B2 *	1/2011	James	E06B 3/67304				52/783.1
			29/403.1	2016/0017910 A1 *	1/2016	McDowell	F16B 19/008
D635,451 S *	4/2011	Sekine	D8/382				403/323
D648,210 S *	11/2011	Reynoso	D8/382	2016/0298668 A1 *	10/2016	Kanie	F16B 21/07
D649,431 S *	11/2011	Shartel	D8/330	2017/0291558 A1 *	10/2017	Meyers	B29C 45/16
				2018/0008045 A1 *	1/2018	Chu	A47B 97/001
				2018/0010626 A1 *	1/2018	Chu	F16B 21/086
				2018/0094476 A1 *	4/2018	Briese	E06B 3/67313
				2018/0148003 A1 *	5/2018	Hubner	B60R 13/0243

* cited by examiner

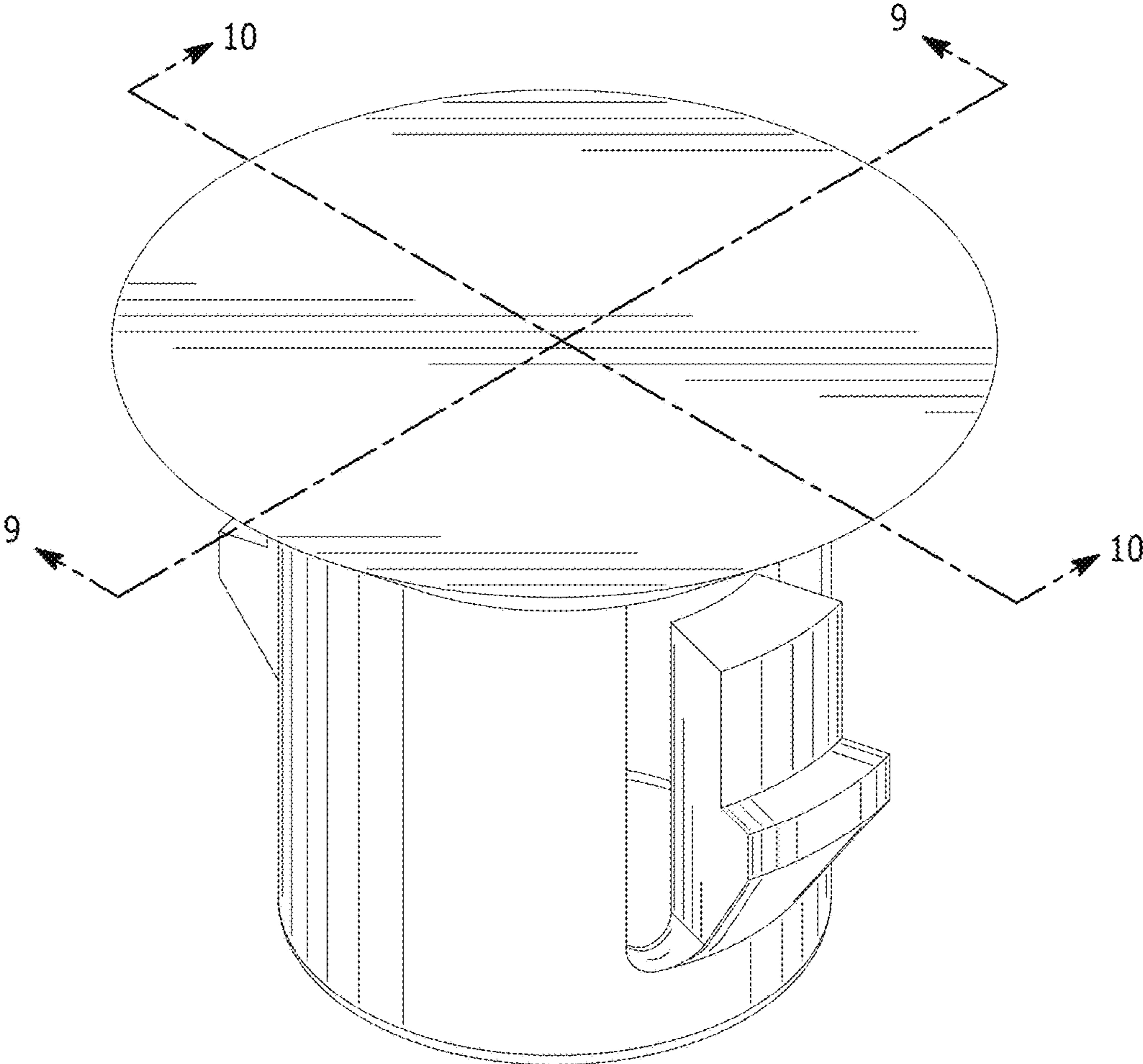


FIG. 1

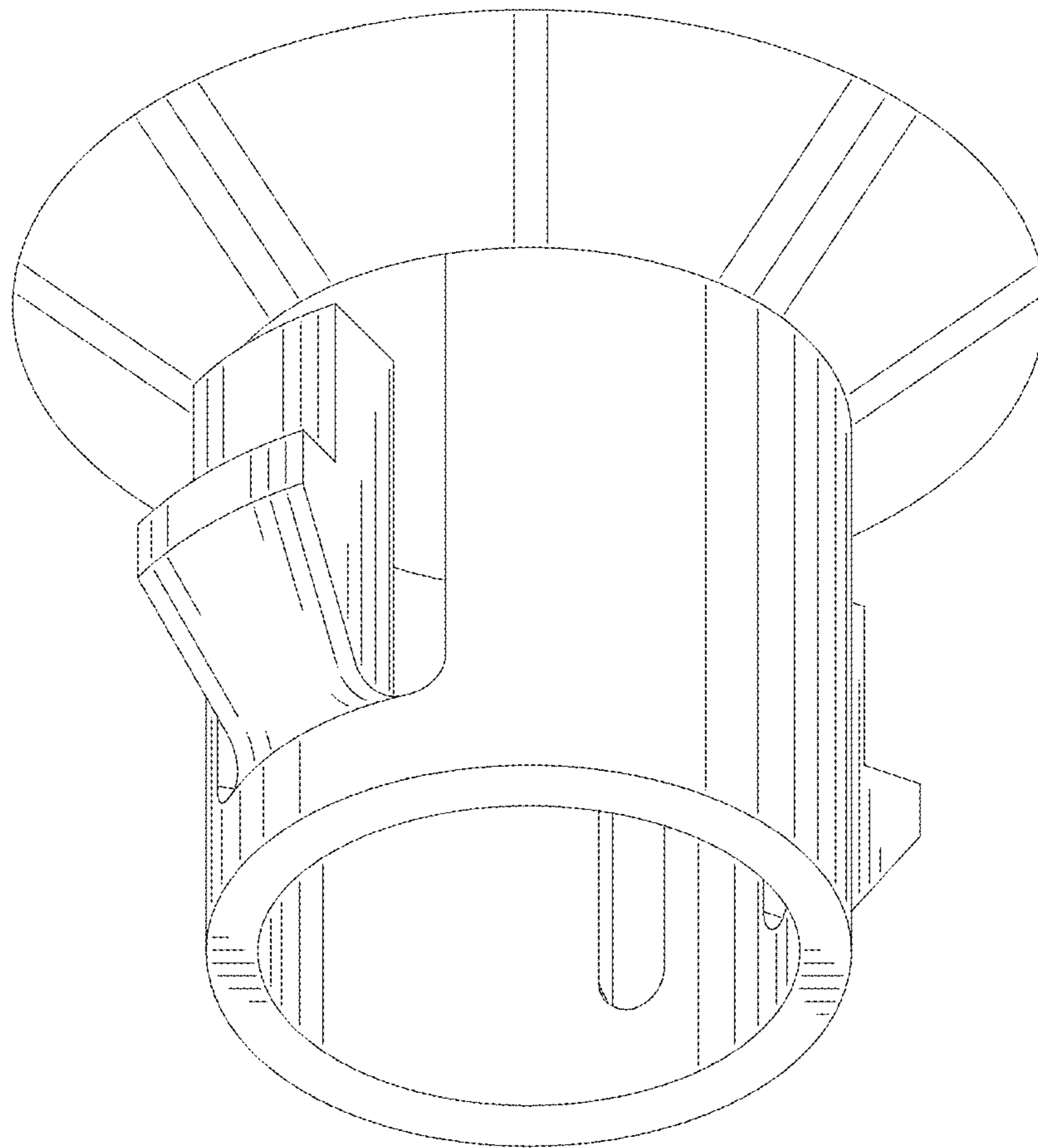


FIG. 2

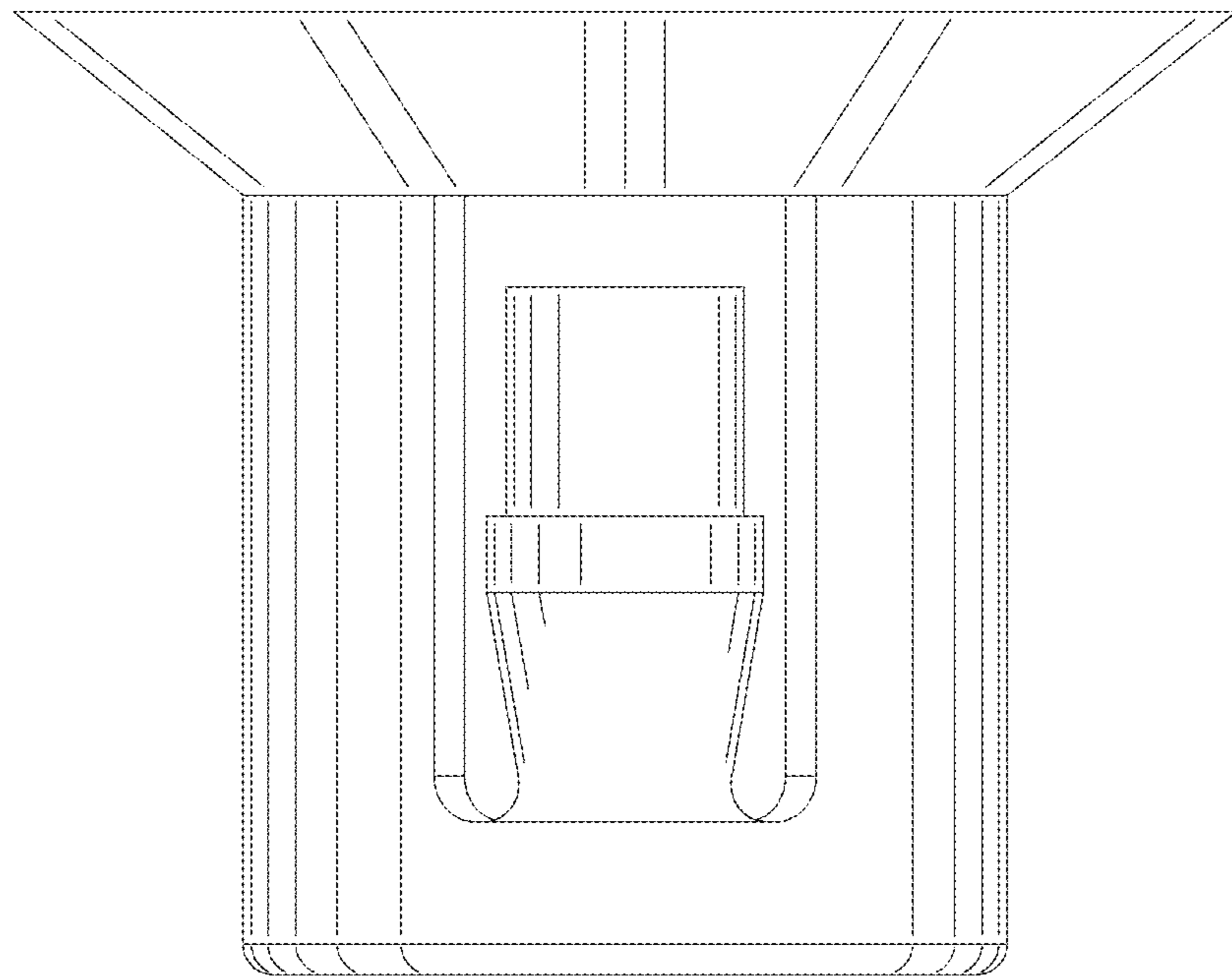


FIG. 3

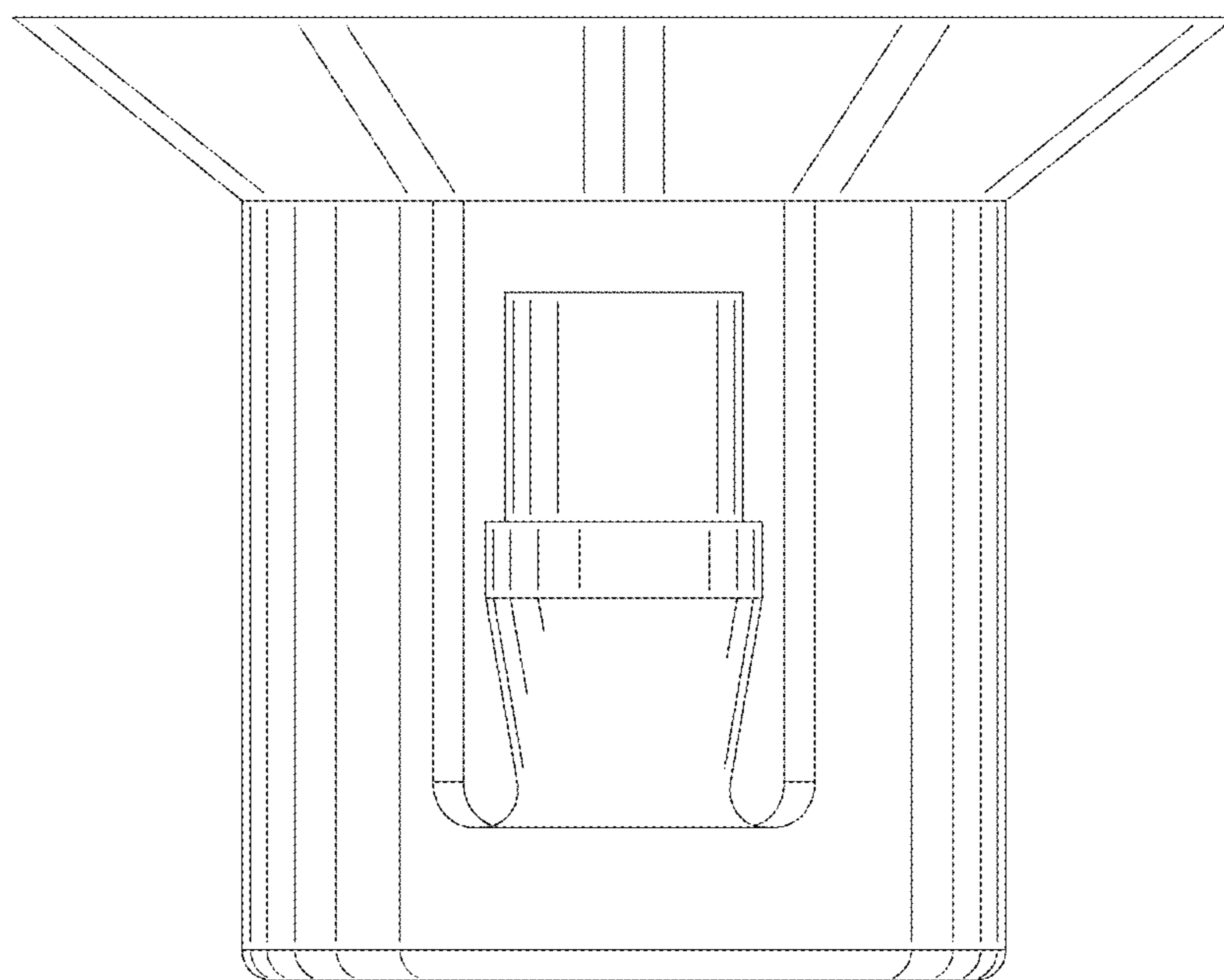


FIG. 4

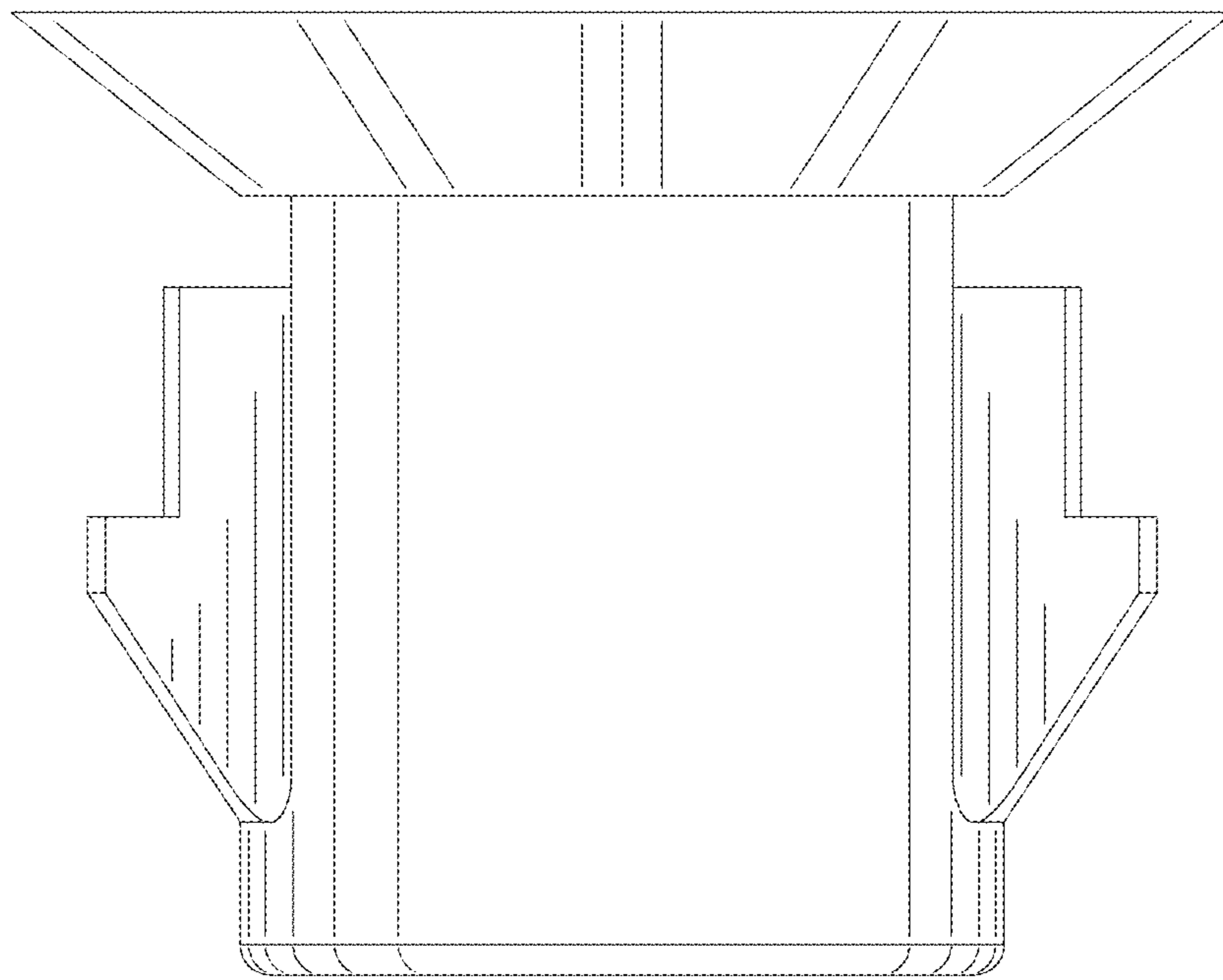


FIG. 5

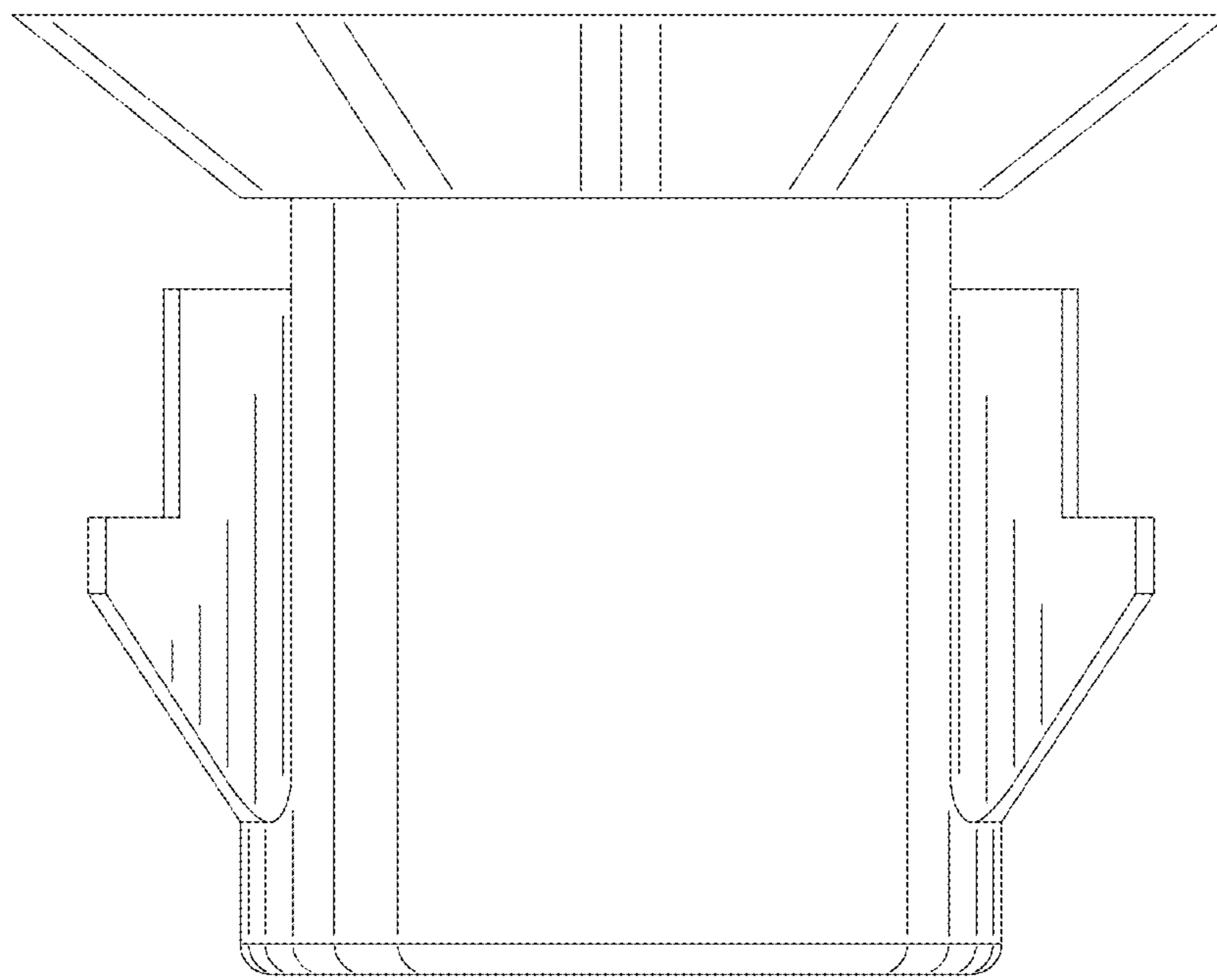


FIG. 6

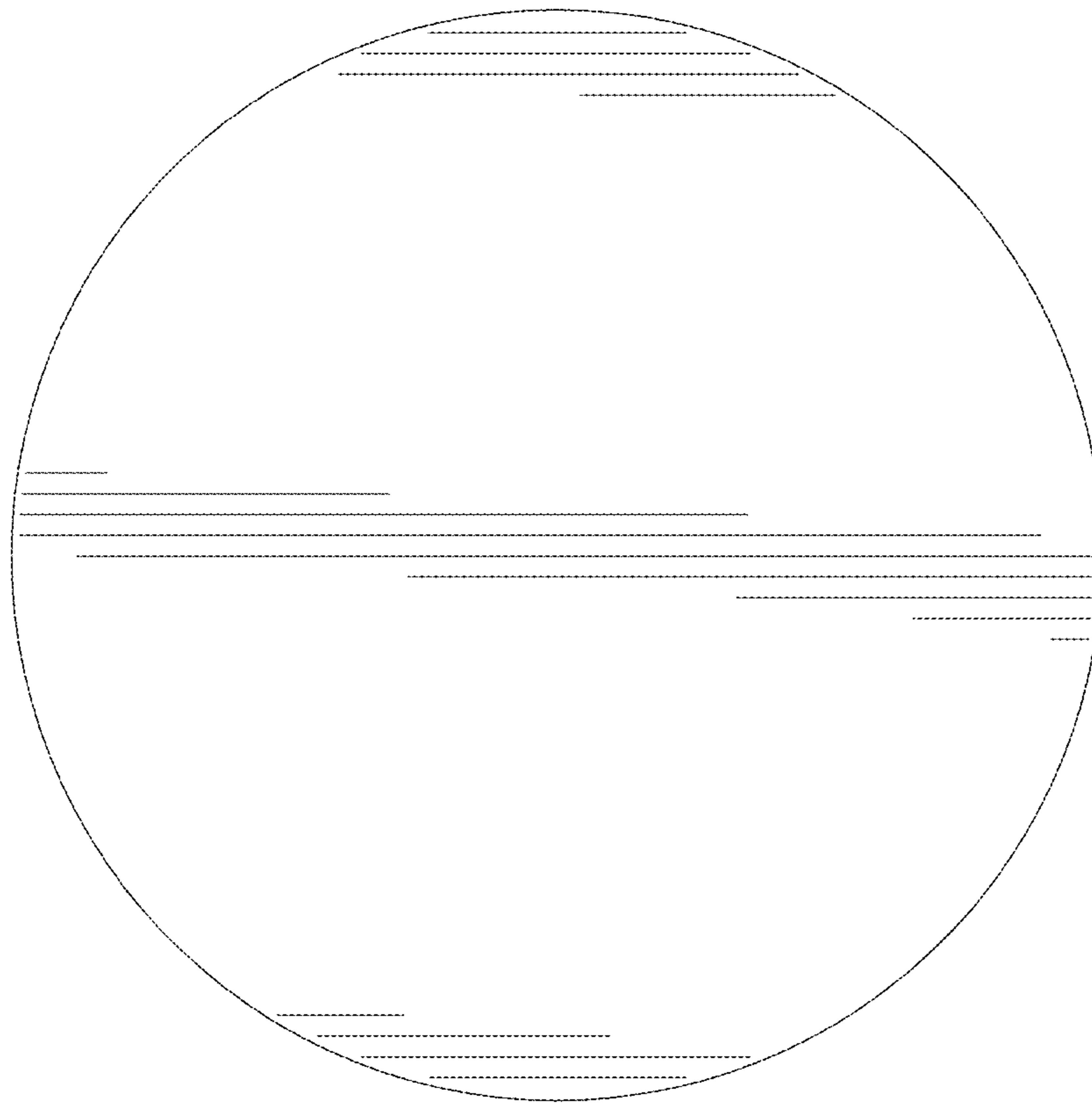


FIG. 7

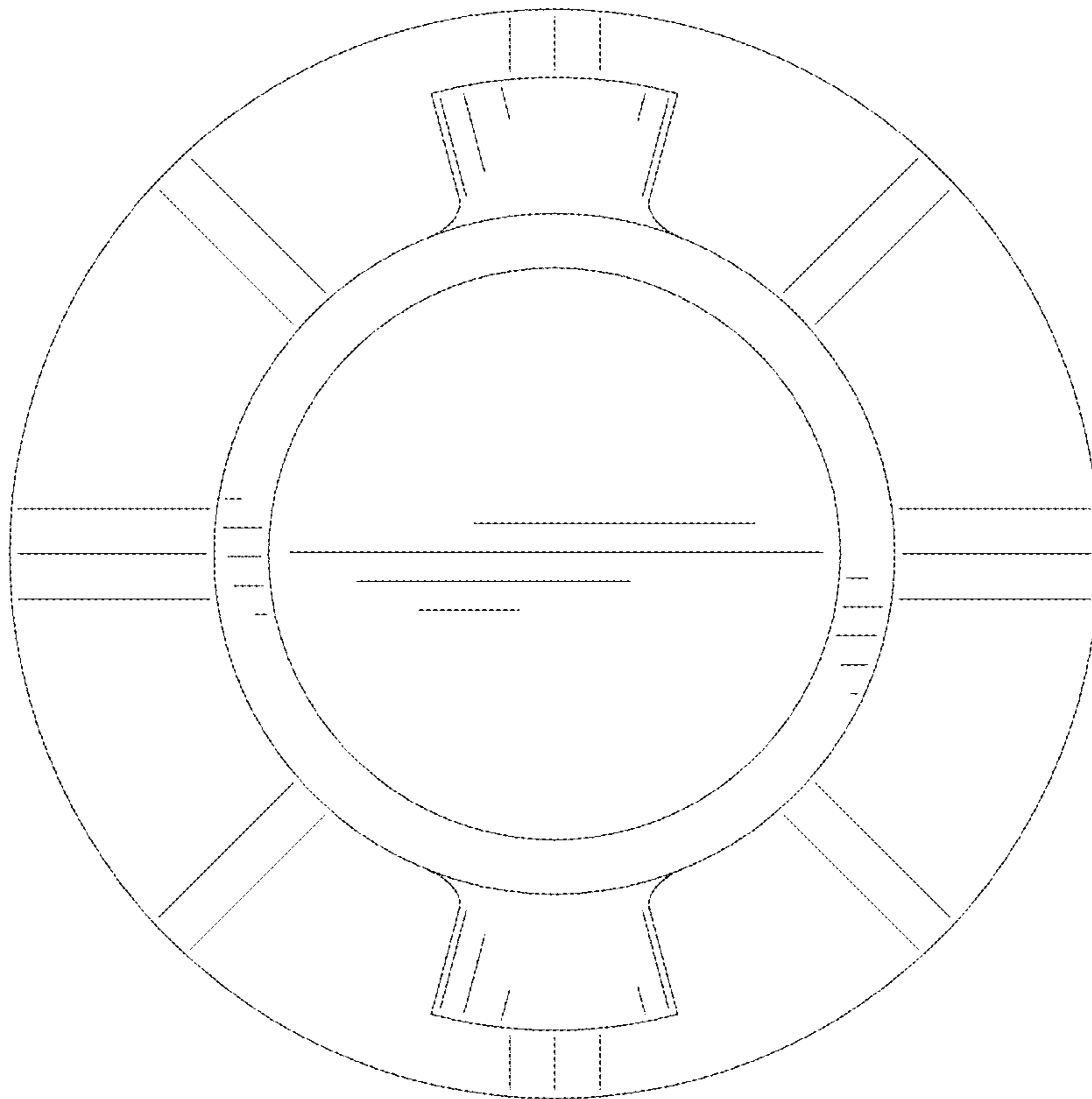


FIG. 8

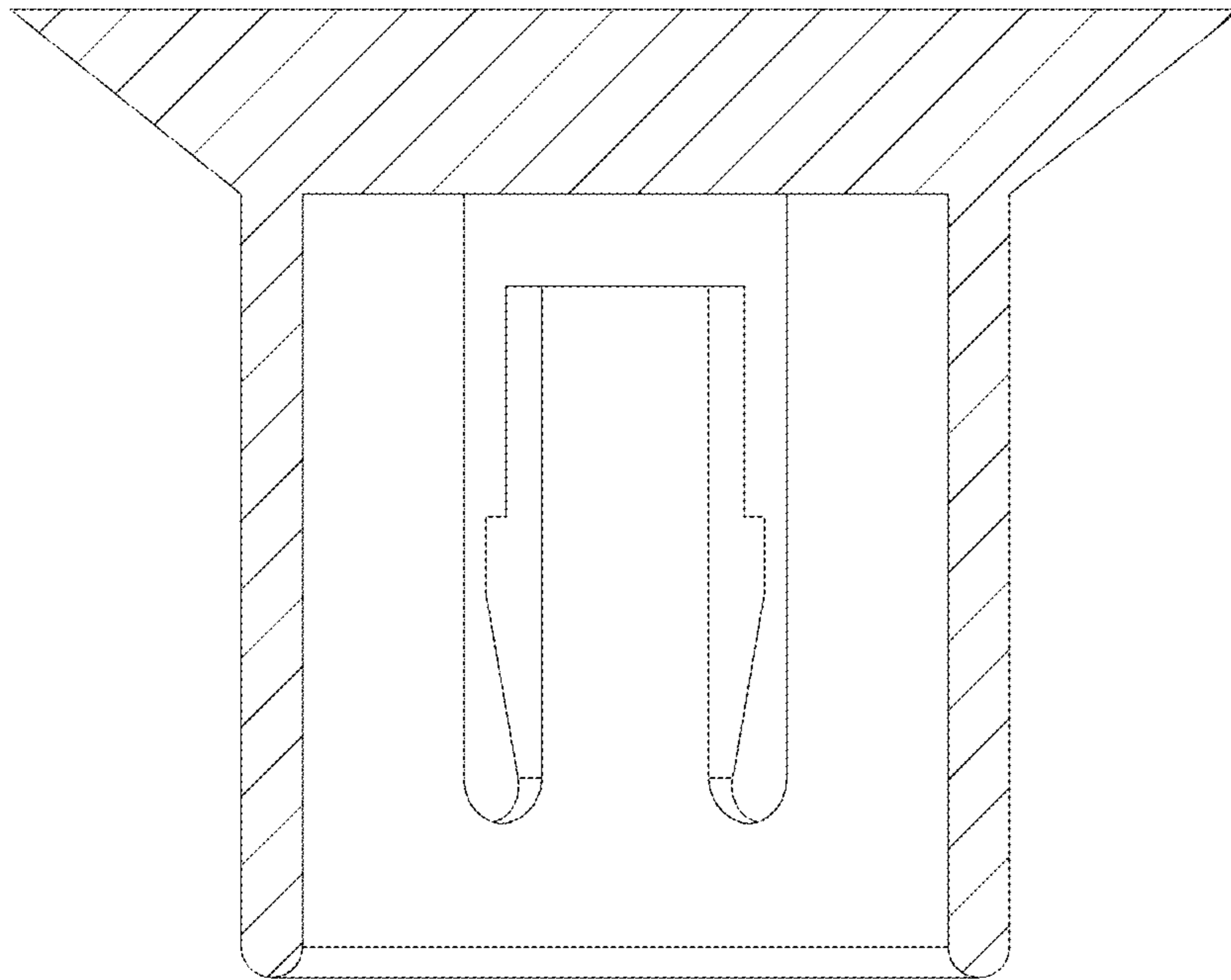


FIG. 9

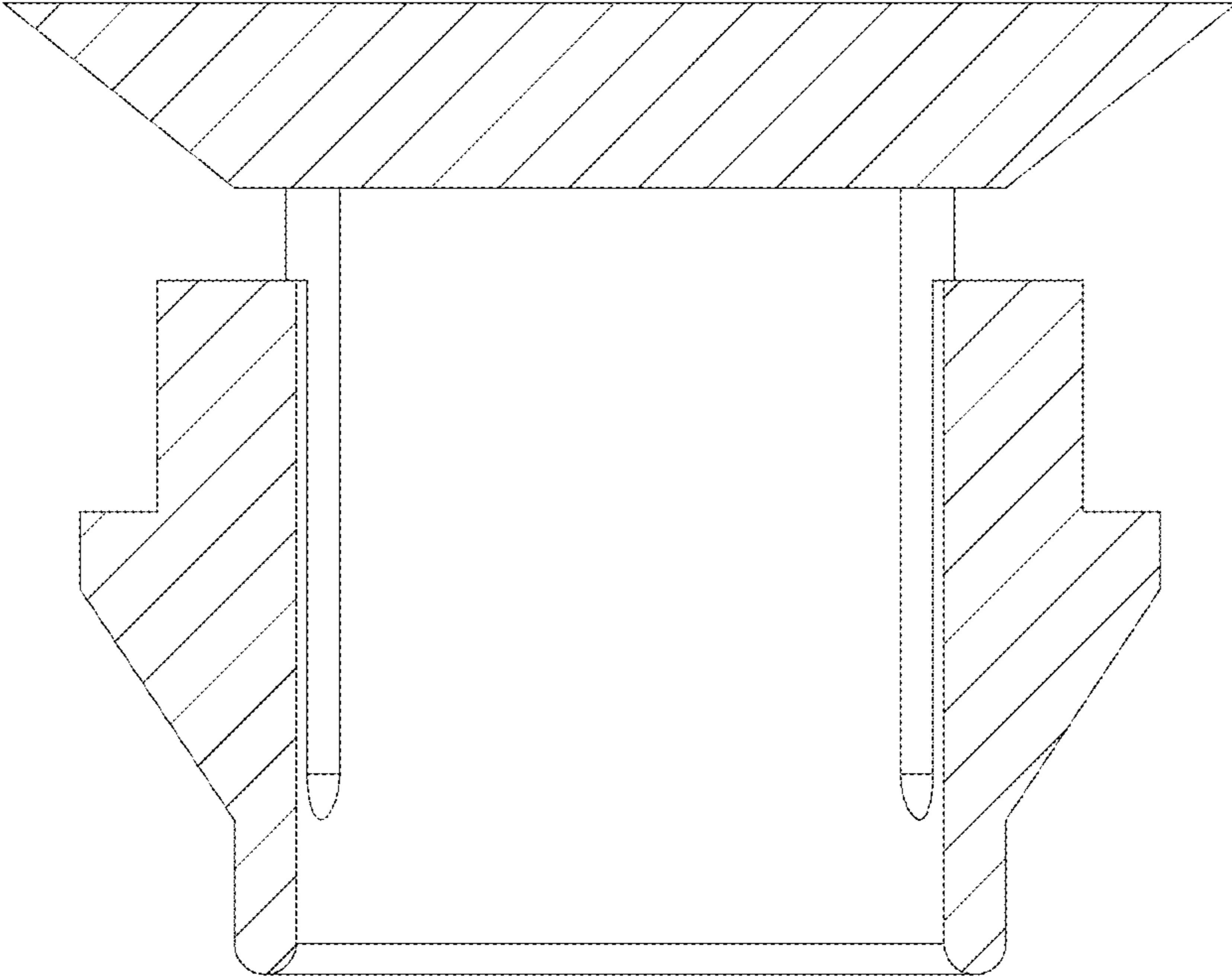


FIG. 10