

US00D867103S

(12) **United States Design Patent** (10) **Patent No.:** **US D867,103 S**  
**Griswold et al.** (45) **Date of Patent:** **\*\* Nov. 19, 2019**

(54) **EXIT DEVICE**

(71) Applicant: **ASSA ABLOY Access and Egress Hardware Group, Inc.**, New Haven, CT (US)

(72) Inventors: **Lee Griswold**, Bethel, CT (US); **Sean Svendsen**, Sunbury, OH (US); **Eric Fickas**, Plain City, OH (US)

(73) Assignee: **ASSA ABLOY Access and Egress Hardware Group, Inc.**, New Haven, CT (US)

(\*\*) Term: **15 Years**

(21) Appl. No.: **29/643,448**

(22) Filed: **Apr. 9, 2018**

(51) **LOC (12) Cl.** ..... **08-06**

(52) **U.S. Cl.**  
USPC ..... **D8/315**

(58) **Field of Classification Search**  
USPC ..... D8/300, 302, 315, 316, 319, 320, 321,  
D8/404, 330, 331, 338, 341, 349  
CPC ..... Y10T 292/0908; Y10T 70/5159  
See application file for complete search history.

(56) **References Cited**

**U.S. PATENT DOCUMENTS**

3,663,047	A *	5/1972	Zawadzki	.....	E05B 65/1053
					292/92
3,877,262	A *	4/1975	Williams	.....	E05B 65/1073
					70/92
4,167,280	A *	9/1979	Godec	.....	E05B 65/1053
					292/21
D268,003	S *	2/1983	Ohno	.....	D8/302
4,624,490	A	11/1986	Miller		

(Continued)

**OTHER PUBLICATIONS**

U.S. Appl. No. 29/678,269, filed Jan. 28, 2019, Griswold.  
U.S. Appl. No. 29/678,302, filed Jan. 28, 2019, Griswold.  
U.S. Appl. No. 29/643,446, filed Apr. 9, 2018, Griswold et al.

*Primary Examiner* — Janice Hallmark

*Assistant Examiner* — Harold E Blackwell, II

(74) *Attorney, Agent, or Firm* — Wolf, Greenfield & Sacks, P.C.

(57) **CLAIM**

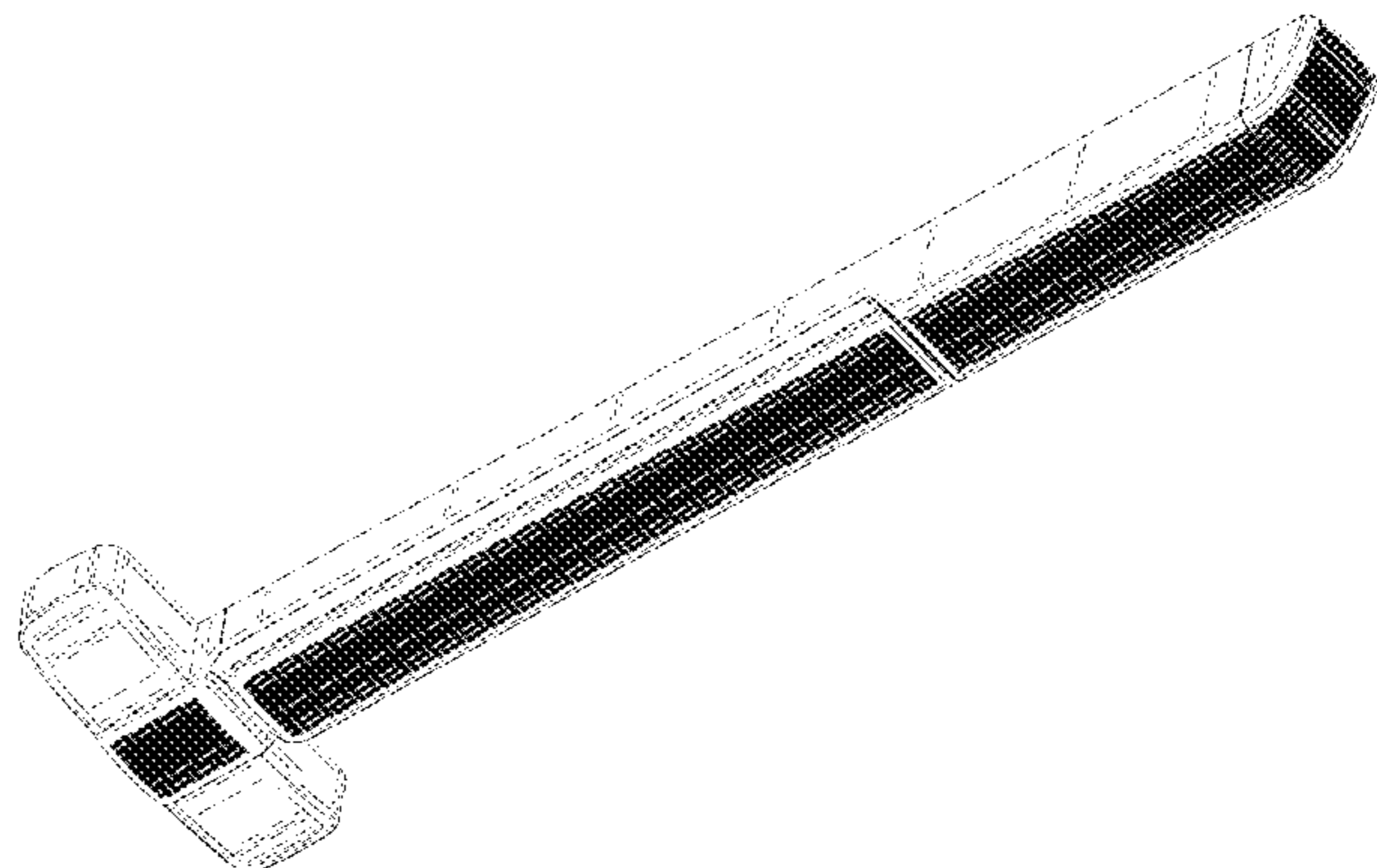
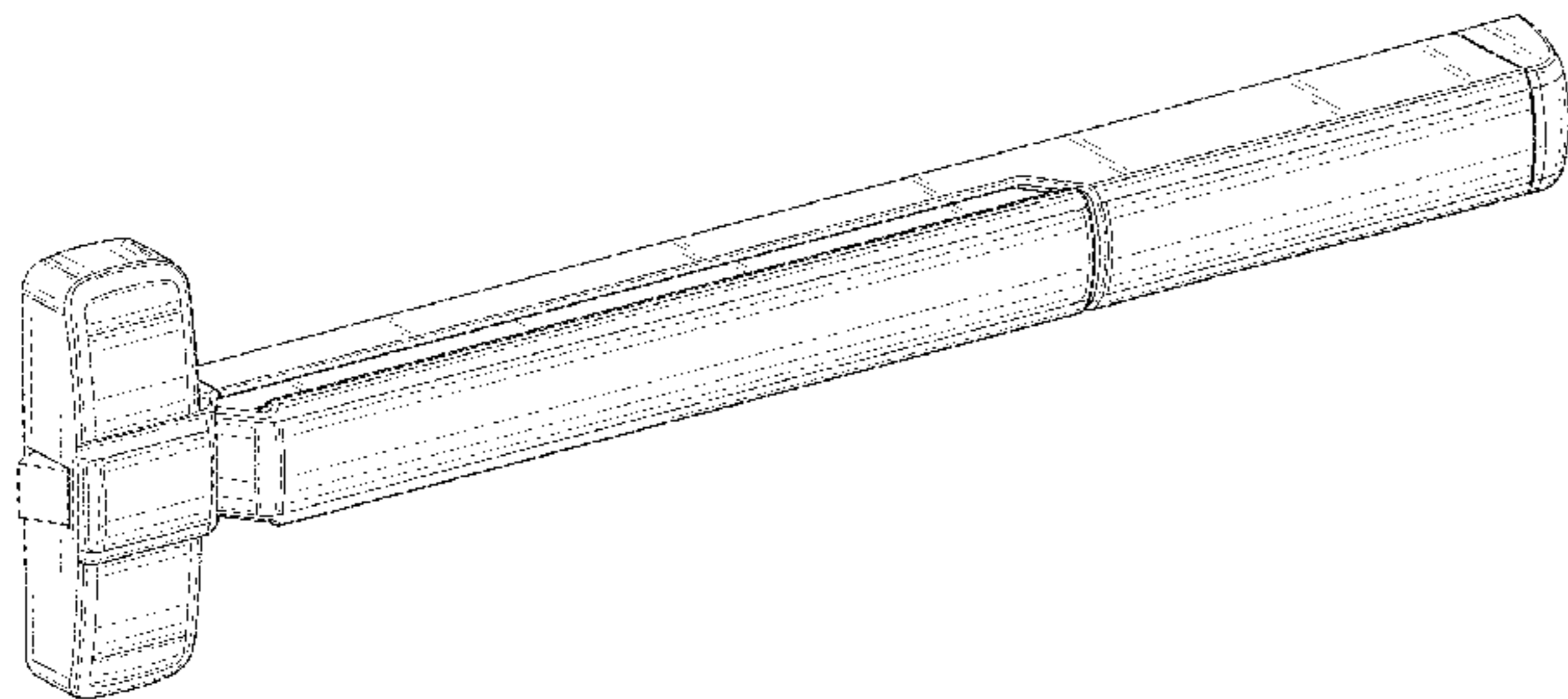
The ornamental design for an exit device, as shown and described.

**DESCRIPTION**

FIG. 1 is a top, front, left side perspective view of an embodiment of an exit device;  
FIG. 2 is a top, front, right side perspective view of FIG. 1;  
FIG. 3 is a front elevation view of FIG. 1;  
FIG. 4 is a rear elevation view of FIG. 1;  
FIG. 5 is a left side elevation view of FIG. 1;  
FIG. 6 is a right side elevation view of FIG. 1;  
FIG. 7 is a top plan view of FIG. 1;  
FIG. 8 is a bottom plan view of FIG. 1;  
FIG. 9 is a top, front, left side perspective view of another embodiment of an exit device;  
FIG. 10 is a top, front, right side perspective view of FIG. 9;  
FIG. 11 is a front elevation view of FIG. 9;  
FIG. 12 is a rear elevation view of FIG. 9;  
FIG. 13 is a left side elevation view of FIG. 9;  
FIG. 14 is a right side elevation view of FIG. 9;  
FIG. 15 is a top plan view of FIG. 9; and  
FIG. 16 is a bottom plan view of FIG. 9.

The dash-dash broken lines show portions of the exit device that form no part of the claimed design. The dot-dash broken lines represent boundaries of the claimed design and form no part of the claimed design. Any broken line illustration of environmental structure in the drawing is not part of the design sought to be patented.

**1 Claim, 16 Drawing Sheets**



(56)

References Cited

U.S. PATENT DOCUMENTS

D297,806	S *	9/1988	Mohn .....	D8/302
4,796,931	A	1/1989	Heid	
4,961,330	A	10/1990	Evans	
D318,410	S *	7/1991	Mohn .....	D8/302
5,042,851	A	8/1991	Hunt	
D331,182	S *	11/1992	Hsien .....	D8/302
6,532,777	B2	3/2003	Haeck et al.	
6,779,819	B2	8/2004	Surko, Jr.	
7,204,050	B2	4/2007	Molokotos et al.	
D578,860	S *	10/2008	James .....	D8/302
7,469,942	B2 *	12/2008	Whitaker .....	E05B 65/108 292/92
D604,585	S *	11/2009	Veltz .....	D8/302
7,832,778	B2	11/2010	Whitaker et al.	
7,905,522	B1	3/2011	Picard	
8,156,671	B2	4/2012	Presley et al.	
D669,333	S *	10/2012	Tien .....	D8/330
D669,334	S *	10/2012	Tien .....	D8/330
D669,335	S *	10/2012	Tien .....	D8/330
D669,336	S *	10/2012	Tien .....	D8/330
D669,337	S *	10/2012	Tien .....	D8/330
D669,338	S *	10/2012	Tien .....	D8/330
8,495,836	B2 *	7/2013	Lowder .....	E05B 65/1053 292/92
9,376,835	B2	6/2016	Schildwachter et al.	
9,428,924	B2	8/2016	Harris et al.	
9,816,291	B2 *	11/2017	Wong .....	E05B 43/005
9,878,305	B2	1/2018	Hossain et al.	
9,945,158	B2	4/2018	Lehner, Jr. et al.	

\* cited by examiner

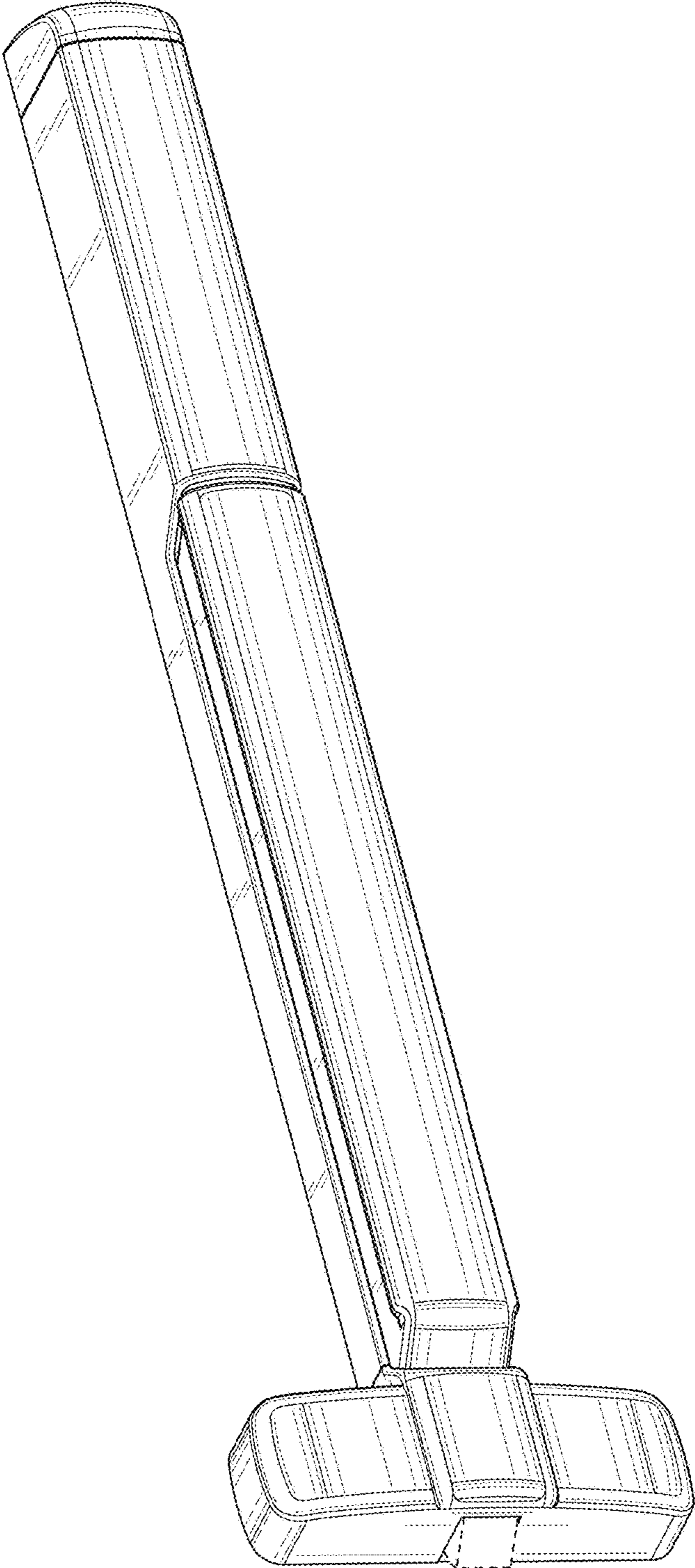


FIG. 1



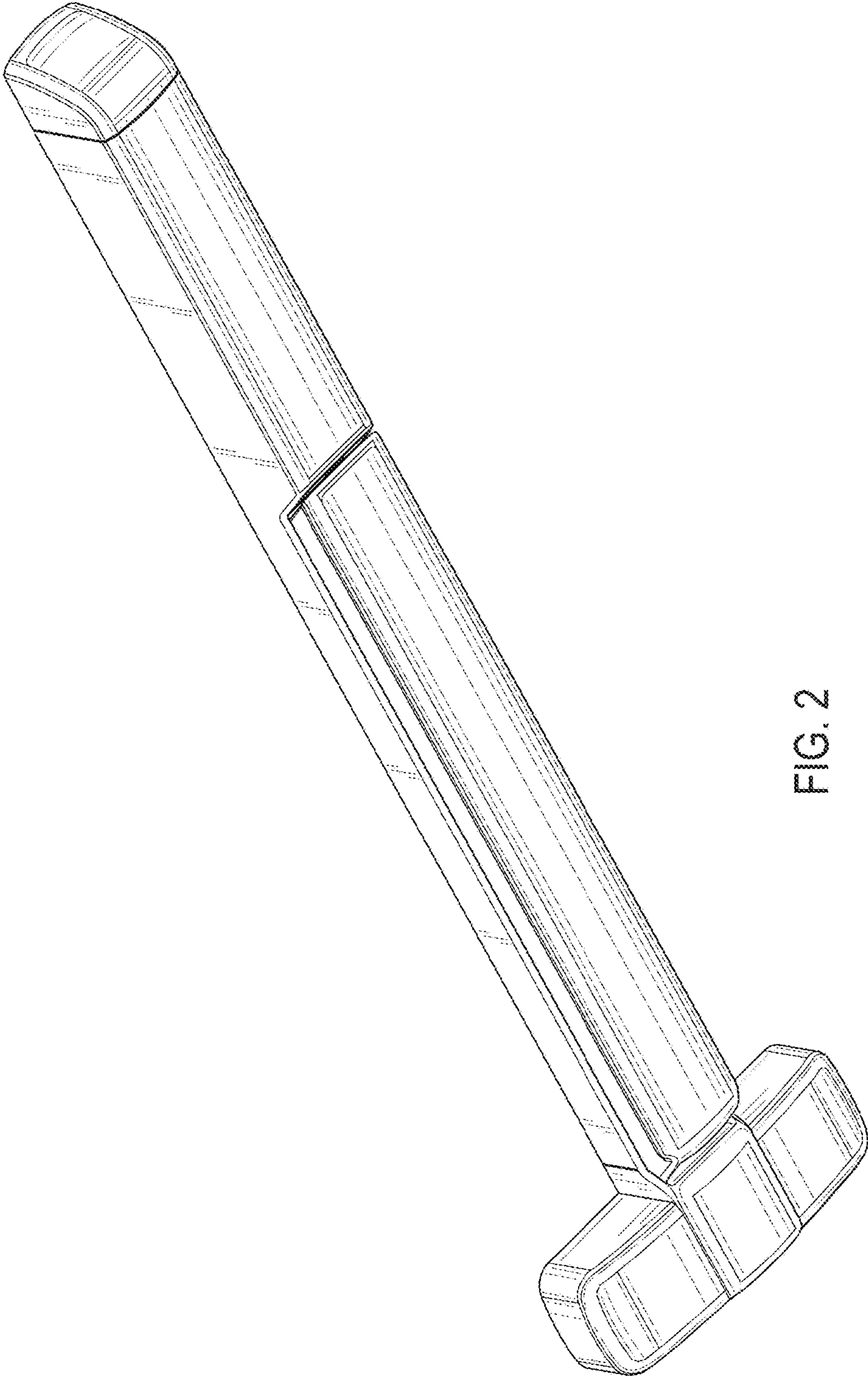


FIG. 2

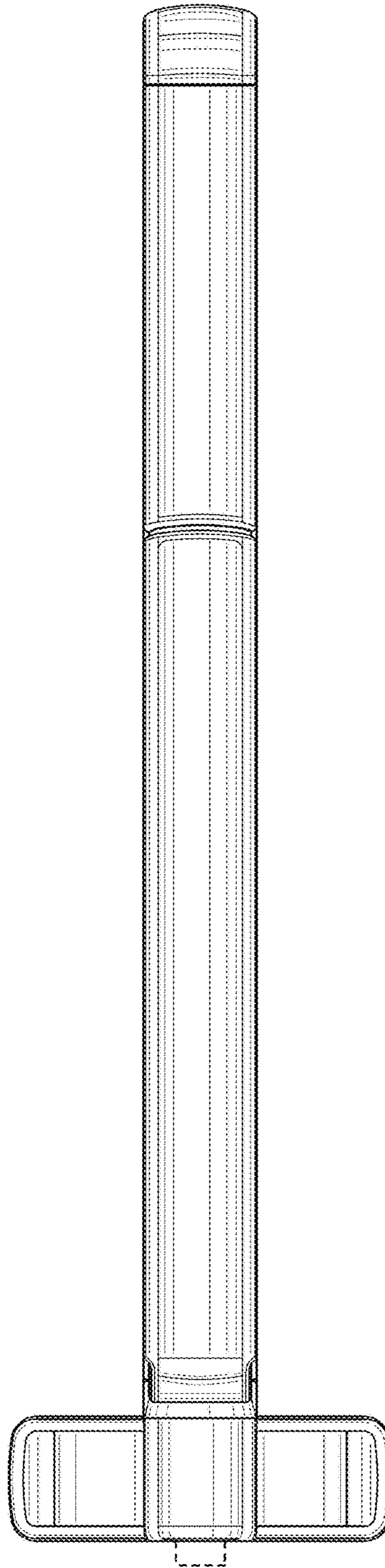


FIG. 3

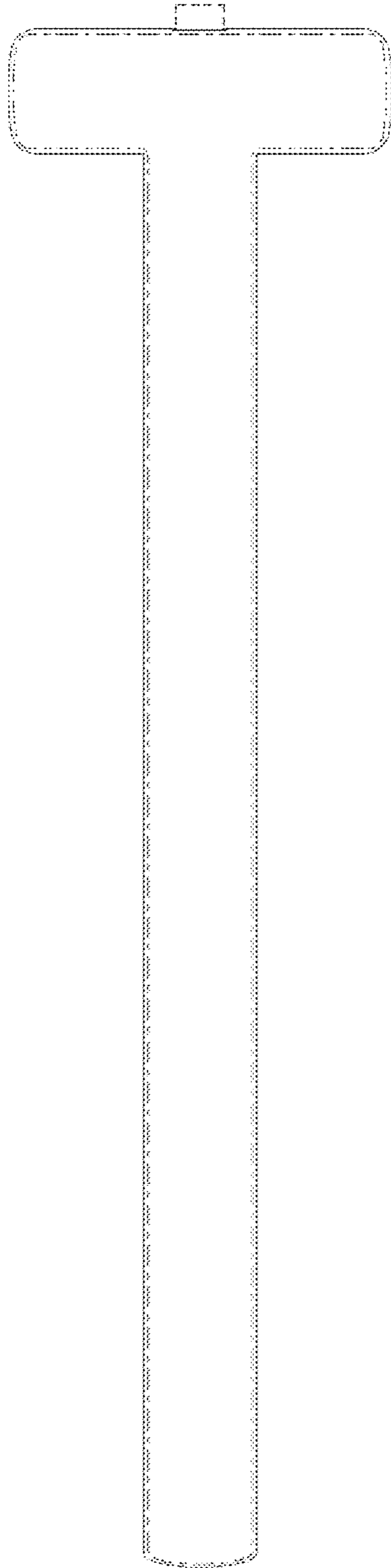


FIG. 4

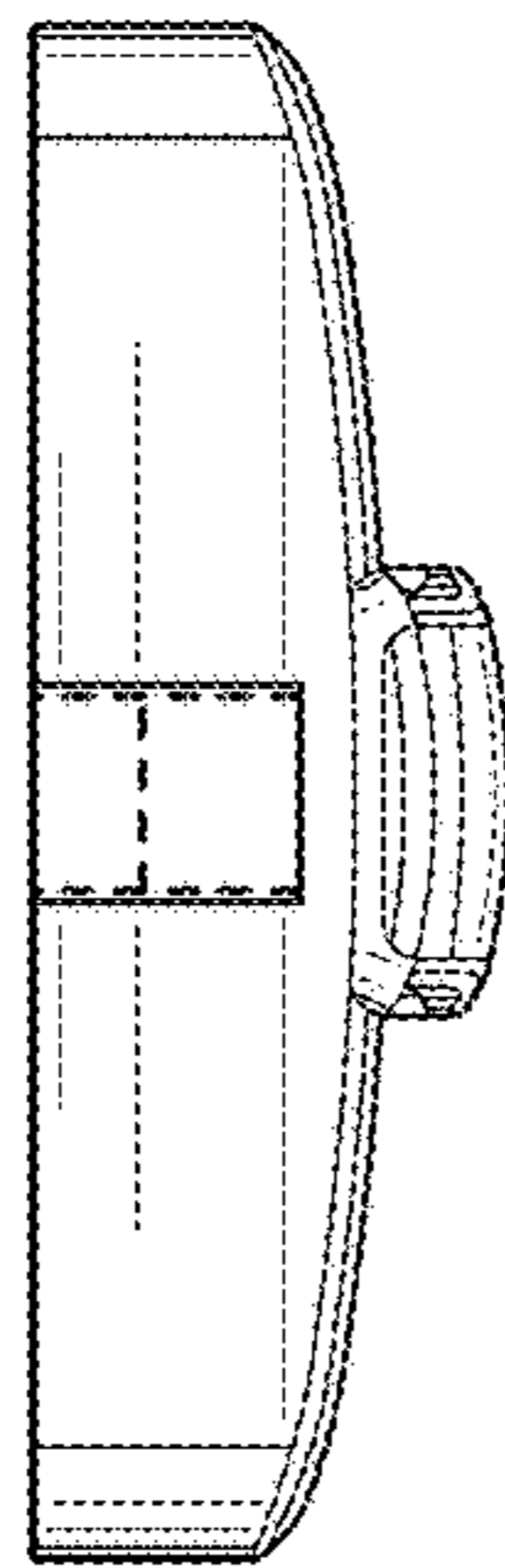


FIG. 5

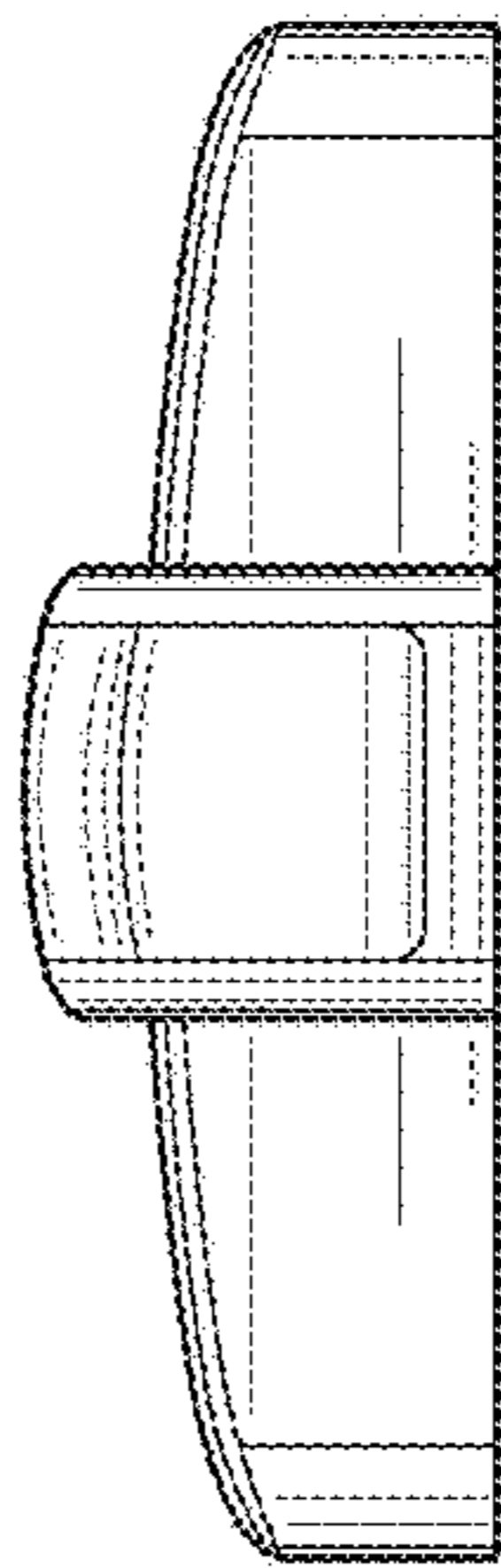


FIG. 6



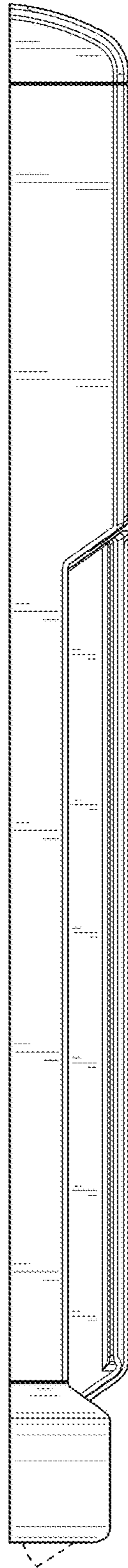


FIG. 7

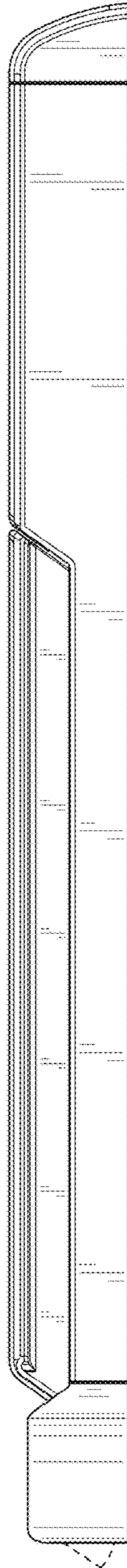


FIG. 8

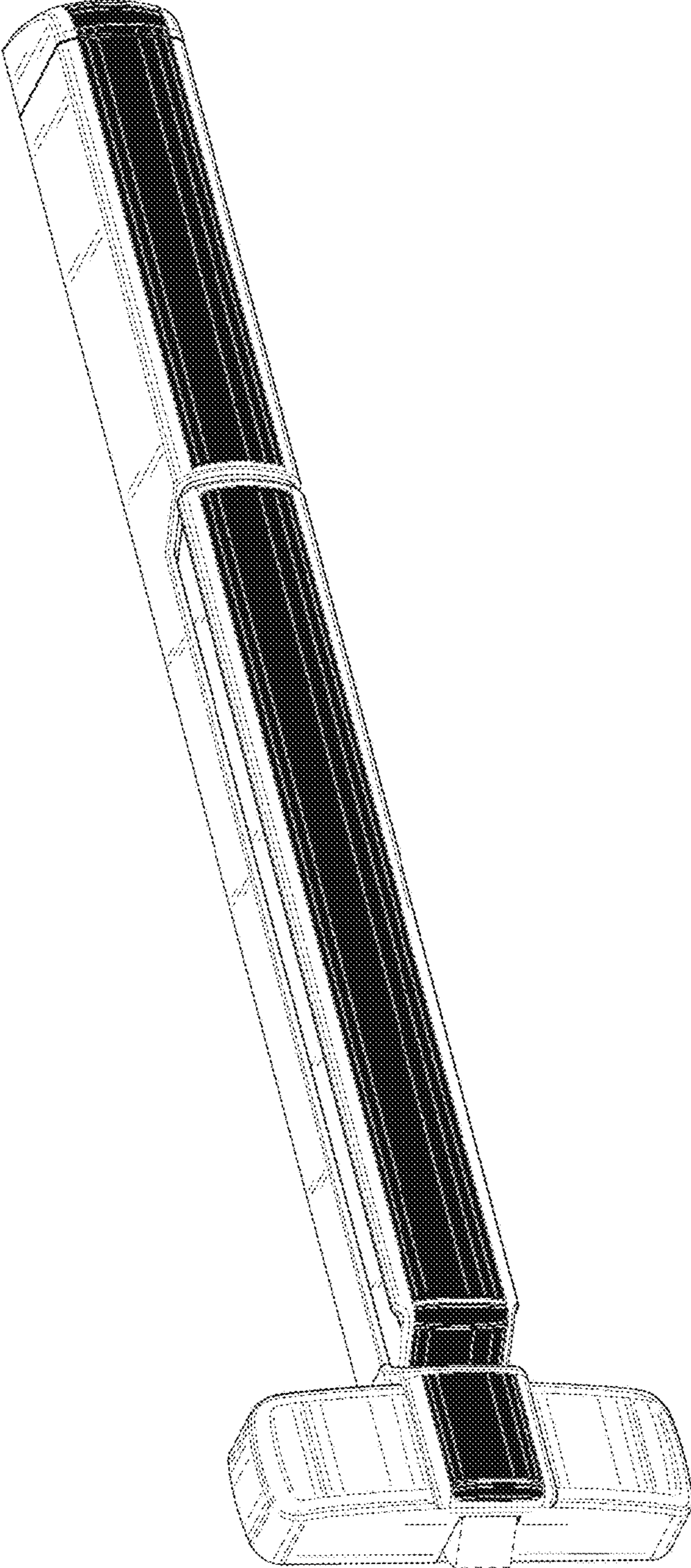


FIG. 9

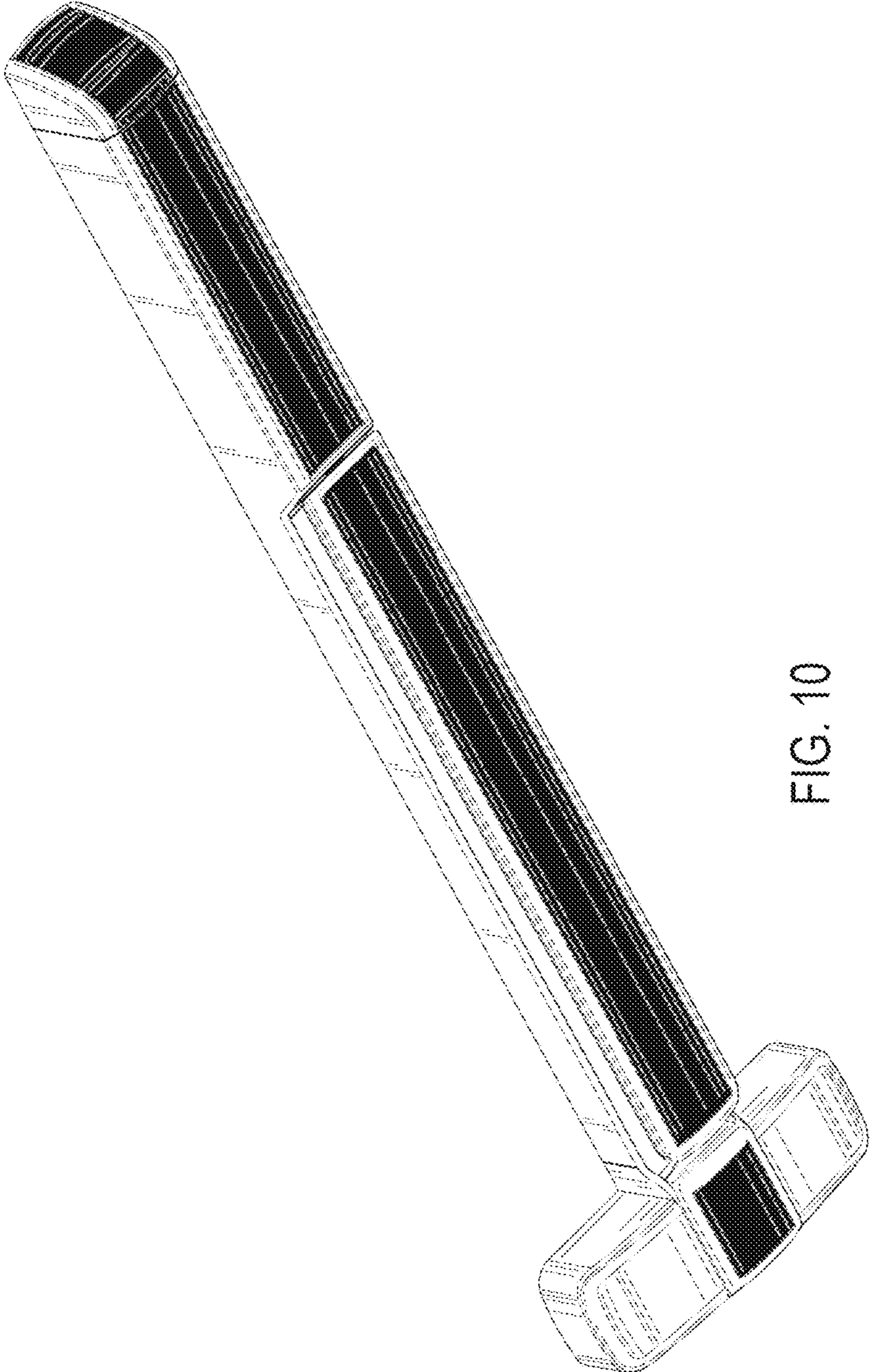


FIG. 10

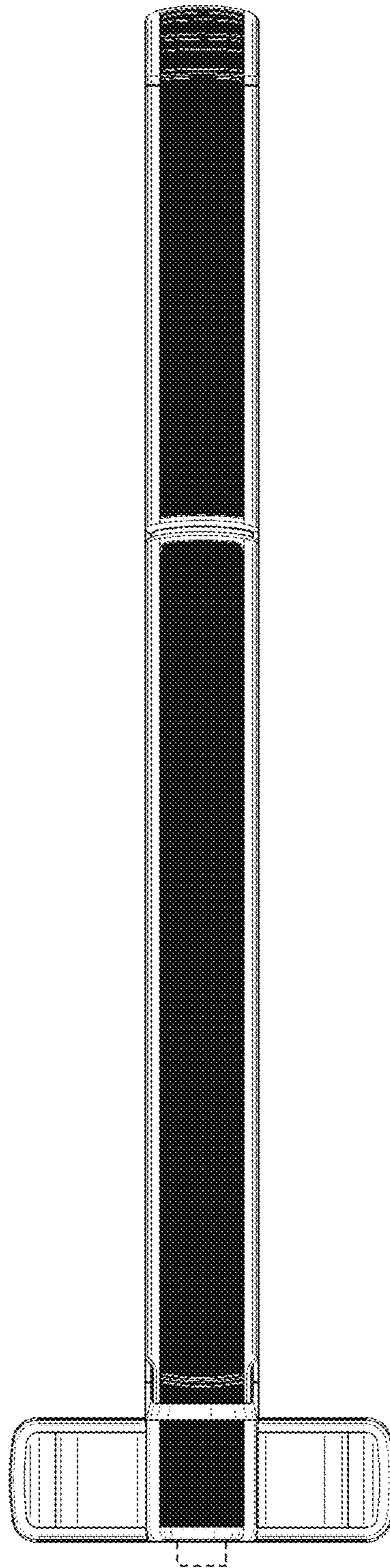


FIG. 11



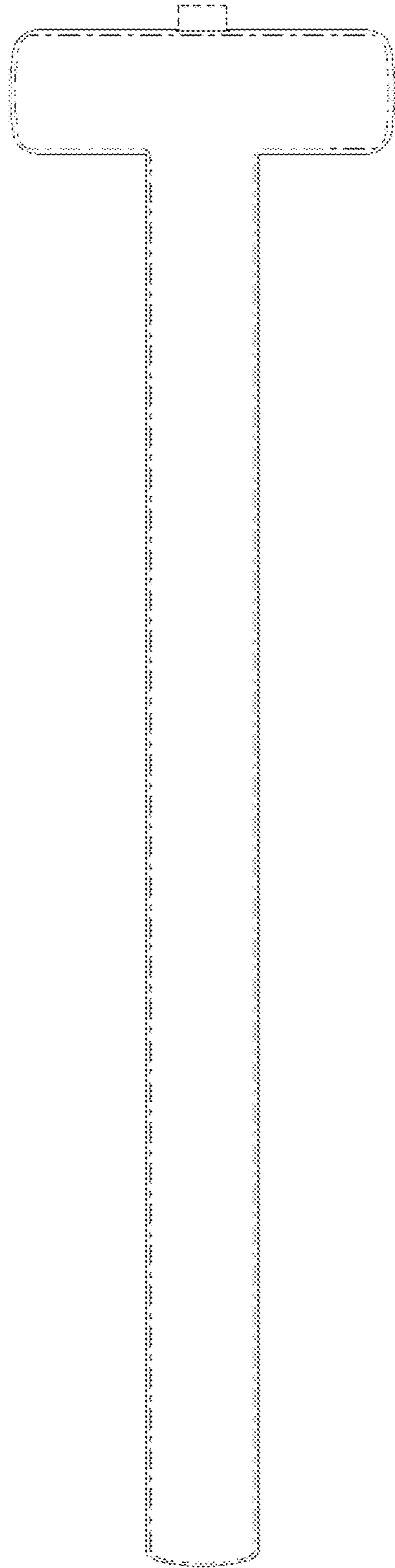


FIG. 12

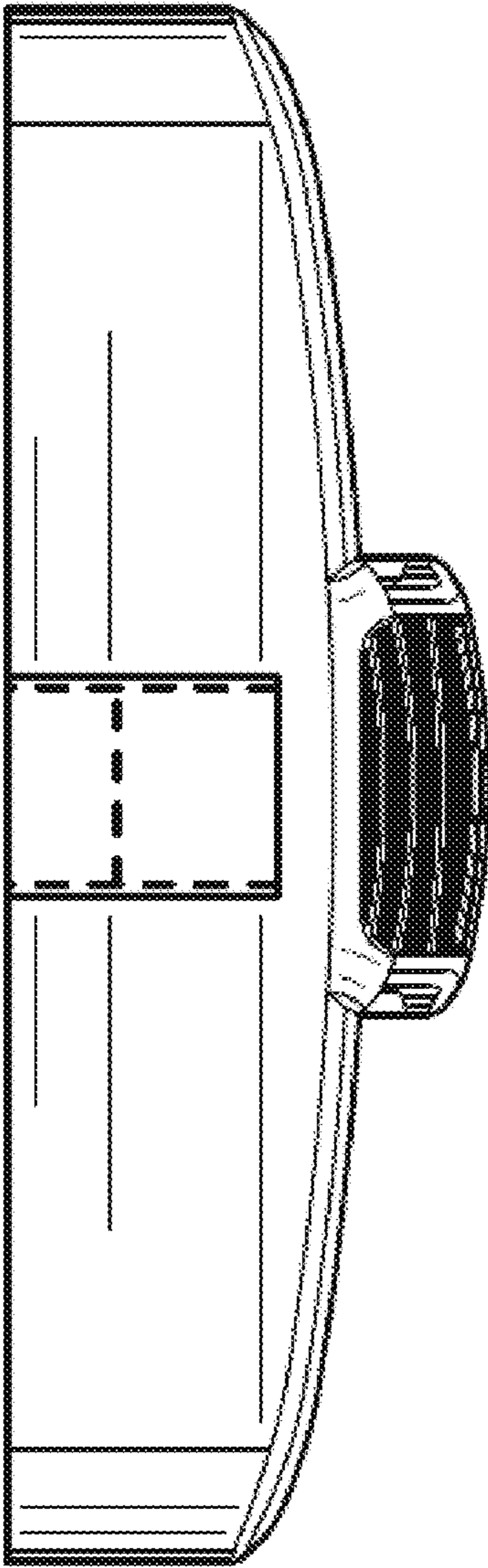


FIG. 13

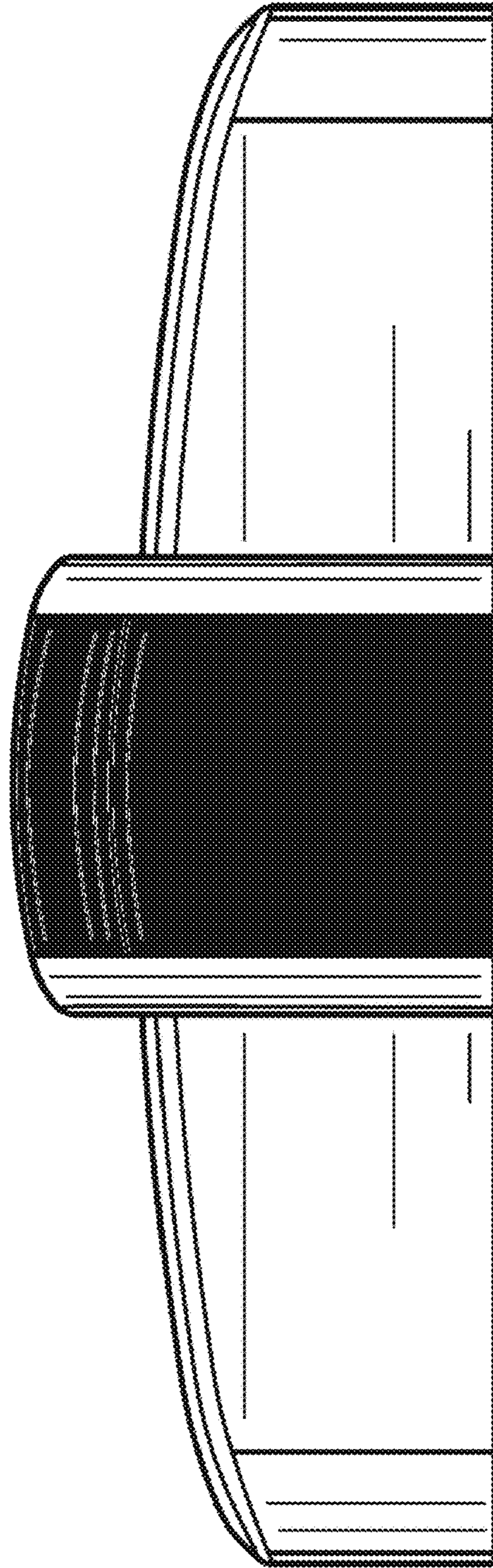


FIG. 14

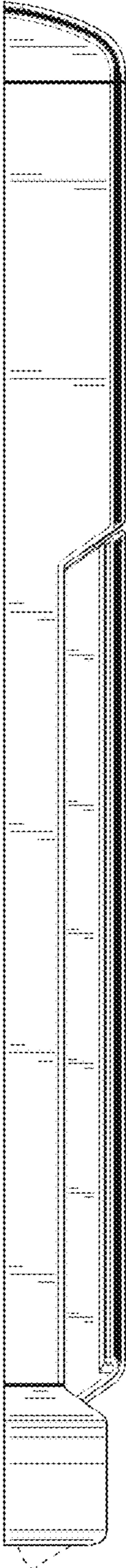


FIG. 15

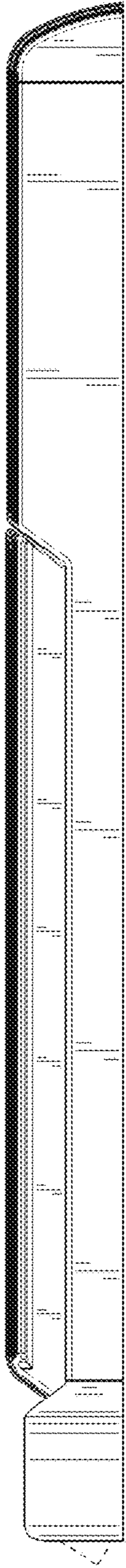


FIG. 16