



US00D867102S

(12) **United States Design Patent** (10) **Patent No.:** **US D867,102 S**  
**Wei** (45) **Date of Patent:** **\*\* Nov. 19, 2019**

(54) **DOOR HANDLE**

(56) **References Cited**

(71) Applicant: **Foshan Ideal Co., Ltd.**, Foshan (CN)

U.S. PATENT DOCUMENTS

(72) Inventor: **Wuxiang Wei**, Foshan (CN)

D65,214 S \* 7/1924 Auld ..... D8/308  
D80,519 S \* 2/1930 Graff ..... D8/308  
D83,158 S \* 1/1931 Graff ..... D8/308  
1,800,707 A \* 4/1931 Wartian ..... E05B 59/00  
292/166

(73) Assignee: **Foshan Ideal Co., Ltd.** (CN)

D114,012 S \* 3/1939 Clinker ..... D8/308  
2,190,192 A \* 2/1940 Raymond ..... E05B 1/0015  
16/417

(\*\*) Term: **15 Years**

D520,853 S \* 5/2006 Morris ..... D8/307  
D740,642 S \* 10/2015 Carlsson ..... D8/301  
D756,742 S \* 5/2016 Nishida Watson ..... D8/308  
D811,193 S \* 2/2018 Hsu ..... D8/308

(21) Appl. No.: **29/644,172**

(22) Filed: **Apr. 16, 2018**

(51) **LOC (12) Cl.** ..... **08-06**

(52) **U.S. Cl.**

USPC ..... **D8/308**

(58) **Field of Classification Search**

USPC ..... D8/300-302, 307-309, 310, 311,  
D8/DIG. 10; D23/250, 252

CPC ..... Y10T 16/44; Y10T 74/20612; Y10T  
74/20732; Y10T 16/458; Y10T 16/498;  
Y10T 16/469; Y10T 16/476; Y10T  
74/20744; Y10T 74/20864; Y10T  
16/4628; Y10T 74/20642; Y10T 16/473;  
Y10T 74/20762; Y10T 74/2042; Y10T  
74/20828; Y10T 16/459; Y10T 16/4713;  
Y10T 74/2014; Y10T 16/50; Y10T  
74/20438; Y10T 74/20582; Y10T  
74/20738; Y10T 16/48; Y10T 74/20618;  
Y10T 74/20684; Y10T 74/20624; Y10T  
74/20468; Y10T 16/61; Y10T 16/4719;  
Y10T 16/86; Y10S 16/30; Y10S 292/31;  
Y10S 292/53; Y10S 16/12; Y10S 292/23;  
Y10S 292/27; Y10S 292/30; Y10S  
292/63; E05B 85/16; E05B 1/0015; E05B  
77/06; E05B 79/06; E05B 85/18; E05B  
85/12; E05B 85/10; E05B 7/00; E05B  
1/0053; E05B 77/265

See application file for complete search history.

\* cited by examiner

*Primary Examiner* — Lauren R Calve

(74) *Attorney, Agent, or Firm* — Lerner, David,  
Littenberg, Krumholz & Mentlik, LLP

(57) **CLAIM**

The ornamental design for a door handle, as shown and described.

**DESCRIPTION**

FIG. 1 is a front view of a door handle showing my new design;

FIG. 2 is a rear view thereof;

FIG. 3 is a left side view thereof;

FIG. 4 is a right side view thereof;

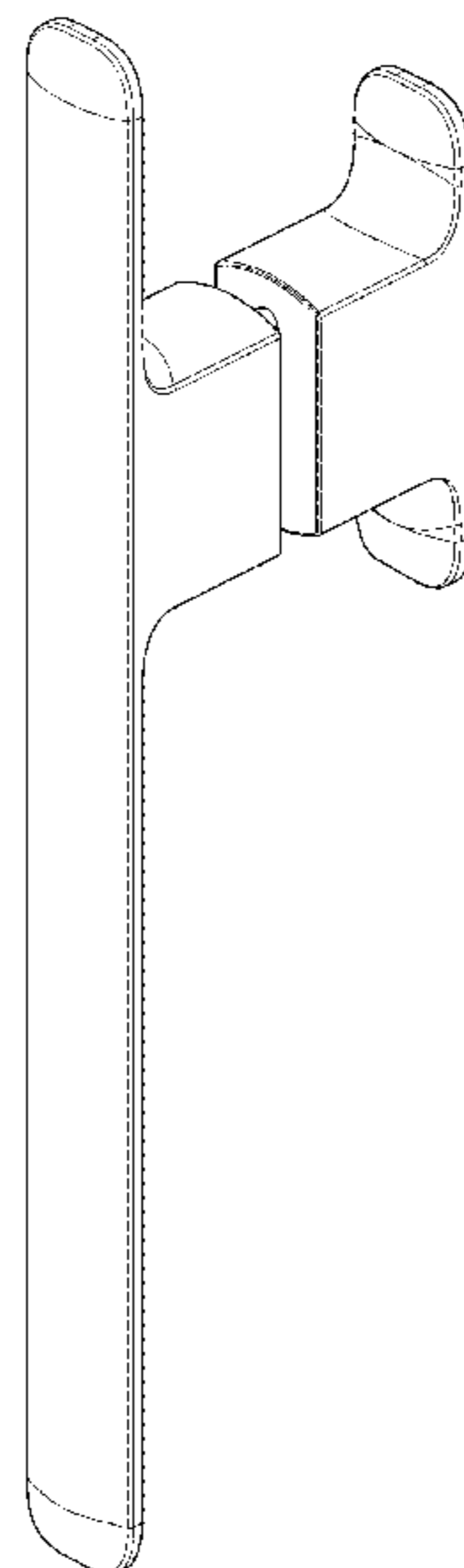
FIG. 5 is a top plan view thereof;

FIG. 6 is a bottom view thereof; and,

FIG. 7 is a perspective view thereof.

The broken lines shown represent subject matter that forms no part of the claimed design.

**1 Claim, 7 Drawing Sheets**



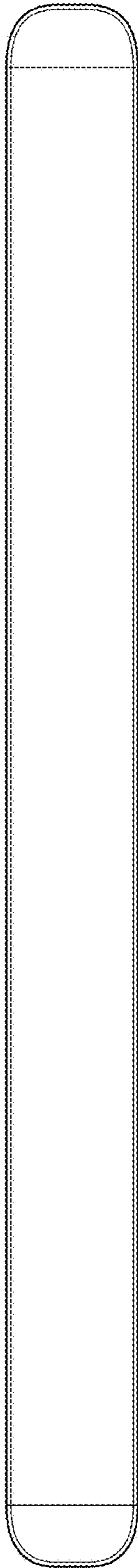


FIG. 1

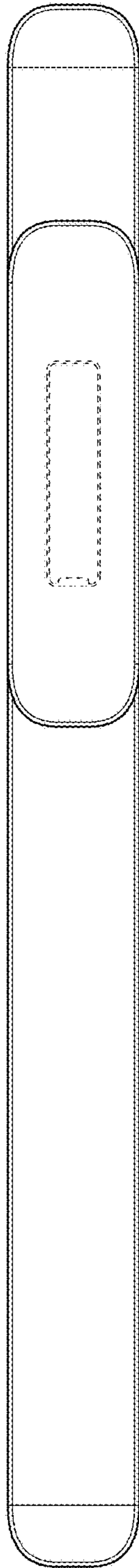


FIG. 2

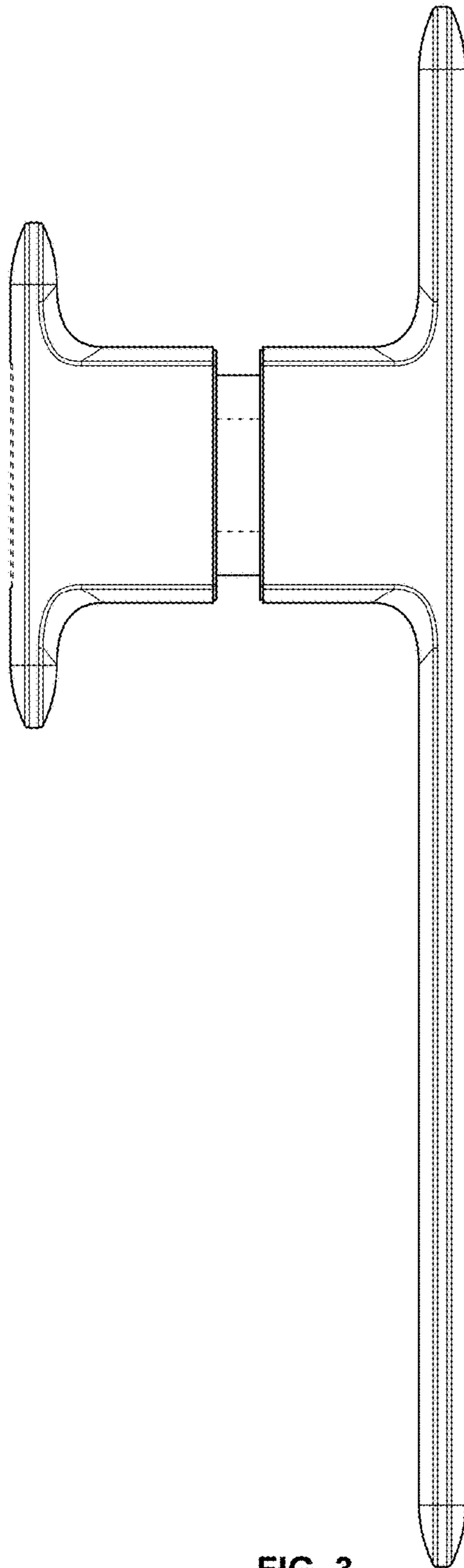


FIG. 3

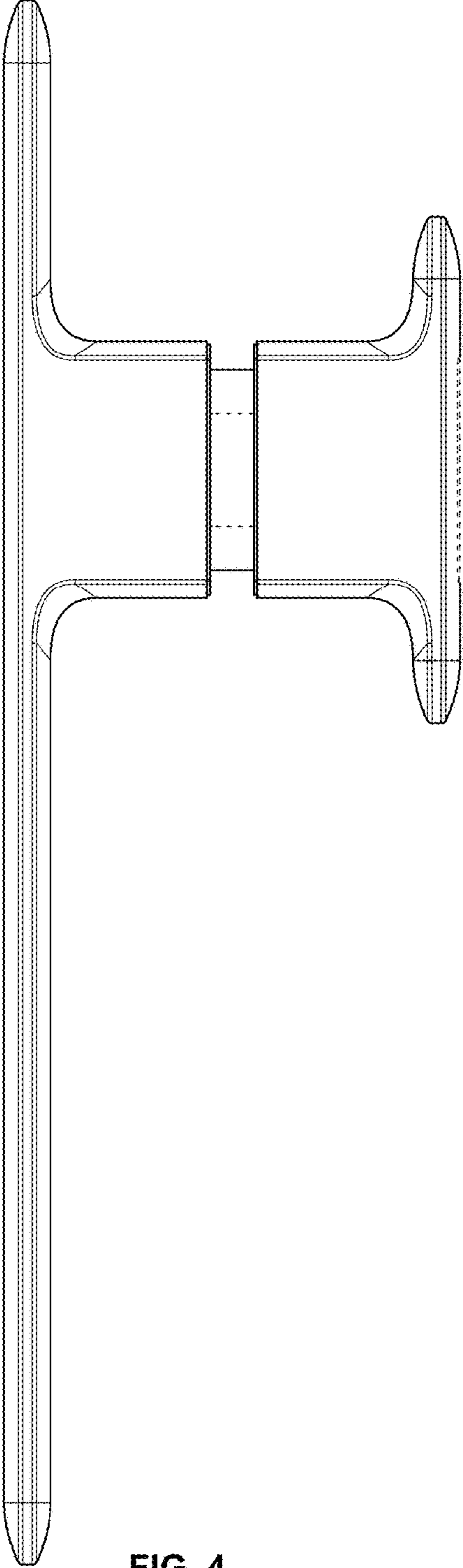


FIG. 4

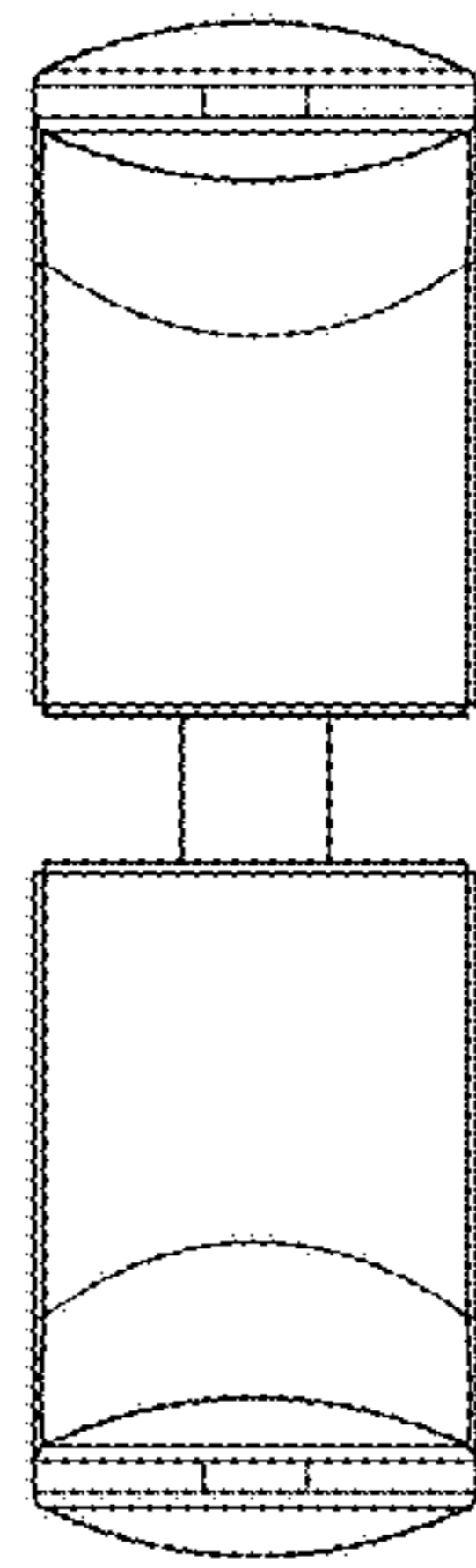


FIG. 5

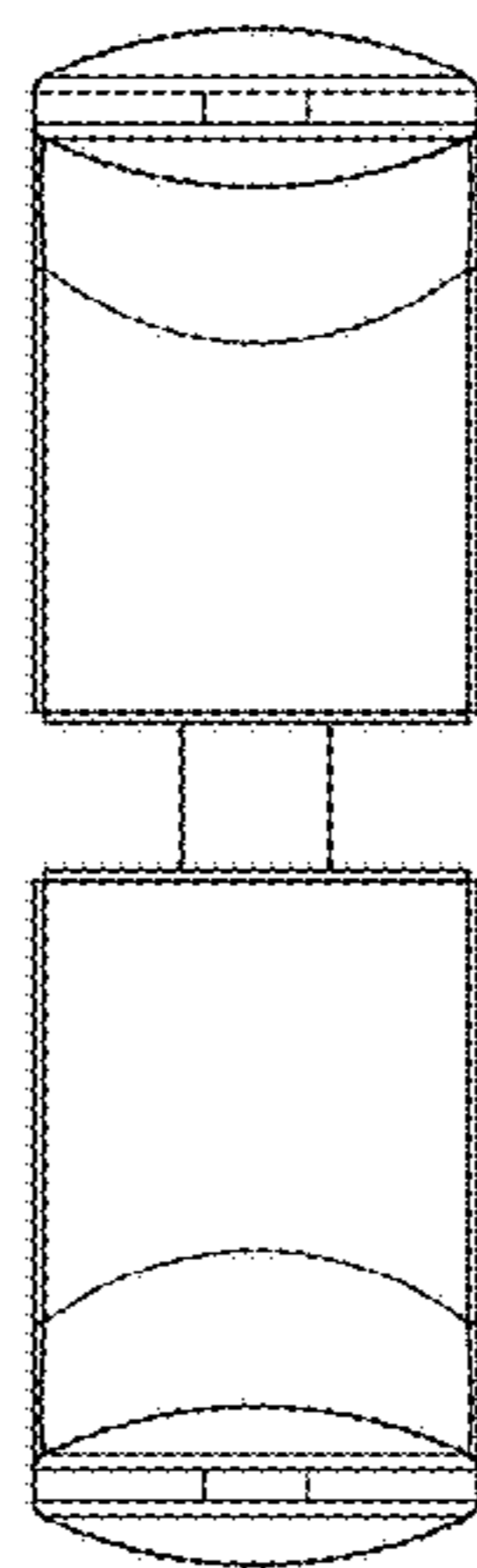


FIG. 6

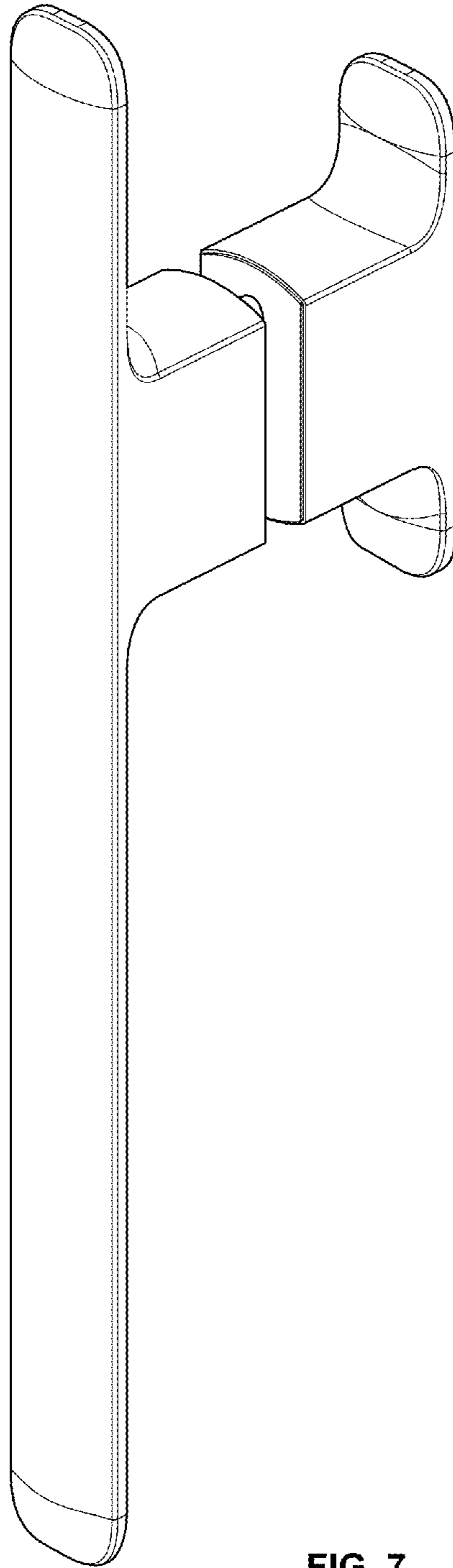


FIG. 7