



US00D867101S

(12) **United States Design Patent** (10) **Patent No.:** **US D867,101 S**
Minale et al. (45) **Date of Patent:** **** Nov. 19, 2019**

- (54) **FURNITURE HANDLE** 2,871,044 A * 1/1959 Peterson F16B 7/1436
403/352
- (71) Applicant: **Buster and Punch Limited**, Stamford
(GB) D238,549 S * 1/1976 Fischer D8/307
4,347,758 A 9/1982 Geil et al.
4,373,405 A * 2/1983 Geil G05G 1/08
188/67
- (72) Inventors: **Massimo Minale**, London (GB); **Iain
Dulley**, Winchester (GB) D284,259 S * 6/1986 Oury D8/107
4,955,914 A 9/1990 Caniglia et al.
D398,214 S * 9/1998 Yui D8/312
D405,342 S * 2/1999 Thompson D8/303
D405,743 S 2/1999 Hussaini
(Continued)
- (**) Term: **15 Years**

- (21) Appl. No.: **29/644,800**
- (22) Filed: **Apr. 20, 2018**

Related U.S. Application Data

- (62) Division of application No. 29/578,613, filed on Sep.
22, 2016, now Pat. No. Des. 842,073.
- (51) **LOC (12) Cl.** **08-06**
- (52) **U.S. Cl.**
USPC **D8/307**
- (58) **Field of Classification Search**
USPC D8/300-301, 303, 307, 310-312,
D8/314-317; 248/207; D15/89, 142;
D23/250; 292/336.3; 16/412-415;
211/123-124
CPC A47K 3/003; A47K 17/022; A47K 17/024;
E05B 1/0053; E05B 1/0015; Y10T
16/498; Y10T 16/458; Y10T 16/462
See application file for complete search history.

(56) **References Cited**

U.S. PATENT DOCUMENTS

- D103,024 S * 2/1937 Loewy D8/316
- D110,213 S * 6/1938 Hazenberg D8/314
- D131,090 S * 1/1942 Schlage D8/312
- 2,546,157 A * 3/1951 Hume E04H 15/60
16/429

OTHER PUBLICATIONS

Cabinet Knobs, Ottostumm/Piet Boon, static1.squarespace.com,
published by Ottostumm on Nov. 2015 © 2015 Ottostumm, online,
site visited Dec. 28, 2018. Available from Internet, URL: <https://static1.squarespace.com/static/530c9cdae4b05d0919018fa6/t/56e806fbb09f95498f307713/...> (Year: 2015).*

(Continued)

Primary Examiner — Shannon W Morgan
Assistant Examiner — Altaira J Swangin

(74) *Attorney, Agent, or Firm* — Dascenzo Intellectual
Property Law, P.C.; David S. D'Ascenzo

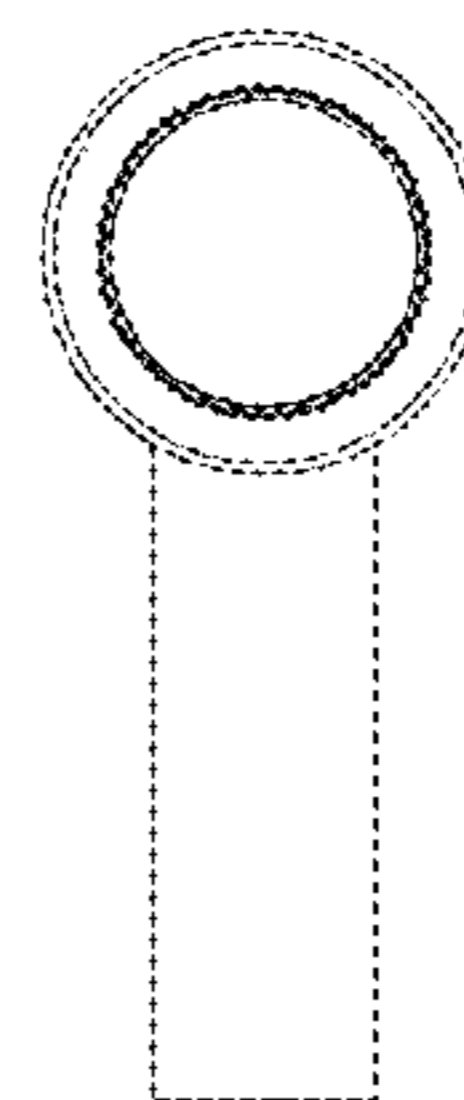
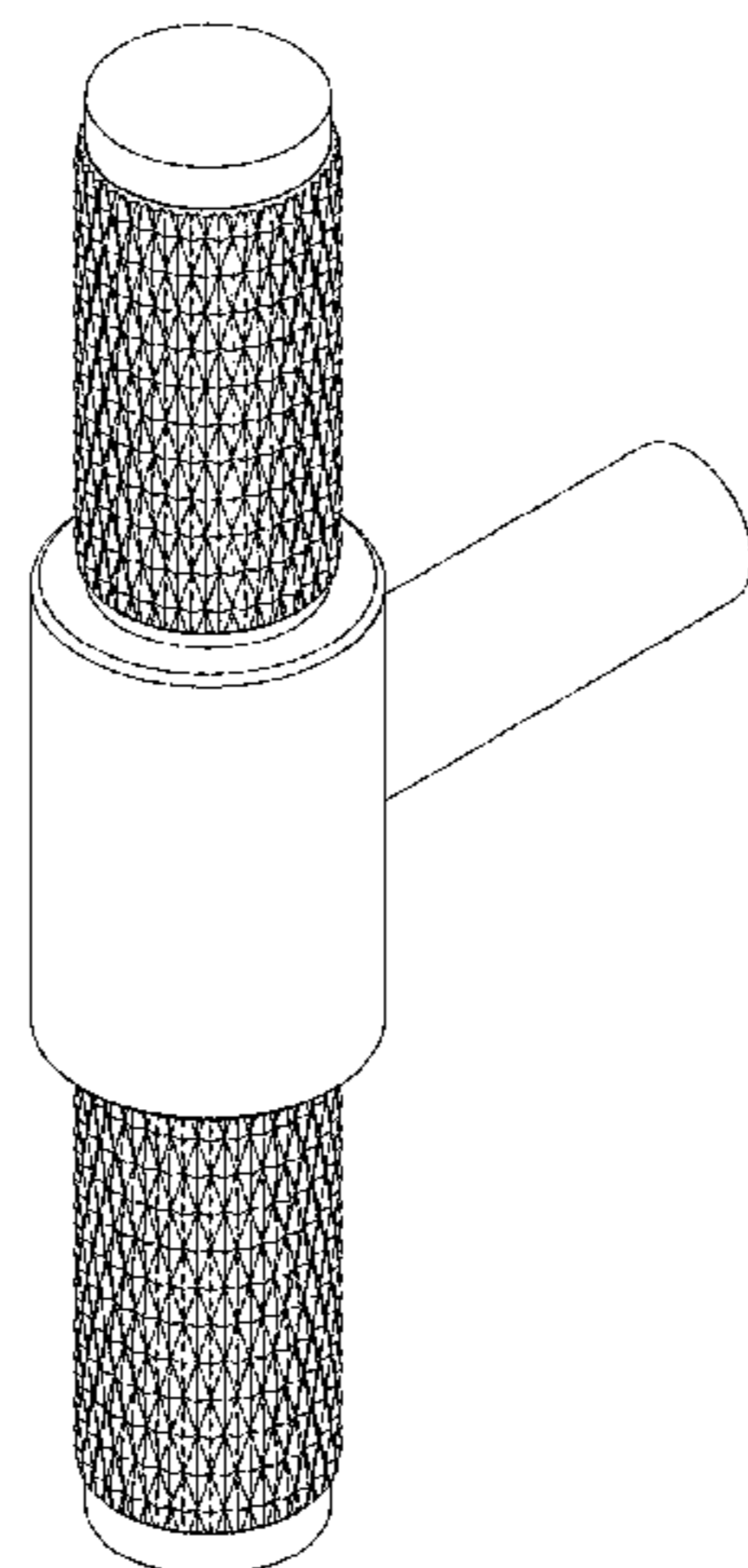
(57) **CLAIM**

The ornamental design for a furniture handle, as shown and
described.

DESCRIPTION

FIG. 1 is an isometric view of a furniture handle showing the
design.
FIG. 2 is an end elevation view of the design of FIG. 1, the
opposite end being a mirror image thereto.
FIG. 3 is a side elevation view of the design of FIG. 1, the
opposite side being a mirror image thereto; and,
FIG. 4 is a top plan view of the design of FIG. 1.
The portions of the bottom of the furniture handle, not seen
in the drawings, form no part of the claimed design.

1 Claim, 4 Drawing Sheets



(56)

References Cited

U.S. PATENT DOCUMENTS

D445,735 S 7/2001 Sheu
 D471,074 S * 3/2003 Fields D8/315
 D471,075 S 3/2003 Fields
 D475,270 S * 6/2003 Loyd D8/312
 D504,804 S * 5/2005 Chen D8/316
 D505,139 S 5/2005 Jackovin
 D513,237 S 12/2005 Langner et al.
 D520,849 S * 5/2006 Mentasti D8/303
 7,044,020 B2 * 5/2006 Rosenthal B62K 21/26
 16/421
 D549,383 S * 8/2007 Duggan D26/85
 D563,007 S 2/2008 Opolka
 D564,336 S 3/2008 McConnell
 D564,854 S 3/2008 Thompson
 D596,476 S * 7/2009 Welch D8/303
 D606,789 S * 12/2009 Krumpe D6/523
 D637,884 S * 5/2011 Trotta D8/303
 D648,204 S * 11/2011 Parvey D8/303
 D680,407 S * 4/2013 Ramsland D8/307
 D680,848 S * 4/2013 Jou D8/305
 D695,587 S * 12/2013 Pallone D8/307
 D697,661 S * 1/2014 Sabernig D26/80
 D698,219 S * 1/2014 Lee D8/107
 D740,099 S * 10/2015 Chang D8/316
 D758,825 S * 6/2016 Nesbitt D8/310
 D768,626 S * 10/2016 Mikelson D14/300
 D776,628 S 1/2017 Minale et al.
 D777,008 S * 1/2017 Nesbitt D8/310
 D787,296 S * 5/2017 Zimmer D8/307
 9,677,705 B2 * 6/2017 Cen A47K 10/10
 9,683,771 B2 6/2017 Anselmino et al.
 9,726,422 B2 8/2017 Tunzi
 D798,396 S 9/2017 Agate et al.
 9,765,527 B2 9/2017 Hart et al.
 D801,289 S * 10/2017 Minale D13/169
 D809,169 S 1/2018 Grandadam
 D813,005 S * 3/2018 Dovellos D8/303

D824,076 S * 7/2018 Sonneman D26/86
 D829,076 S * 9/2018 Dulley D8/310
 D829,527 S * 10/2018 Kang D8/311
 D831,879 S * 10/2018 Minale D26/113
 D833,056 S * 11/2018 Sonneman D26/86
 D834,394 S * 11/2018 Kang D8/311
 D836,820 S * 12/2018 Sonneman D26/86
 D838,402 S * 1/2019 Sonneman D26/86
 D838,572 S * 1/2019 Su D8/301
 D842,073 S * 3/2019 Minale D8/315
 2005/0211696 A1 9/2005 Adamski
 2006/0086127 A1 4/2006 Anselmino et al.
 2011/0314860 A1 * 12/2011 Tafoya F25C 5/182
 62/344
 2013/0092646 A1 * 4/2013 Wang A47H 1/022
 211/123
 2014/0096761 A1 4/2014 Brantley et al.
 2014/0210331 A1 7/2014 Tunzi
 2017/0365114 A1 * 12/2017 Bettencourt E05B 47/0043

OTHER PUBLICATIONS

T-Bar Handle with specifications, Buster and Punch, busterandpunch.com, published by Buster and Punch, date not listed © 2018 Buster and Punch, online, site visited Dec. 28, 2018. Available from Internet, URL: <https://www.busterandpunch.com/hardware/t-bar/t-bar-nude-brass> (Year: 2018).*

Knurled/Textured Cabinet Handle, brand not listed, aliexpress.com, published by Enmoo HW Store, date not listed © 2010-2019 AliExpress.com, online, site visited Jan. 6, 2019. Available from Internet, URL: <https://www.aliexpress.com/item/Knurled-Textured-cabinet-handles-Gold-Kitchen> . . . (Year: 2018).*

Pull Bar, Buster + Punch, posted at busterandpunch.com, date and author not listed © 2018 Buster + Punch, online, site visted Apr. 16, 2018. Available from Internet, URL: <https://www.busterandpunch.com/hardware/pull-bar/pull-bar-black> (Year: 2018).

* cited by examiner

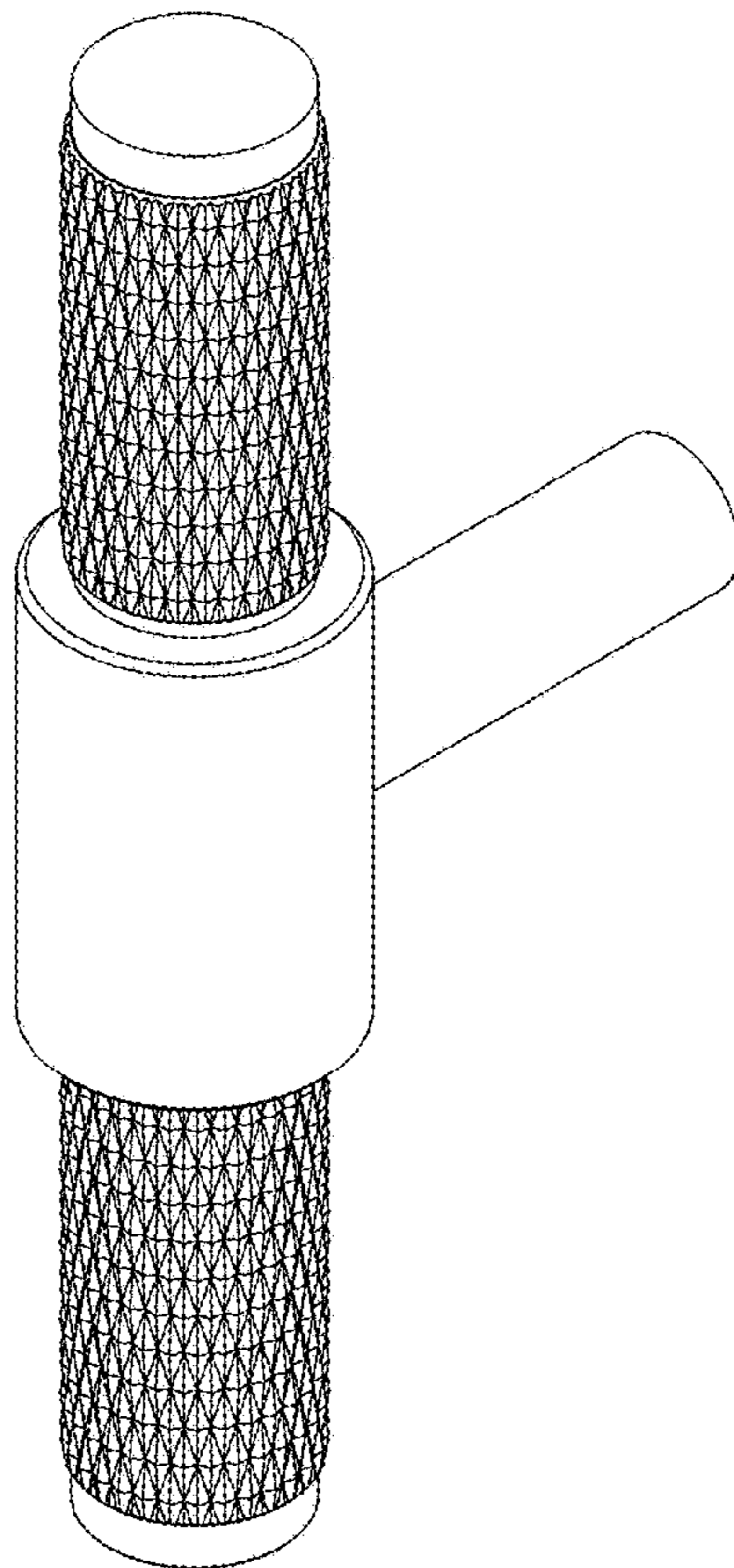


Fig. 1

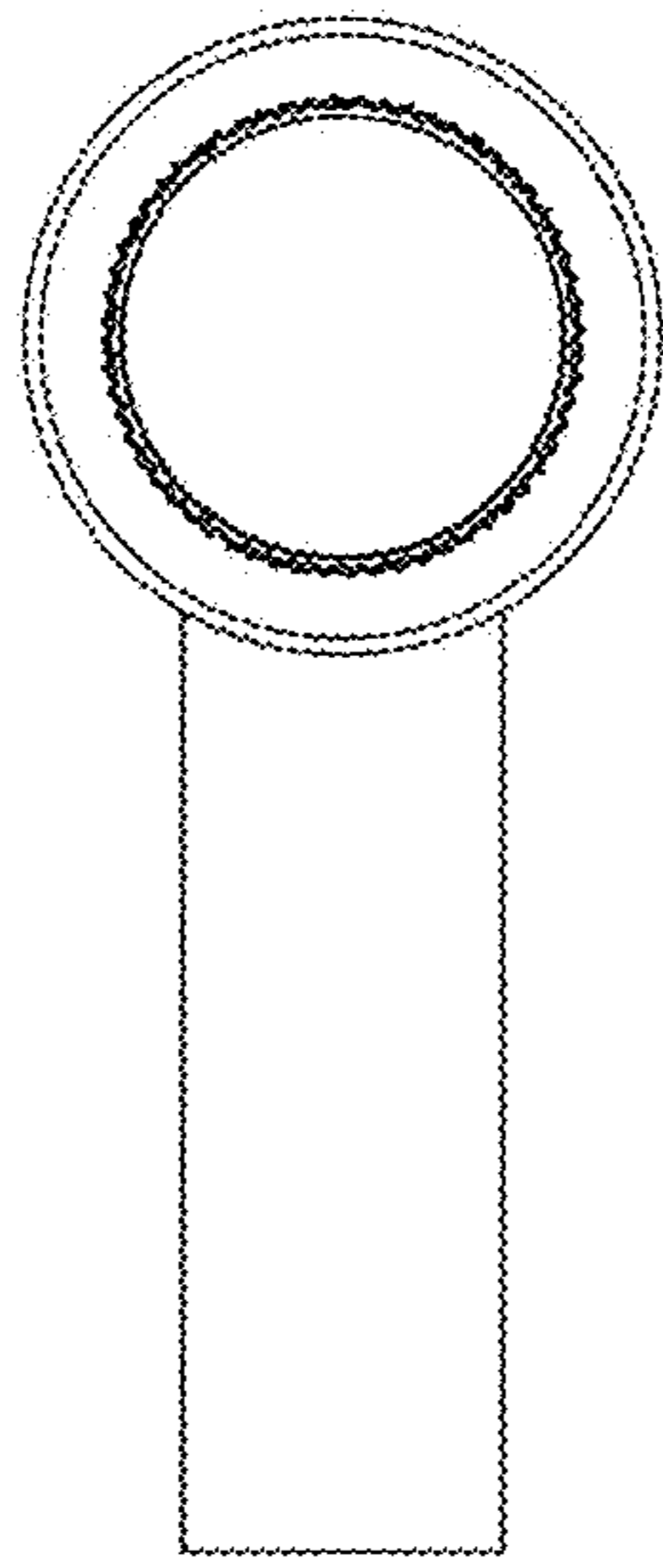


Fig. 2

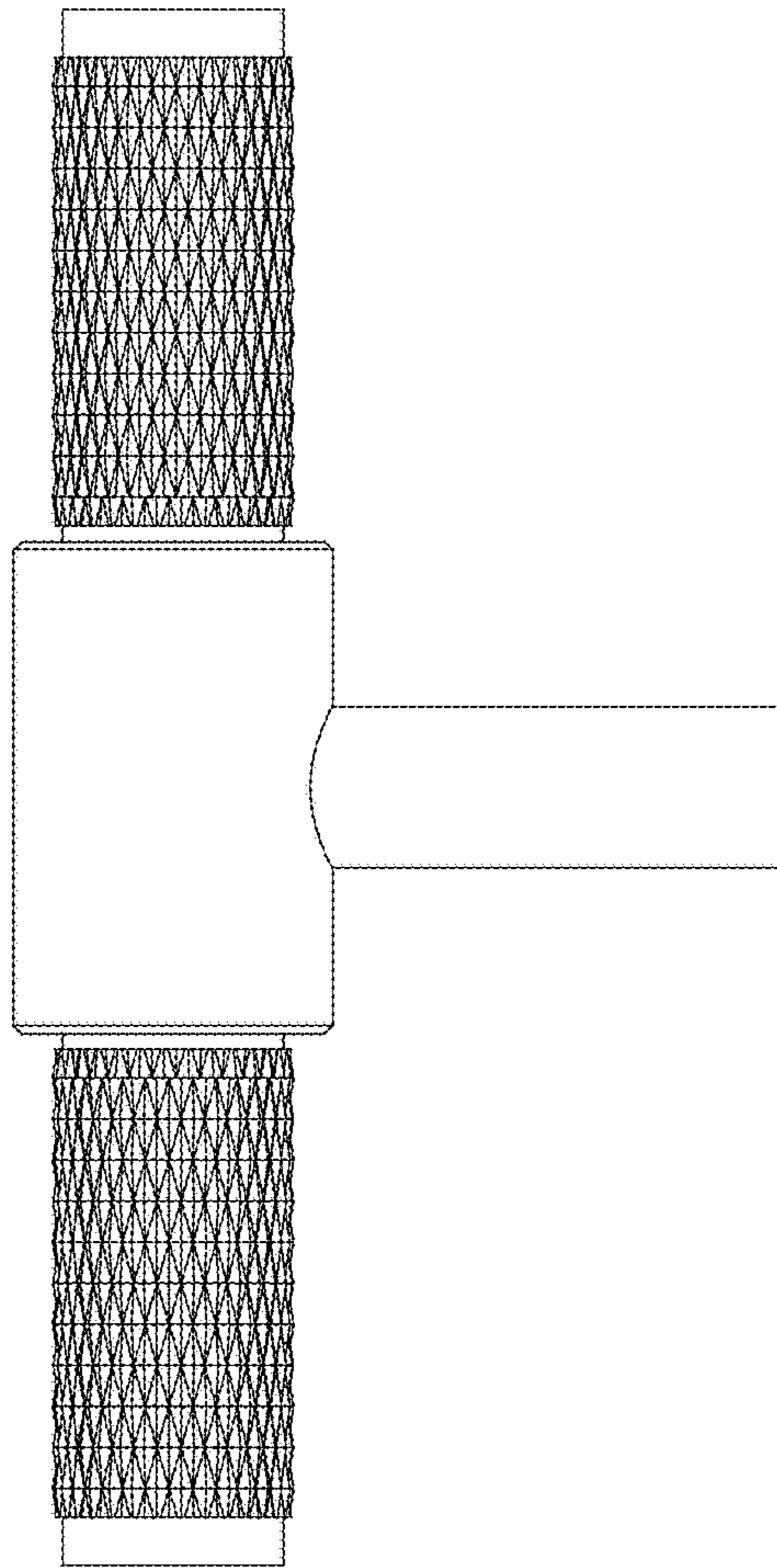


Fig. 3

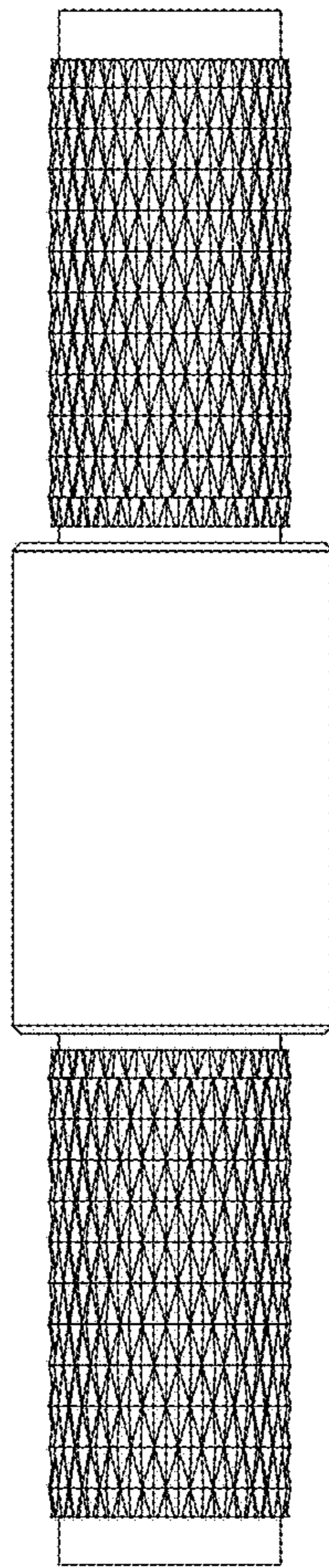


Fig. 4