



US00D867100S

(12) **United States Design Patent** (10) **Patent No.:** **US D867,100 S**  
**Papafagos** (45) **Date of Patent:** **\*\* Nov. 19, 2019**

(54) **FLEX TAPER GRIP**

(56) **References Cited**

(71) Applicant: **Tectran Mfg. Inc.**, Cheektowaga, NY (US)

U.S. PATENT DOCUMENTS

(72) Inventor: **James C. Papafagos**, North Java, NY (US)

D28,992 S \* 7/1898 Eldon ..... D8/303  
4,091,497 A \* 5/1978 Bade ..... B25G 1/10  
16/430

(73) Assignee: **Tectran Mfg. Inc.**, Cheektowaga, NY (US)

D338,825 S \* 8/1993 Brainard ..... D8/303  
D345,685 S \* 4/1994 Lin ..... D8/303  
D435,773 S \* 1/2001 Lin ..... D8/107  
D440,605 S \* 4/2001 Izushima ..... D19/203  
6,561,058 B1 \* 5/2003 Steinke ..... B62K 21/26  
74/551.8

(\*\*) Term: **15 Years**

D532,275 S \* 11/2006 Lin ..... D8/107  
D621,680 S \* 8/2010 Hsu ..... D8/303  
D622,327 S \* 8/2010 Roos ..... D21/398

(21) Appl. No.: **29/677,563**

(Continued)

(22) Filed: **Jan. 22, 2019**

*Primary Examiner* — Lauren R Calve

(74) *Attorney, Agent, or Firm* — John W. Powell; Verrill

**Related U.S. Application Data**

(57) **CLAIM**

I claim the ornament design for a flex taper grip, as shown and described.

(62) Division of application No. 29/552,838, filed on Jan. 26, 2016.

**DESCRIPTION**

(51) **LOC (12) Cl.** ..... **08-06**

FIG. 1 is a perspective view of a flex taper grip showing the new design.

(52) **U.S. Cl.**

FIG. 2 is a right side elevation view thereof, the left side elevation view being a mirror image.

USPC ..... **D8/303**; D8/107

FIG. 3 is a right side sectional view thereof taken along lines 3-3 shown in FIG. 2.

(58) **Field of Classification Search**

USPC ..... D8/107, 300, 303, 307, 310, 321, 322;

D23/250-254; D7/393, 394, 395, 396

CPC ..... Y10T 16/469; Y10T 16/44; Y10T 16/466;

Y10T 16/4713; Y10T 16/459; Y10T

74/20828; Y10T 29/49826; Y10T

74/20732; Y10T 16/4559; Y10T

74/20864; Y10T 74/20822; A46B 5/026;

A46B 2200/302; A46B 5/021; A47L

13/022; A47L 1/06; A47L 13/20; A47L

11/4075; B25G 1/10; B25G 1/00; B25G

3/04; B25G 3/00; Y10S 16/12; Y10S

16/19; Y10S 16/41; Y10S 16/90; Y10S

16/40

FIG. 4 is a left end view of FIG. 1.

FIG. 5 is a right end view thereof.

FIG. 6 is a perspective view of an alternative embodiment of a flex taper grip according to the new design.

FIG. 7 is a right side elevation view thereof, the left side elevation view being a mirror image.

FIG. 8 is a right side sectional view thereof taken along lines 8-8 shown in FIG. 7.

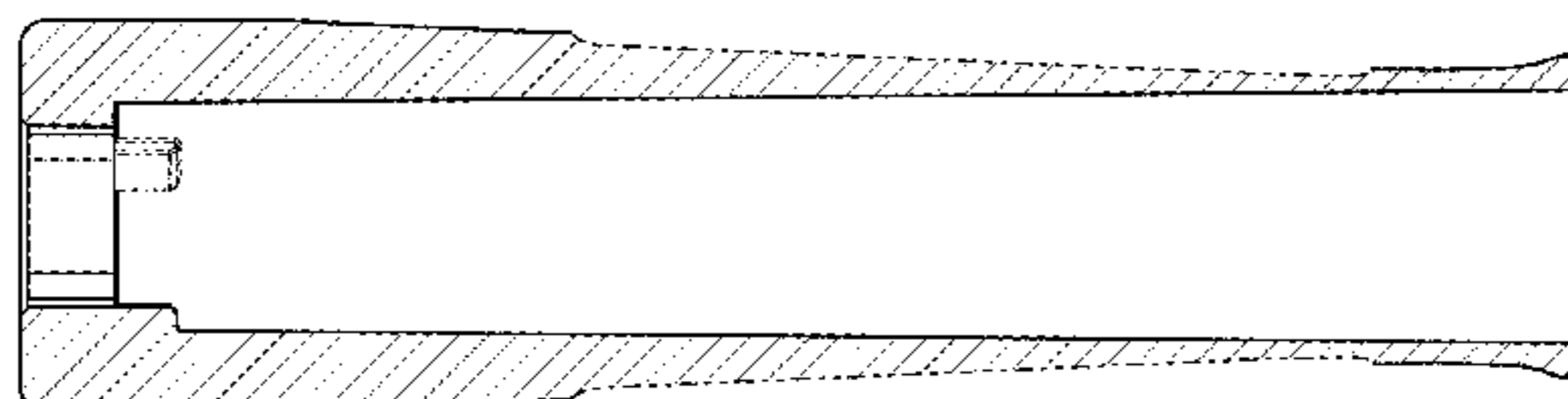
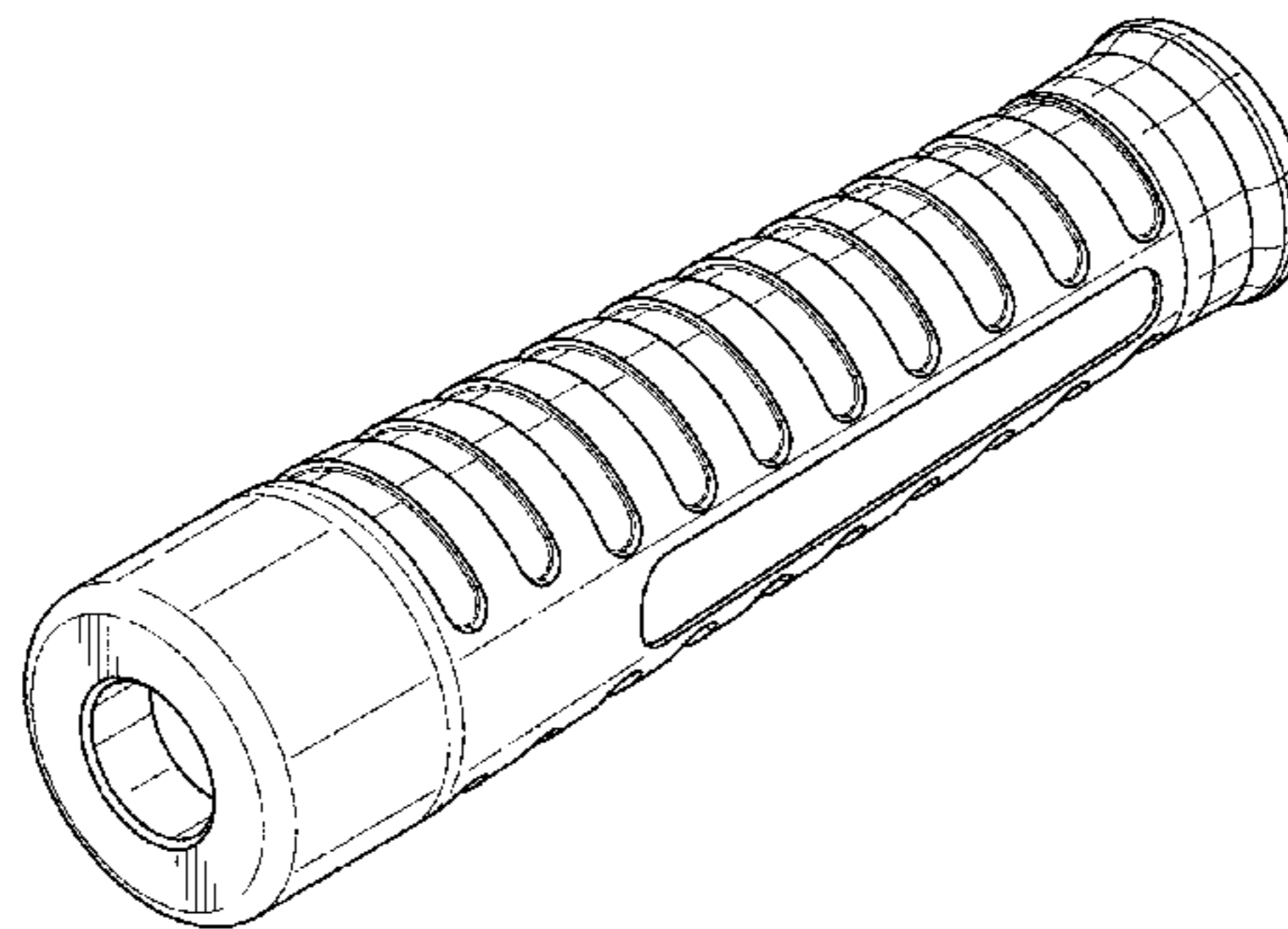
FIG. 9 is a left end view of FIG. 6; and,

FIG. 10 is a right end view thereof.

The broken lines shown in the drawings depict portions of the flex taper grip that form no part of the claimed design.

See application file for complete search history.

**1 Claim, 6 Drawing Sheets**



(56)

**References Cited**

U.S. PATENT DOCUMENTS

D634,087 S \* 3/2011 Sgroi ..... D23/259  
D647,382 S \* 10/2011 Flattinger ..... D8/107  
D682,067 S \* 5/2013 Tillet ..... D8/107  
D707,334 S \* 6/2014 Hernandez ..... D23/266  
D719,808 S \* 12/2014 Musser ..... D8/107  
D773,276 S \* 12/2016 Ou ..... D8/107  
D807,147 S \* 1/2018 Renault ..... D8/303  
D816,217 S \* 4/2018 Naughton ..... D24/130  
D823,091 S \* 7/2018 Burchard ..... D8/303  
D830,151 S \* 10/2018 Weinberg ..... D8/107  
2004/0016476 A1 \* 1/2004 Lamers ..... B43L 23/02  
144/28.6  
2009/0139380 A1 \* 6/2009 Pyatt ..... B25G 1/102  
81/489  
2010/0095812 A1 \* 4/2010 Lai ..... B25B 23/0042  
81/438  
2014/0338245 A1 \* 11/2014 Lanasa ..... F41C 23/16  
42/72  
2017/0211735 A1 \* 7/2017 Papafagos ..... F16L 21/08  
2017/0297192 A1 \* 10/2017 Ou ..... B25G 3/02

\* cited by examiner

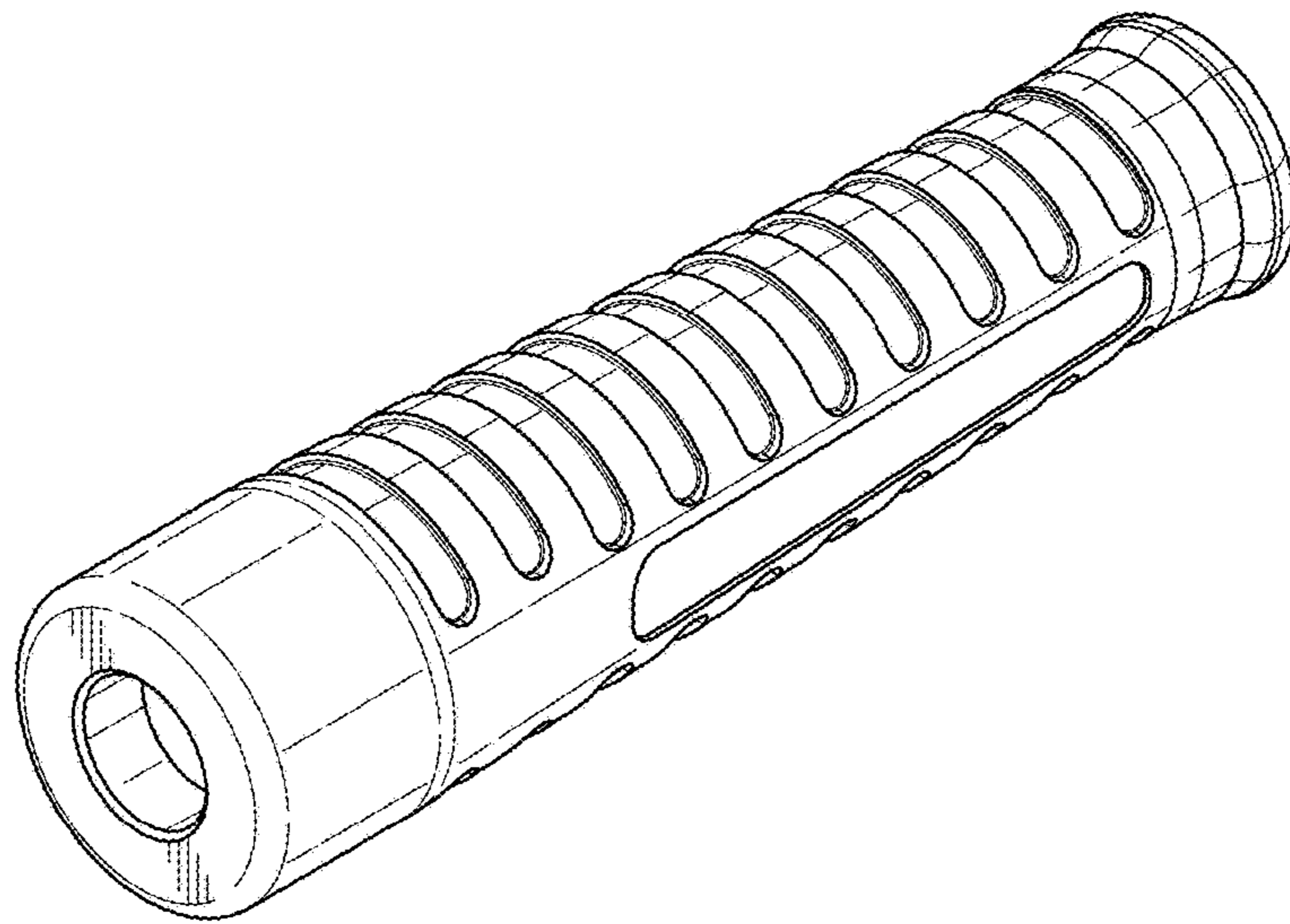


FIG. 1

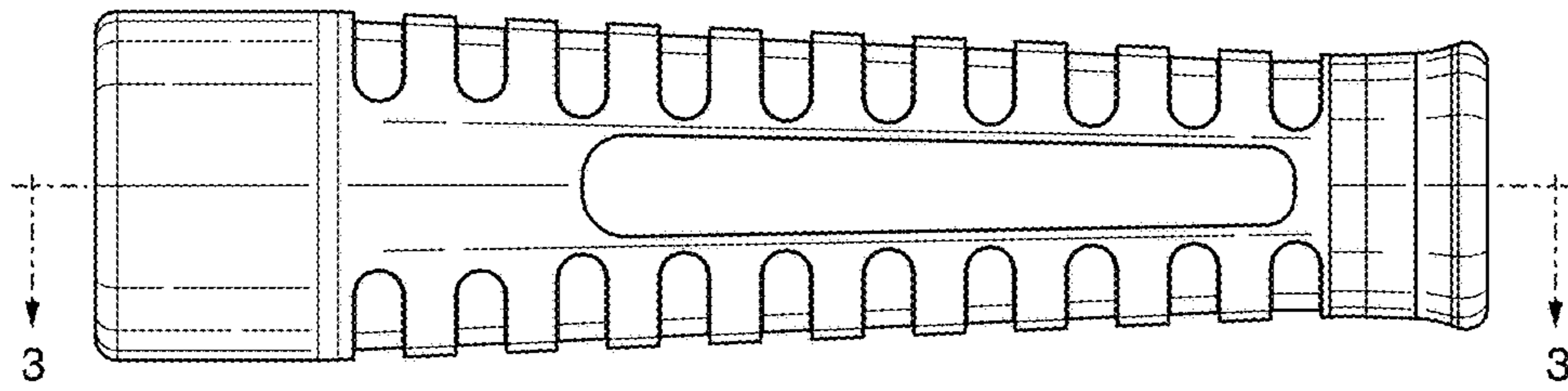


FIG. 2

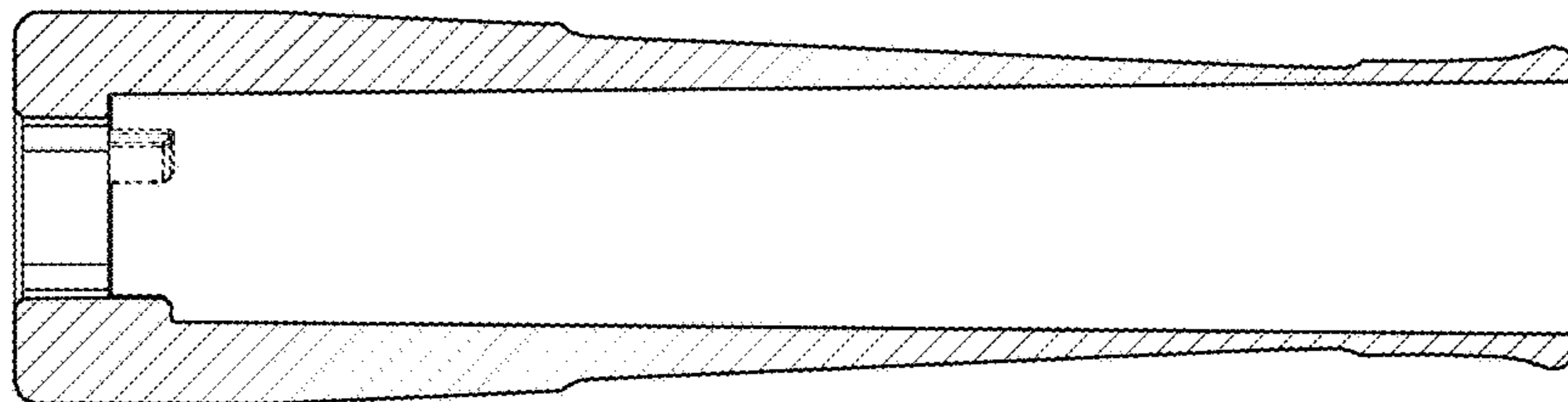


FIG. 3

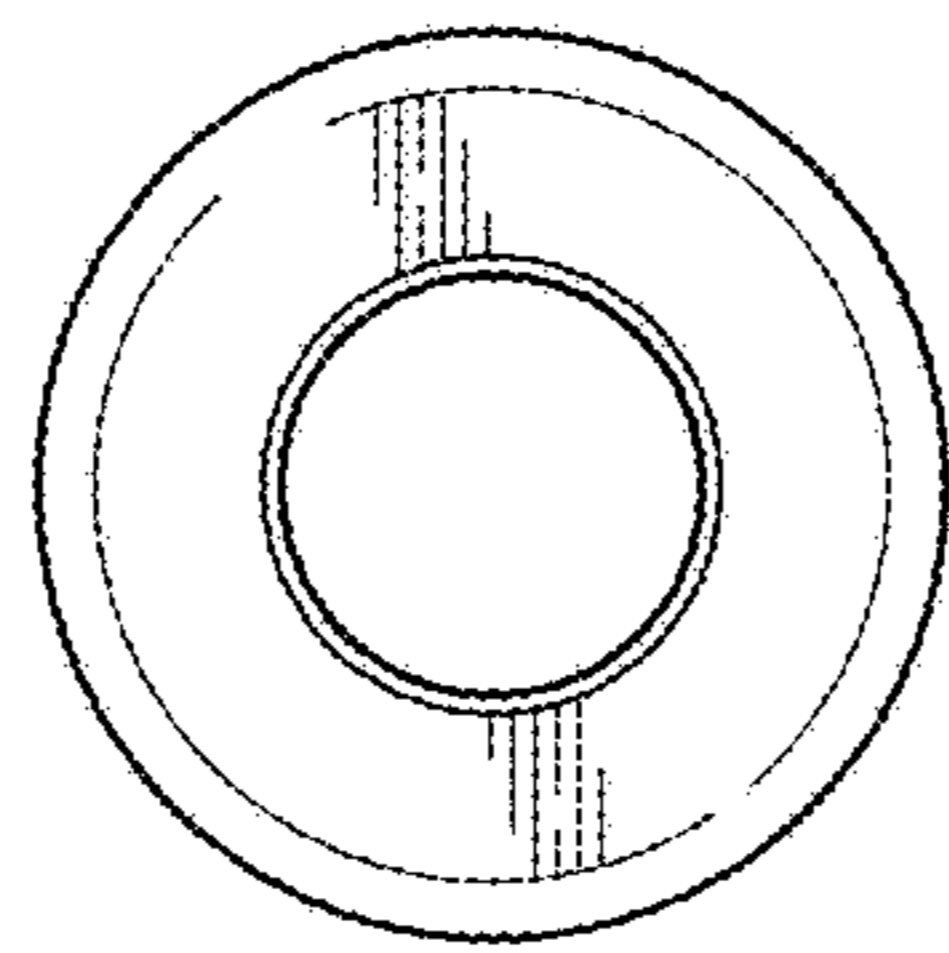


FIG. 4

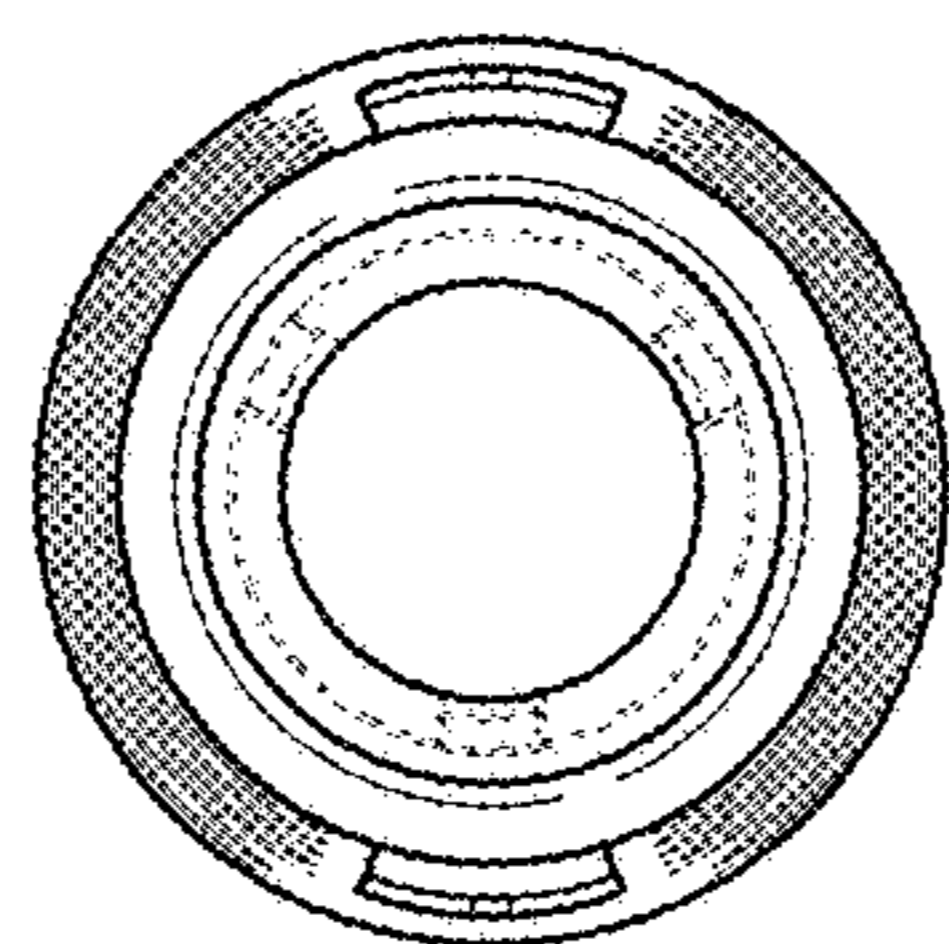


FIG. 5

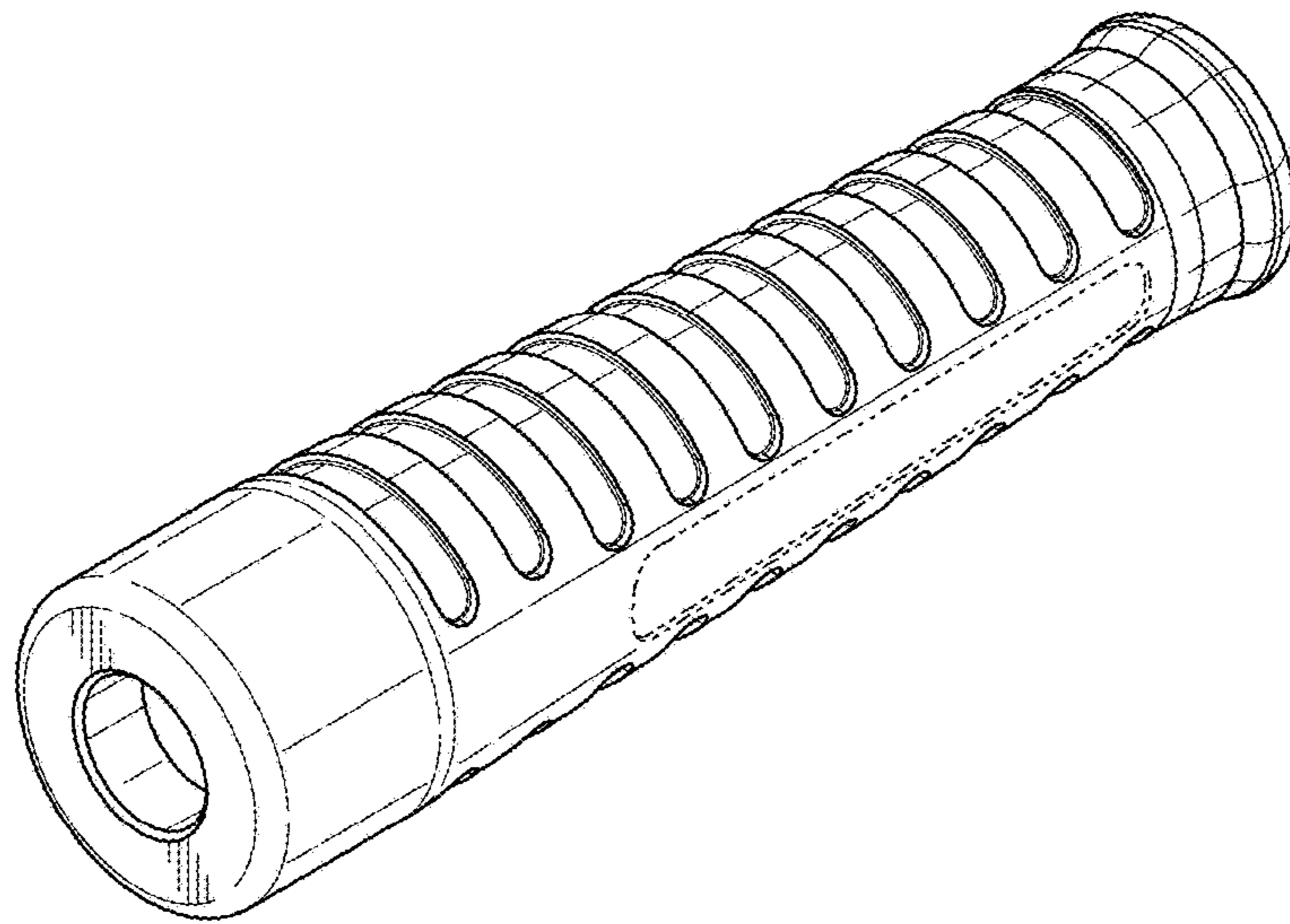


FIG. 6

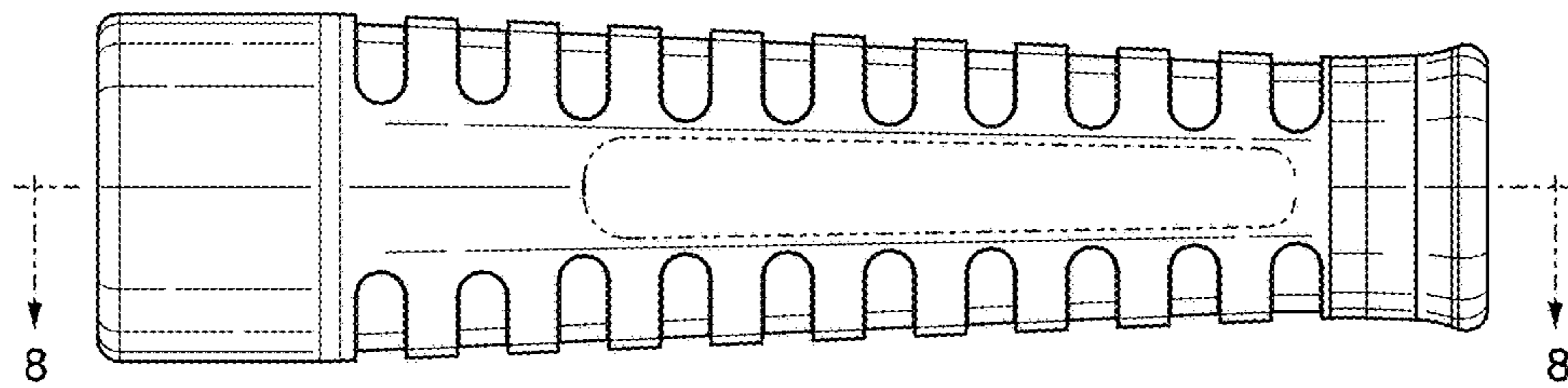


FIG. 7

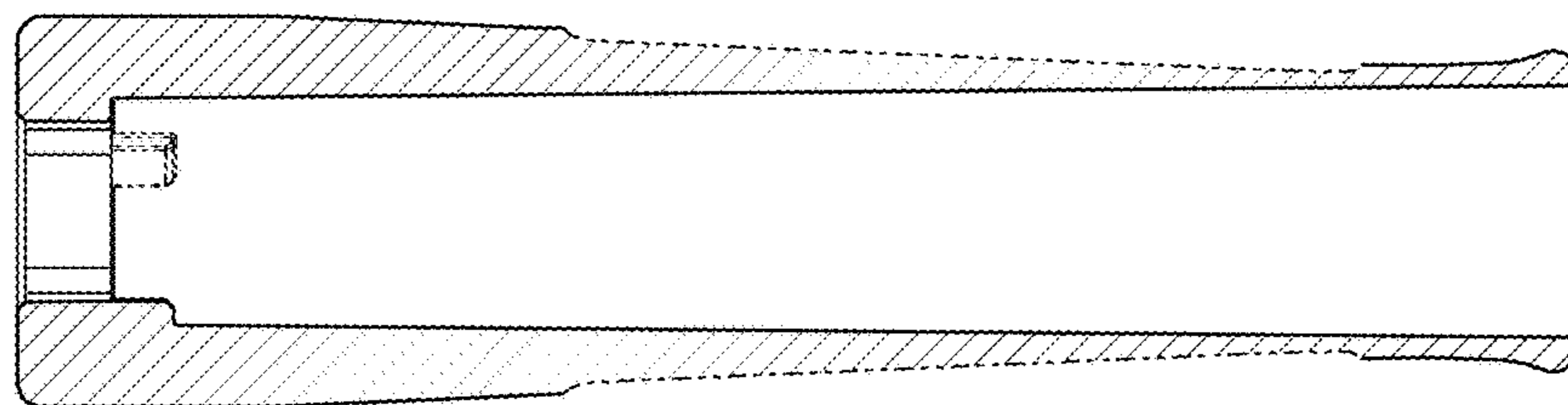


FIG. 8

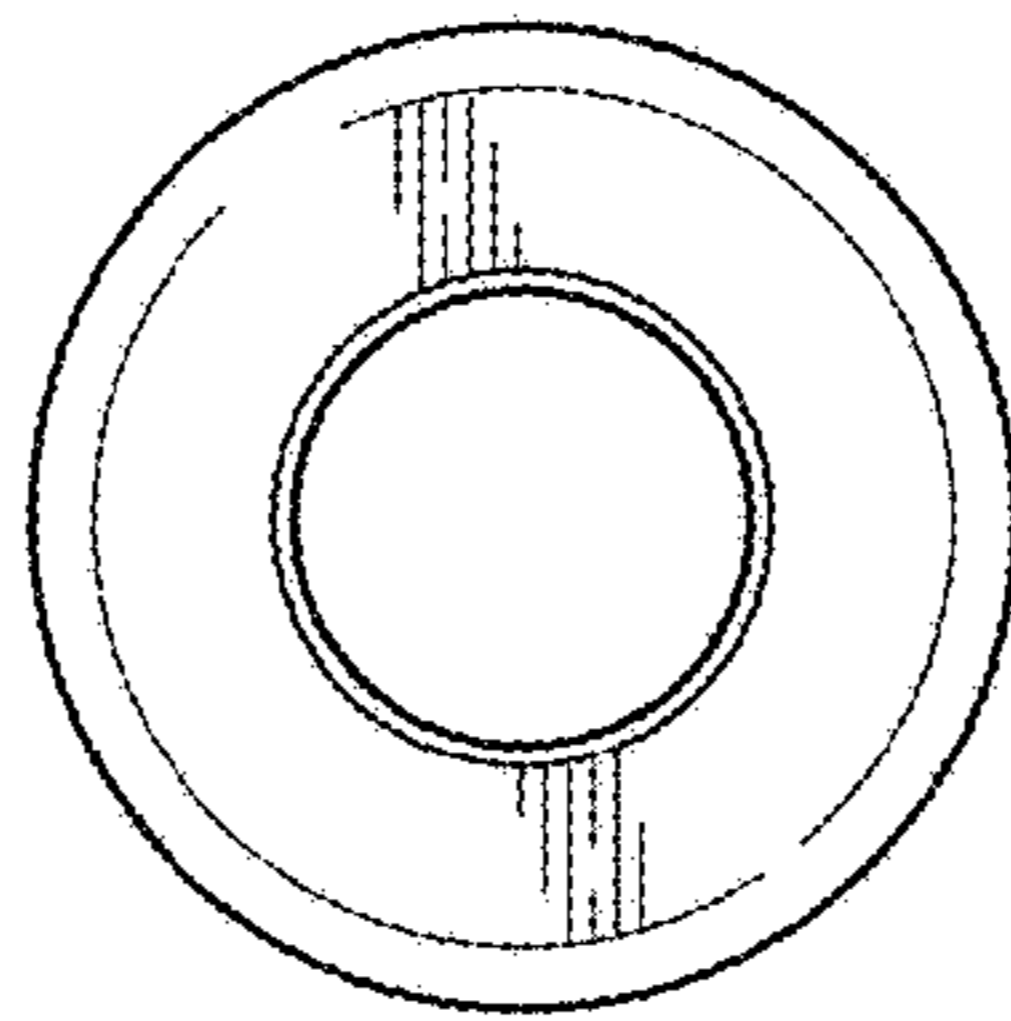


FIG. 9

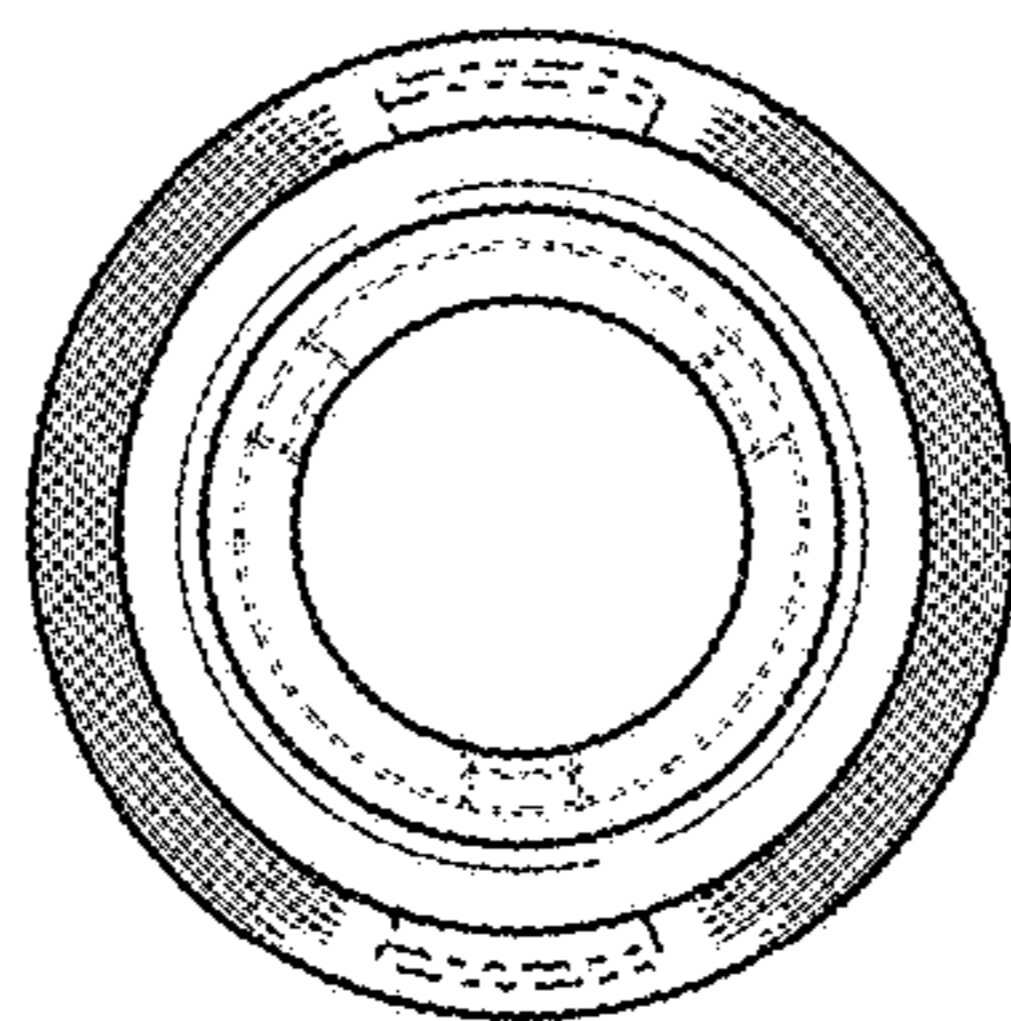


FIG. 10