

US00D867098S

(12) **United States Design Patent** (10) **Patent No.:** **US D867,098 S**  
**Patterson** (45) **Date of Patent:** **\*\* Nov. 19, 2019**

(54) **TRIMMING KNIFE BLADE**  
(71) Applicant: **Belair Instrument Company, LLC**,  
Springfield, NJ (US)  
(72) Inventor: **Barry Patterson**, Springfield, NJ (US)  
(73) Assignee: **BELAIR INSTRUMENT COMPANY,**  
**LLC**, Springfield, NJ (US)  
(\*\*) Term: **15 Years**  
(21) Appl. No.: **29/696,940**  
(22) Filed: **Jul. 2, 2019**

**Related U.S. Application Data**

(63) Continuation-in-part of application No. 29/679,674,  
filed on Feb. 8, 2019.  
(51) **LOC (12) Cl.** ..... **08-03**  
(52) **U.S. Cl.**  
USPC ..... **D8/98**  
(58) **Field of Classification Search**  
USPC ..... D7/393-395, 401.2, 642-652, 693,  
D7/695-696; D8/20, 93, 97-100, 107,  
D8/300, 321; D22/117-118; D24/146  
CPC ..... A01B 1/20; A01B 1/22; A22C 25/006;  
A47G 21/06; A47G 21/065; A61B  
17/142; A61B 17/3211; A61B 17/3213;  
B21D 53/64; B25F 1/02; B25G 3/36;  
B26B 1/00; B26B 1/08; B26B 1/10;  
B26B 3/00; B26B

(Continued)

(56) **References Cited**

**U.S. PATENT DOCUMENTS**

2,877,553 A 3/1959 Matwiczow  
D248,166 S 6/1978 Kanai

(Continued)

*Primary Examiner* — Ricky Pham  
(74) *Attorney, Agent, or Firm* — Dunlap Bennett &  
Ludwig PLLC

(57) **CLAIM**

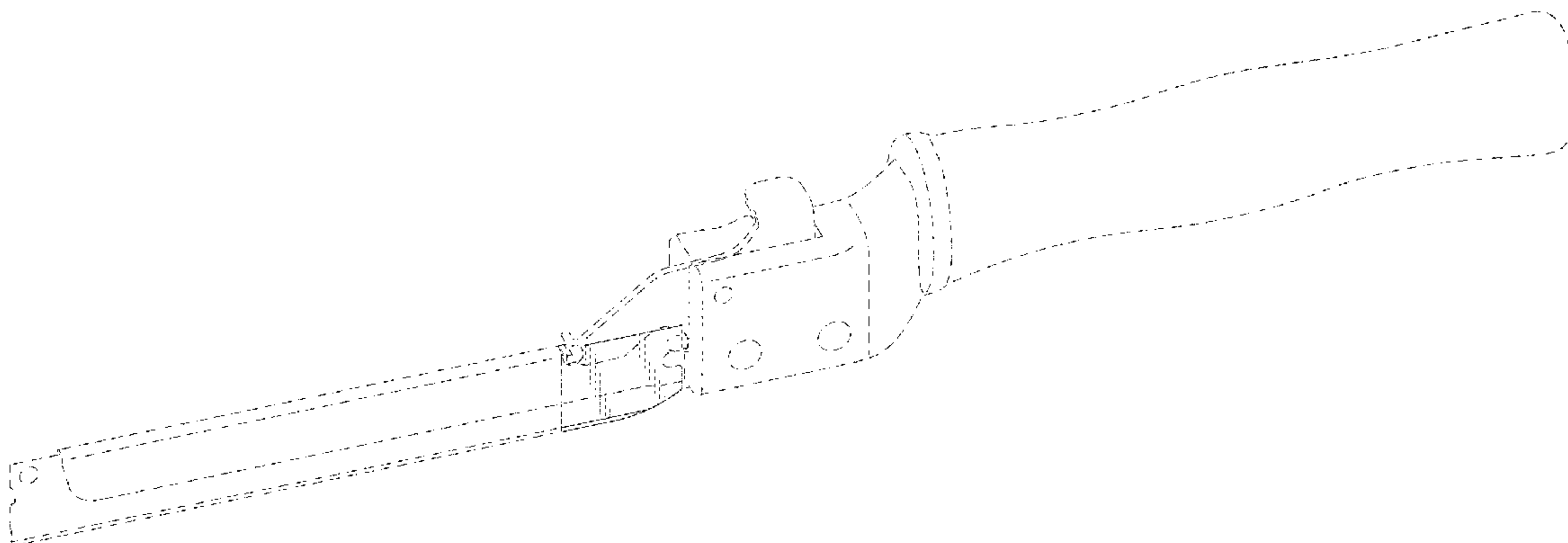
The ornamental design for a trimming knife blade, as shown  
and described.

**DESCRIPTION**

FIG. 1 is a perspective view of a first embodiment of a  
trimming knife blade, showing my new design in use;  
FIG. 2 is an enlarged left elevation view thereof;  
FIG. 3 is an enlarged right elevation view thereof;  
FIG. 4 is an enlarged top plan elevation view thereof;  
FIG. 5 is an enlarged bottom plan elevation view thereof;  
FIG. 6 is an enlarged rear elevation view thereof;  
FIG. 7 is an enlarged front elevation view thereof;  
FIG. 8 is a perspective view of a second embodiment of the  
trimming knife blade, showing my new design;  
FIG. 9 is an enlarged left elevation view thereof;  
FIG. 10 is an enlarged right elevation view thereof;  
FIG. 11 is an enlarged top plan elevation view thereof;  
FIG. 12 is an enlarged bottom plan elevation view thereof;  
FIG. 13 is an enlarged rear elevation view thereof;  
FIG. 14 is an enlarged front elevation view thereof;  
FIG. 15 is a perspective view of a third embodiment of the  
trimming knife blade, showing my new design in use;  
FIG. 16 is an enlarged left elevation view thereof;  
FIG. 17 is an enlarged right elevation view thereof;  
FIG. 18 is an enlarged top plan elevation view thereof;  
FIG. 19 is an enlarged bottom plan elevation view thereof;  
FIG. 20 is an enlarged rear elevation view thereof; and,  
FIG. 21 is an enlarged front elevation view thereof.

The evenly-sized broken lines shown in the drawings depict  
portions of the trimming knife blade that form no part of the  
claimed design. The alternating length dashed lines in the  
drawings depict the boundary of the claimed design, and its  
understood that the claim extends to the boundary that forms  
no part of the claimed design.

**1 Claim, 9 Drawing Sheets**



US D867,098 S

(58) **Field of Classification Search**

CPC ..... 3/02; B26B 3/03; B26B 3/04; B26B 3/06;  
B26B 5/00; B26B 5/001; B26B 5/007;  
B26B 7/00; B26B 7/005; B26B 9/00;  
B26B 9/02; B26B 11/00; B26B 11/006;  
B26B 17/00; B26B 17/006; B26B 29/02

See application file for complete search history.

(56) **References Cited**

U.S. PATENT DOCUMENTS

D248,167 S 6/1978 Kanai  
4,748,743 A 6/1988 Anderson et al.  
5,292,329 A 3/1994 Werner  
5,404,646 A 4/1995 Naifeh  
D385,164 S \* 10/1997 Hutchins ..... B26B 5/00  
D24/146  
D492,412 S \* 6/2004 Desoutter ..... A61B 17/142  
D24/146  
D495,228 S \* 8/2004 Scarla ..... D8/99  
D535,026 S 1/2007 Griffin et al.  
D568,475 S 5/2008 Sandel et al.  
7,434,317 B2 10/2008 Levine et al.  
D624,185 S 9/2010 McGinley  
D631,161 S 1/2011 DaSilva

7,900,363 B1 \* 3/2011 White ..... B25F 1/02  
30/151  
D640,790 S 6/2011 Nishimura  
D657,465 S 4/2012 DaSilva  
8,181,352 B1 5/2012 Shackelford, Sr. et al.  
D680,218 S 4/2013 Darian et al.  
8,444,647 B2 \* 5/2013 Walen ..... A61B 17/142  
606/82  
D687,275 S \* 8/2013 Neitzell ..... D8/20  
D715,435 S 10/2014 Darian  
D716,944 S 11/2014 Fisher et al.  
D722,163 S 2/2015 Hasebe  
D741,481 S 10/2015 Darian et al.  
D742,002 S 10/2015 Fisher et al.  
D743,236 S \* 11/2015 Fischer ..... D8/99  
D745,349 S \* 12/2015 Hampton ..... D8/20  
D749,730 S 2/2016 Dietz et al.  
D764,247 S \* 8/2016 McQuillan ..... D8/20  
D788,302 S 5/2017 O'Neill et al.  
D800,905 S 10/2017 Austria  
D808,749 S \* 1/2018 Wong ..... B25F 1/02  
D8/20  
D817,128 S \* 5/2018 Gopi ..... D8/20  
2005/0245935 A1 \* 11/2005 Casey ..... A61B 17/142  
606/82  
2007/0169353 A1 \* 7/2007 Wu ..... B26B 5/00  
30/155

\* cited by examiner

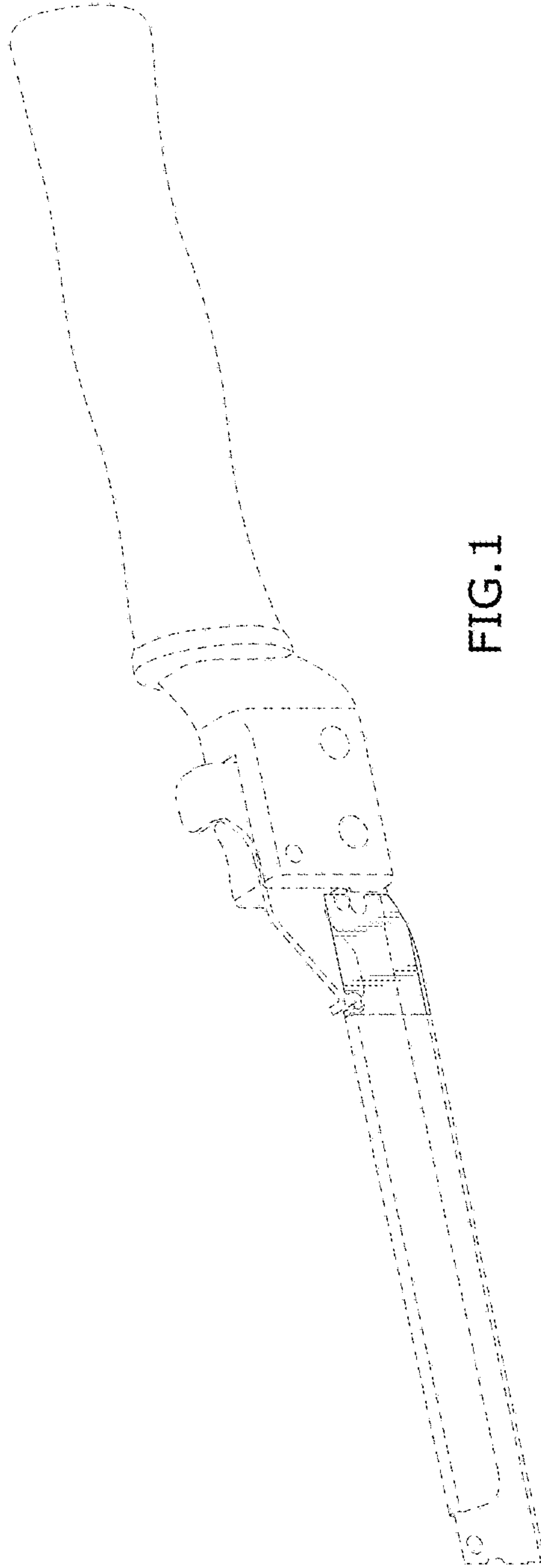


FIG. 1



FIG. 2



FIG. 3

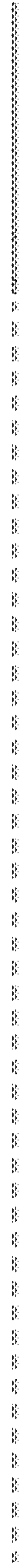


FIG. 4

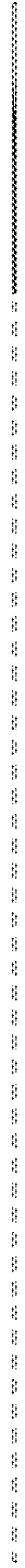


FIG. 5

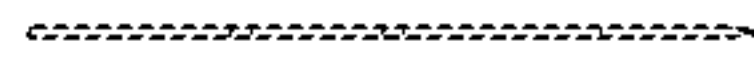


FIG. 6

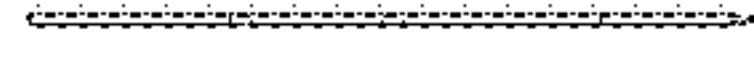


FIG. 7

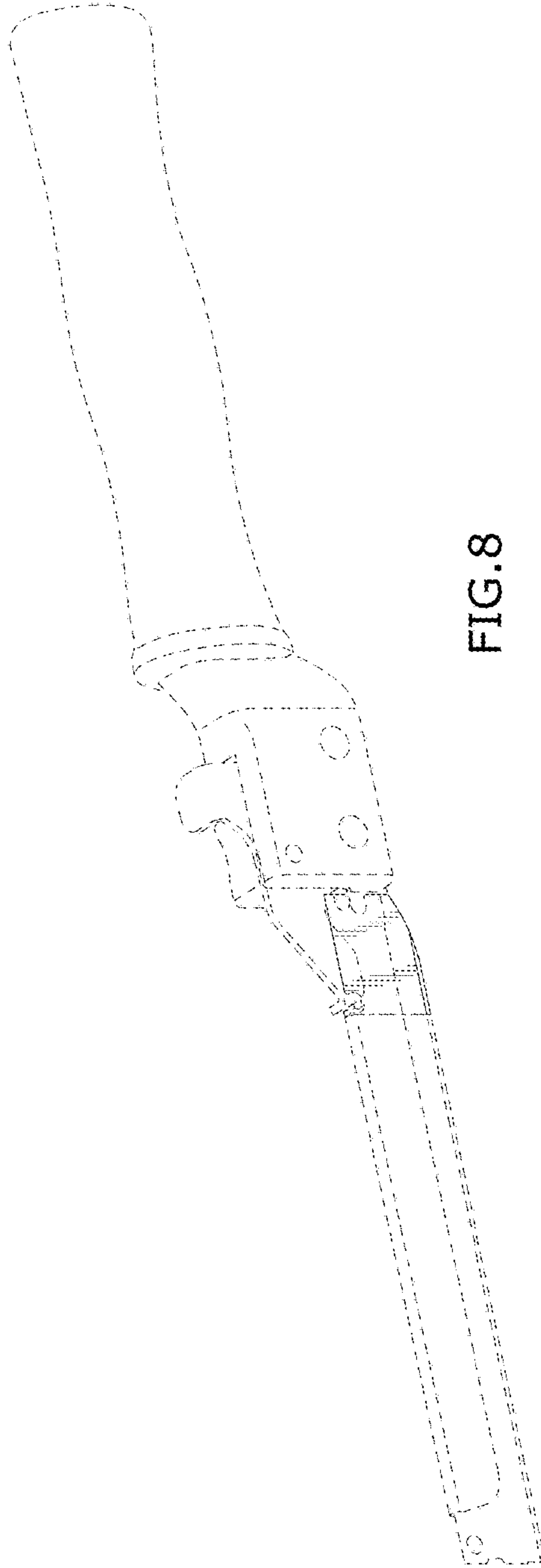


FIG. 8



FIG. 9

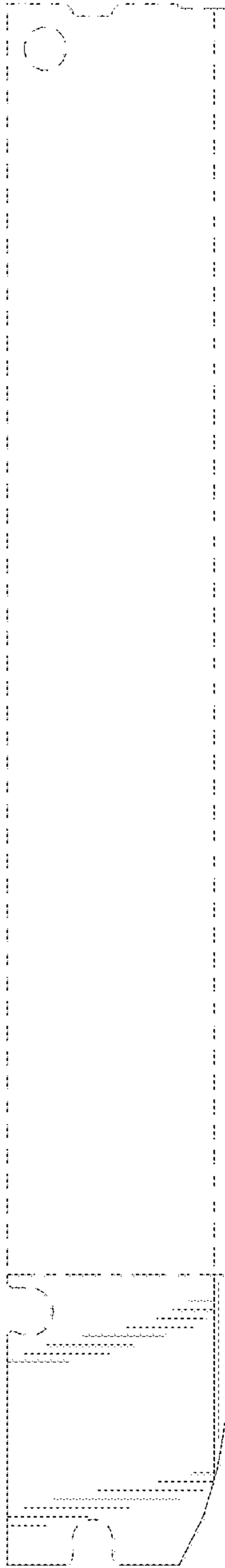


FIG. 10

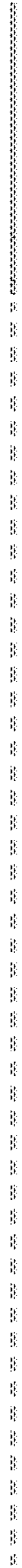


FIG. 11

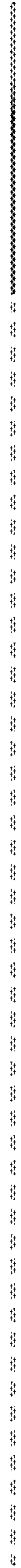


FIG. 12

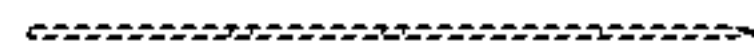


FIG. 13

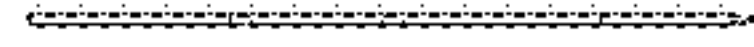


FIG. 14



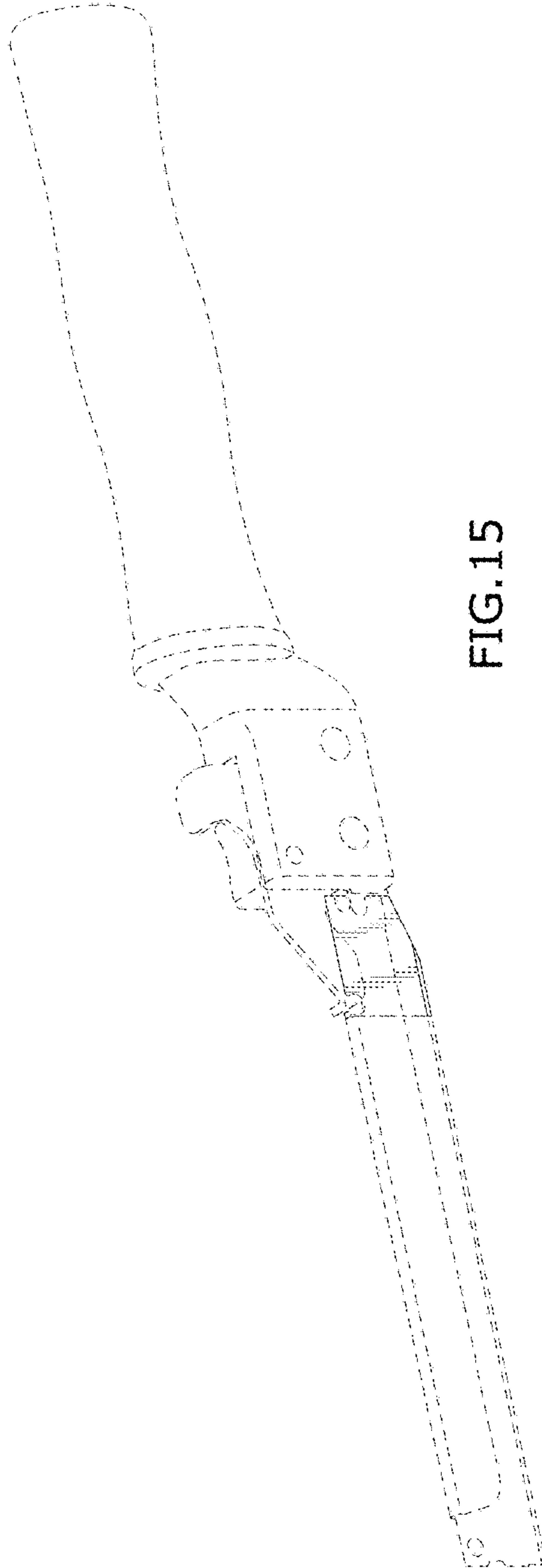


FIG. 15



FIG. 16



FIG. 17

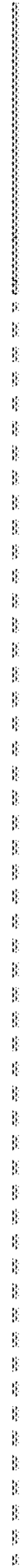


FIG. 18

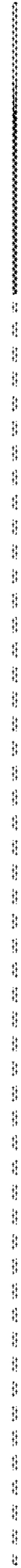


FIG. 19



FIG. 20

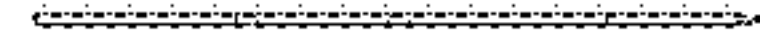


FIG. 21