



US00D867097S

(12) **United States Design Patent** (10) **Patent No.:** **US D867,097 S**  
**Marinovich et al.** (45) **Date of Patent:** **\*\* Nov. 19, 2019**

(54) **EMBEDDED BLADE CUTTER**  
 (71) Applicant: **Pacific Handy Cutter, Inc.**, Irvine, CA (US)  
 (72) Inventors: **Mark Marinovich**, Rancho Santa Fe, CA (US); **Joseph P. Garavaglia**, Newport Beach, CA (US)  
 (73) Assignee: **PACIFIC HANDY CUTTER, INC.**, Irvine, CA (US)

5,890,290 A 4/1999 Davis  
 D480,288 S 10/2003 DeLillo  
 D481,608 S 11/2003 DiPalma  
 D523,317 S 6/2006 Ryan et al.  
 D547,156 S 7/2007 Lee  
 7,237,340 B2 7/2007 Johnson et al.  
 7,284,329 B1 10/2007 King  
 D575,613 S 8/2008 Jennings  
 D582,746 S 12/2008 Neiser  
 D591,136 S 4/2009 Cheldin  
 D591,582 S 5/2009 Windlass et al.  
 7,562,454 B2 7/2009 Steigerwalt et al.  
 7,574,804 B2 8/2009 Bezold et al.

(Continued)

(\*\*) Term: **15 Years**

*Primary Examiner* — Philip S Hyder

(21) Appl. No.: **29/600,319**

(74) *Attorney, Agent, or Firm* — Peter L. Holmes

(22) Filed: **Apr. 11, 2017**

(57) **CLAIM**

(51) **LOC (12) Cl.** ..... **08-03**

The ornamental design for an embedded blade cutter, as shown and described.

(52) **U.S. Cl.**  
USPC ..... **D8/98**

**DESCRIPTION**

(58) **Field of Classification Search**  
 USPC ..... D8/14, 51, 98, 99  
 CPC .. B26B 1/08; B26B 5/003; B26B 3/00; B26B 3/08; B26B 27/05; B26B 27/00  
 See application file for complete search history.

This application is related to U.S. patent application Ser. No. 29/600,323, entitled "Embedded Blade Cutter" filed herewith.

FIG. 1 is a left side perspective view of an embedded blade cutter article showing my/our new design;  
 FIG. 2 is a right side perspective view thereof;  
 FIG. 3 is a left side view thereof;  
 FIG. 4 is a right side view thereof;  
 FIG. 5 is a front view thereof;  
 FIG. 6 is a rear view thereof;  
 FIG. 7 is a top view thereof; and,  
 FIG. 8 is a bottom view thereof.

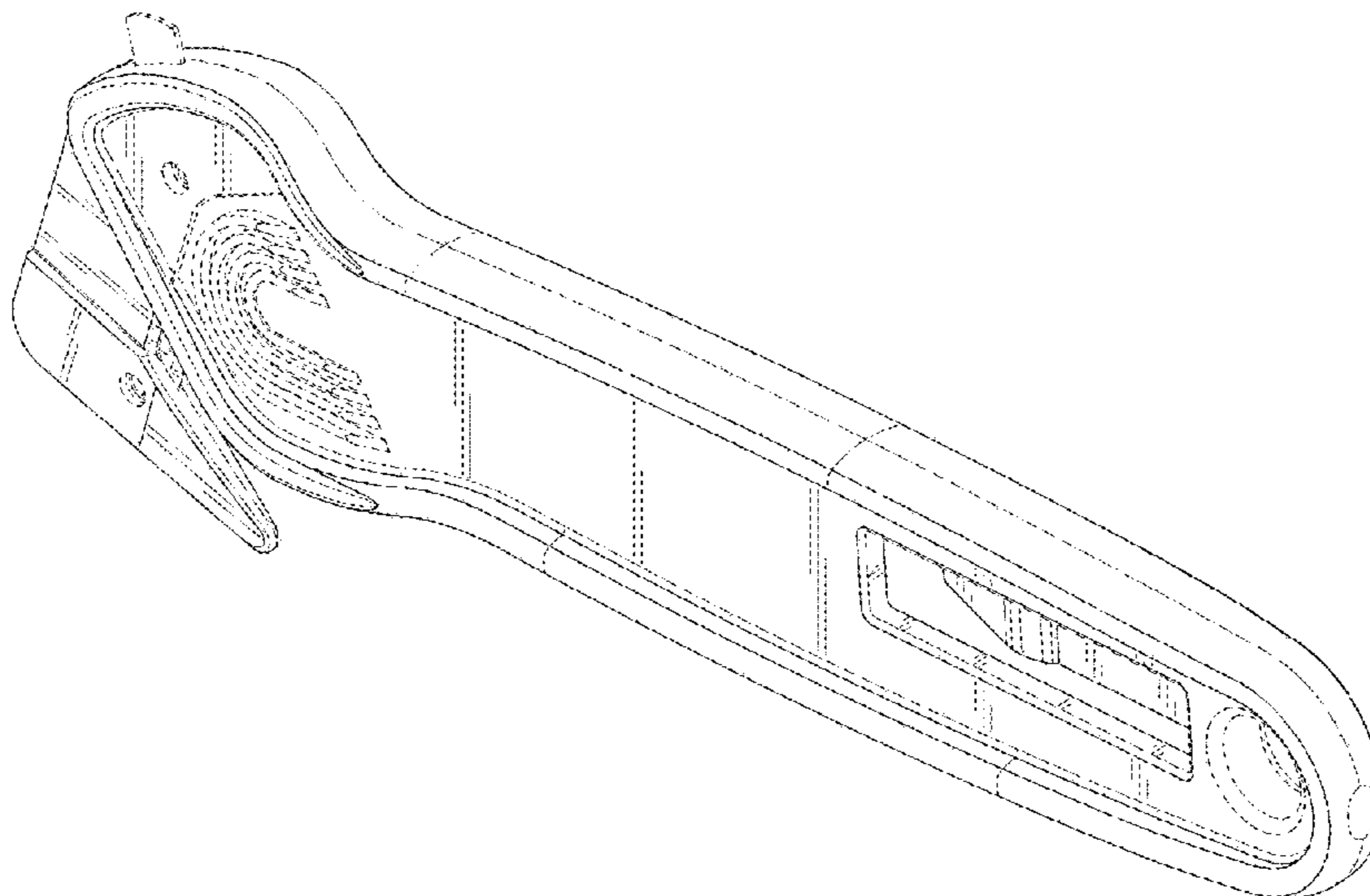
The broken lines immediately adjacent the shaded(/claimed) areas represent the bounds of the claimed design while all other broken lines are included for purposes of illustrating portions of the embedded blade cutter article embodying the design; the broken lines form no part of the claimed design.

(56) **References Cited**

U.S. PATENT DOCUMENTS

1,481,604 A 1/1924 Harvey et al.  
 2,141,061 A 12/1938 Dodson et al.  
 2,615,242 A 10/1952 Franklin et al.  
 3,657,812 A 4/1972 Lee  
 4,081,907 A 4/1978 Bosshold et al.  
 4,646,440 A 3/1987 Decker  
 D323,967 S \* 2/1992 Talbot ..... D8/98  
 5,414,933 A 5/1995 Garner et al.  
 5,511,310 A 4/1996 Sessions et al.  
 5,704,129 A 1/1998 Glesser  
 D406,508 S 3/1999 Rivera  
 D406,509 S 3/1999 Rivera  
 D408,238 S 4/1999 Rivera

**1 Claim, 4 Drawing Sheets**



(56)

References Cited

U.S. PATENT DOCUMENTS

D602,324	S	10/2009	Hancock et al.	
D610,432	S	2/2010	Siegel	
7,673,391	B2	3/2010	Johnson et al.	
D621,678	S	8/2010	Huang	
7,913,397	B2	3/2011	van Deursen	
D639,631	S	6/2011	Kempker et al.	
D673,440	S	1/2013	Kempker et al.	
8,359,754	B2	1/2013	Johnson et al.	
D675,897	S	2/2013	Wu	
D684,451	S	6/2013	Jennings et al.	
8,522,441	B2	9/2013	Johnson et al.	
D714,611	S *	10/2014	Yu Chen .....	D8/98
D714,612	S	10/2014	Gropl et al.	
D721,564	S *	1/2015	Purnomohadi .....	D8/98
8,997,357	B2	4/2015	Johnson et al.	
D752,942	S	4/2016	Rohrbach	
D767,966	S	10/2016	Standlee	
D767,967	S	10/2016	Standlee	
D801,148	S *	10/2017	Yu Chen .....	D8/98
D802,394	S *	11/2017	Yu Chen .....	D8/98
D817,143	S *	5/2018	Rohrbach .....	D8/98
2007/0234573	A1	10/2007	Johnson et al.	
2009/0193662	A1	8/2009	van Deursen	
2009/0255127	A1	10/2009	Seymour et al.	
2010/0263219	A1	10/2010	Kempker et al.	
2013/0298409	A1	11/2013	Jacobs et al.	
2013/0298410	A1	11/2013	Johnson et al.	
2013/0305542	A1	11/2013	McChesney	
2014/0345146	A1 *	11/2014	Schekalla .....	B26B 3/00 30/169
2015/0298330	A1 *	10/2015	Yu Chen .....	B26B 27/005 30/280
2017/0197320	A1 *	7/2017	Chen .....	B26B 11/006

\* cited by examiner

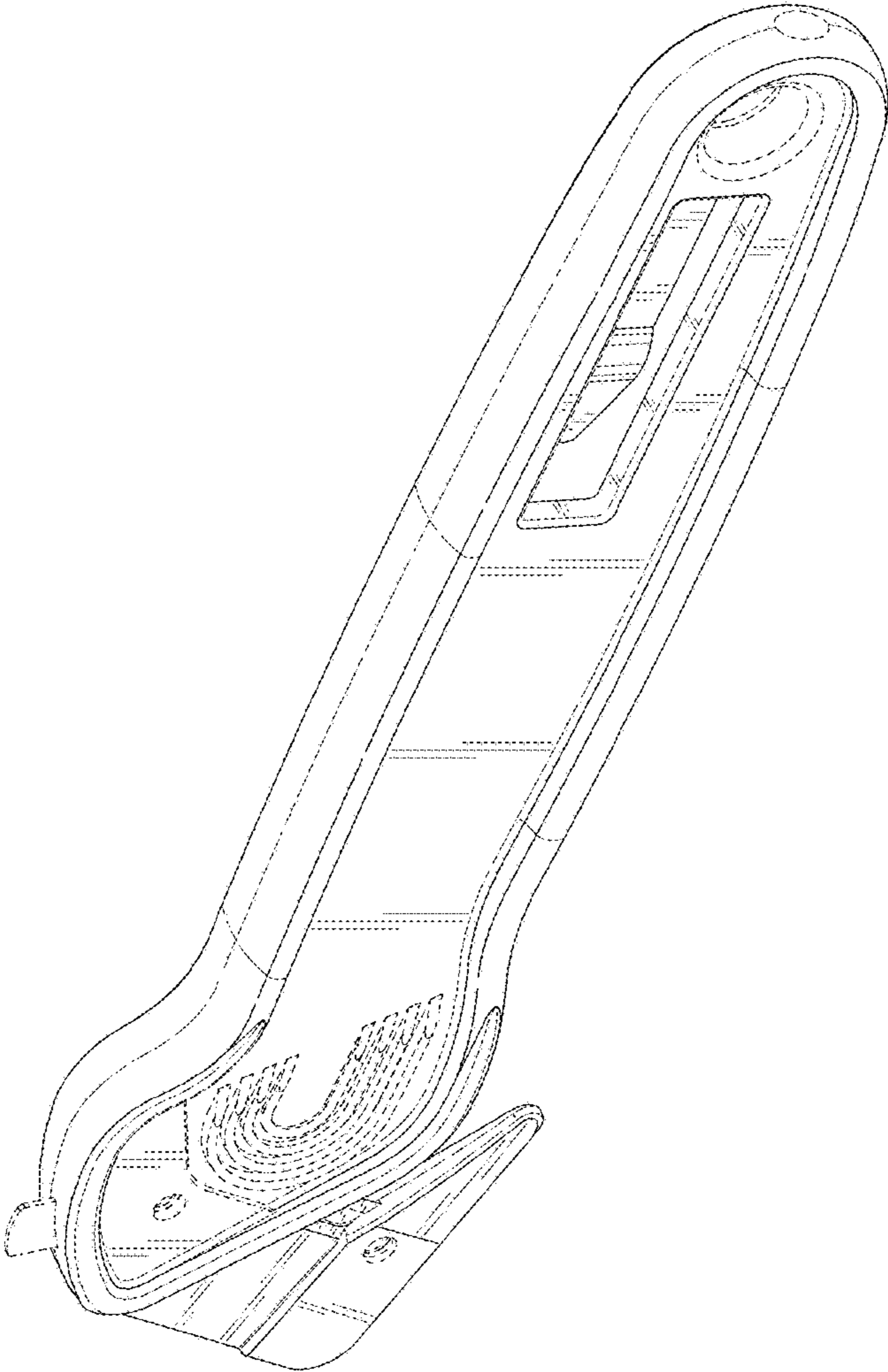


FIG. 1

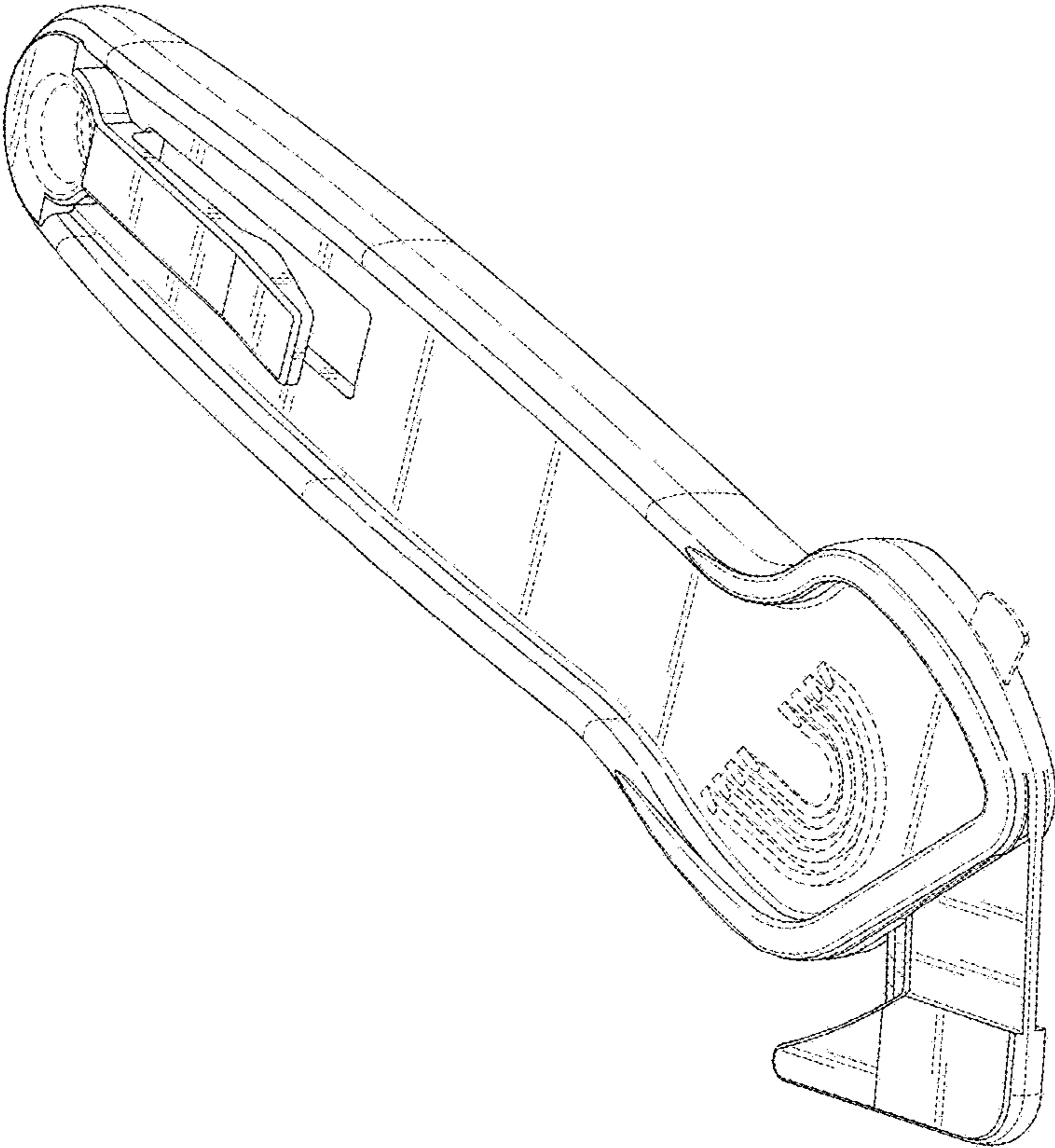


FIG. 2



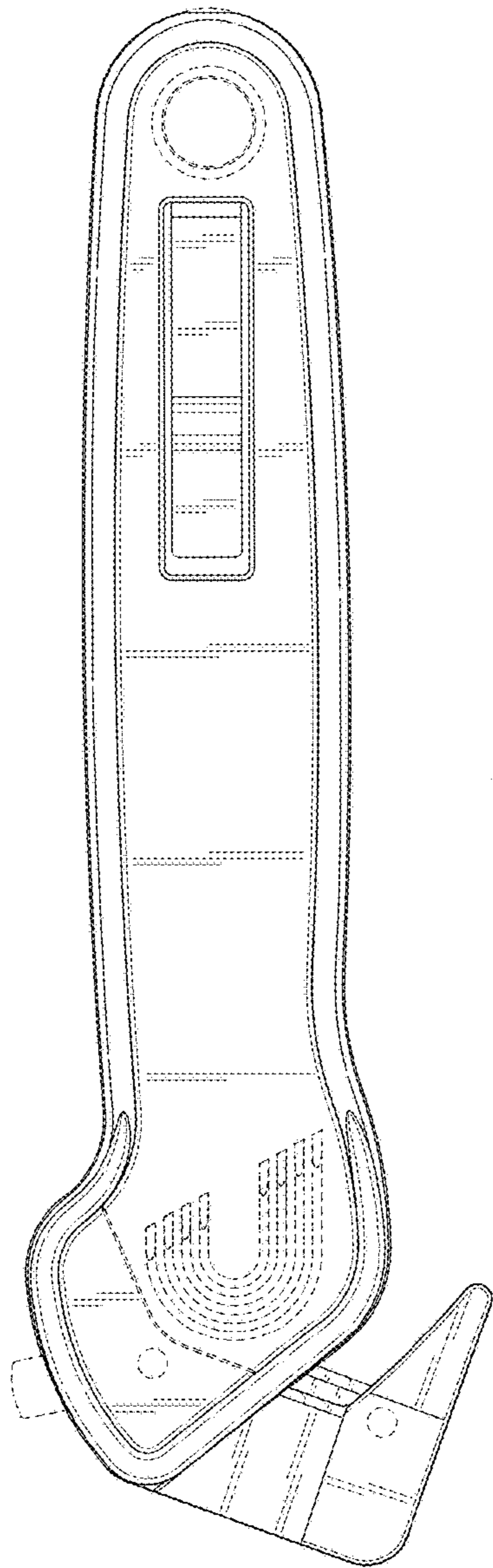


FIG. 3

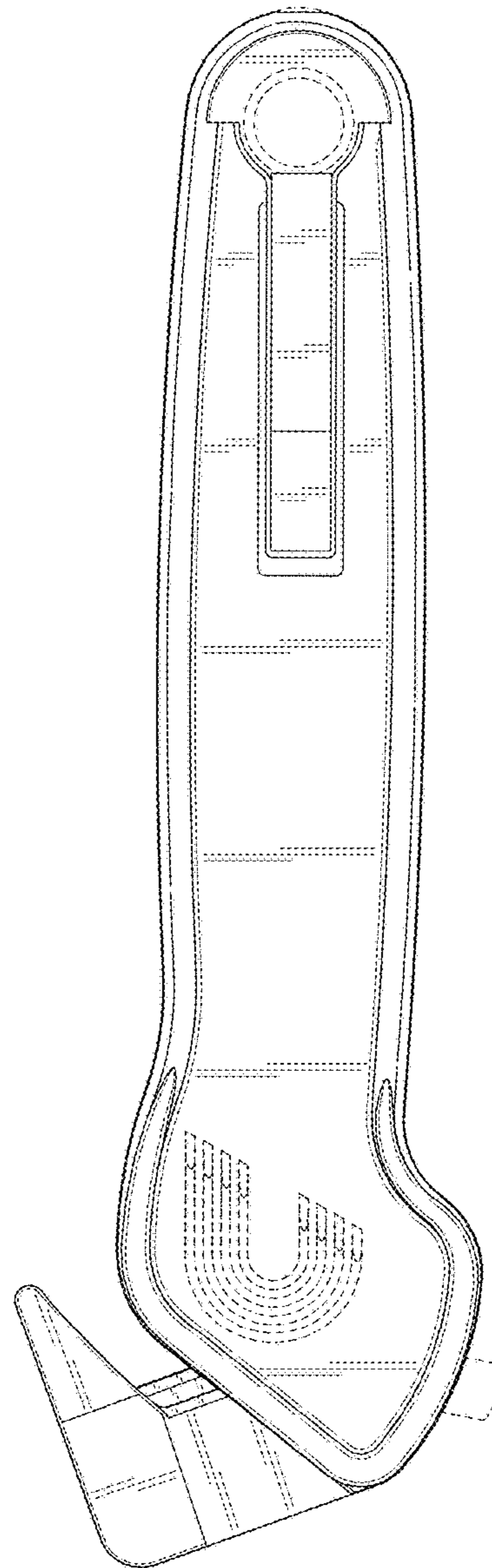


FIG. 4

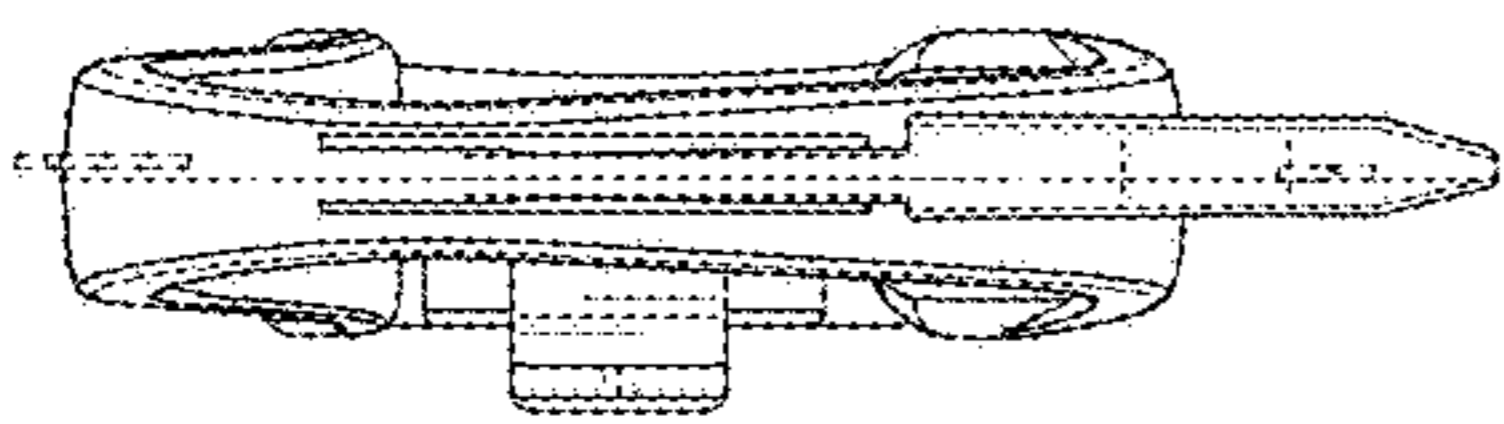


FIG. 5

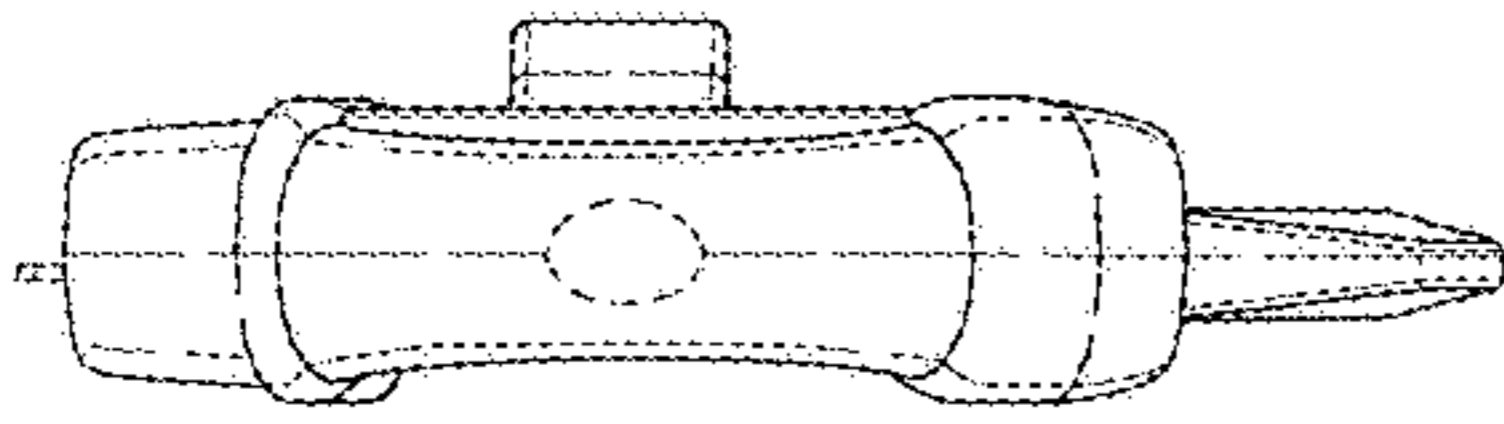


FIG. 6

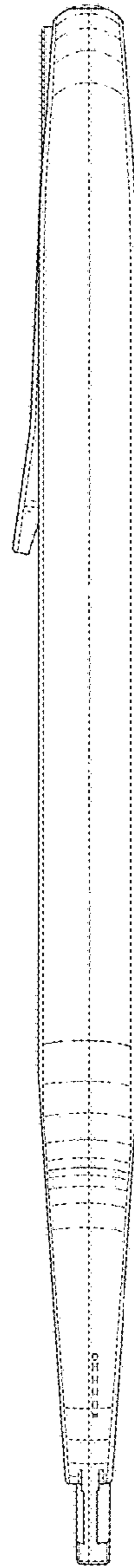


FIG. 7

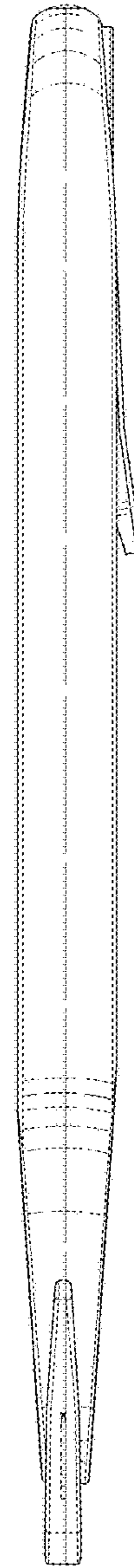


FIG. 8