

US00D867093S

(12) **United States Design Patent** (10) **Patent No.:** **US D867,093 S**  
**Taguchi et al.** (45) **Date of Patent:** **\*\* Nov. 19, 2019**

(54) **SCREWDRIVER BIT**

(71) Applicant: **VESSEL INDUSTRIAL CO., LTD.**,  
Osaka (JP)

(72) Inventors: **Jiro Taguchi**, Osaka (JP); **Koji Dohi**,  
Osaka (JP)

(73) Assignee: **VESSEL INDUSTRIAL CO., LTD.**,  
Osaka (JP)

(\*\*) Term: **15 Years**

(21) Appl. No.: **35/506,224**

(22) Filed: **Jun. 13, 2018**

(80) **Hague Agreement Data**

Int. Filing Date: **Jun. 13, 2018**

Int. Reg. No.: **DM/101707**

Int. Reg. Date: **Jun. 13, 2018**

Int. Reg. Pub. Date: **Dec. 14, 2018**

(51) **LOC (12) Cl.** ..... **08-04**

(52) **U.S. Cl.**  
USPC ..... **D8/86**

(58) **Field of Classification Search**  
USPC ..... D8/70, 82, 86, 87; D15/139  
CPC ..... B25B 23/0035  
See application file for complete search history.

(56) **References Cited**

U.S. PATENT DOCUMENTS

D462,596 S *	9/2002	Fruhm	.....	D8/86
D725,984 S *	4/2015	Moss	.....	D8/86
D726,521 S *	4/2015	Moss	.....	D8/86
D752,408 S *	3/2016	Moss	.....	D8/86
D764,251 S *	8/2016	Hsu	.....	D8/86
D789,761 S *	6/2017	Moss	.....	D8/86
9,737,977 B2 *	8/2017	Taguchi	.....	B25B 15/005
D838,566 S *	1/2019	Moss	.....	D8/70
D841,425 S *	2/2019	Moss	.....	D8/86

\* cited by examiner

*Primary Examiner* — Deanna L Pratt

(74) *Attorney, Agent, or Firm* — Roberts Mlotkowski  
Safran Cole & Calderon P.C.; Jorie L. Stroup

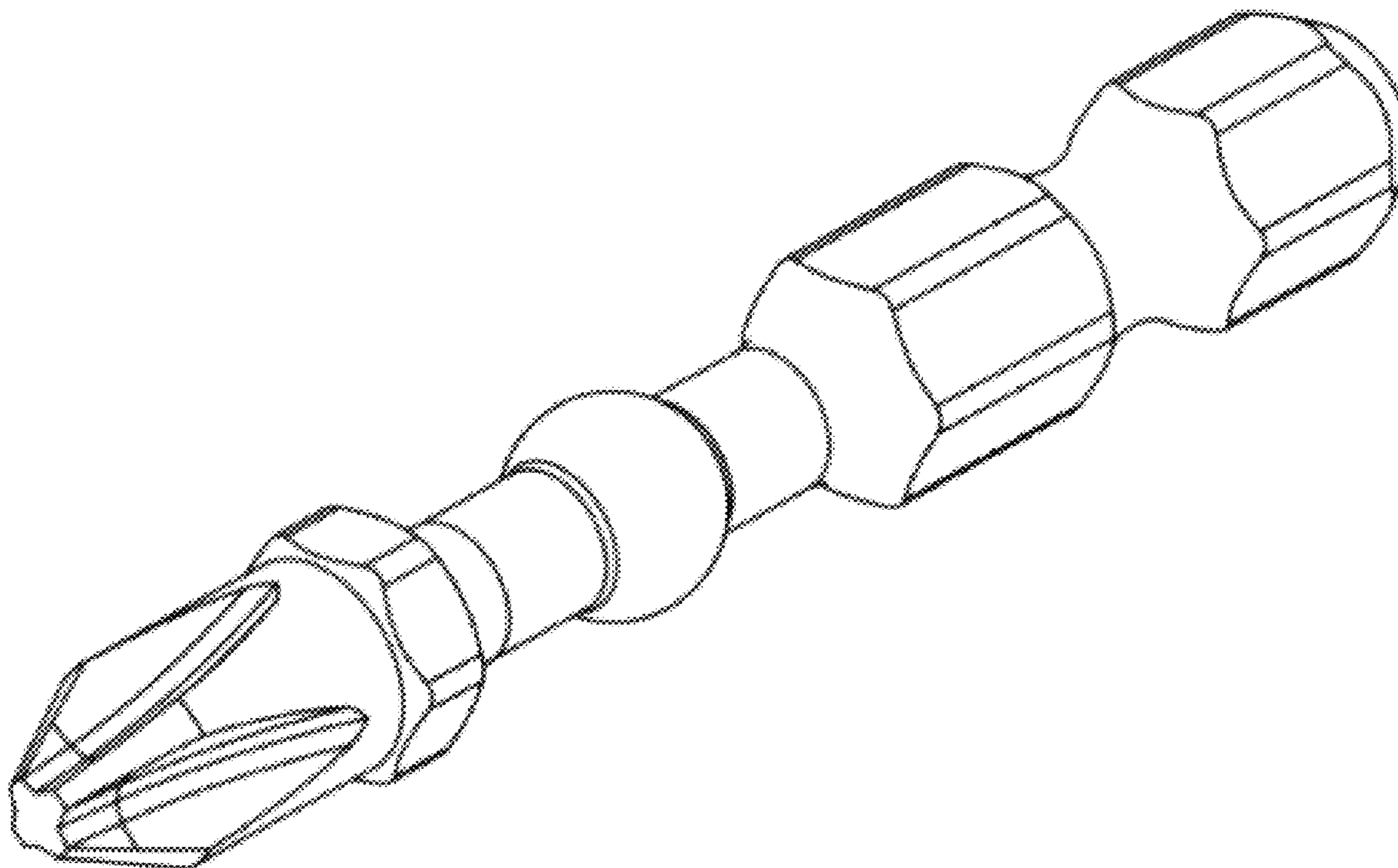
(57) **CLAIM**

The ornamental design for a screwdriver bit, as shown and described.

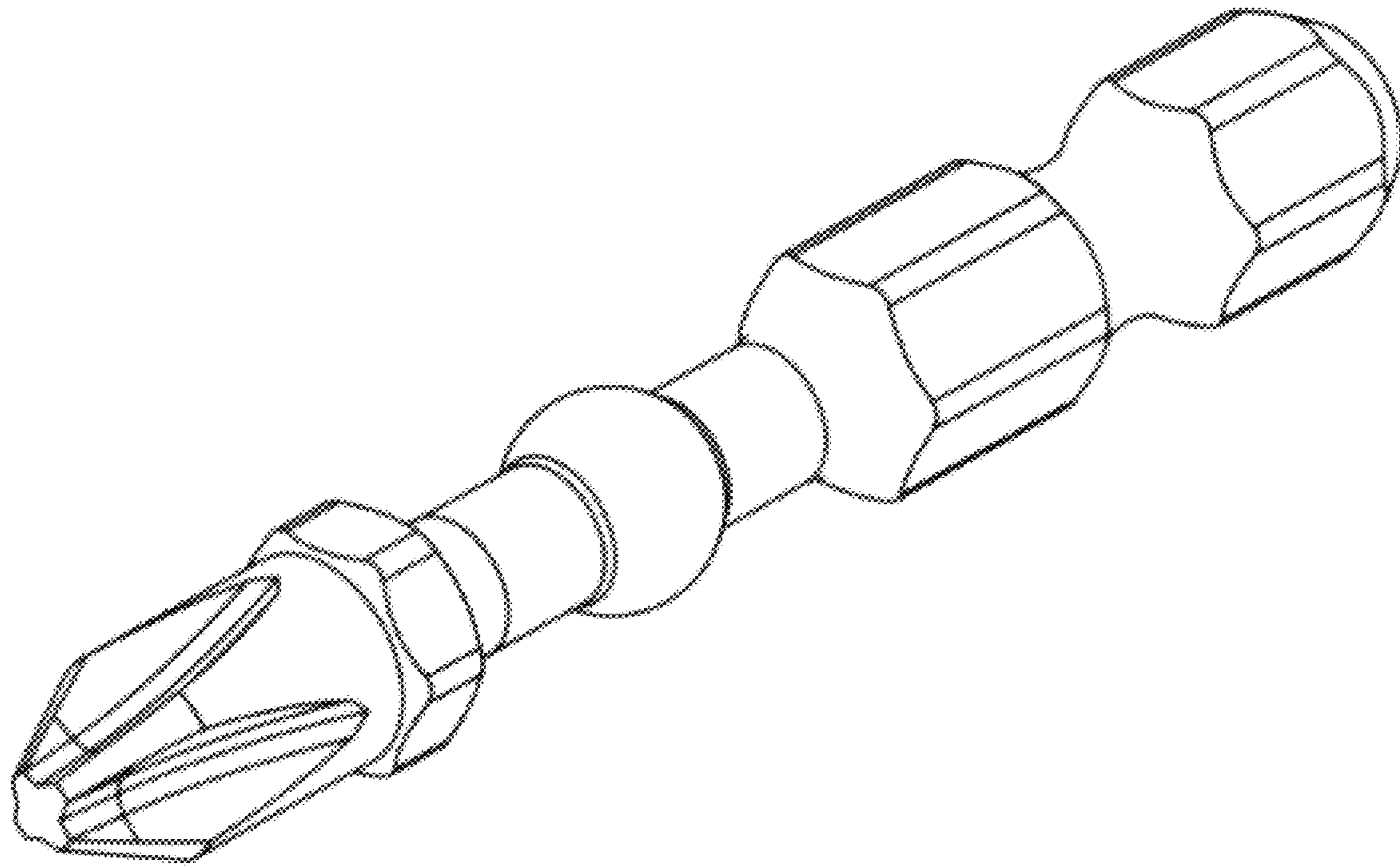
**DESCRIPTION**

- 1. Screwdriver bit
- 1.1 : Perspective
- 1.2 : Front
- 1.3 : Back
- 1.4 : Top
- 1.5 : Bottom
- 1.6 : Left
- 1.7 : Right

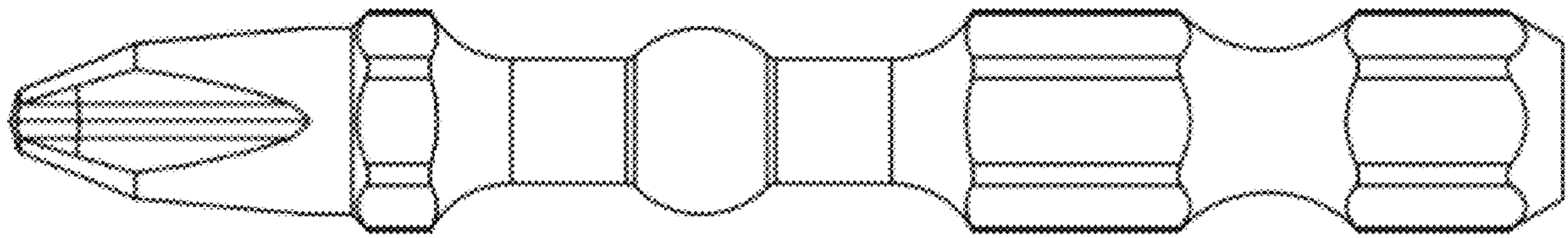
**1 Claim, 7 Drawing Sheets**



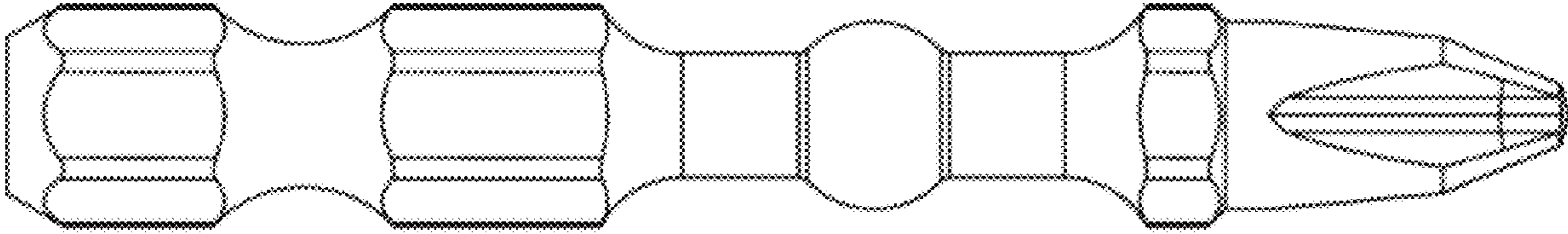
**1.1**



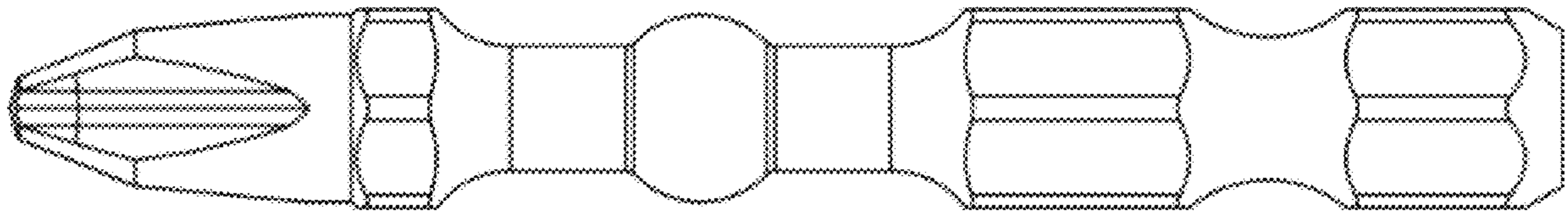
1.2



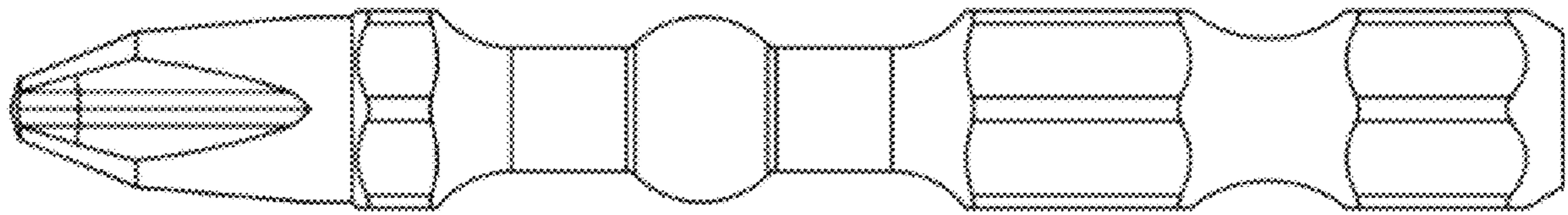
1.3



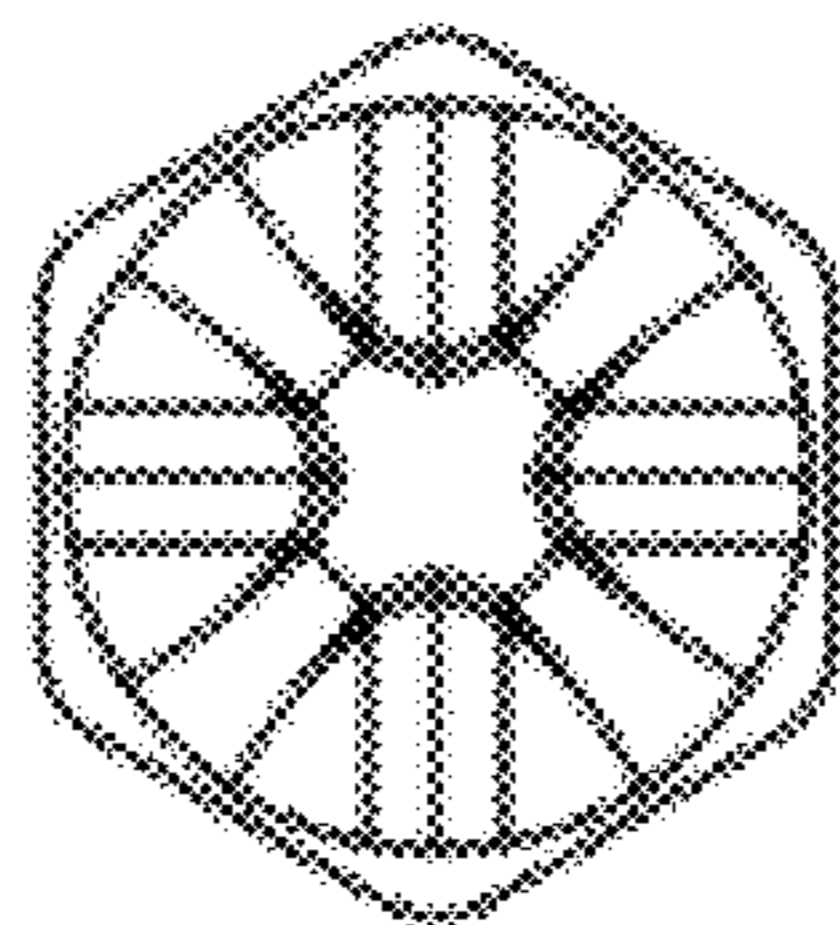
1.4



1.5



**1.6**





**1.7**

