

US00D867091S

(12) **United States Design Patent** (10) **Patent No.:** **US D867,091 S**
Fording et al. (45) **Date of Patent:** **** Nov. 19, 2019**

- (54) **HAMMER**
- (71) Applicant: **Lowe's Companies, Inc.**, Mooresville, NC (US)
- (72) Inventors: **Jay Kinsley Fording**, Davidson, NC (US); **Alexander Wade Ogle**, Mooresville, NC (US); **Jonathan Bryant Grey**, Huntersville, NC (US); **Robert Daniel Lyalls**, Cornelius, NC (US); **Scott Andrew Suttle**, Charlotte, NC (US); **Ludwin Miguel Mora**, Columbus, OH (US); **James Huang Lua**, Columbus, OH (US)
- (73) Assignee: **LOWE'S COMPANIES, INC.**, Mooresville, NC (US)
- (**) Term: **15 Years**
- (21) Appl. No.: **29/628,357**
- (22) Filed: **Dec. 4, 2017**

- 2,656,225 A 10/1953 Proffer
 - 2,678,853 A 8/1954 Ray
 - 2,831,202 A 4/1958 Lay
 - 2,850,331 A 9/1958 Curry et al.
 - 3,175,232 A 3/1965 Stowell
 - 3,355,226 A 11/1967 Portz
 - 3,578,825 A 5/1971 Merrow et al.
- (Continued)

OTHER PUBLICATIONS

"Hunter Hammer Pictures", Various Angles, 3 pages.
 "Hunter Tools", Available on Internet on http://www.hammersource.com/Framing_Hammers/24oz_Hunter_Finish_hammer_milled_f..., Accessed on Internet on Jul. 3, 2012, 1 page.

(Continued)

Primary Examiner — Philip S Hyder
 (74) *Attorney, Agent, or Firm* — Kilpatrick Townsend & Stockton LLP

(57) **CLAIM**

We claim the ornamental design for a hammer, as shown and described.

DESCRIPTION

FIG. 1 is a rear, side perspective view of a hammer comprising the present invention.
 FIG. 2 is a side elevational view of the hammer shown in FIG. 1.
 FIG. 3 is another side elevational view of the hammer shown in FIGS. 1 and 2.
 FIG. 4 is a front elevational view of the hammer shown in FIGS. 1, 2, and 3.
 FIG. 5 is a rear elevational view of the hammer shown in FIGS. 1, 2, 3, and 4.
 FIG. 6 is a top view of the hammer shown in FIGS. 1, 2, 3, 4, and 5; and,
 FIG. 7 is a bottom view of the hammer shown in FIGS. 1, 2, 3, 4, 5, and 6.
 The broken lines depict portions of the hammer in which the design is embodied that are not considered part of the claimed design.

Related U.S. Application Data

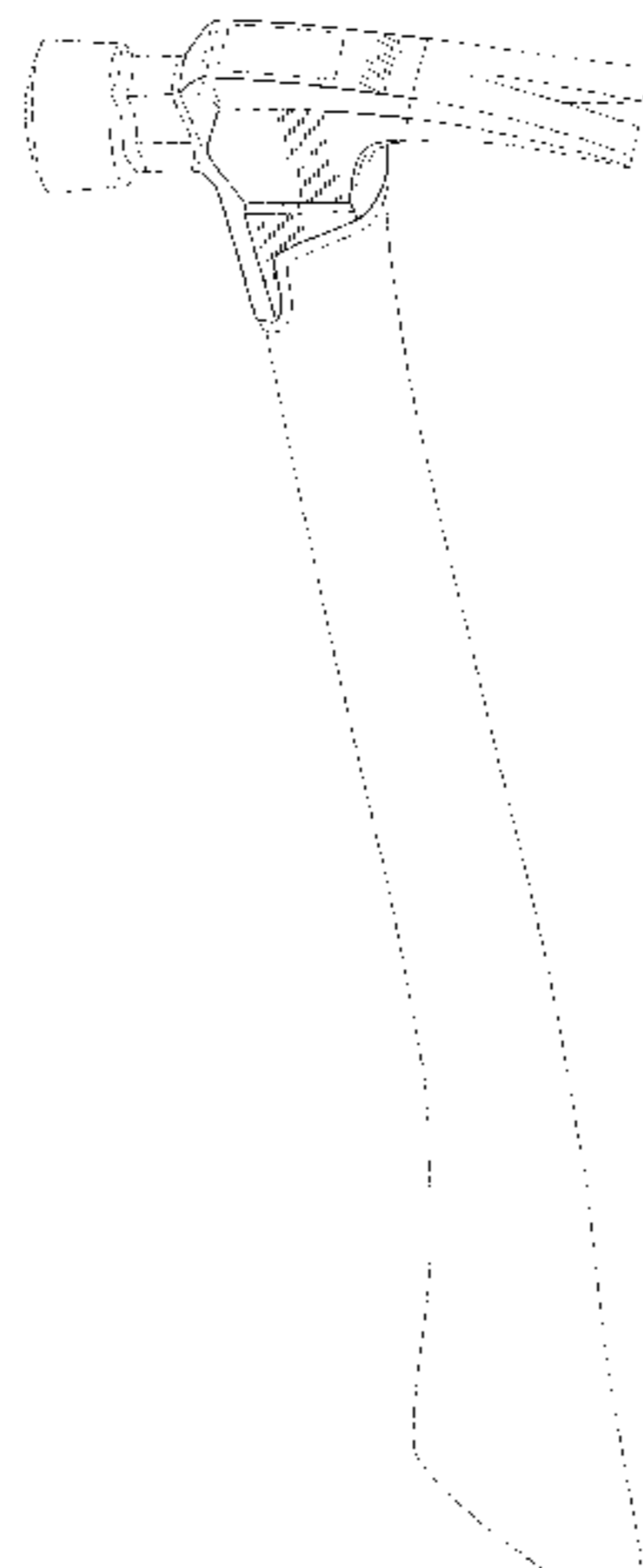
- (60) Division of application No. 29/470,365, filed on Oct. 21, 2013, now Pat. No. Des. 804,271, which is a continuation-in-part of application No. 13/876,687, filed on Mar. 28, 2013, now abandoned.
- (51) **LOC (12) Cl.** **08-02**
- (52) **U.S. Cl.**
USPC **D8/78**
- (58) **Field of Classification Search**
USPC D8/75, 76, 77, 78, 79, 80, 81, 105, 107
CPC ... B25D 1/00; B25D 1/02; B25D 1/04; B25D 1/045; B25D 1/06; B25D 1/10; B25D 1/12; B25G 1/102
See application file for complete search history.

(56) **References Cited**

U.S. PATENT DOCUMENTS

- 255,166 A 3/1882 Hardie
- 1,408,162 A 2/1922 Bartosz

1 Claim, 5 Drawing Sheets



(56)

References Cited

U.S. PATENT DOCUMENTS

3,877,826	A	4/1975	Shepherd, Jr. et al.
4,089,356	A	5/1978	O'Connor
4,154,273	A	5/1979	Pollak
4,482,132	A	11/1984	Lamansky
D288,406	S	2/1987	Santos
5,299,475	A	4/1994	Stroop
5,860,334	A	1/1999	Coonrad
D429,985	S	8/2000	Tovar
6,772,657	B2	8/2004	Nakayama
D497,789	S	11/2004	Hung
7,143,667	B2	12/2006	Deros et al.
D628,870	S	12/2010	Jerabek et al.
8,047,099	B2	11/2011	St. John et al.
8,534,643	B2	9/2013	Lombardi et al.
D804,271	S	12/2017	Fording et al.
2003/0140734	A1	7/2003	Tovar
2010/0199809	A1	8/2010	St. John et al.

OTHER PUBLICATIONS

“Hunter Tools”, Available on internet on <http://www.huntertoolscorp.com/products.html>, Accessed on Internet on Jul. 3, 2012, 3 pages.

“Kobalt 20-oz Fiberglass Rip Claw Hammer with StrikeShield”, available online at http://www.lowes.com/pd_117213-16878-62744_1z11_pbl_productId=4776!387&pl=1#img, 1 page.

“Kobalt Hammer with Strike Shield”, Available online at http://www.lowes.com/pd_117213-16878-62744_1z11_pbl_productId=4776987&pl=1, 1 page.

U.S. Appl. No. 13/876,687, “Non-Final Office Action”, dated May 18, 2016, 10 pages.

U.S. Appl. No. 29/470,365 , “Advisory Action”, dated Dec. 14, 2016, 3 pages.

U.S. Appl. No. 29/470,365 , “Final Office Action”, dated Apr. 27, 2016, 7 pages.

U.S. Appl. No. 29/470,365 , “Non-Final Office Action”, dated Jul. 2, 2015, 6 pages.

U.S. Appl. No. 29/470,365 , “Notice of Allowance”, dated Jul. 27, 2017, 7 pages.

FIG. 1

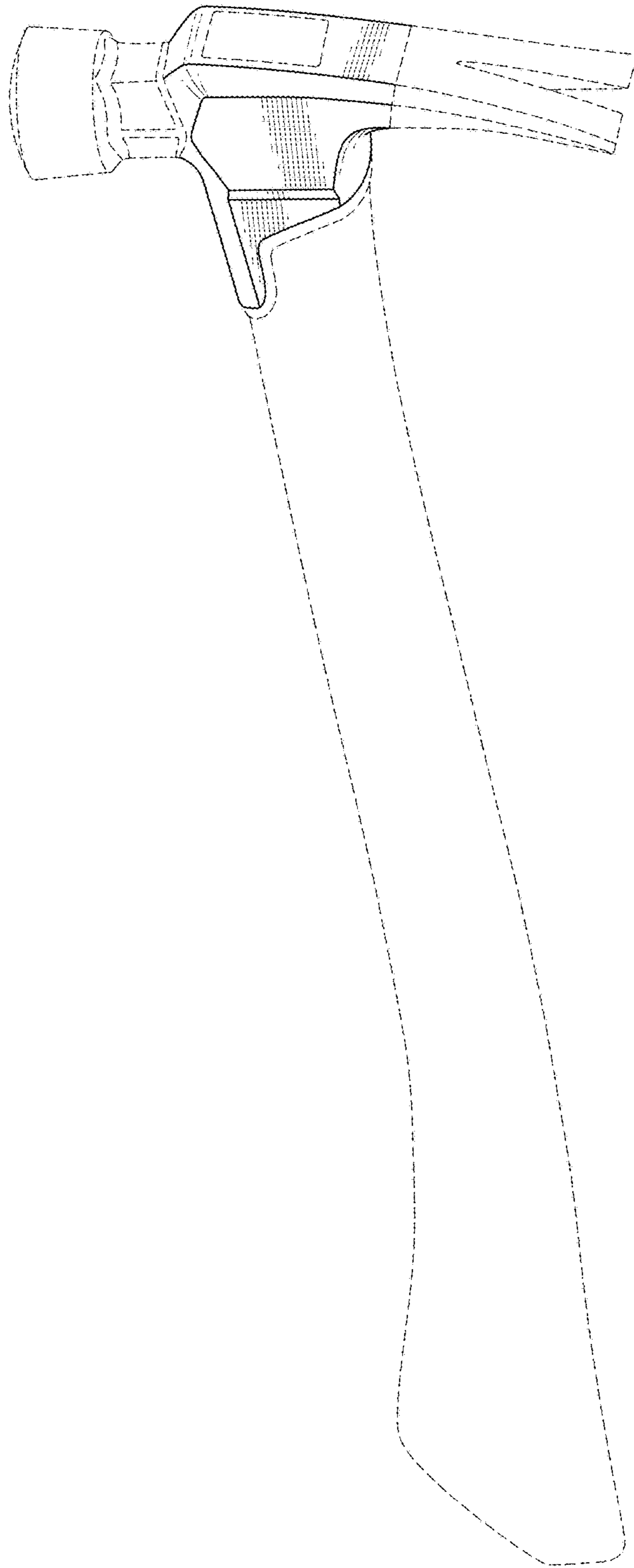


FIG. 2

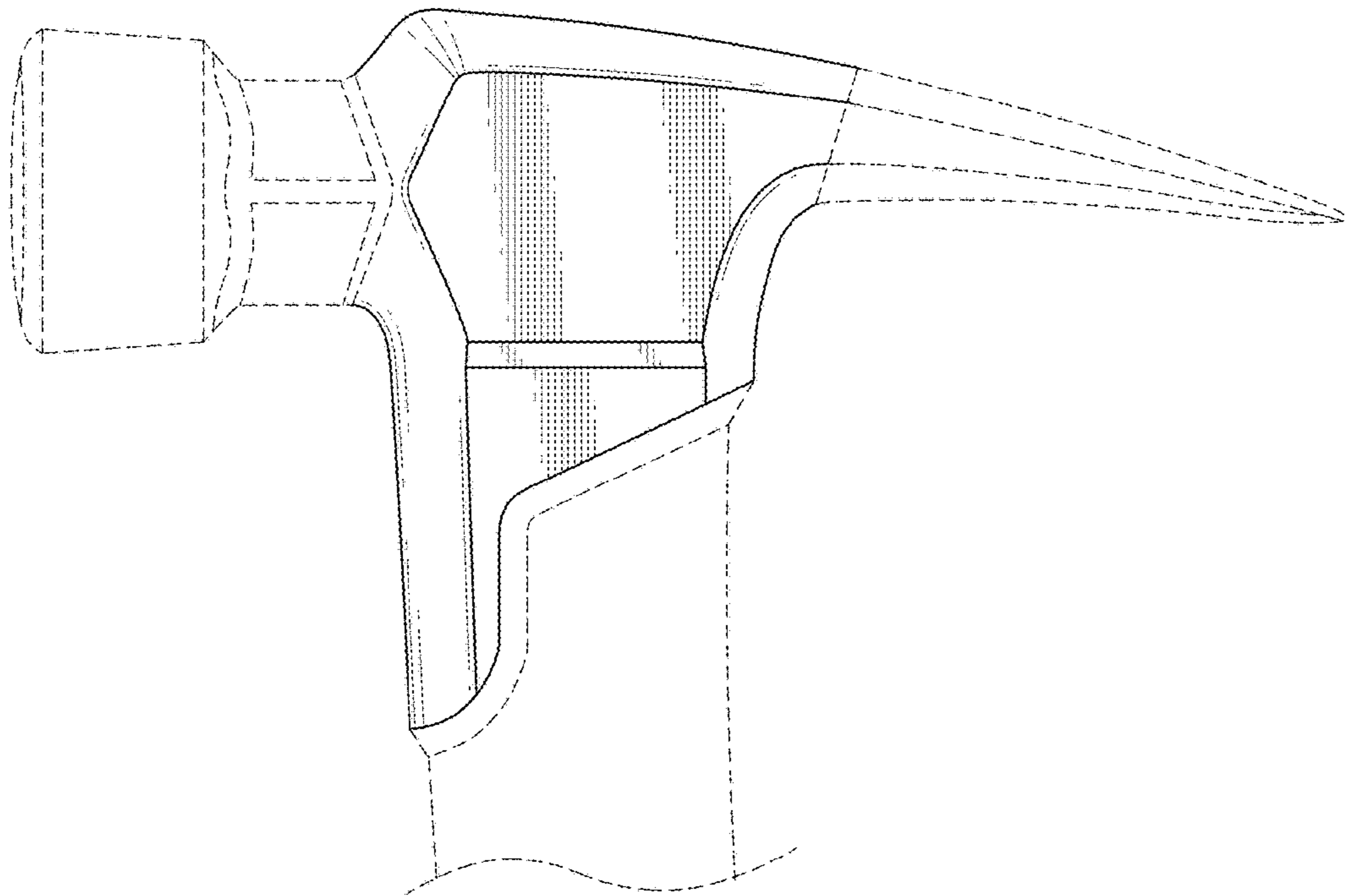


FIG. 3

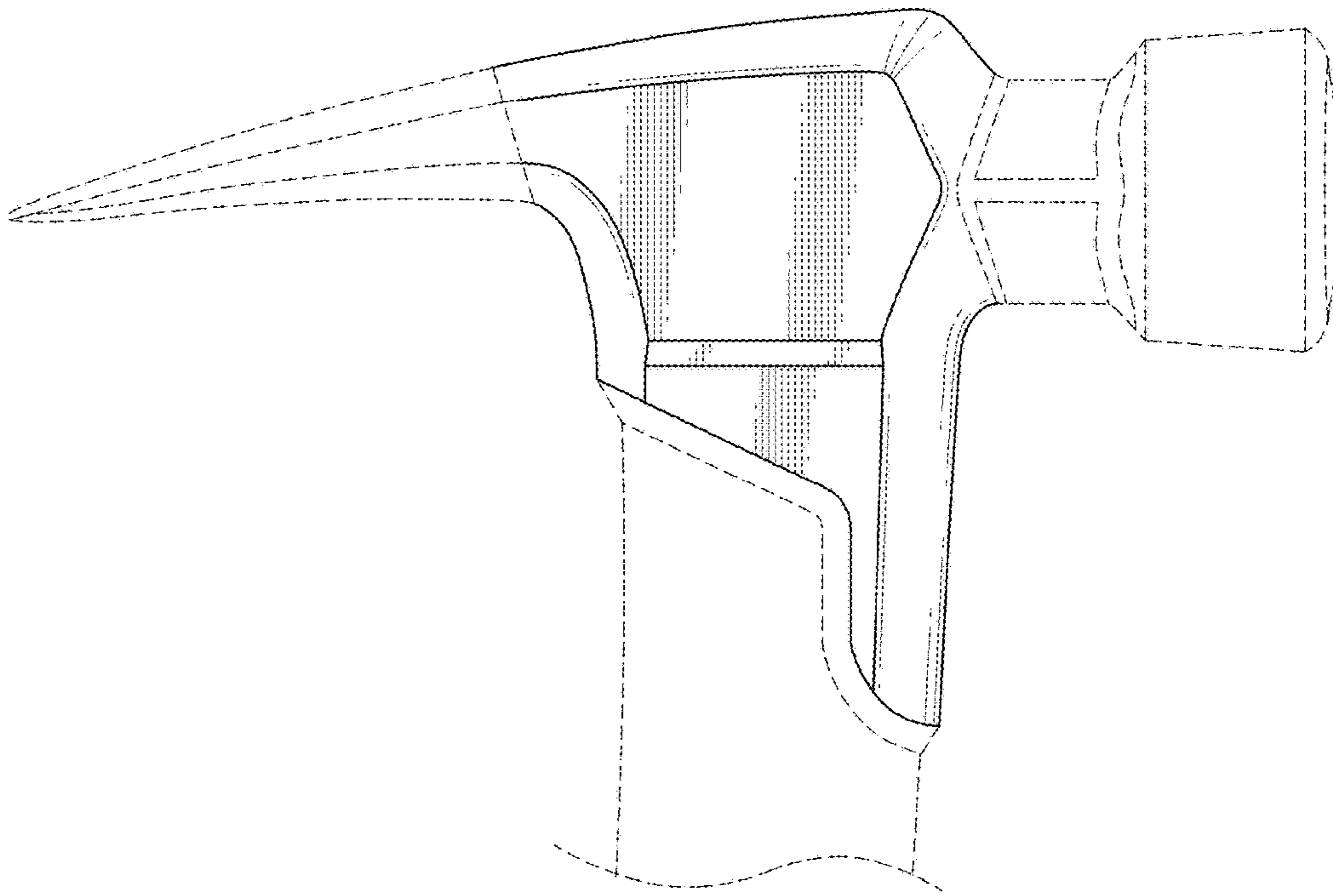


FIG. 4

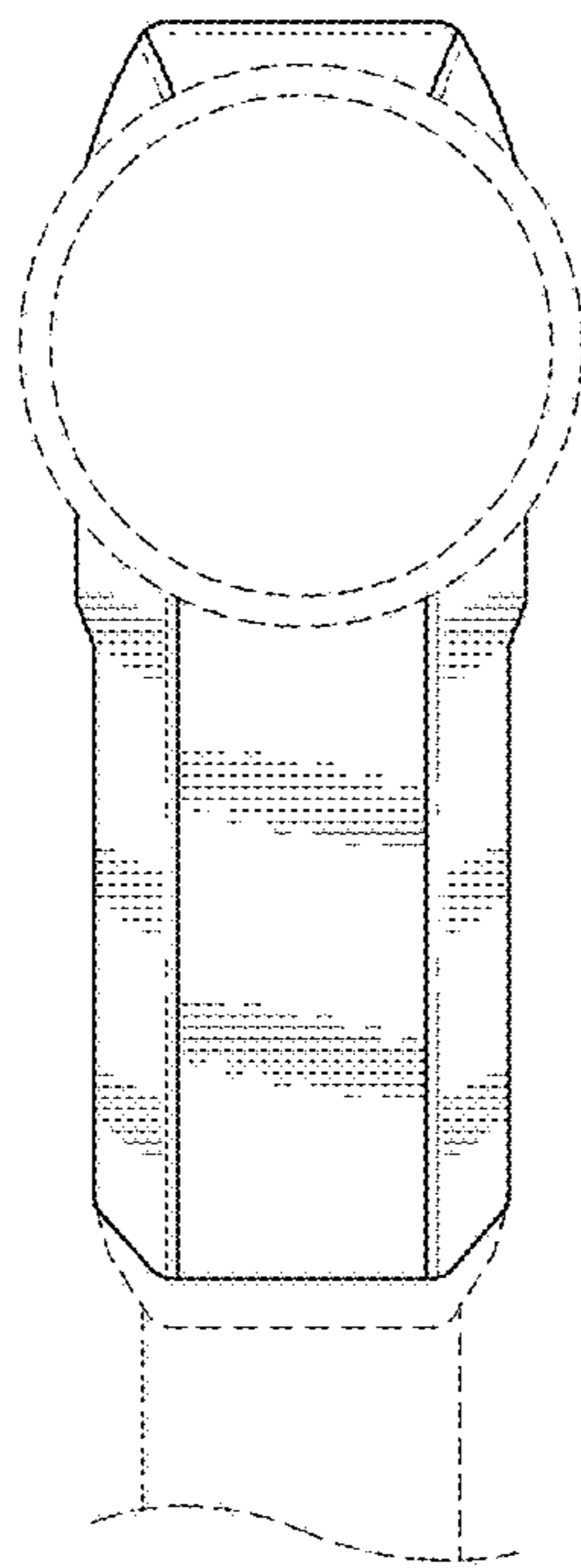


FIG. 5

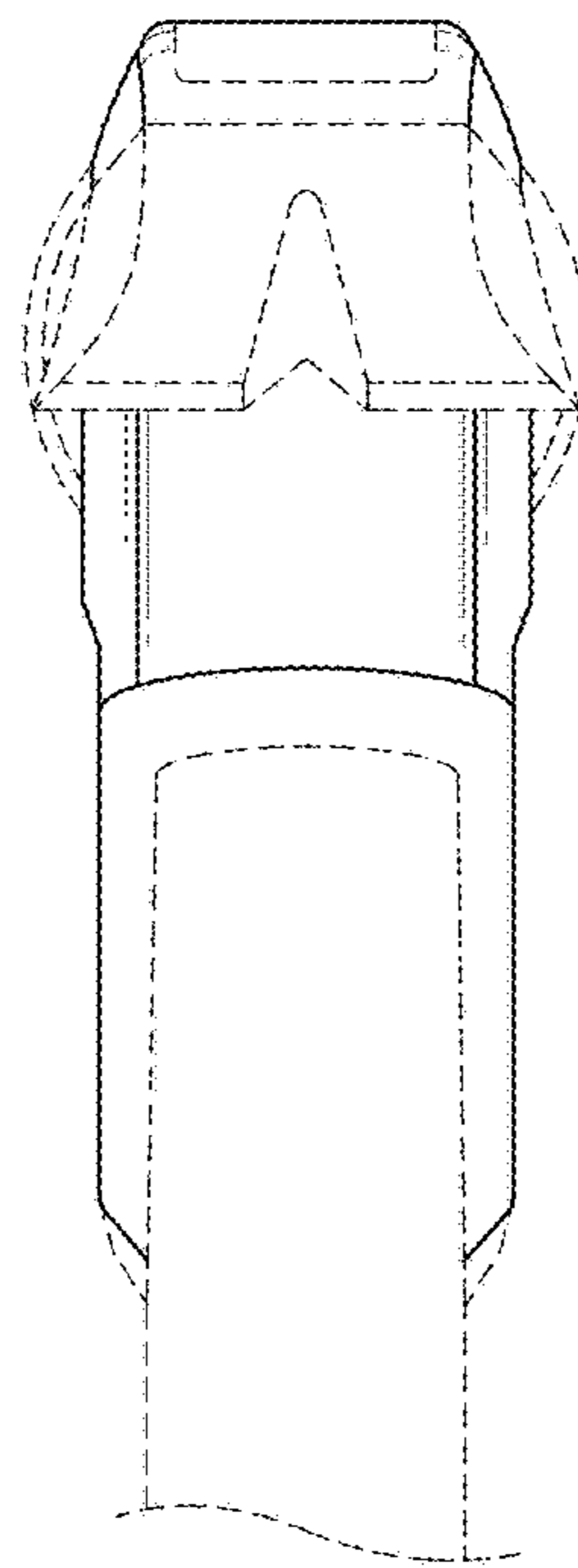


FIG. 6

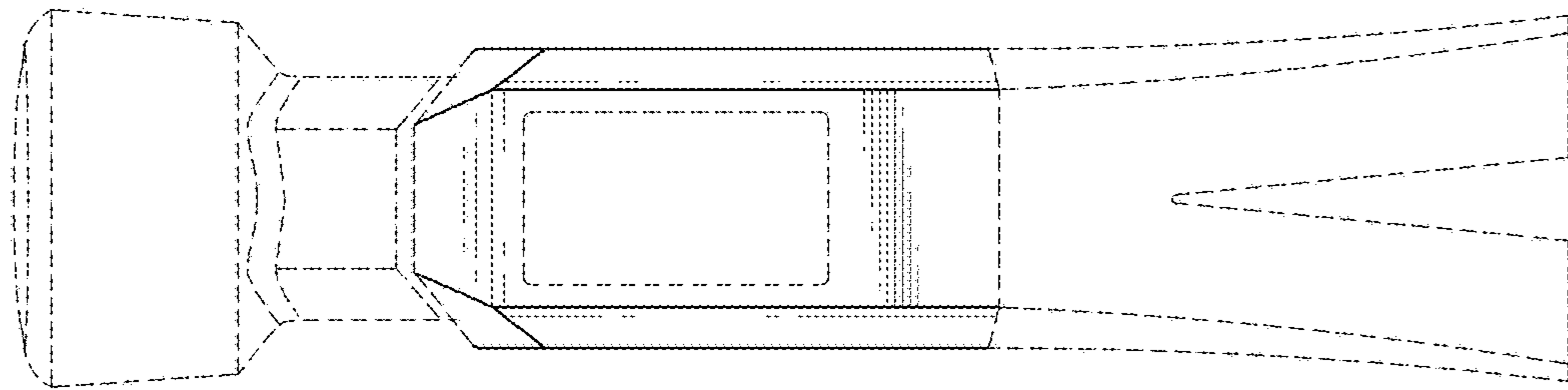


FIG. 7

