

US00D867090S

(12) **United States Design Patent** (10) **Patent No.:** **US D867,090 S**
Hyma et al. (45) **Date of Patent:** **** Nov. 19, 2019**

(54) **HAMMER** 7,874,231 B2 * 1/2011 Hanlon B25D 1/12
81/22
(71) Applicant: **Milwaukee Electric Tool Corporation,** D716,126 S * 10/2014 Dahlberg D8/75
Brookfield, WI (US) 9,193,059 B2 * 11/2015 Lombardi B25G 1/10
D747,943 S 1/2016 Hung
(72) Inventors: **Steven W. Hyma,** Milwaukee, WI D748,447 S 2/2016 Hung
(US); **Alexander J. Paulsen,** D770,254 S * 11/2016 Honadel D8/75
Milwaukee, WI (US) D770,255 S * 11/2016 Honadel D8/75
D770,875 S * 11/2016 Honadel D8/75
D777,549 S 1/2017 Hung
(73) Assignee: **Milwaukee Electric Tool Corporation,** D781,123 S 3/2017 Chen
Brookfield, WI (US) D781,124 S 3/2017 Chen
D789,760 S 6/2017 Hung
D826,024 S * 8/2018 Yu D8/75
(**) Term: **15 Years** 2014/0001426 A1 * 1/2014 Lombardi B25G 1/10
254/26 R
(21) Appl. No.: **29/669,531** 2014/0165787 A1 6/2014 Lombardi
(22) Filed: **Nov. 8, 2018**

FOREIGN PATENT DOCUMENTS

TW D181364 2/2017

* cited by examiner

Primary Examiner — Philip S Hyder

(74) *Attorney, Agent, or Firm* — Reinhart Boerner Van Deuren s.c.

(57) **CLAIM**

We claim the ornamental design for a hammer, as shown and described.

DESCRIPTION

FIG. 1 is a perspective view of a hammer embodying our new design.

FIG. 2 is a right side view of the hammer of FIG. 1.

FIG. 3 is a left side view of the hammer of FIG. 1.

FIG. 4 is a front view of the hammer of FIG. 1.

FIG. 5 is a rear view of the hammer of FIG. 1.

FIG. 6 is a top view of the hammer of FIG. 1; and,

FIG. 7 is a bottom view of the hammer of FIG. 1.

1 Claim, 5 Drawing Sheets

Related U.S. Application Data

(62) Division of application No. 29/584,967, filed on Nov. 18, 2016, now Pat. No. Des. 837,019.

(51) **LOC (12) Cl.** **08-02**

(52) **U.S. Cl.**
USPC **D8/75**

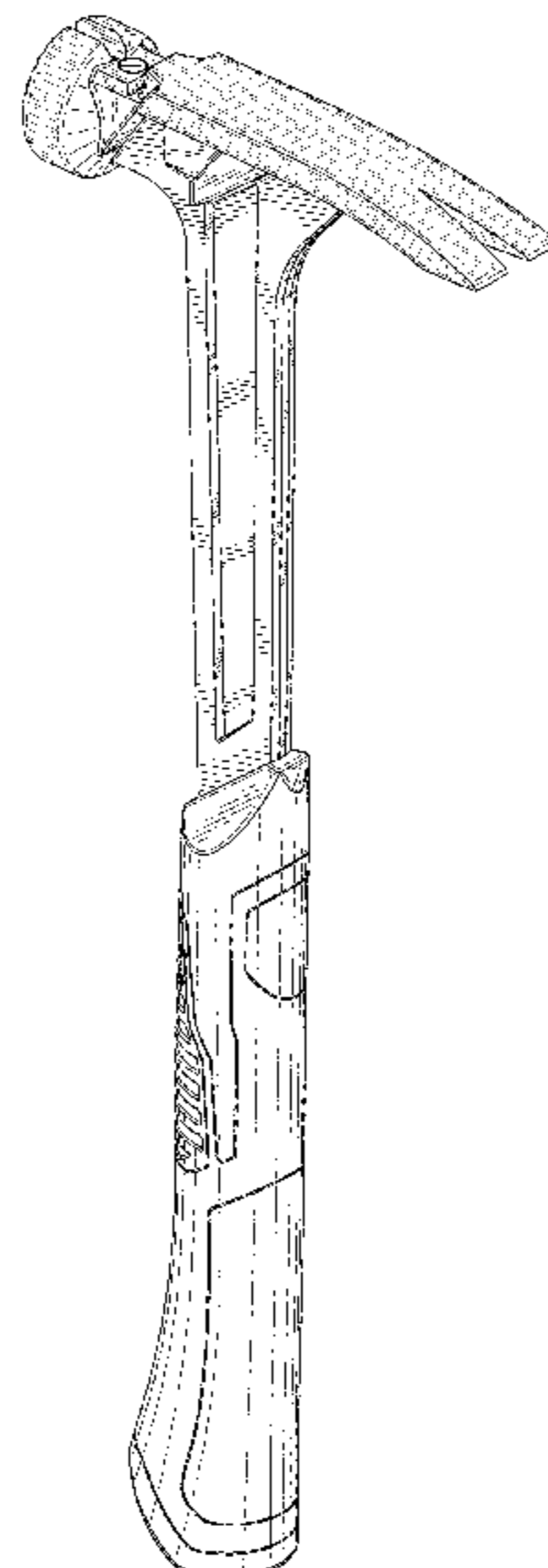
(58) **Field of Classification Search**
USPC D8/75, 76, 77, 78, 79, 80, 81, 105, 107
CPC ... B25D 1/00; B25D 1/02; B25D 1/04; B25D
1/045; B25D 1/06; B25D 1/10; B25D
1/12; B25G 1/102

See application file for complete search history.

(56) **References Cited**

U.S. PATENT DOCUMENTS

D452,126 S 12/2001 Hung
D470,380 S 2/2003 Huang
D474,667 S 5/2003 Hung
6,619,408 B1 9/2003 Lai
D549,064 S * 8/2007 Youngren D8/75



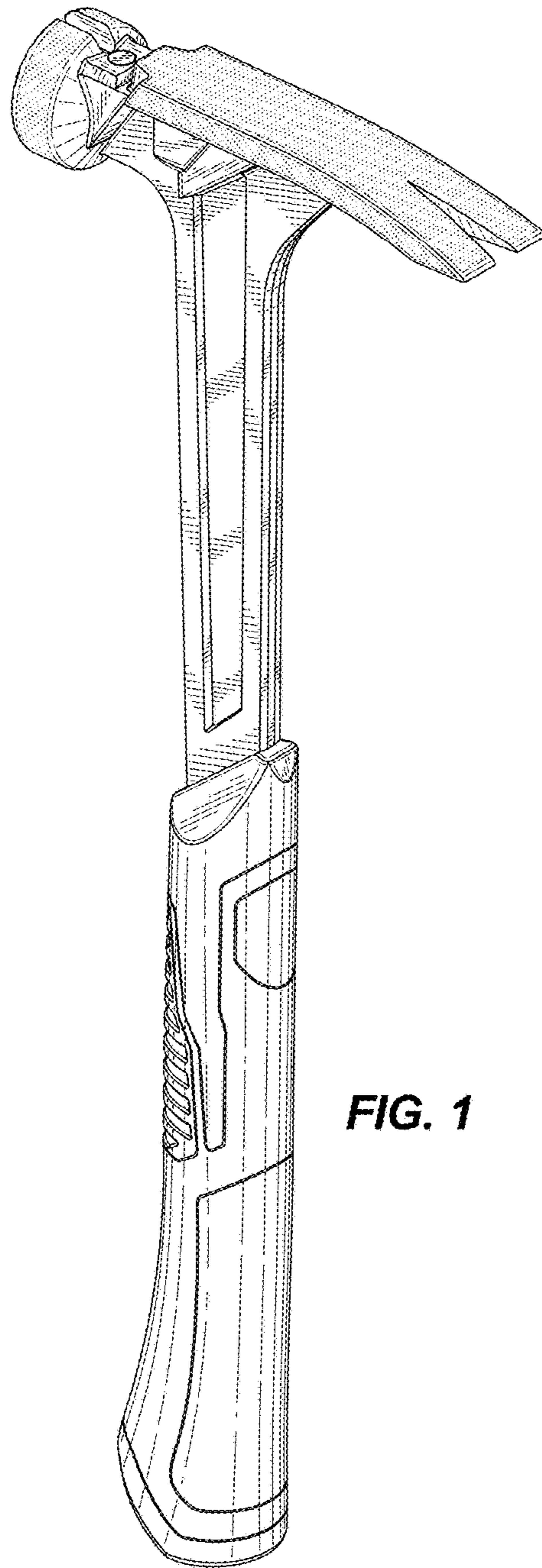


FIG. 1

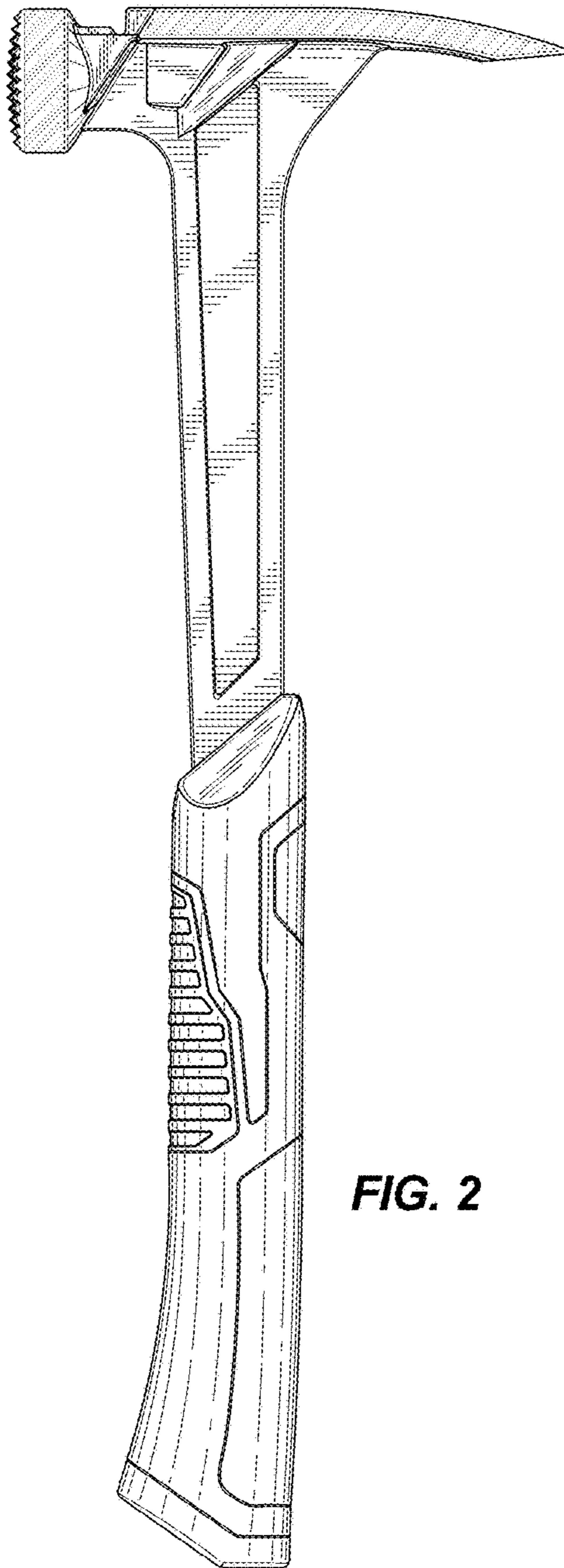


FIG. 2

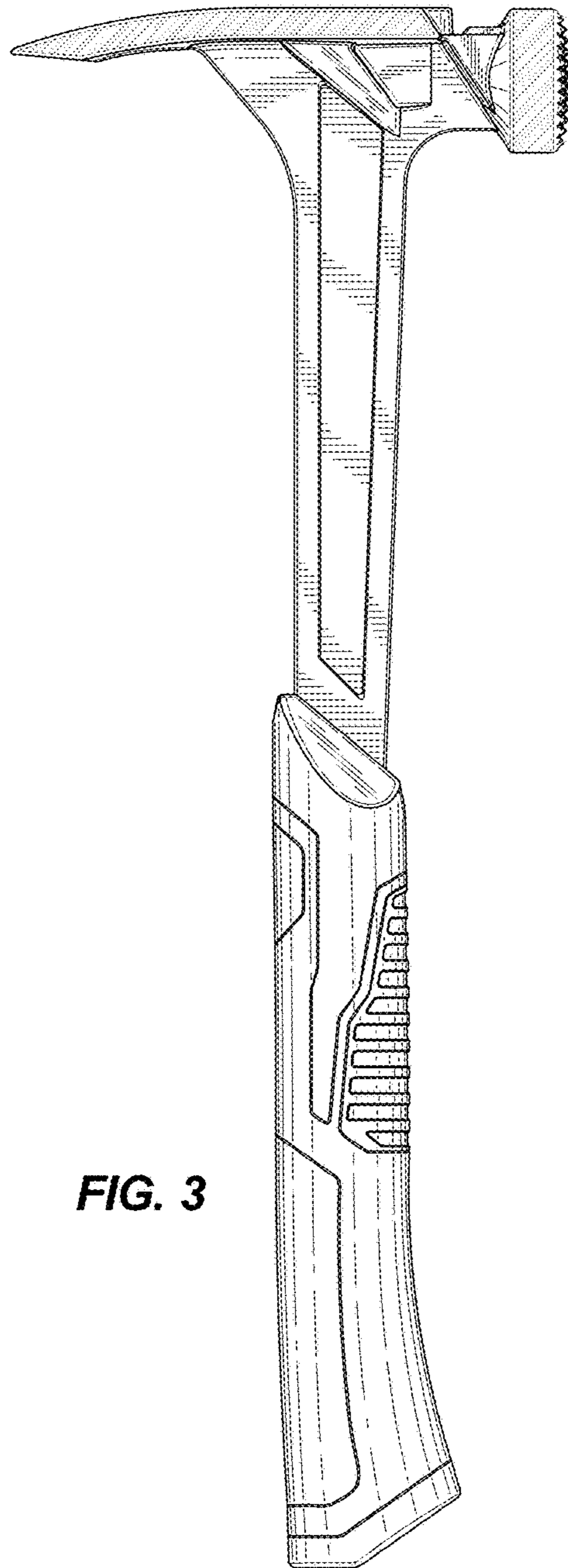


FIG. 3

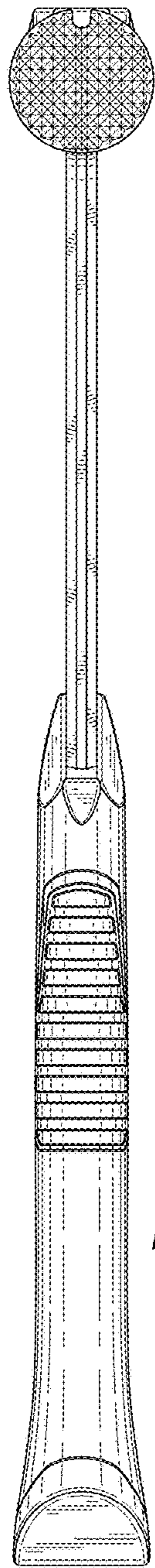


FIG. 4

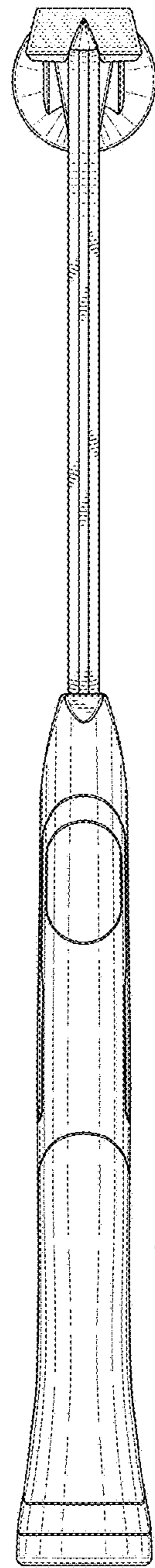


FIG. 5

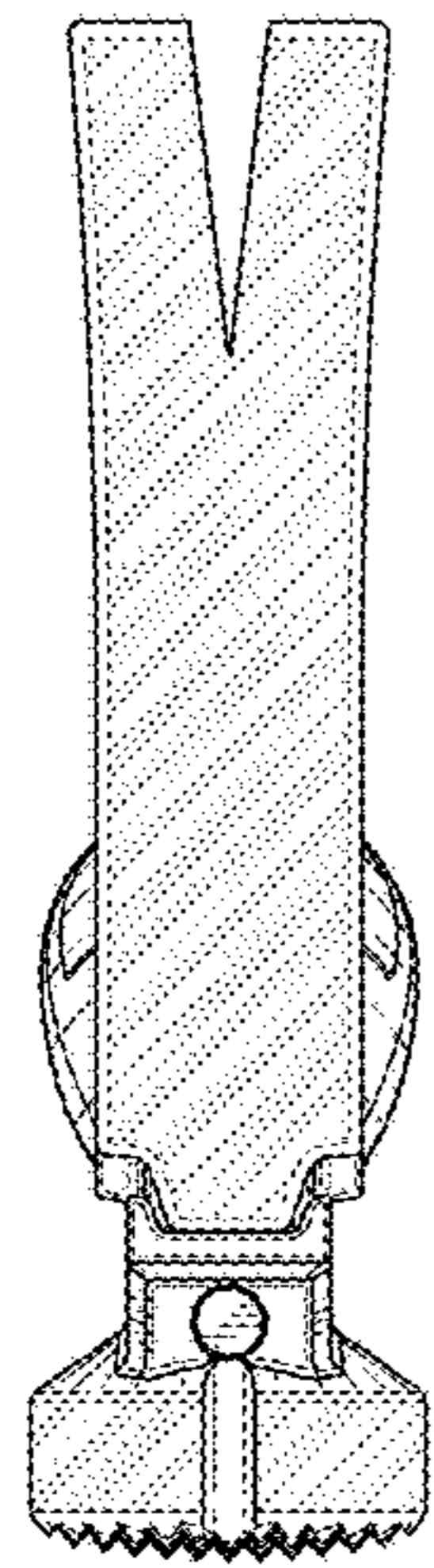


FIG. 6

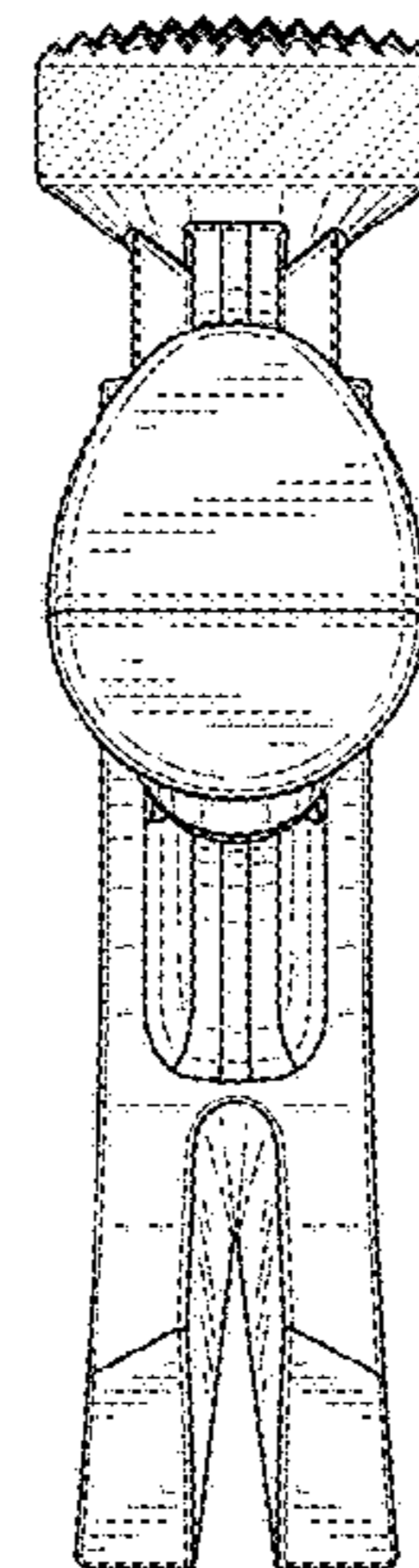


FIG. 7