



US00D867089S

(12) **United States Design Patent** (10) **Patent No.:** **US D867,089 S**
Hyma et al. (45) **Date of Patent:** **** Nov. 19, 2019**

- (54) **HAMMER**
- (71) Applicant: **Milwaukee Electric Tool Corporation**,
Brookfield, WI (US)
- (72) Inventors: **Steven W. Hyma**, Milwaukee, WI
(US); **Alexander J. Paulsen**,
Milwaukee, WI (US)
- (73) Assignee: **Milwaukee Electric Tool Corporation**,
Brookfield, WI (US)
- (**) Term: **15 Years**
- (21) Appl. No.: **29/669,529**
- (22) Filed: **Nov. 8, 2018**

D519,348 S *	4/2006	Chen	D8/75
D605,922 S *	12/2009	Reinius	D8/75
D716,126 S	10/2014	Dahlberg		
D742,712 S *	11/2015	Zhang	D8/75
D747,943 S	1/2016	Hung		
D748,447 S	2/2016	Hung		
D777,549 S	1/2017	Hung		
D781,123 S	3/2017	Chen		
D781,124 S	3/2017	Chen		
D789,760 S	6/2017	Hung		
2010/0199809 A1 *	8/2010	St. John	B25D 1/04 81/20
2014/0165787 A1 *	6/2014	Lombardi	B25G 1/02 81/22
2015/0107417 A1 *	4/2015	LaPorte	B25G 3/14 81/20

FOREIGN PATENT DOCUMENTS

TW D181364 2/2017

* cited by examiner

Primary Examiner — Philip S Hyder

(74) *Attorney, Agent, or Firm* — Reinhart Boerner Van
Deuren s.c.

Related U.S. Application Data

- (62) Division of application No. 29/584,971, filed on Nov.
18, 2016, now Pat. No. Des. 837,020.
- (51) **LOC (12) Cl.** **08-02**
- (52) **U.S. Cl.**
USPC **D8/75**
- (58) **Field of Classification Search**
USPC D8/75, 76, 77, 78, 79, 80, 81, 105, 107
CPC ... B25D 1/00; B25D 1/02; B25D 1/04; B25D
1/045; B25D 1/06; B25D 1/10; B25D
1/12; B25G 1/102
See application file for complete search history.

(57) **CLAIM**

We claim the ornamental design for a hammer, as shown and
described.

DESCRIPTION

FIG. 1 is a perspective view of a hammer embodying our
new design.

FIG. 2 is a right side view of the hammer of FIG. 1.

FIG. 3 is a left side view of the hammer of FIG. 1.

FIG. 4 is a front view of the hammer of FIG. 1.

FIG. 5 is a rear view of the hammer of FIG. 1.

FIG. 6 is a top view of the hammer of FIG. 1; and,

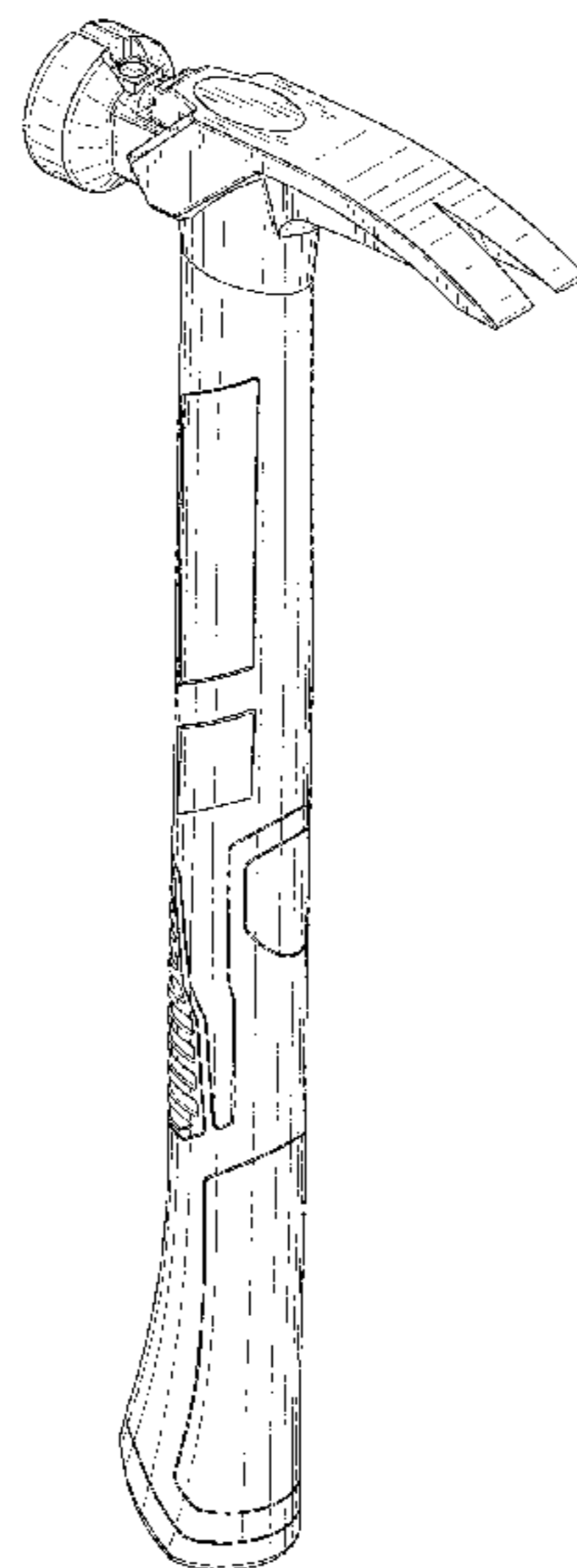
FIG. 7 is a bottom view of the hammer of FIG. 1.

(56) **References Cited**

U.S. PATENT DOCUMENTS

D436,821 S *	1/2001	Douglas	D8/75
D452,126 S	12/2001	Hung		
D470,380 S	2/2003	Huang		
D474,667 S	5/2003	Hung		
6,619,408 B1	9/2003	Lai		

1 Claim, 5 Drawing Sheets



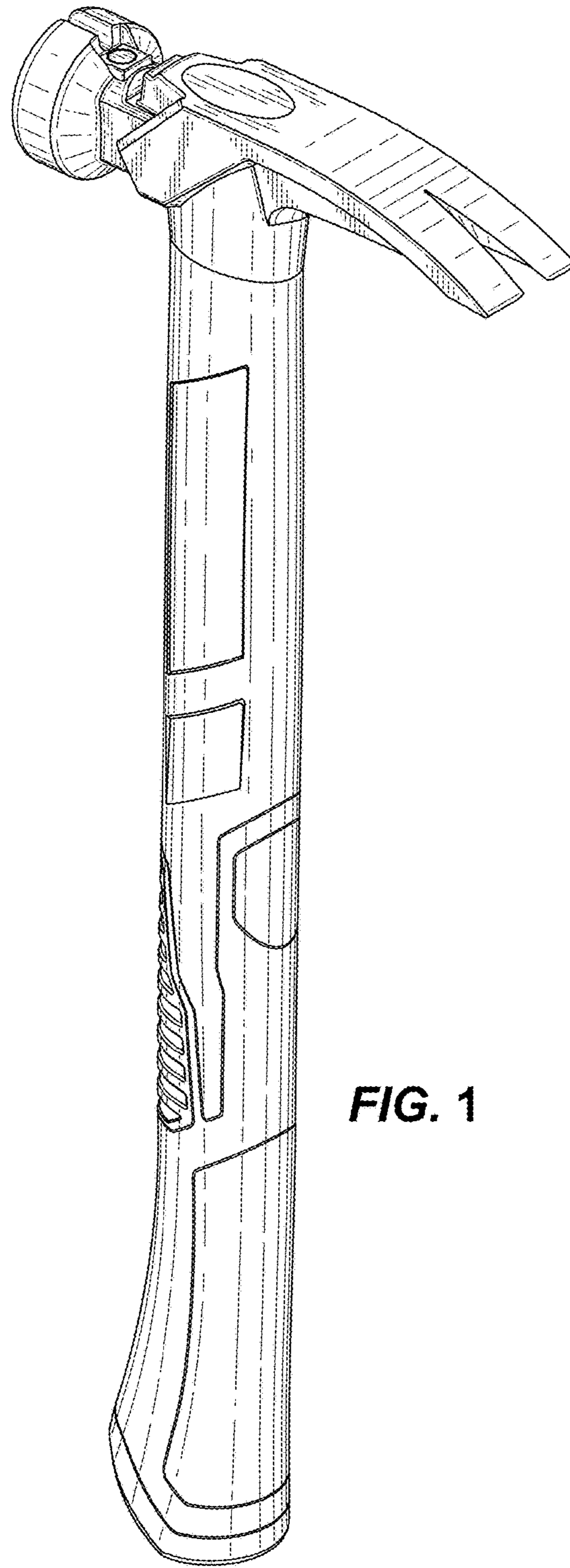


FIG. 1

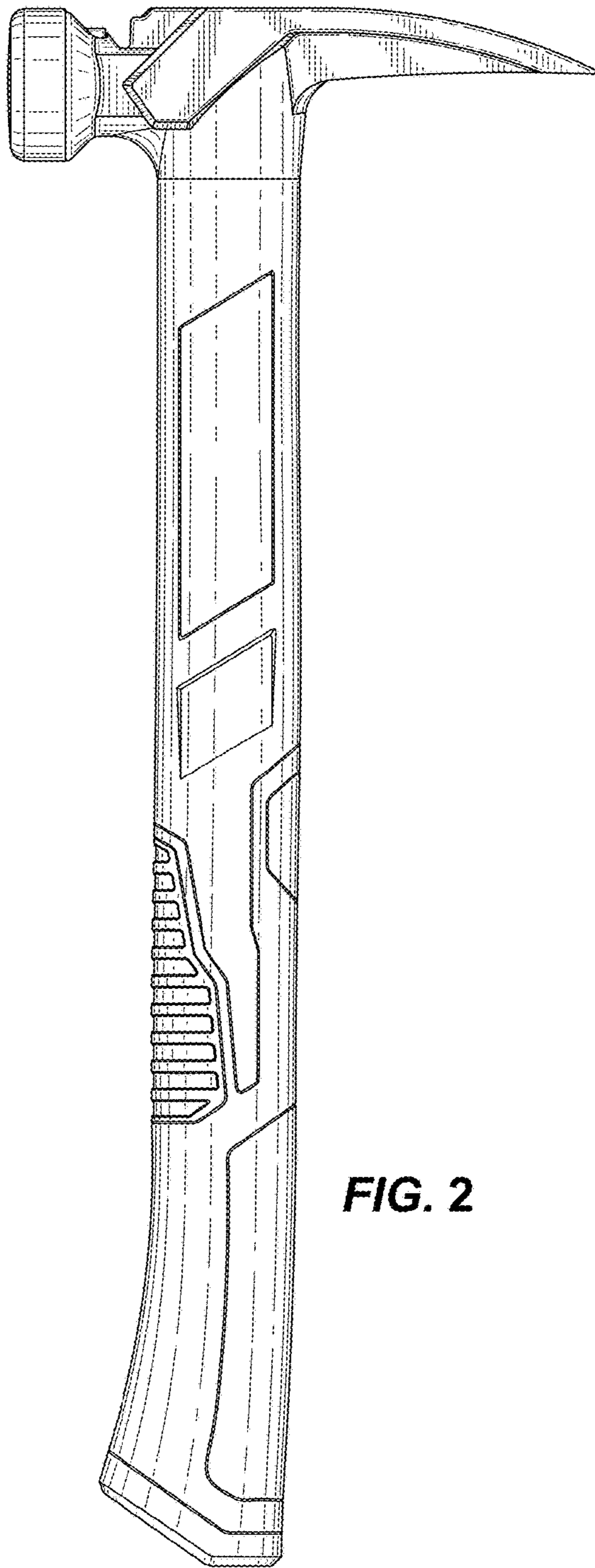


FIG. 2

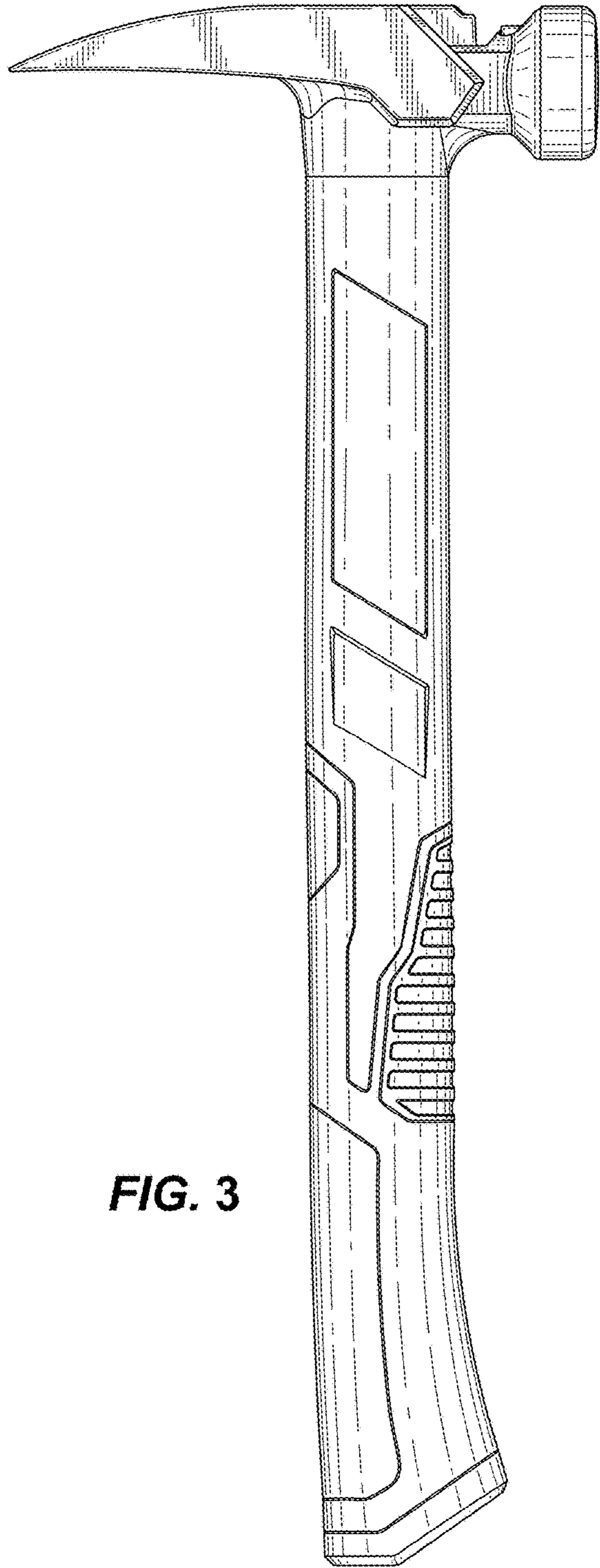


FIG. 3

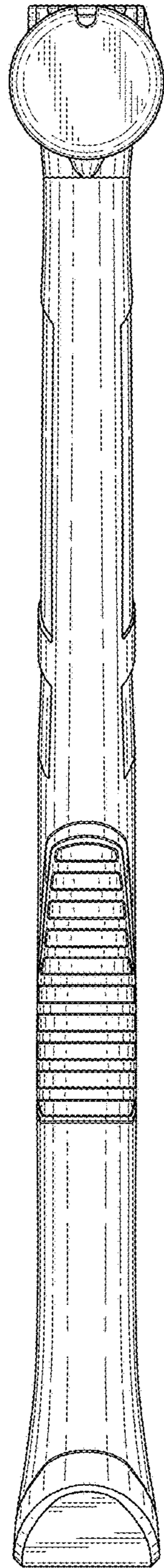


FIG. 4

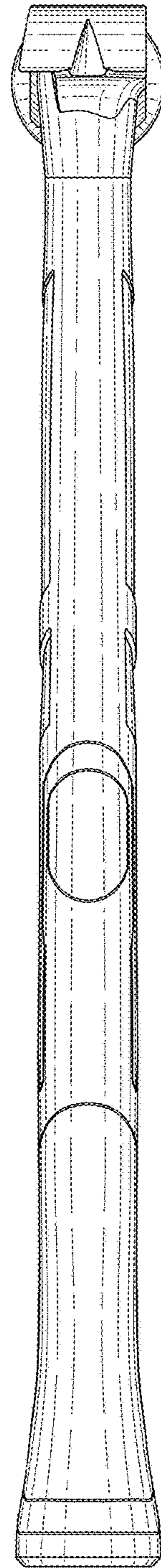


FIG. 5

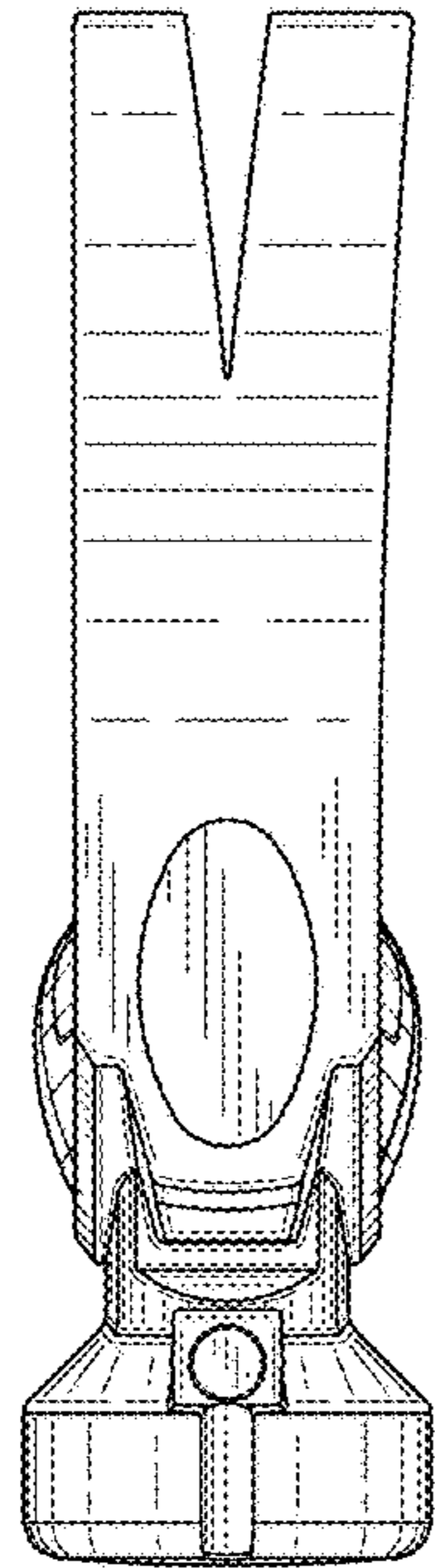


FIG. 6

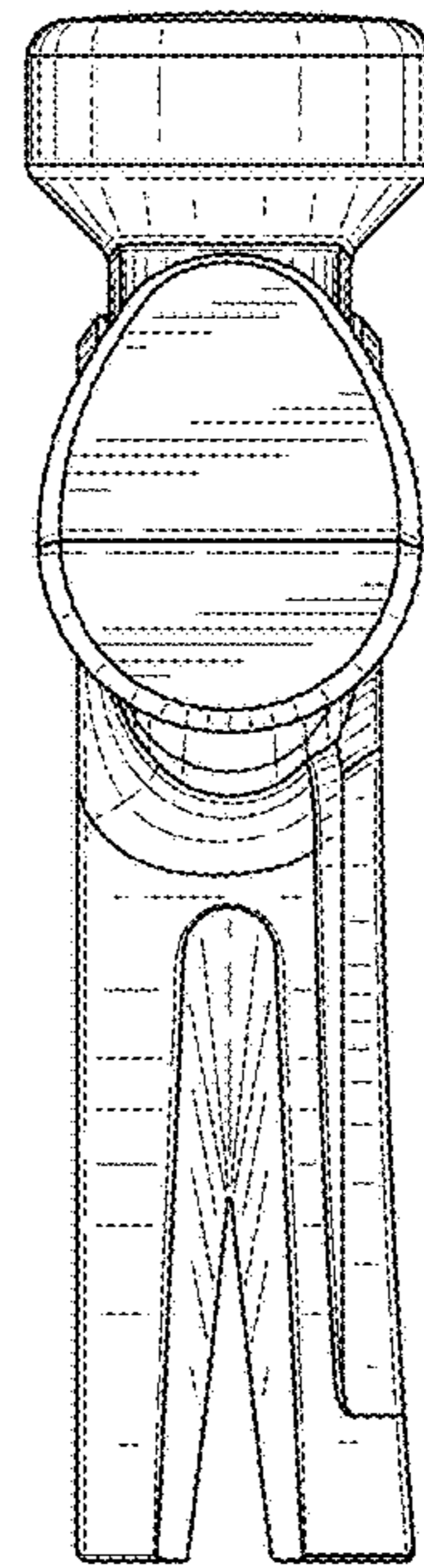


FIG. 7