



US00D867088S

(12) **United States Design Patent**
Erickson

(10) **Patent No.:** **US D867,088 S**

(45) **Date of Patent:** **** Nov. 19, 2019**

(54) **HARDWARE HOLDER**

(71) Applicant: **B. ERICKSON MANUFACTURING LTD.**, Thamesville (CA)

(72) Inventor: **Brent Erickson**, Thamesville (CA)

(73) Assignee: **B. Erickson Manufacturing Ltd.**,
Thamesville, Ontario (CA)

(**) Term: **15 Years**

(21) Appl. No.: **29/664,669**

(22) Filed: **Sep. 27, 2018**

(51) **LOC (12) Cl.** **08-05**

(52) **U.S. Cl.**
USPC **D8/71**

(58) **Field of Classification Search**
USPC ... D8/380, 381, 349, 354, 353, 367, 373, 71
CPC B60R 2011/005; B60R 2011/0064; B60R
11/00

See application file for complete search history.

(56) **References Cited**

U.S. PATENT DOCUMENTS

- D288,763 S * 3/1987 Berfield D6/553
- D321,635 S * 11/1991 Kerrigan D8/71
- 5,593,076 A * 1/1997 Biondo B60R 9/06
224/485
- D448,717 S * 10/2001 Hanson D12/162

- D607,374 S * 1/2010 Durkin D11/182
- 7,967,274 B1 * 6/2011 Stallings, Jr. A45B 11/00
248/206.3
- D667,351 S * 9/2012 Townsend D12/162
- 8,794,493 B2 * 8/2014 Cauley B60R 9/10
224/403
- D796,416 S * 9/2017 Spafford D12/400
- 9,775,260 B1 * 9/2017 Warlick H05K 7/1489

* cited by examiner

Primary Examiner — Keli L Hill

Assistant Examiner — Harold E Blackwell, II

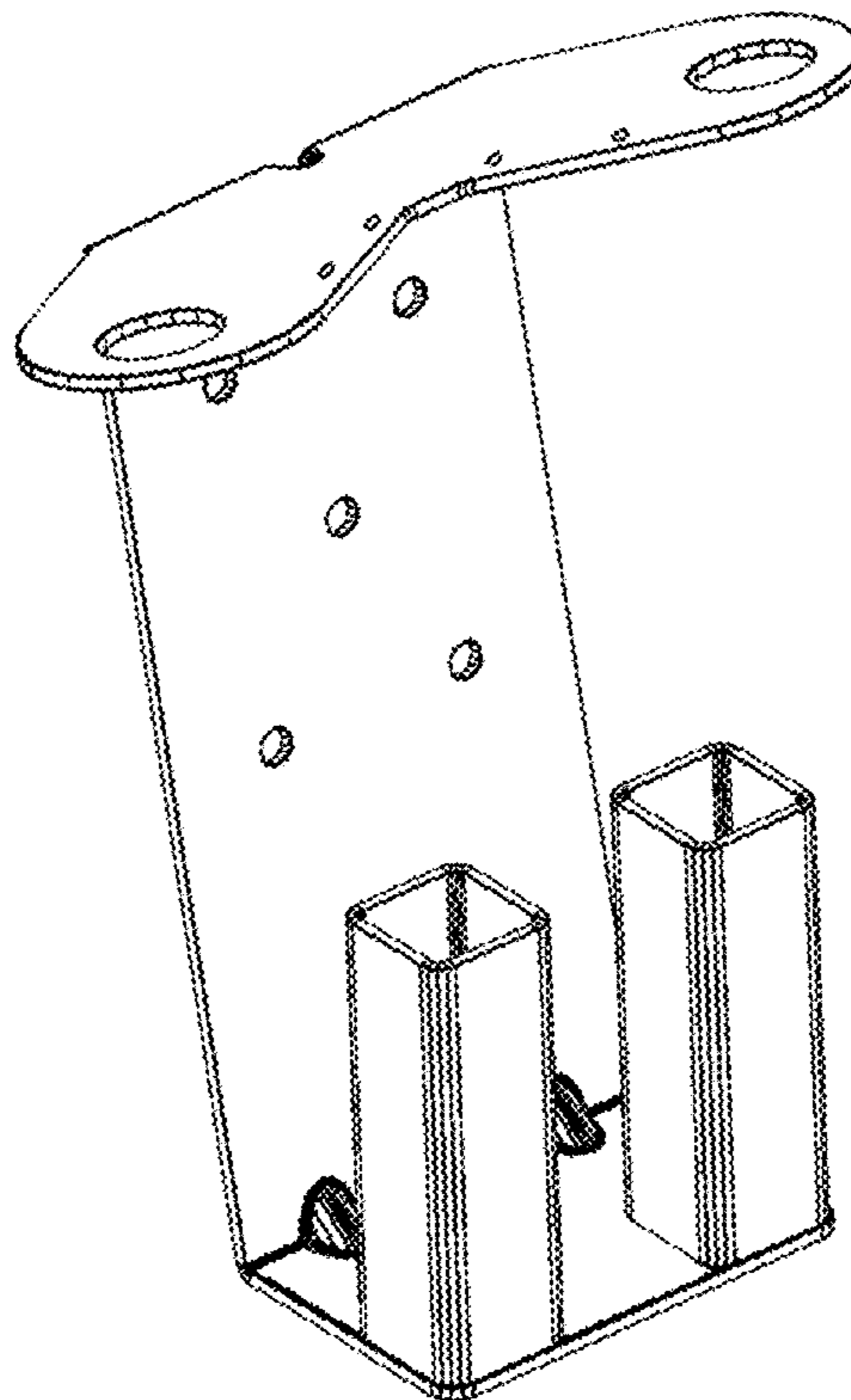
(57) **CLAIM**

The ornamental design for a hardware holder, as shown and described.

DESCRIPTION

FIG. 1 is a perspective view of a hardware holder, according to the present invention;
 FIG. 2 is another perspective view thereof;
 FIG. 3 is a front view thereof;
 FIG. 4 is a rear view thereof;
 FIG. 5 is a side view thereof, and the other side view is a mirror image of the view illustrated in FIG. 5;
 FIG. 6 is a top view thereof; and,
 FIG. 7 is a bottom view thereof.

1 Claim, 6 Drawing Sheets



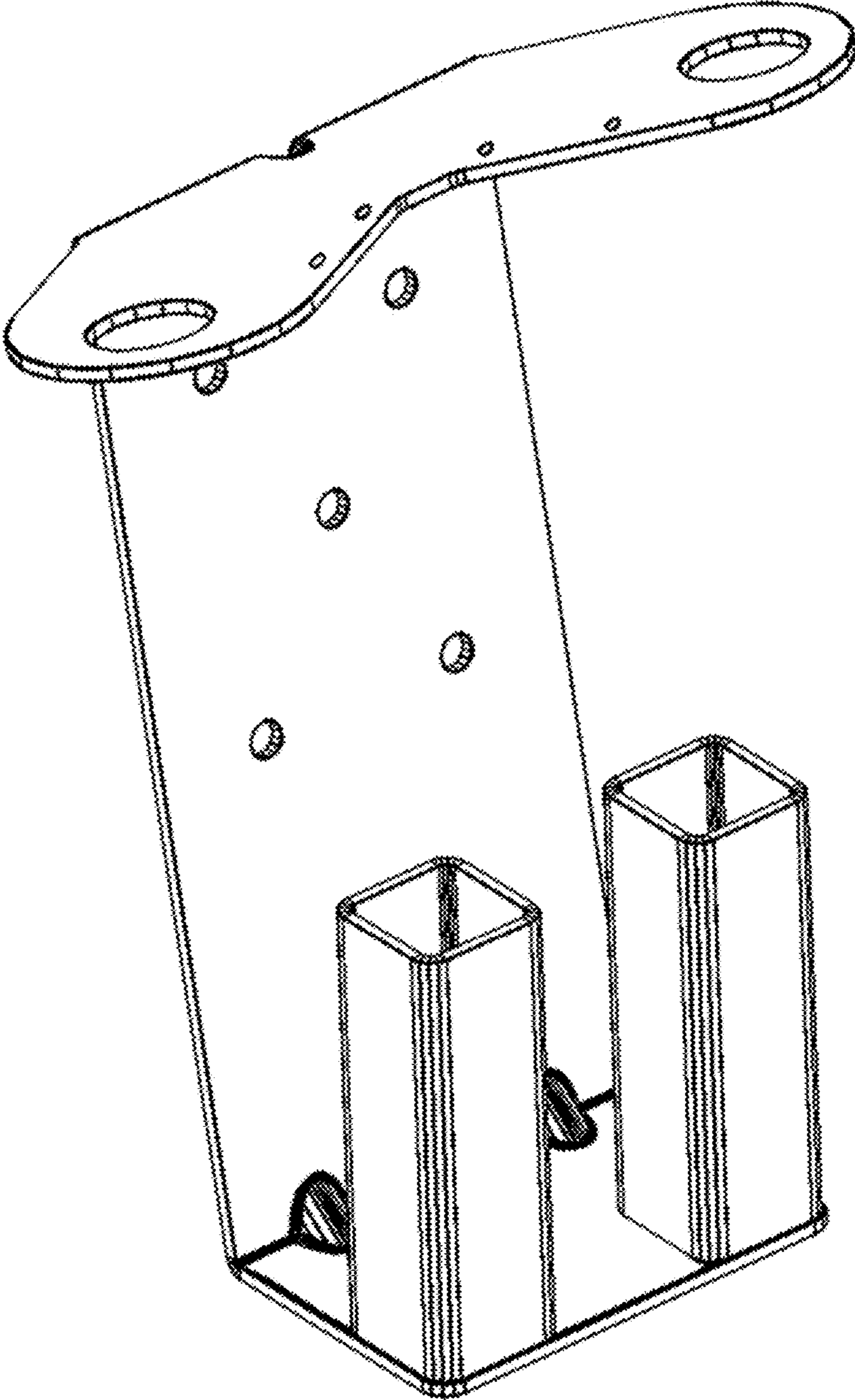


FIG. 1

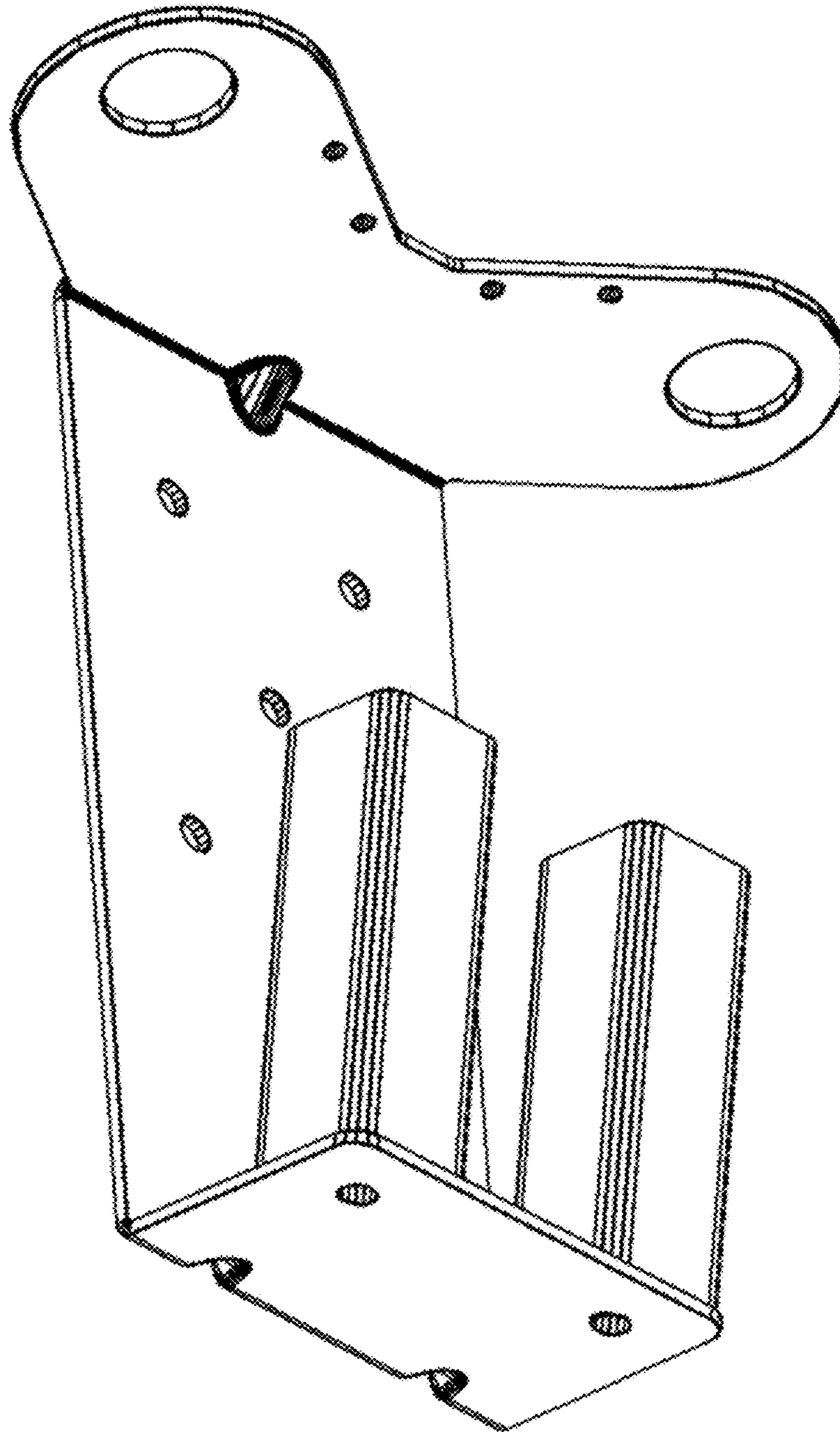


FIG. 2

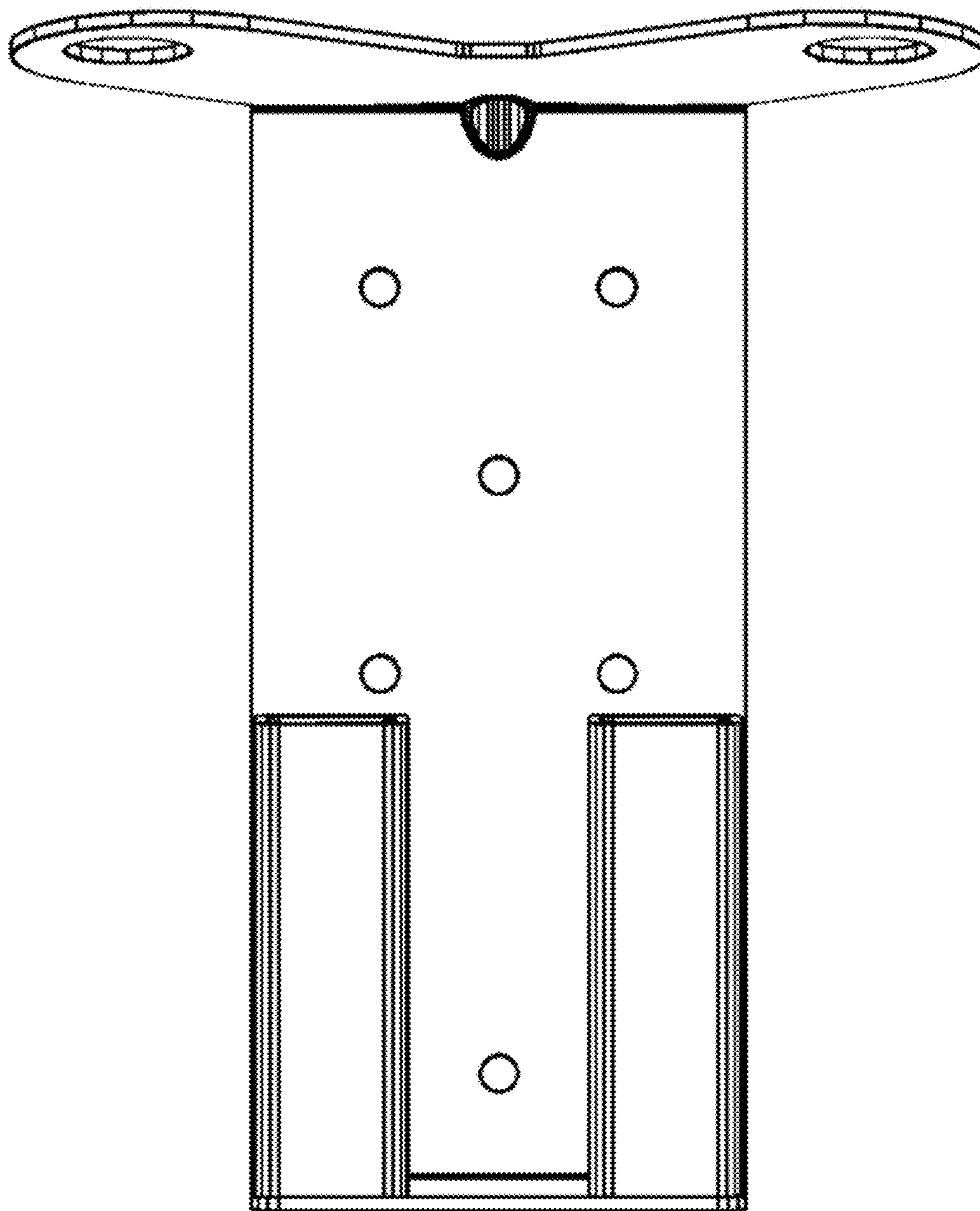


FIG. 3

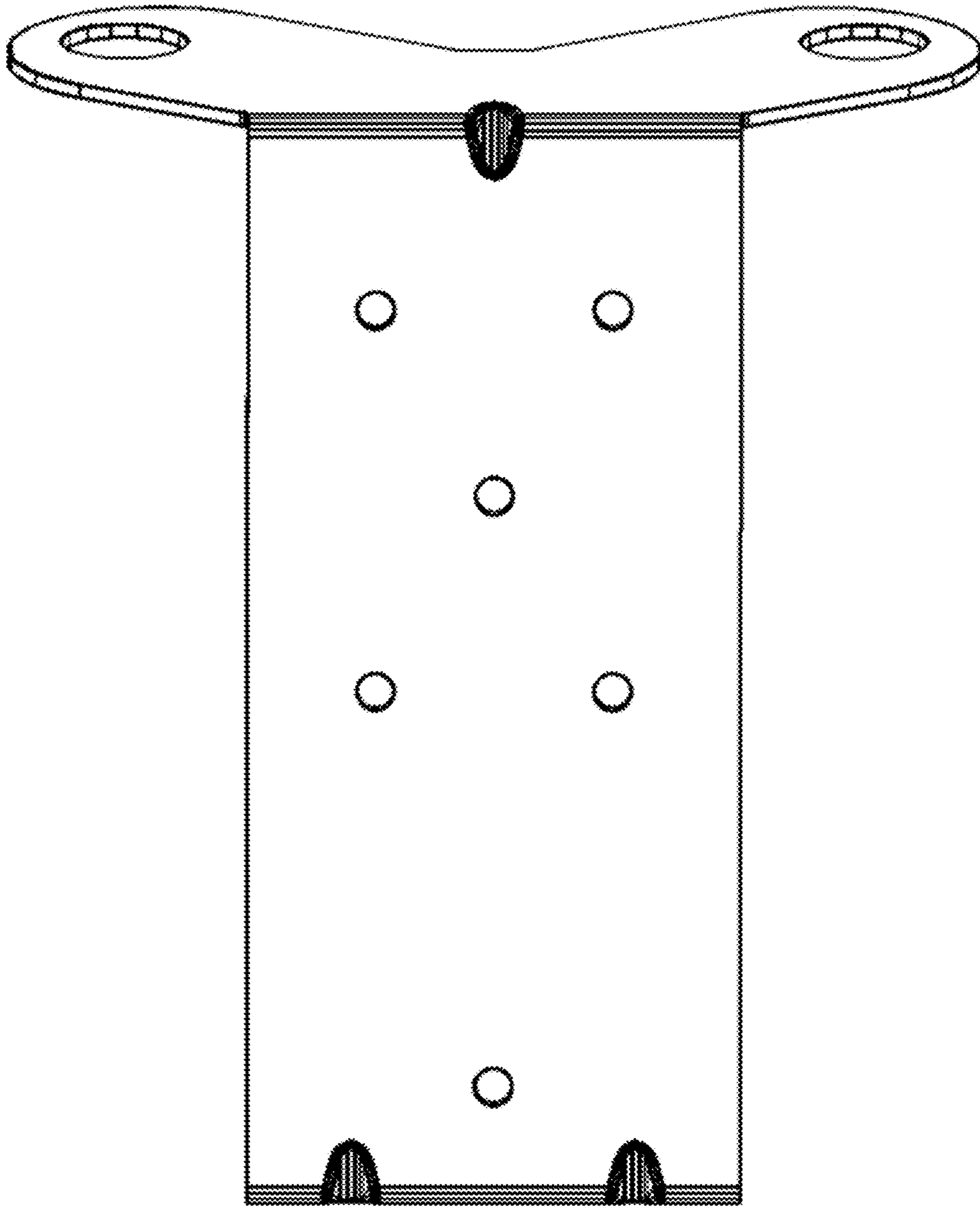


FIG. 4

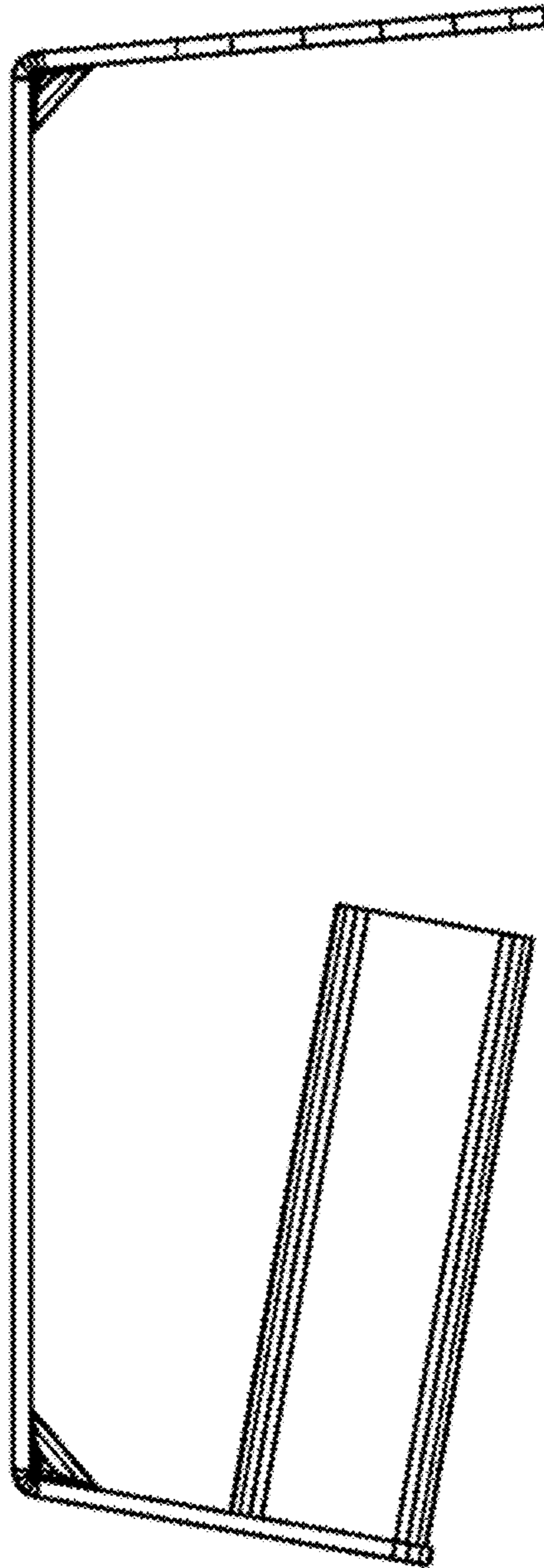


FIG. 5

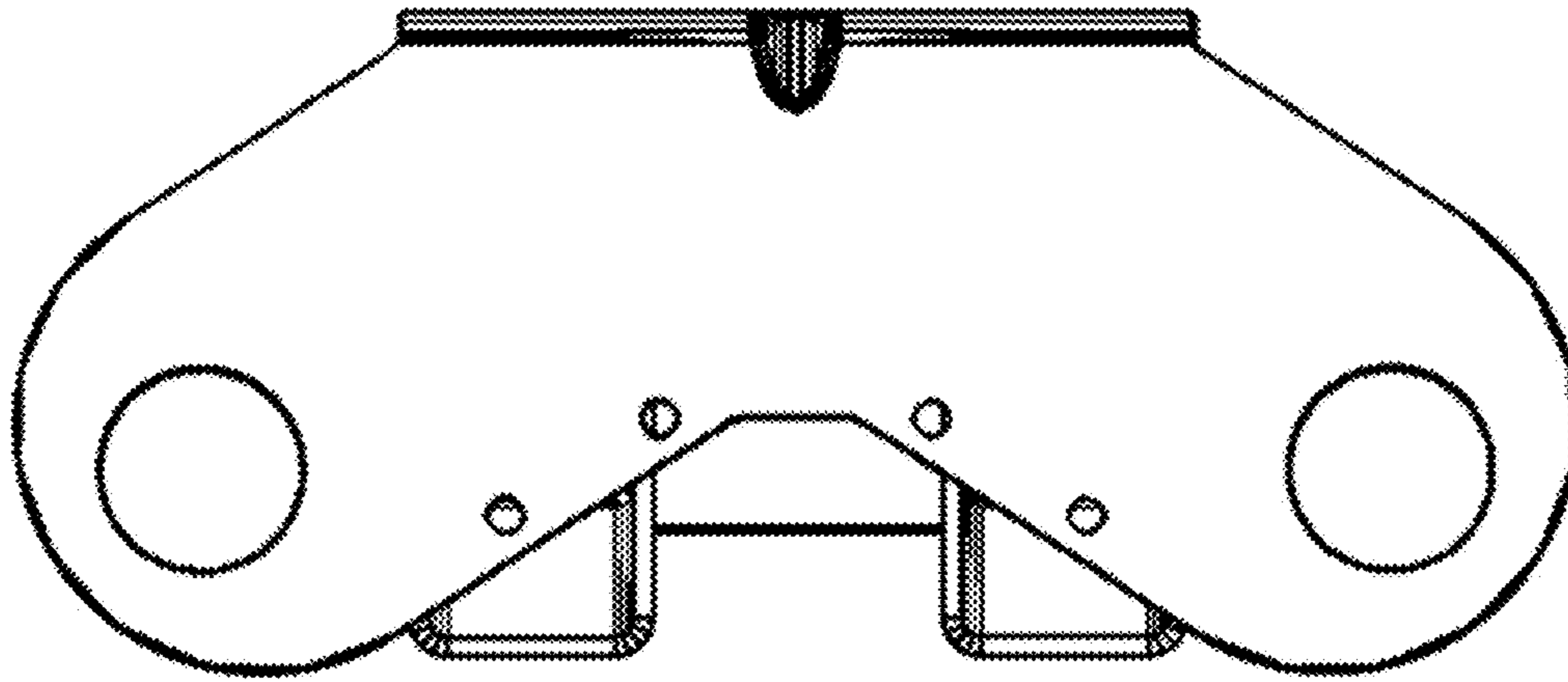


FIG. 6

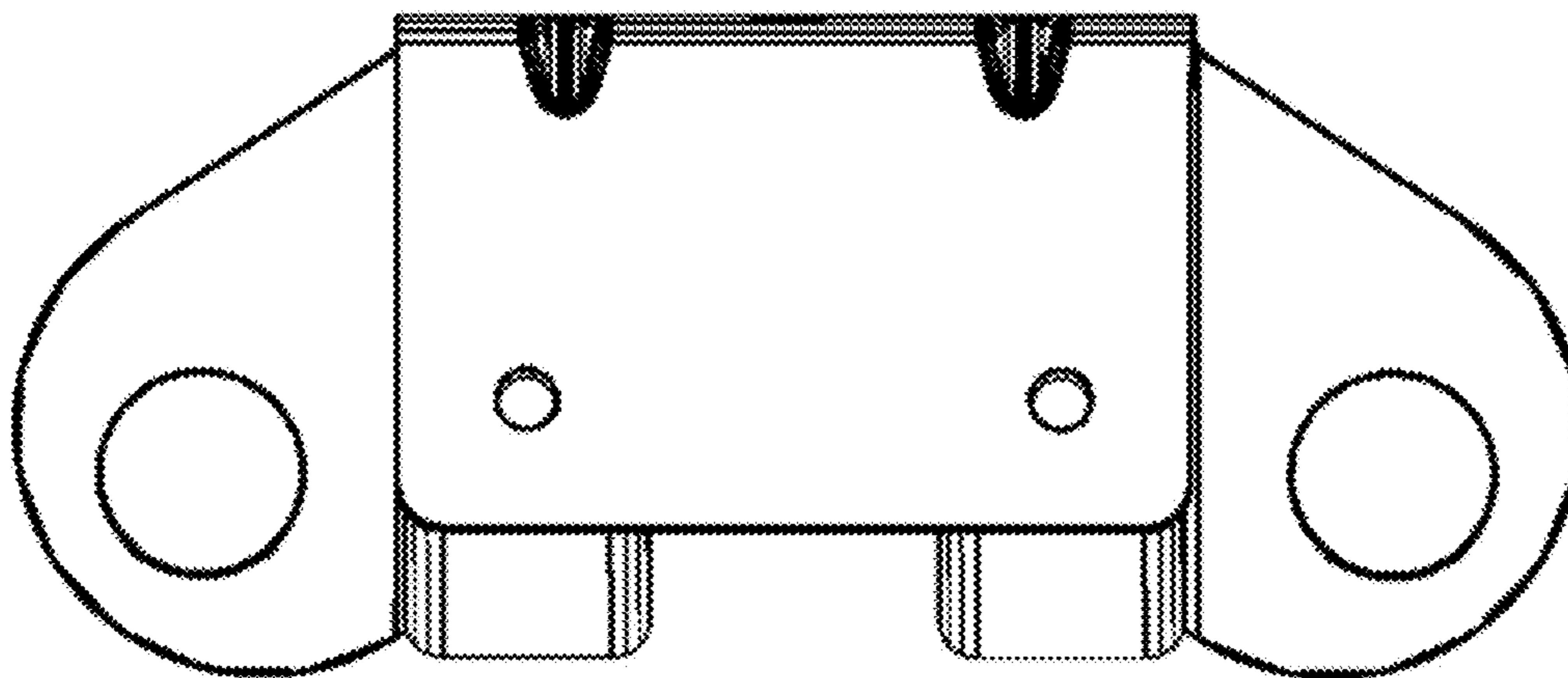


FIG. 7