



US00D867085S

(12) **United States Design Patent**  
**Widmann**

(10) **Patent No.:** **US D867,085 S**

(45) **Date of Patent:** **\*\* \*Nov. 19, 2019**

- (54) **BOTTLE OPENER**
- (71) Applicant: **Bruno Widmann**, DeKalb, IL (US)
- (72) Inventor: **Bruno Widmann**, DeKalb, IL (US)
- (\*) Notice: This patent is subject to a terminal disclaimer.
- (\*\*) Term: **15 Years**
- (21) Appl. No.: **29/655,201**
- (22) Filed: **Jun. 30, 2018**
- (51) **LOC (12) Cl.** ..... **07-99**
- (52) **U.S. Cl.**  
USPC ..... **D8/34**
- (58) **Field of Classification Search**  
USPC ..... D8/18, 33-43  
CPC ..... B67B 7/00; B67B 7/0441; B67B 7/12;  
B67B 7/14; B67B 7/16; B67B 7/18;  
B67B 7/24; B67B 7/30; B67B 7/34;  
B67B 7/40; B67B 7/406; B67B 7/44  
See application file for complete search history.

3,542,231	A *	11/1970	Wettermann	.....	B65D 41/185 215/226
3,600,982	A *	8/1971	Tholen	.....	B67B 7/18 81/3.4
D249,116	S *	8/1978	Vanderbloemen	.....	D8/18
D254,475	S *	3/1980	Stover	.....	D8/18
D273,555	S *	4/1984	Tanner	.....	D8/37
4,474,087	A *	10/1984	Widman	.....	B67B 7/18 81/3.09
D277,725	S *	2/1985	Silkebakken	.....	D8/40
4,549,451	A *	10/1985	Widman	.....	
D288,895	S *	3/1987	Sarnoff	.....	D8/18
D296,978	S *	8/1988	Smith	.....	D8/34
D436,008	S *	1/2001	Klein	.....	D27/161
D447,923	S *	9/2001	Taylor	.....	D8/40
D473,437	S *	4/2003	Klein	.....	D8/34
8,720,714	B2 *	5/2014	Romero	.....	B67B 7/403 215/228

\* cited by examiner

*Primary Examiner* — Elizabeth A. Albert  
(74) *Attorney, Agent, or Firm* — Incubate IP; Randy R. Micheletti

(57) **CLAIM**

The ornamental design for a bottle opener, substantially as shown and described.

**DESCRIPTION**

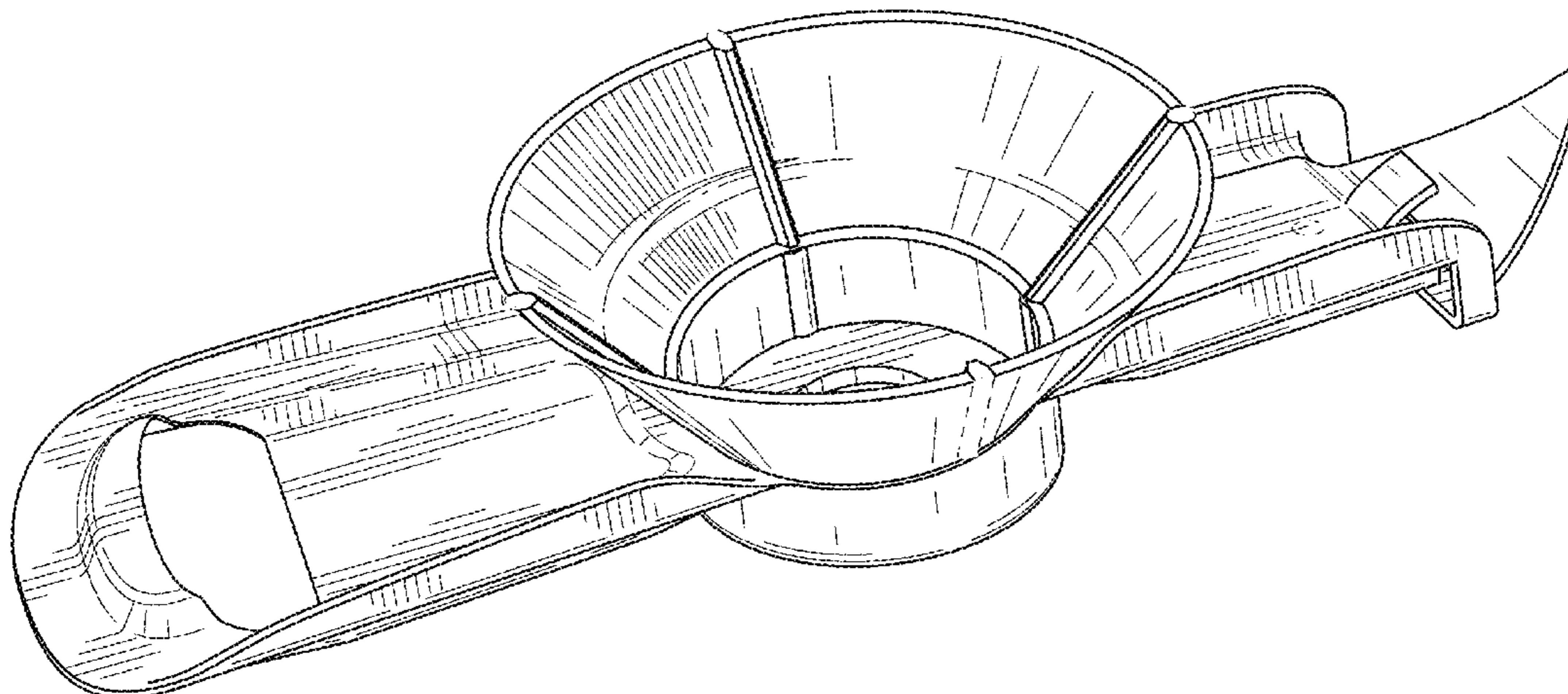
FIG. 1 is a bottom perspective view of a bottle opener according to the present disclosure. FIG. 2 is a left side view of the bottle opener of FIG. 1. FIG. 3 is a right side view of the bottle opener of FIG. 1. FIG. 4 is a front view of the bottle opener of FIG. 1. FIG. 5 is rear view of the bottle opener of FIG. 1. FIG. 6 is a top view the bottle opener of FIG. 1; and, FIG. 7 is a bottom view of the bottle opener of FIG. 1. The features shown in broken lines in the various Figures are for illustrating environmental structure and form no part of the claimed design.

**1 Claim, 6 Drawing Sheets**

(56) **References Cited**

U.S. PATENT DOCUMENTS

758,235	A *	4/1904	Cady	.....	B65D 51/243 215/226
959,220	A *	5/1910	Hoefl	.....	B65D 51/243 215/226
2,041,391	A *	5/1936	Bauch	.....	B65D 51/243 215/226
2,077,675	A *	4/1937	Cross	.....	B67B 7/24 30/1
2,104,978	A *	1/1938	Evans	.....	B67B 7/24 220/282
2,430,651	A *	11/1947	Shanahan	.....	B67B 3/02 53/363
2,455,496	A *	12/1948	Kaskouras	.....	B67B 7/44 30/413
3,185,332	A *	5/1965	Greenstein	.....	B65D 51/243 215/226



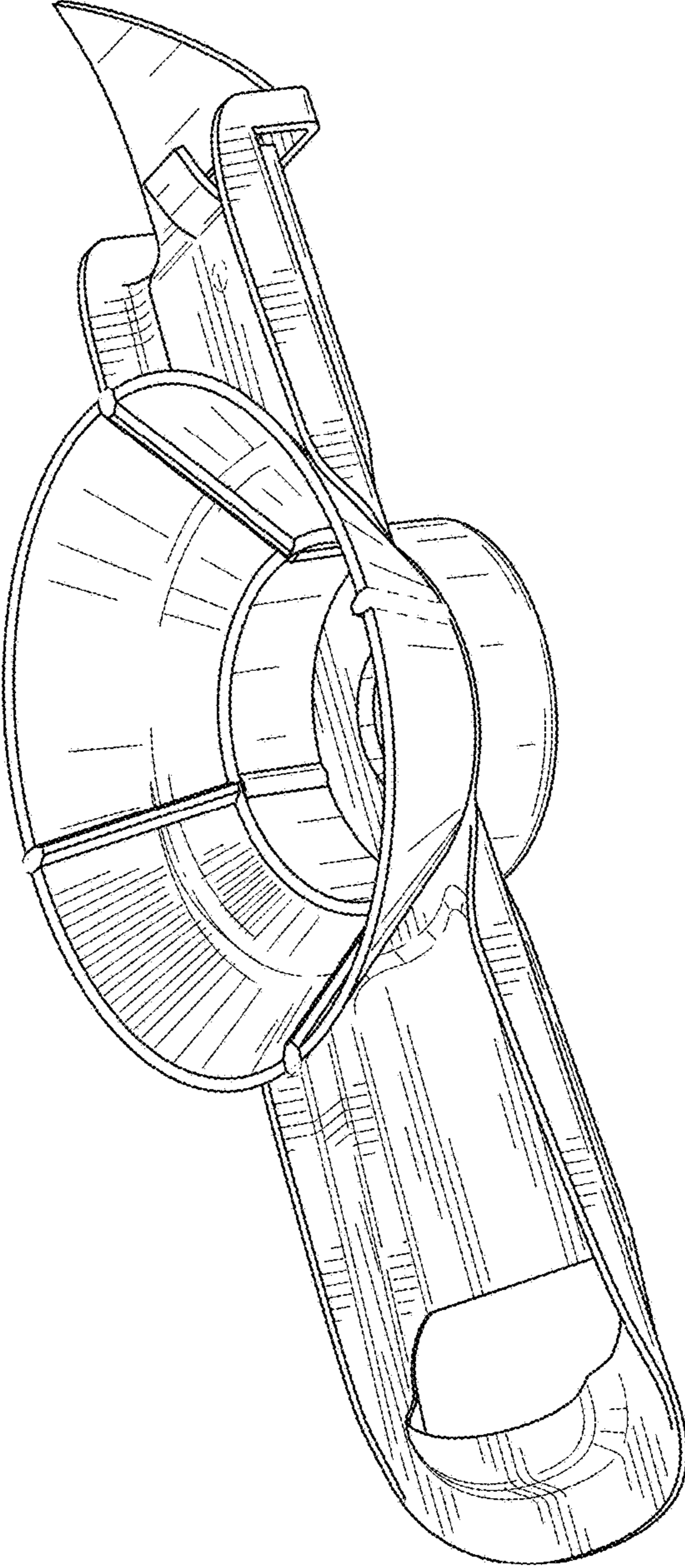


FIG. 1

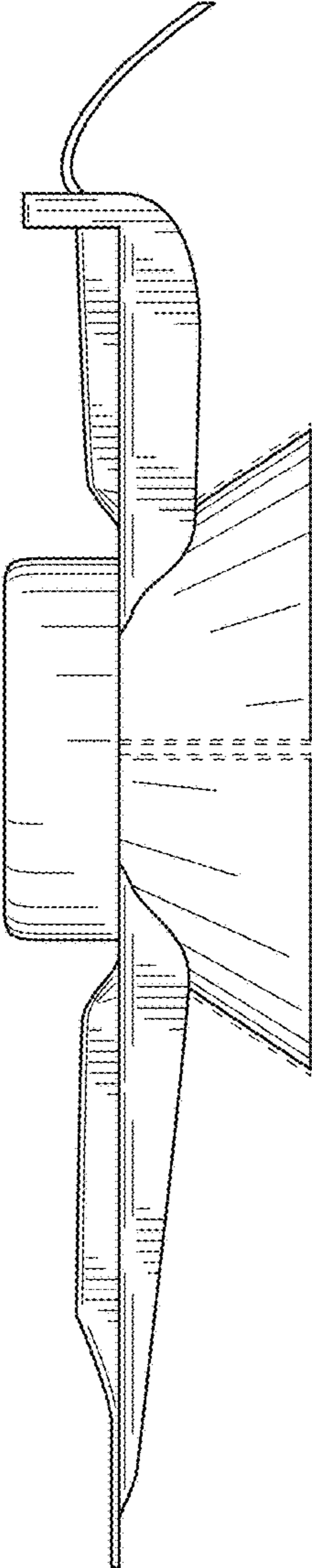


FIG. 2

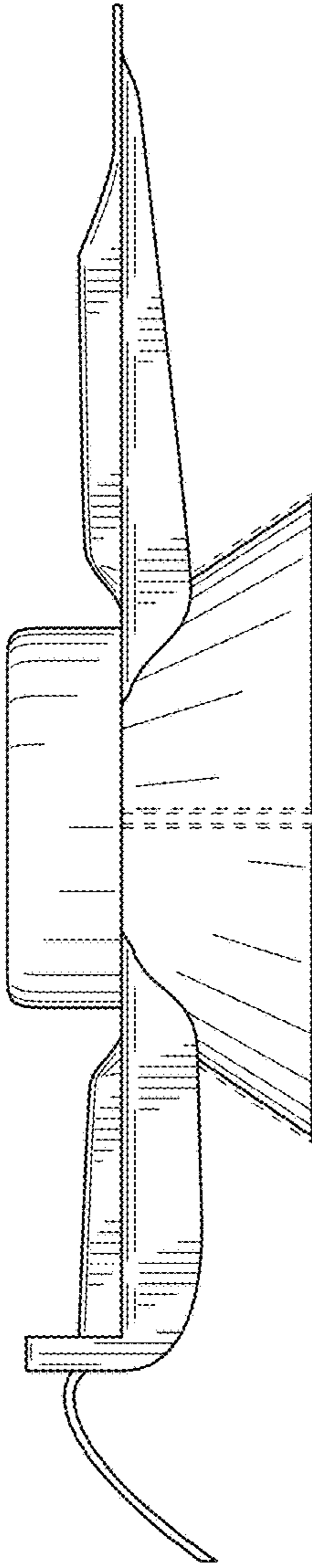


FIG. 3

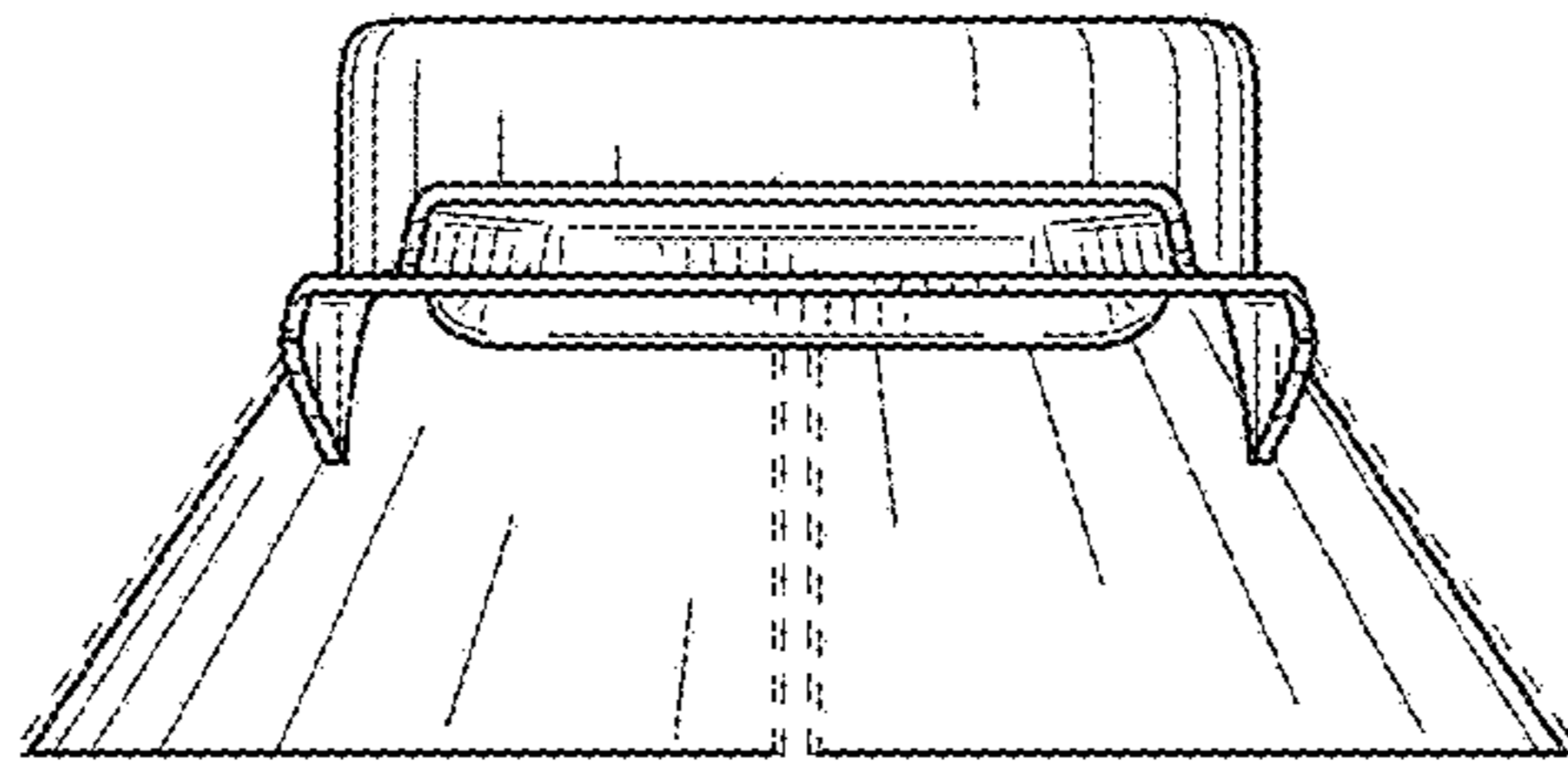


FIG. 4

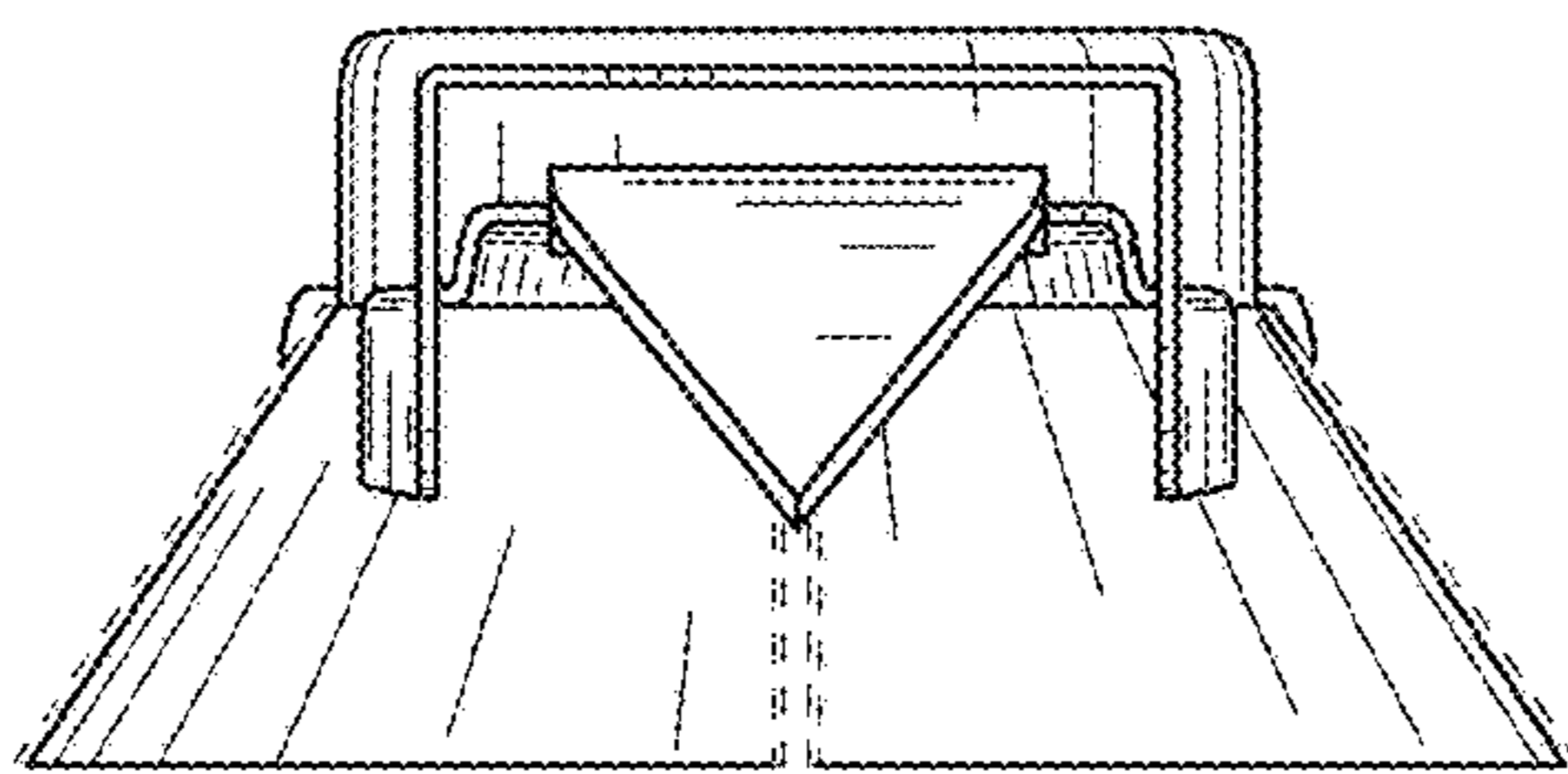


FIG. 5

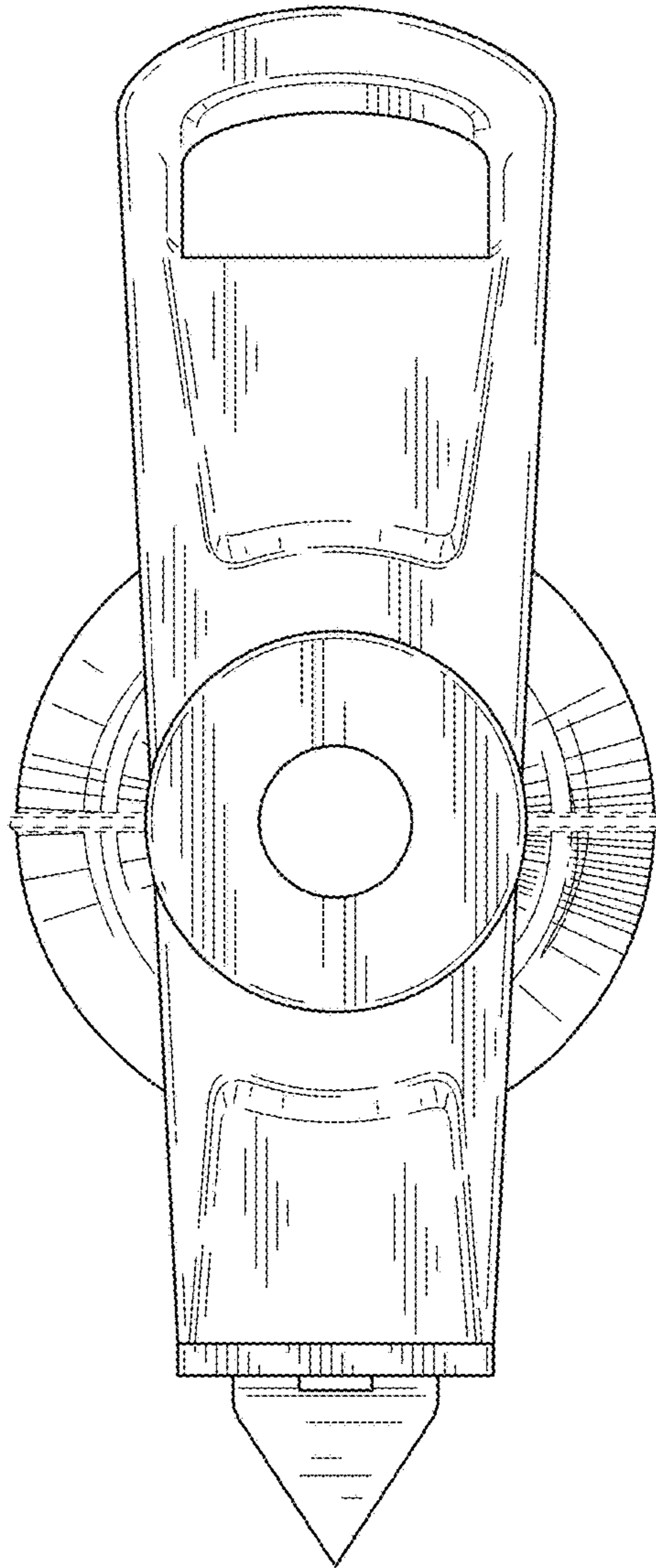


FIG. 6

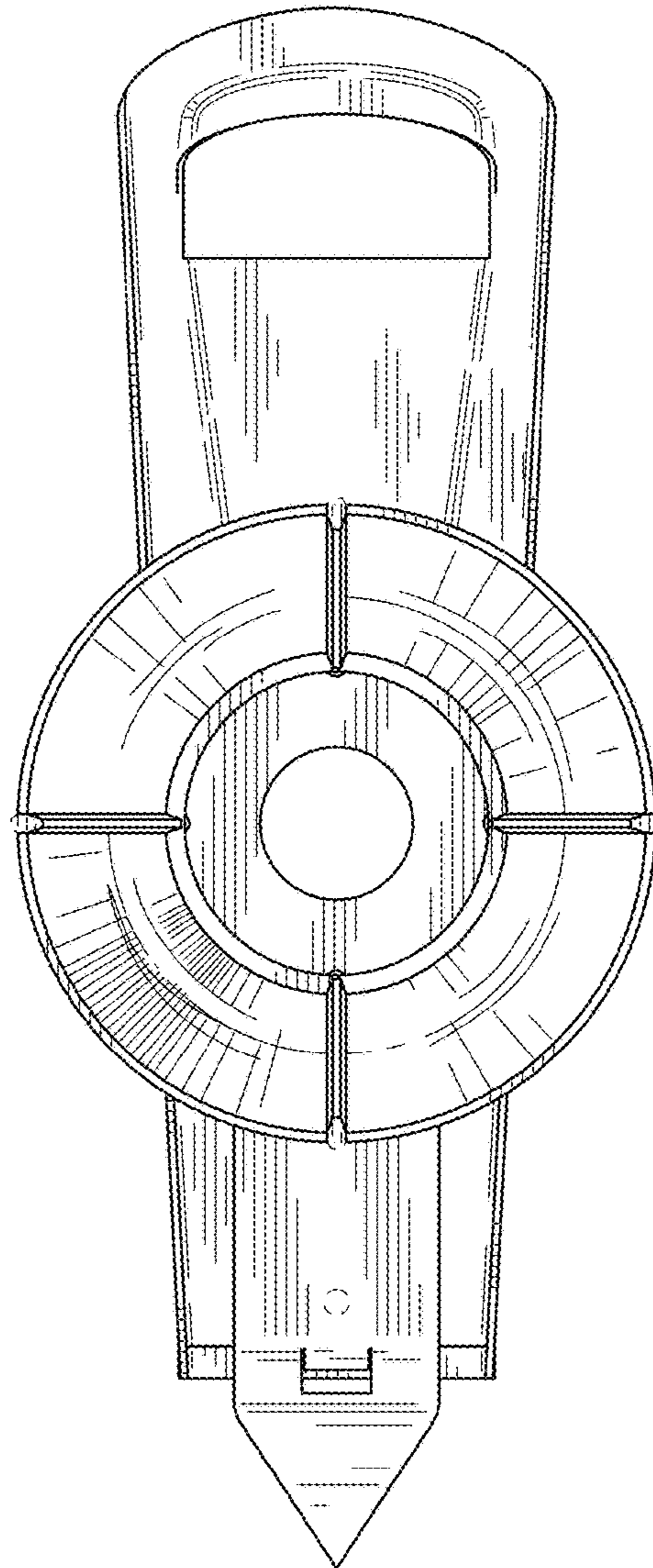


FIG. 7