



US00D867082S

(12) **United States Design Patent** (10) **Patent No.:** **US D867,082 S**
Shiner (45) **Date of Patent:** **** Nov. 19, 2019**

(54) **WATER SHUT-OFF VALVE TOOL**
(71) Applicant: **Personal and Recreational Products, Inc.**, Westlake, TX (US)
(72) Inventor: **Timothy A. Shiner**, Westlake, TX (US)
(73) Assignee: **Personal and Recreational Products, Inc.**, Westlake, TX (US)
(**) Term: **15 Years**

D634,595 S * 3/2011 Tyson D8/14
8,091,571 B2 1/2012 Weisz et al.
D742,956 S * 11/2015 Klinger D16/243
D743,222 S * 11/2015 Smith D8/14
D774,992 S * 12/2016 Hill D12/127
D776,024 S * 1/2017 Jordan D12/179
D805,862 S * 12/2017 Blackmon D8/14
2004/0217316 A1 * 11/2004 Price F16K 31/607
251/293
2005/0139042 A1 * 6/2005 Leighton B25B 13/06
81/124.4
2006/0011881 A1 1/2006 Leighton
2007/0028727 A1 2/2007 Schiller
2015/0165601 A1 * 6/2015 Braude F16K 31/60
81/53.1

(21) Appl. No.: **29/647,357**

(22) Filed: **May 11, 2018**

(51) **LOC (12) Cl.** **08-05**

(52) **U.S. Cl.**
USPC **D8/14**

(58) **Field of Classification Search**
USPC D8/14, 21; D22/117
CPC B25B 13/00; B25B 13/50; B25B 13/02;
F16K 3/44; F16K 31/60; F16K 31/607
See application file for complete search history.

(56) **References Cited**

U.S. PATENT DOCUMENTS

407,955 A 7/1889 Kallaher et al.
5,271,300 A 12/1993 Zurbuchen et al.
5,327,925 A 7/1994 Ortel
D364,542 S * 11/1995 Pollard D8/14
5,638,964 A 6/1997 Ernst
D387,255 S * 12/1997 Rhoton D8/21
5,983,759 A 11/1999 Turner
6,044,732 A * 4/2000 Astle B25B 13/02
81/124.2
6,364,285 B1 * 4/2002 Stinnett F16K 31/46
251/293
D472,777 S * 4/2003 Halstead D8/28
7,000,897 B2 * 2/2006 Chick F16K 31/46
251/293
7,055,412 B2 * 6/2006 Leighton B25B 13/06
81/124.4

OTHER PUBLICATIONS

Martin and Martin, "LabVIEW for Automotive, Telecommunications, Semiconductor, Biomedical, and Other Applications," Prentice Hall, May 2000, pp. 29-34.

* cited by examiner

Primary Examiner — Philip S Hyder
(74) *Attorney, Agent, or Firm* — Fish & Richardson P.C.

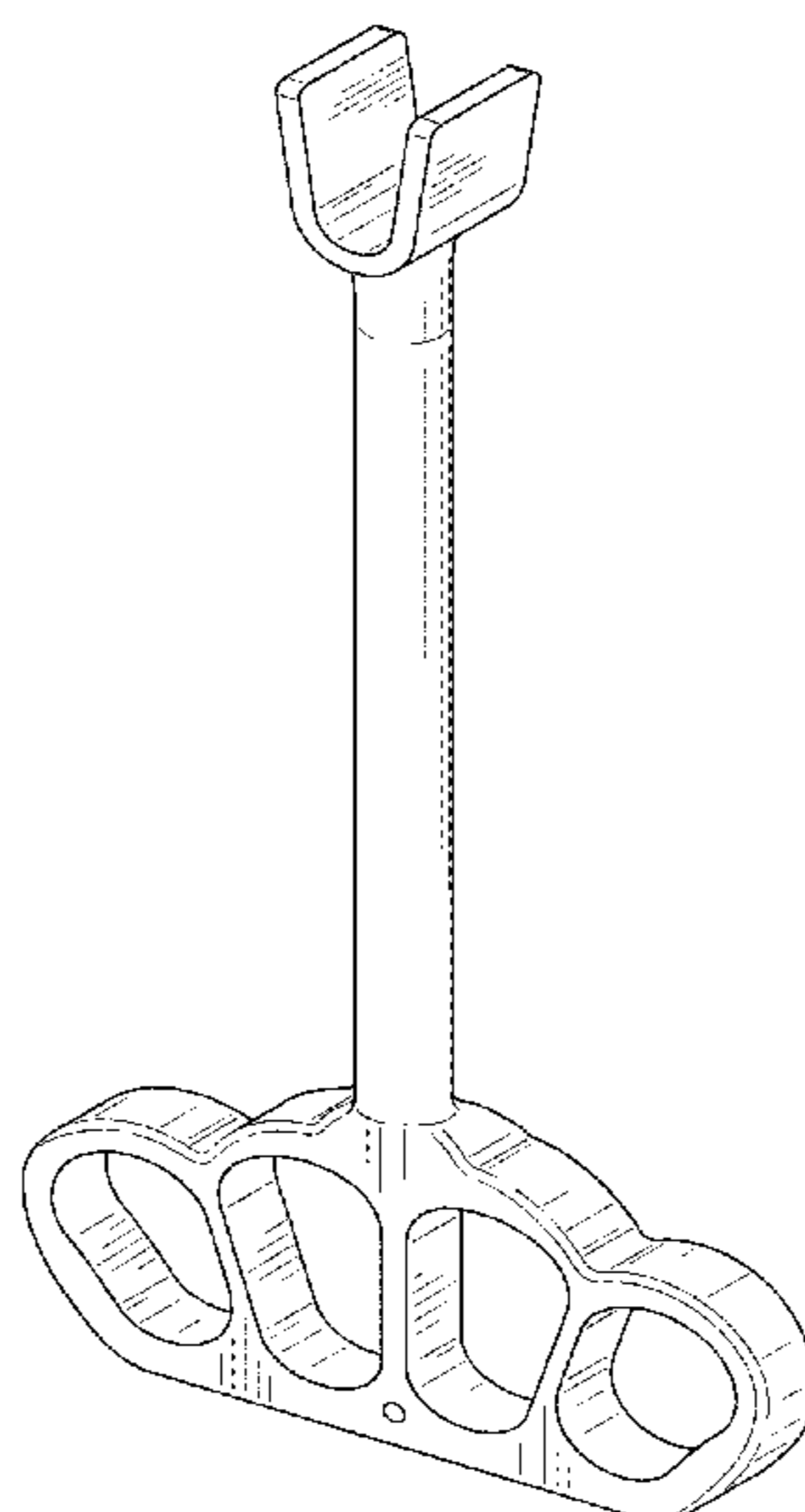
(57) **CLAIM**

The ornamental design for a water shut-off valve tool, as shown and described.

DESCRIPTION

FIG. 1 is a front top perspective view of a water shut-off valve tool showing the claimed design, the back top perspective view is identical;
FIG. 2 is a front view thereof;
FIG. 3 is a back view thereof;
FIG. 4 is a left side view thereof;
FIG. 5 is a right side view thereof;
FIG. 6 is a top view thereof; and,
FIG. 7 is a bottom view thereof.

1 Claim, 5 Drawing Sheets



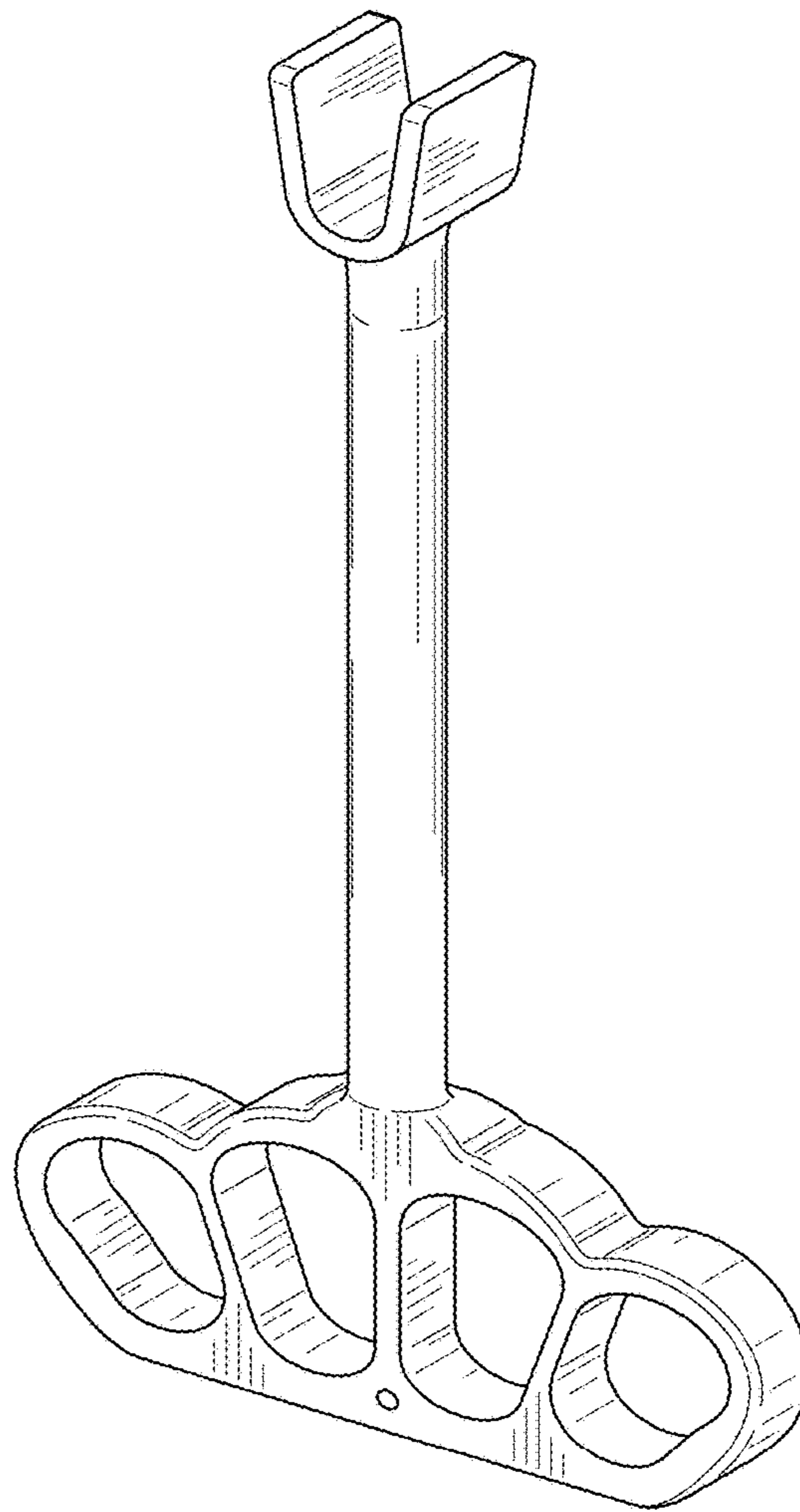


FIG. 1

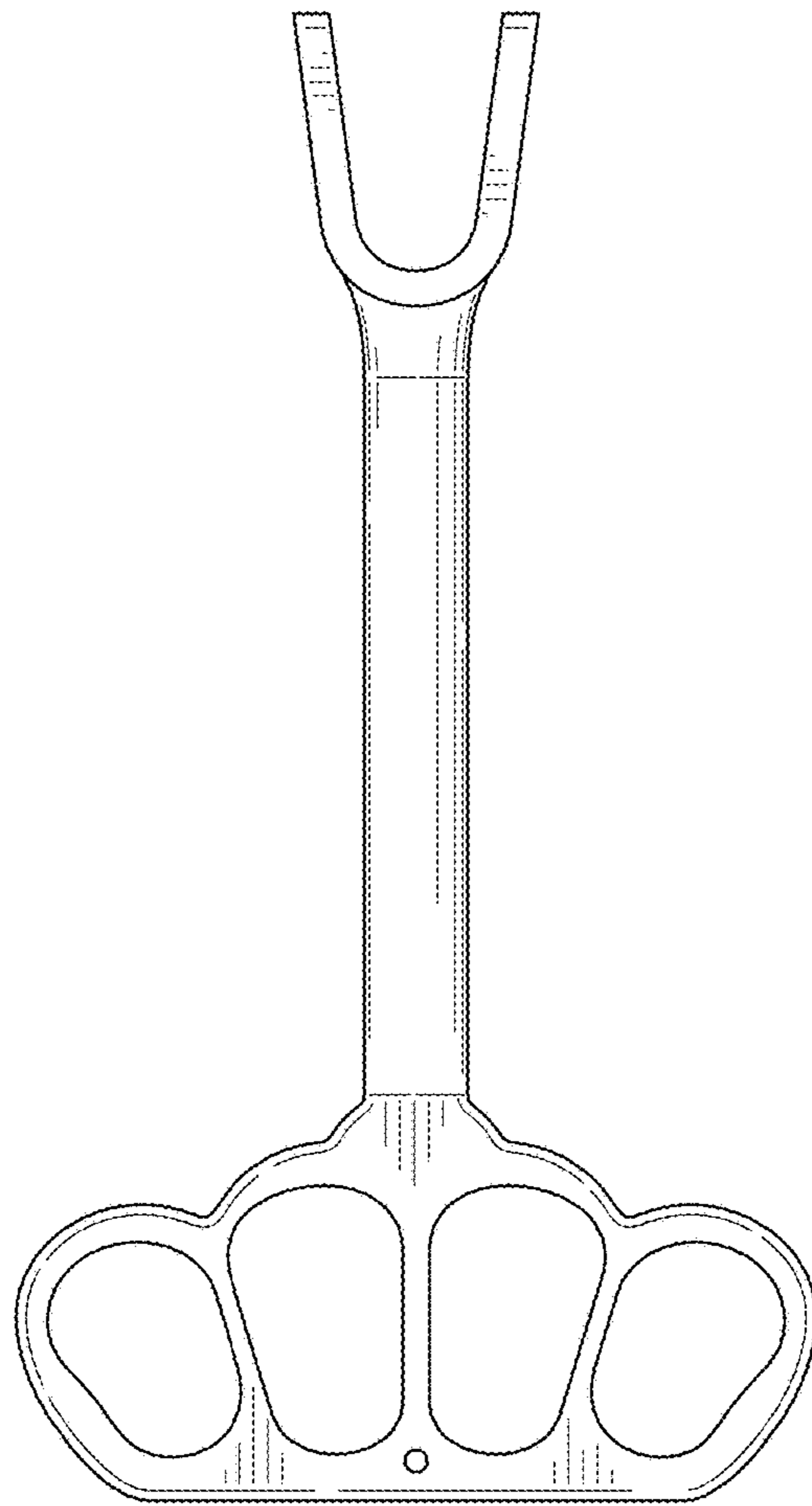


FIG. 2

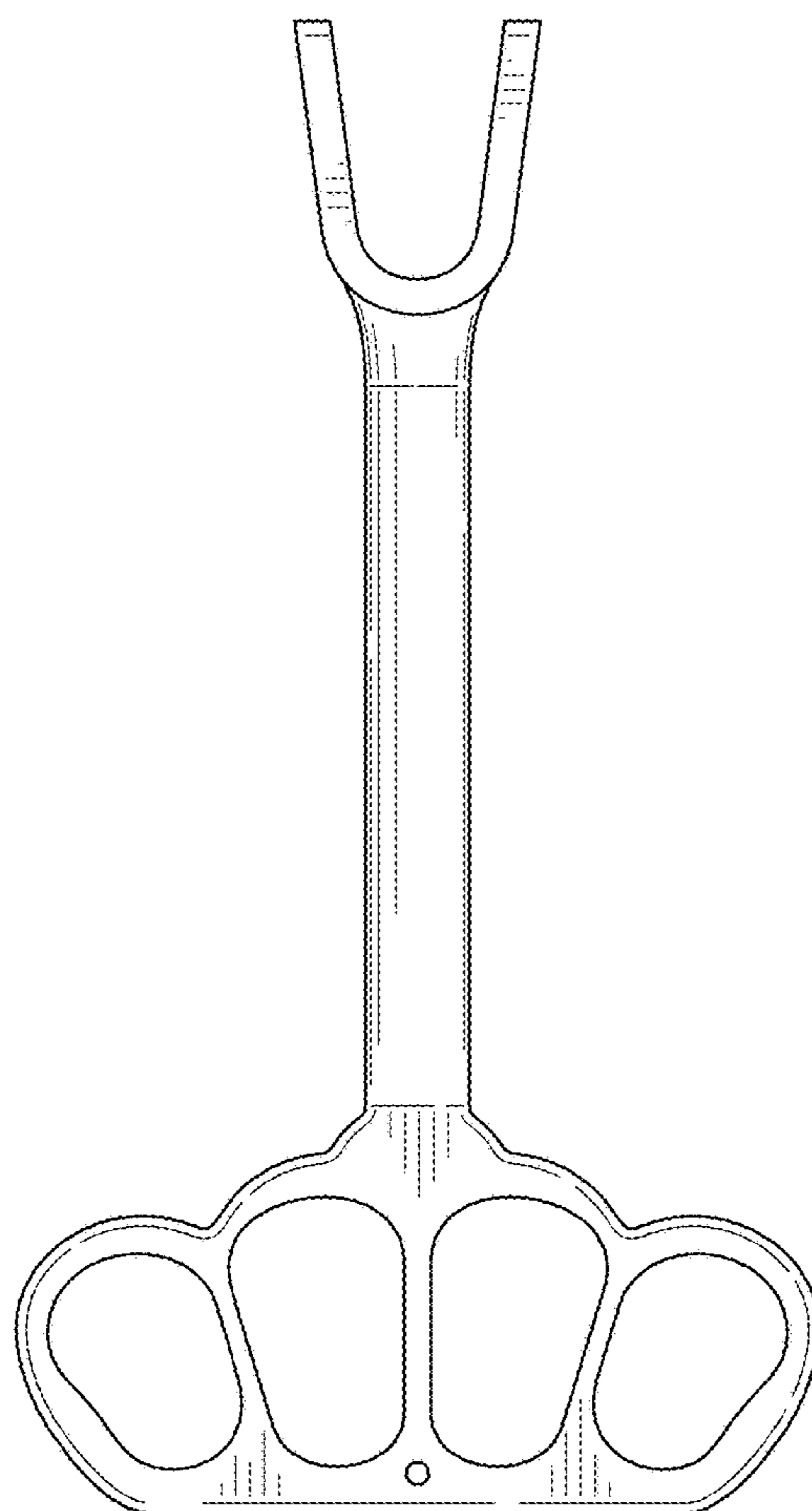


FIG. 3

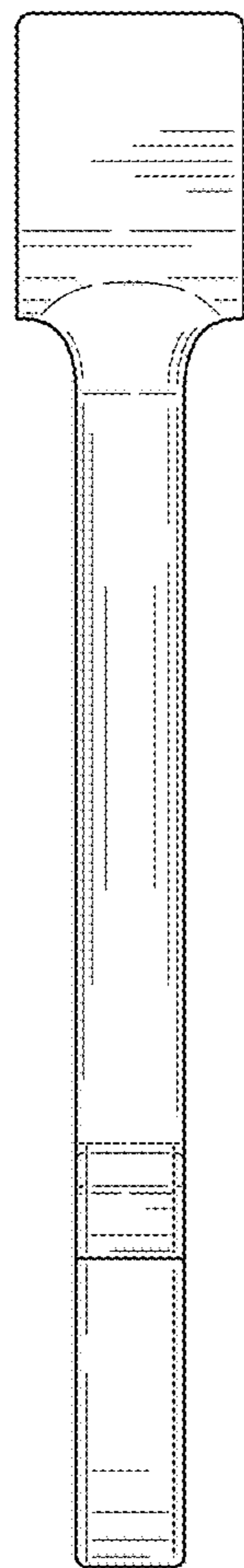


FIG. 4

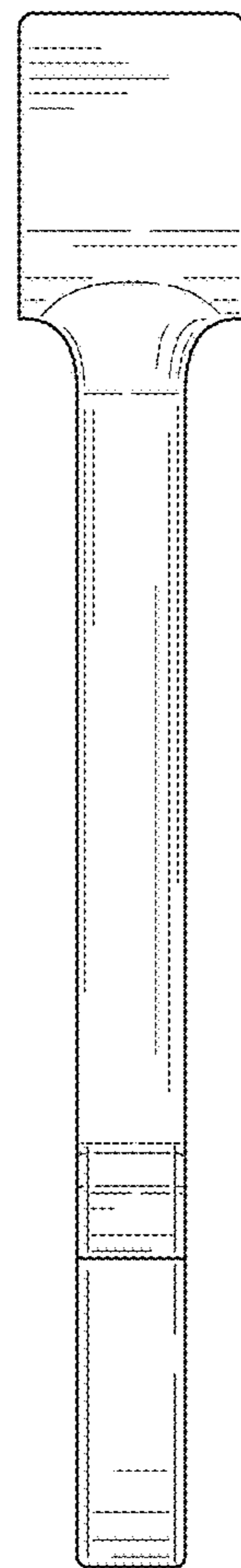


FIG. 5

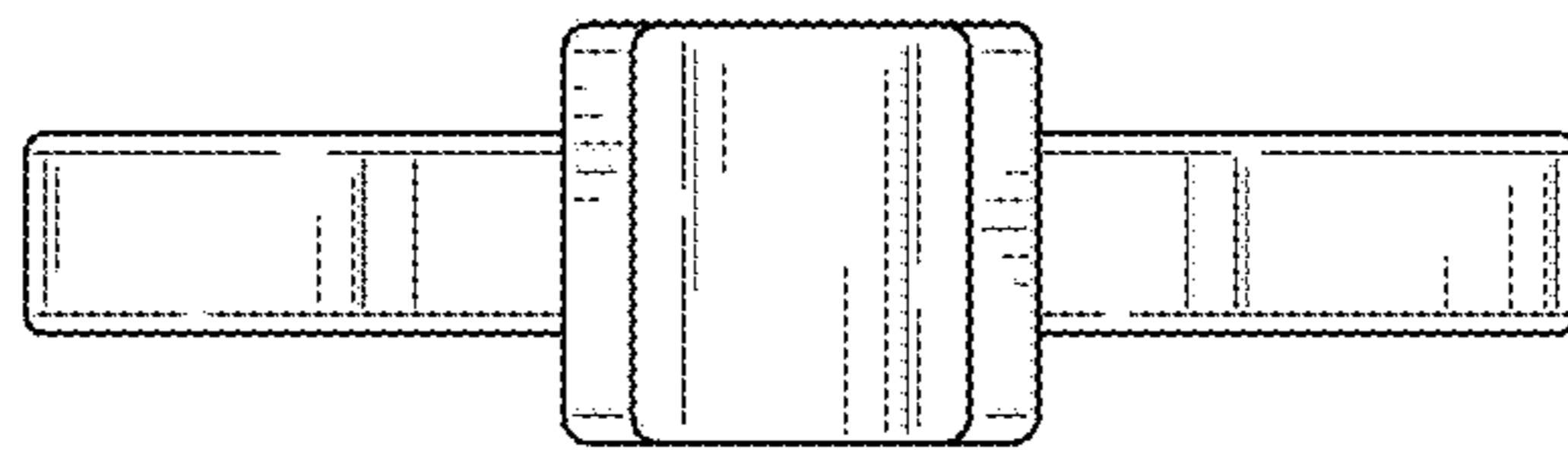


FIG. 6

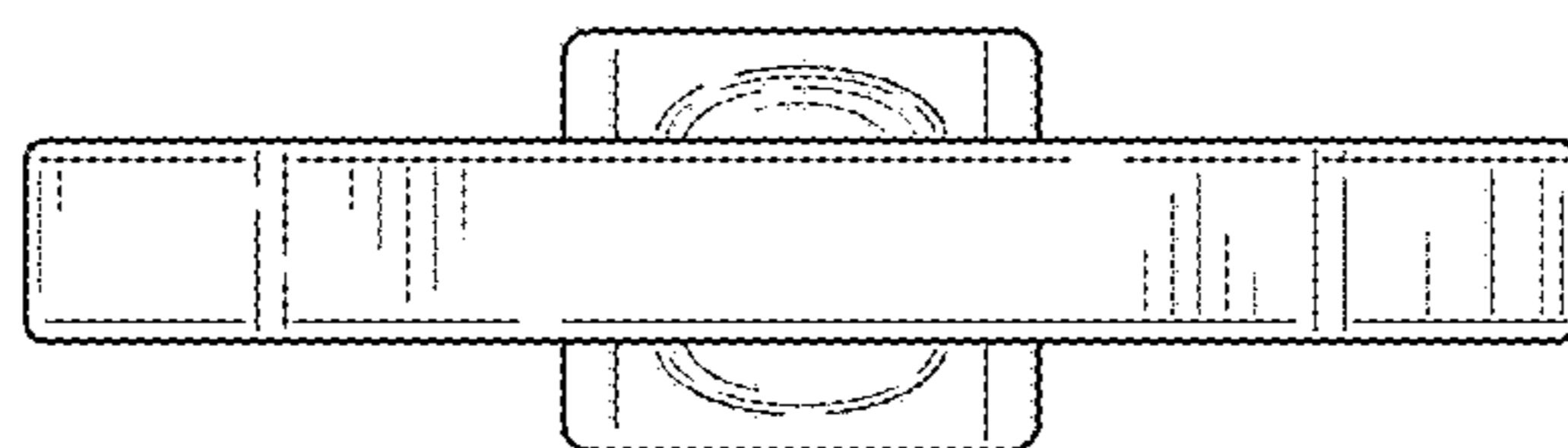


FIG. 7