

US00D867081S

(12) **United States Design Patent**
Chiang

(10) **Patent No.:** **US D867,081 S**

(45) **Date of Patent:** **** Nov. 19, 2019**

(54) **MAGNETIC HAND TOOL FOR
MAGNETICALLY PICKING UP ELEMENTS**

(71) Applicant: **Po-Yi Chiang**, Taichung (TW)

(72) Inventor: **Po-Yi Chiang**, Taichung (TW)

(**) Term: **15 Years**

(21) Appl. No.: **29/631,331**

(22) Filed: **Dec. 29, 2017**

(51) **LOC (12) Cl.** **08-05**

(52) **U.S. Cl.**
USPC **D8/14**

(58) **Field of Classification Search**
USPC D8/14
CPC H01F 13/00; A47L 13/41; B25B 9/00
See application file for complete search history.

(56) **References Cited**

U.S. PATENT DOCUMENTS

3,467,926	A *	9/1969	Smith	H01F 13/00 335/284
3,662,303	A *	5/1972	Arllof	H01F 13/00 335/284
4,105,239	A *	8/1978	Akczinski, Sr.	A47L 13/41 294/65.5
4,219,062	A *	8/1980	Berkman	B25B 23/12 24/303
D261,973	S *	11/1981	Grover	D13/183
4,802,702	A *	2/1989	Bownds	A47L 13/41 294/65.5
5,169,193	A *	12/1992	Stelmach	B25J 1/02 294/65.5
D378,337	S *	3/1997	Reynolds	D8/14

D397,006	S *	8/1998	Coleman, Jr.	D8/14
5,861,789	A *	1/1999	Bundy	B25B 23/12 335/284
6,249,199	B1 *	6/2001	Liu	B25B 23/12 335/284
6,312,138	B1 *	11/2001	Coleman, Jr.	B25B 9/00 294/65.5
6,392,517	B1 *	5/2002	Coleman, Jr.	H01F 7/0257 294/65.5
D560,452	S *	1/2008	Langford	D8/14

* cited by examiner

Primary Examiner — Philip S Hyder

(57) **CLAIM**

The ornamental design for a magnetic hand tool for magnetically picking up elements, as shown and described.

DESCRIPTION

FIG. 1 is a perspective view of a first embodiment of the magnetic hand tool for magnetically picking up elements showing my new design;

FIG. 2 is a front elevation view of the magnetic hand tool for magnetically picking up elements of FIG. 1;

FIG. 3 is a rear elevation view of the magnetic hand tool for magnetically picking up elements of FIG. 1;

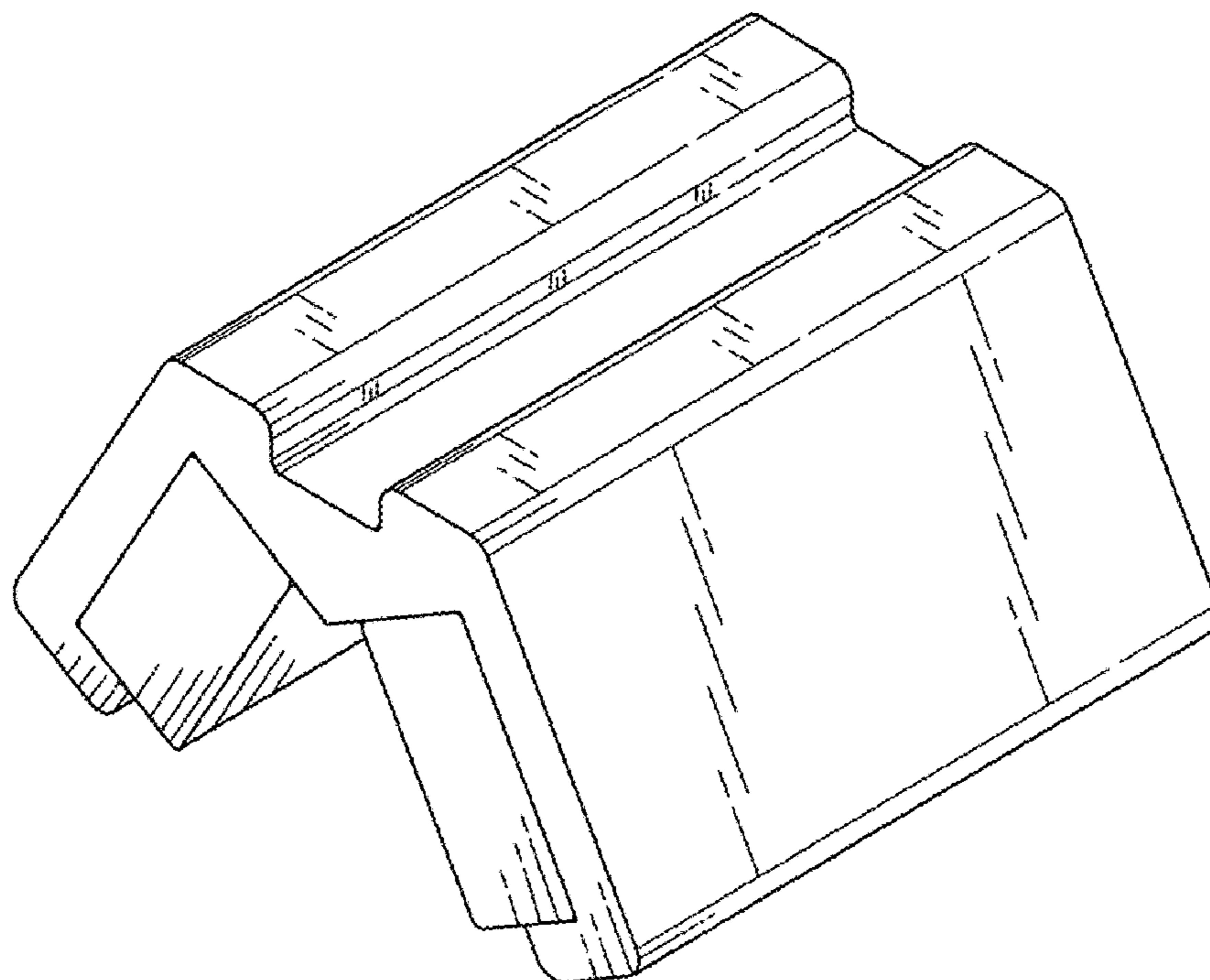
FIG. 4 is a left side elevation view of the magnetic hand tool for magnetically picking up elements of FIG. 1;

FIG. 5 is a right side elevation view of the magnetic hand tool for magnetically picking up elements of FIG. 1;

FIG. 6 is a top plan view of the magnetic hand tool for magnetically picking up elements of FIG. 1, and,

FIG. 7 is a bottom plan view of the magnetic hand tool for magnetically picking up elements of FIG. 1.

1 Claim, 4 Drawing Sheets



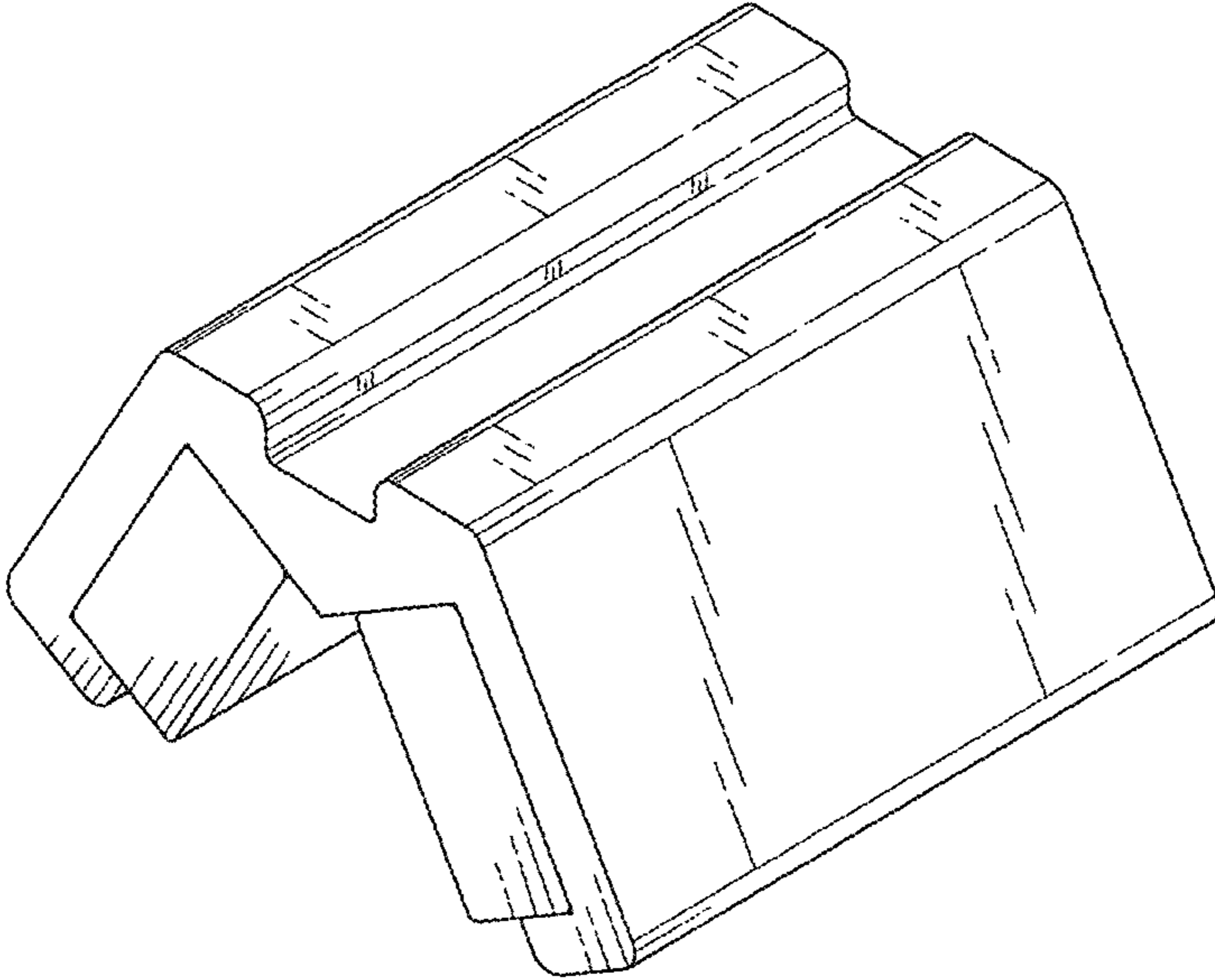


FIG.1

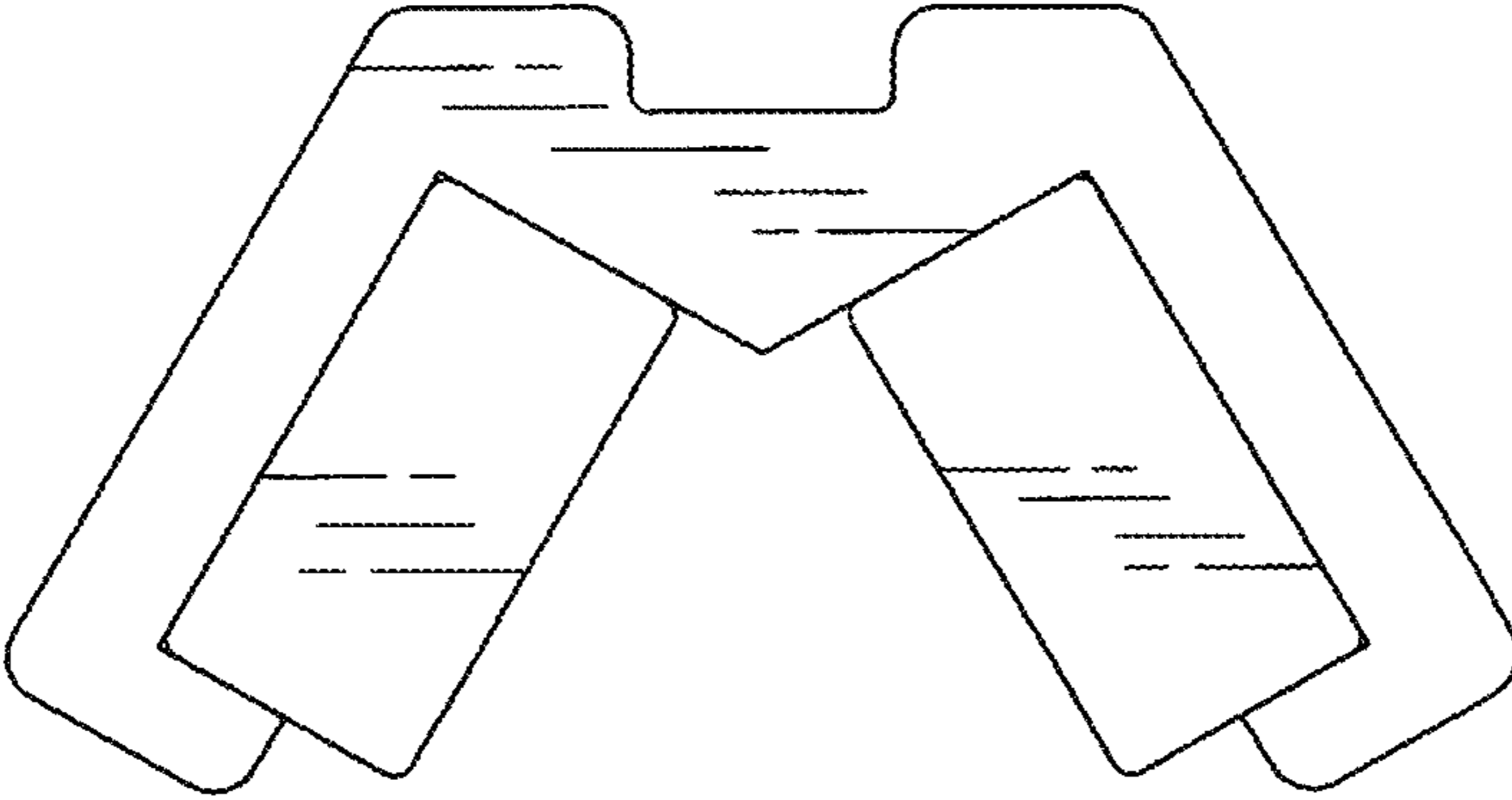


FIG. 2

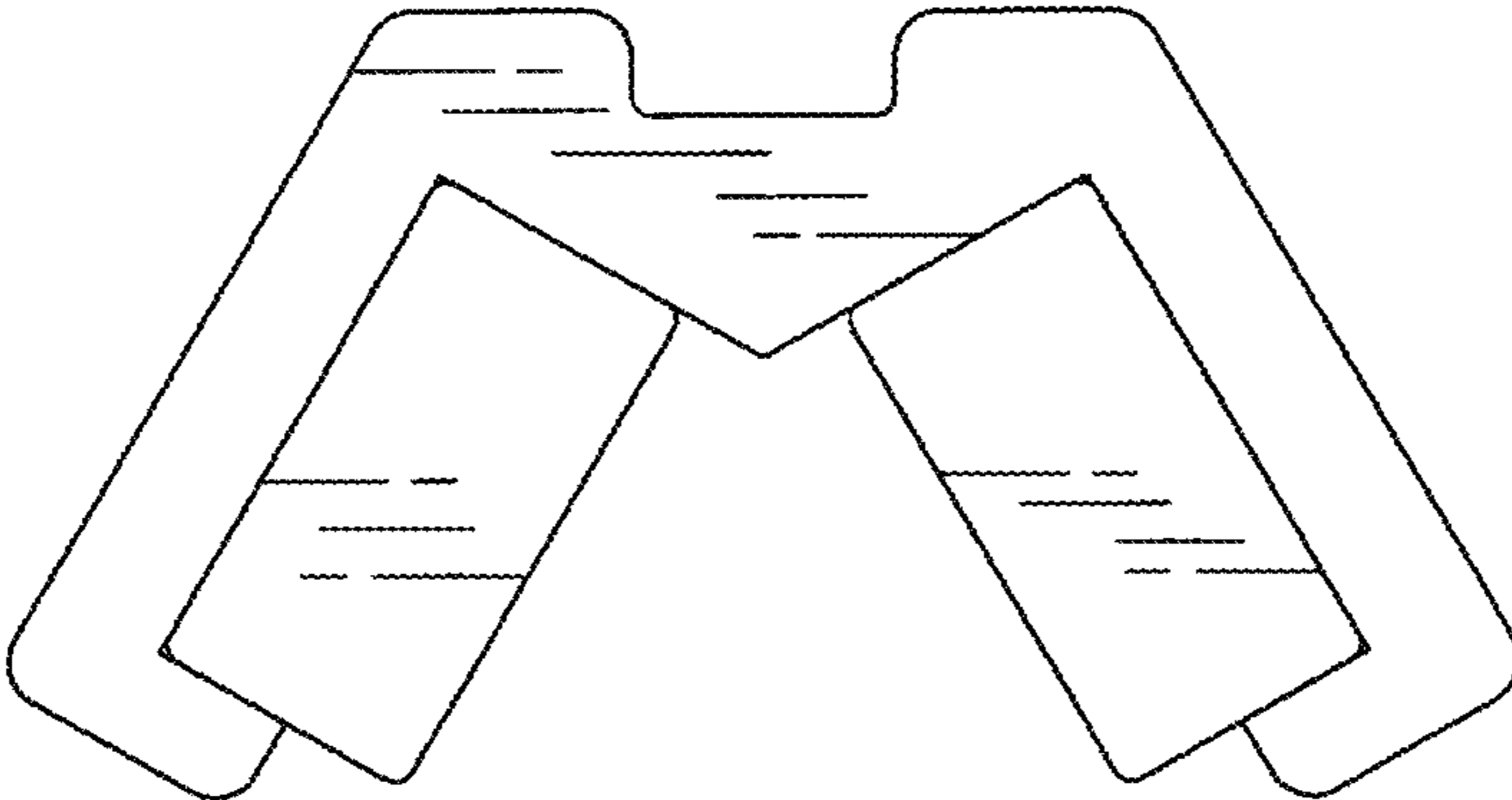


FIG. 3

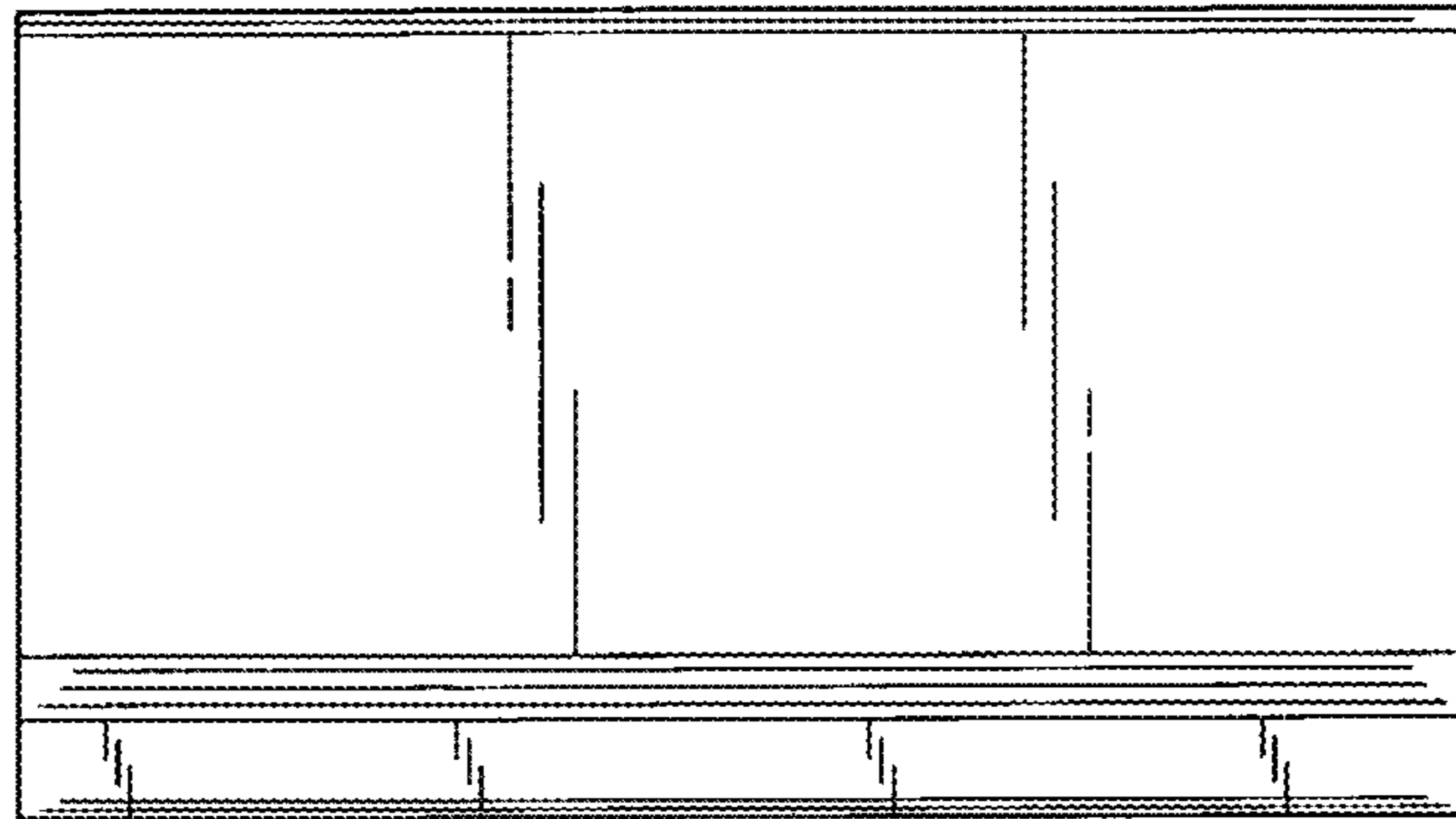


FIG. 4

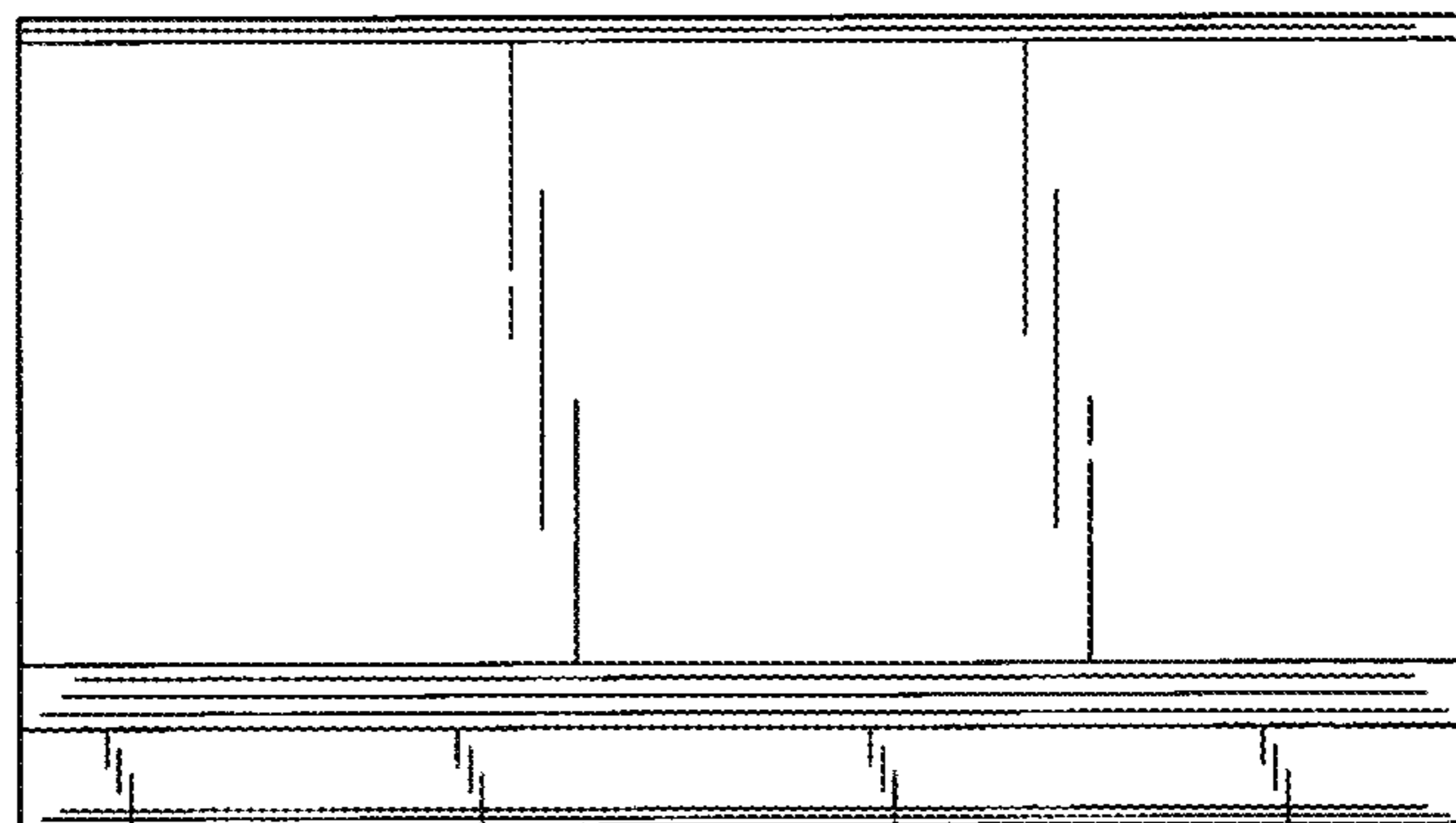


FIG. 5

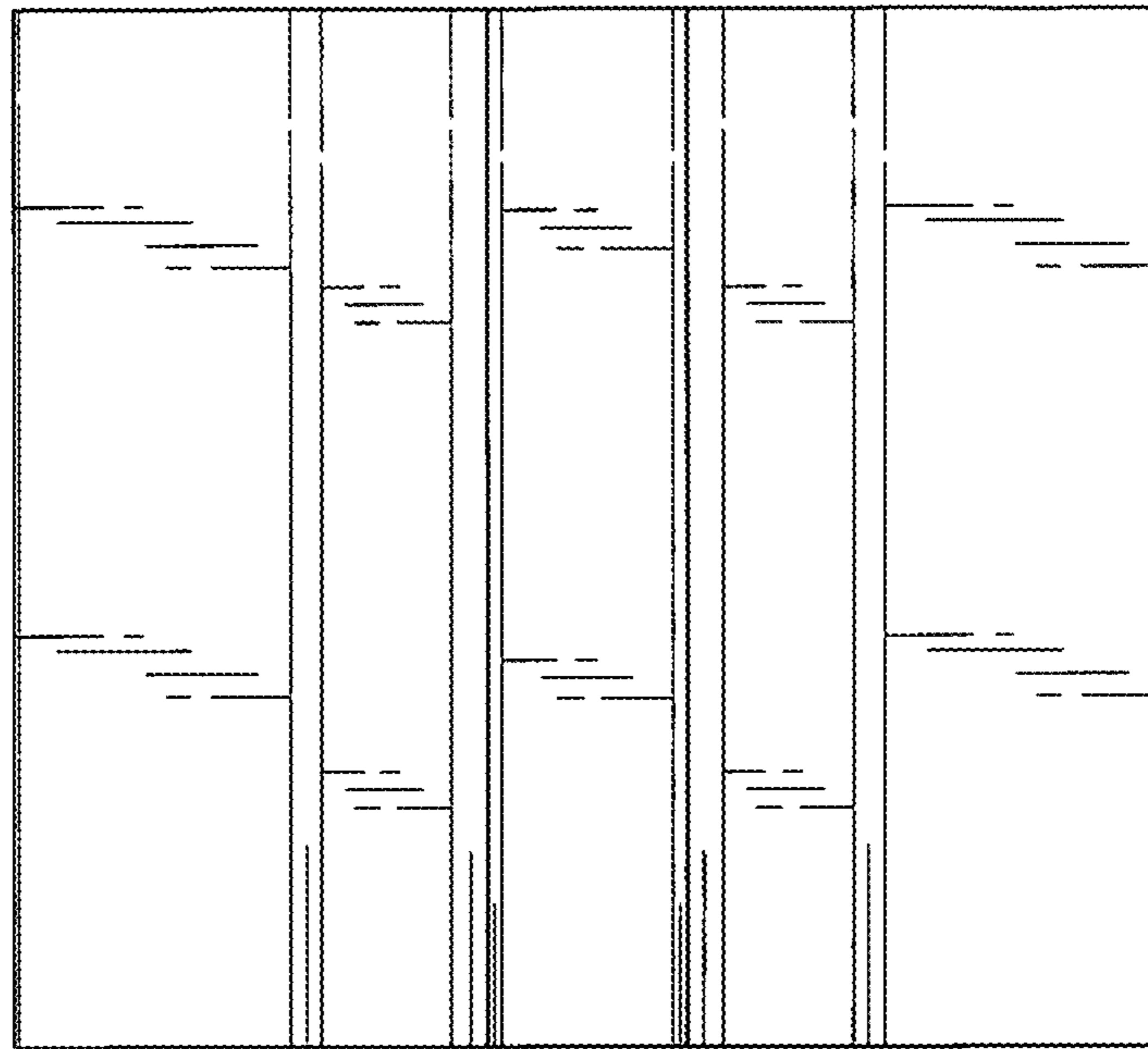


FIG. 6

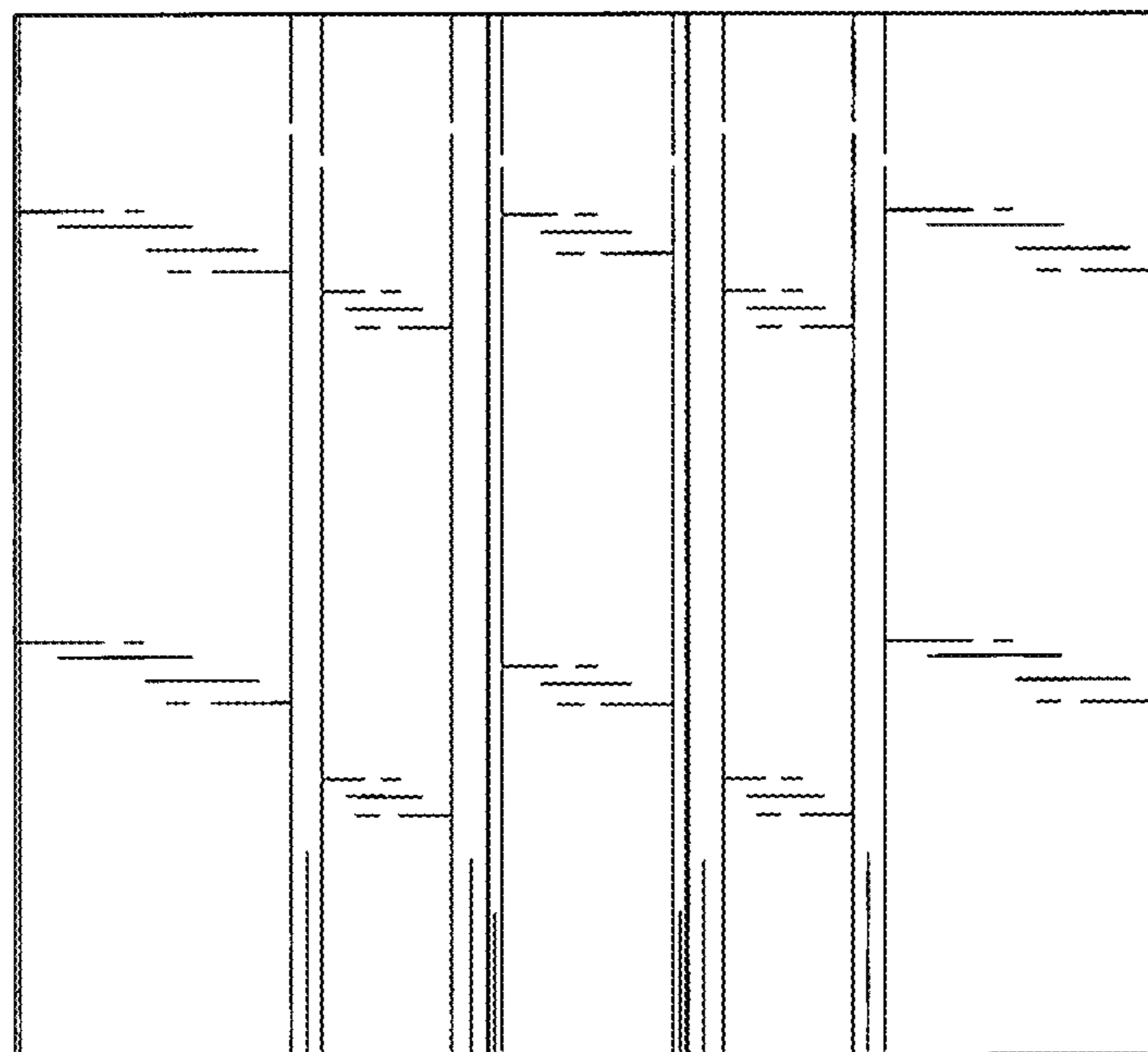


FIG. 7