



US00D867080S

(12) **United States Design Patent**
Stafford

(10) **Patent No.:** **US D867,080 S**

(45) **Date of Patent:** **** Nov. 19, 2019**

(54) **CEDAR SHEARS**

(71) Applicant: **Kevin Stafford**, Crossroads, TX (US)

(72) Inventor: **Kevin Stafford**, Crossroads, TX (US)

(**) Term: **15 Years**

(21) Appl. No.: **29/638,834**

(22) Filed: **Mar. 1, 2018**

(51) **LOC (12) Cl.** **08-01**

(52) **U.S. Cl.**
USPC **D8/5**

(58) **Field of Classification Search**
USPC D8/4-5, 52, 54, 57
See application file for complete search history.

(56) **References Cited**

U.S. PATENT DOCUMENTS

D657,219 S *	4/2012	Kawell	D8/52
D695,084 S *	12/2013	Jensen	D8/52
D704,520 S *	5/2014	Lyytikainen	D8/5
2013/0219722 A1 *	8/2013	Cordoba Sanchez ...	B26B 13/26	30/188

* cited by examiner

Primary Examiner — Sheryl Lane

(74) *Attorney, Agent, or Firm* — David G. Moore

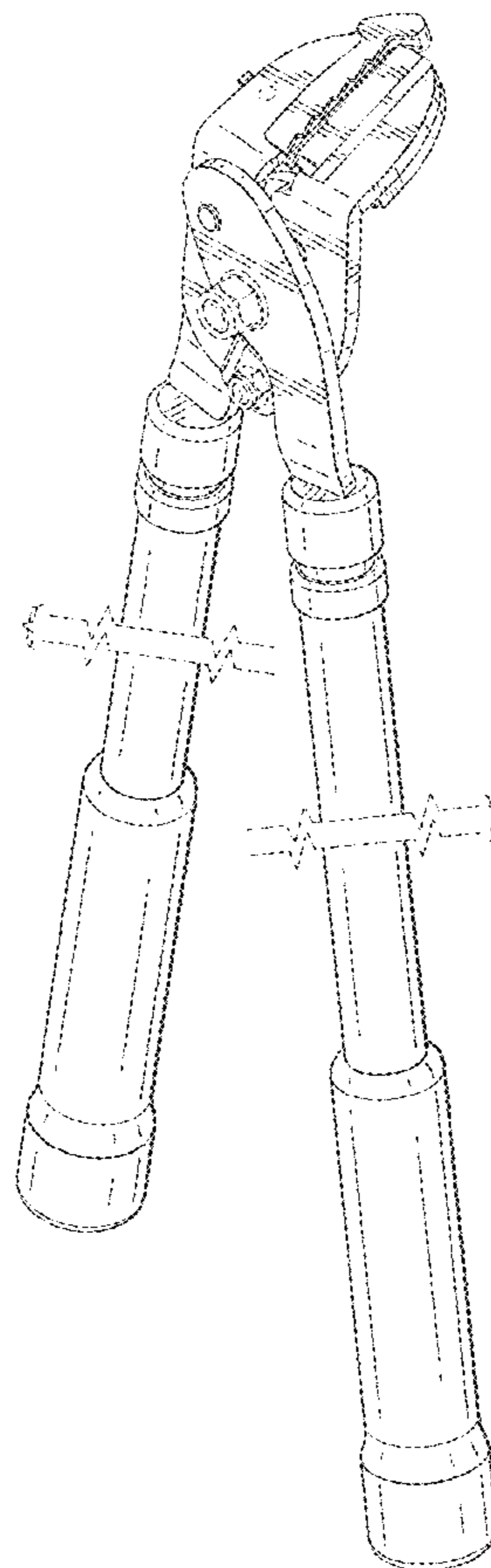
(57) **CLAIM**

The ornamental design for cedar shears, as shown and described.

DESCRIPTION

FIG. 1 is a bottom perspective view of the cedar shears, showing my new design;
 FIG. 2 is a top perspective view of the cedar shears;
 FIG. 3 is a bottom plan view thereof;
 FIG. 4 is a right side elevational view thereof;
 FIG. 5 is a left side elevational view thereof;
 FIG. 6 is a front elevational view thereof;
 FIG. 7 is a rear elevational view thereof; and,
 FIG. 8 is another perspective view thereof.
 The broken lines represent portions of the cedar shears and form no part of the claimed design.
 The shears are shown with a symbolic break in the length of the handles. The appearance of any portion of the article between the break lines forms no part of the claimed design.

1 Claim, 6 Drawing Sheets



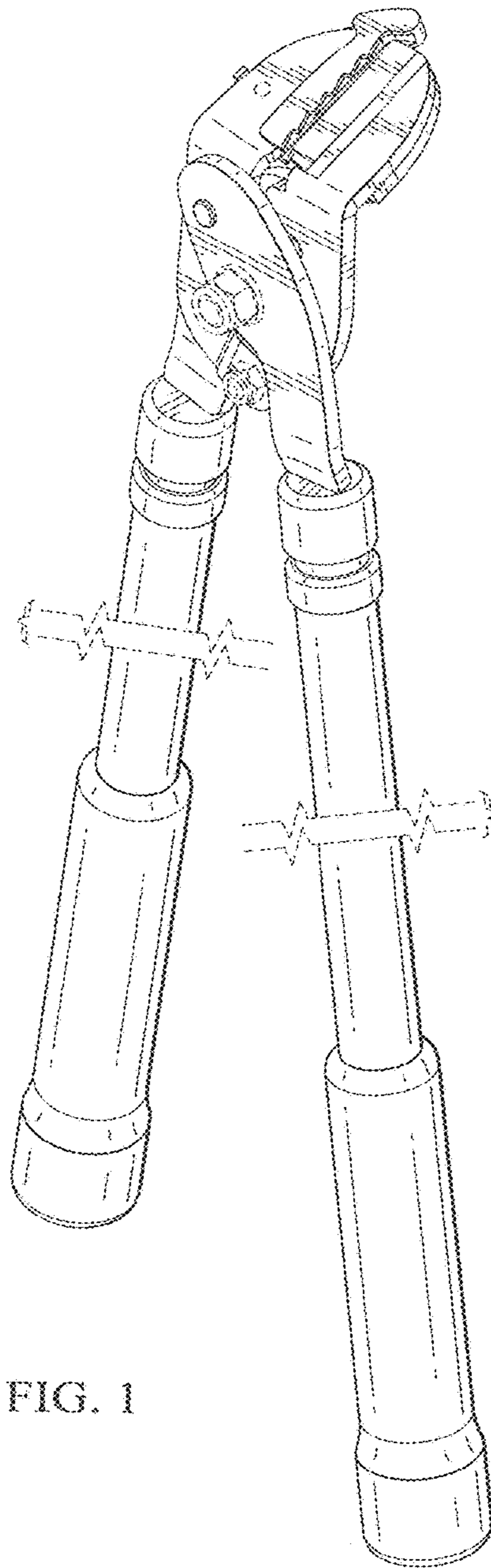


FIG. 1

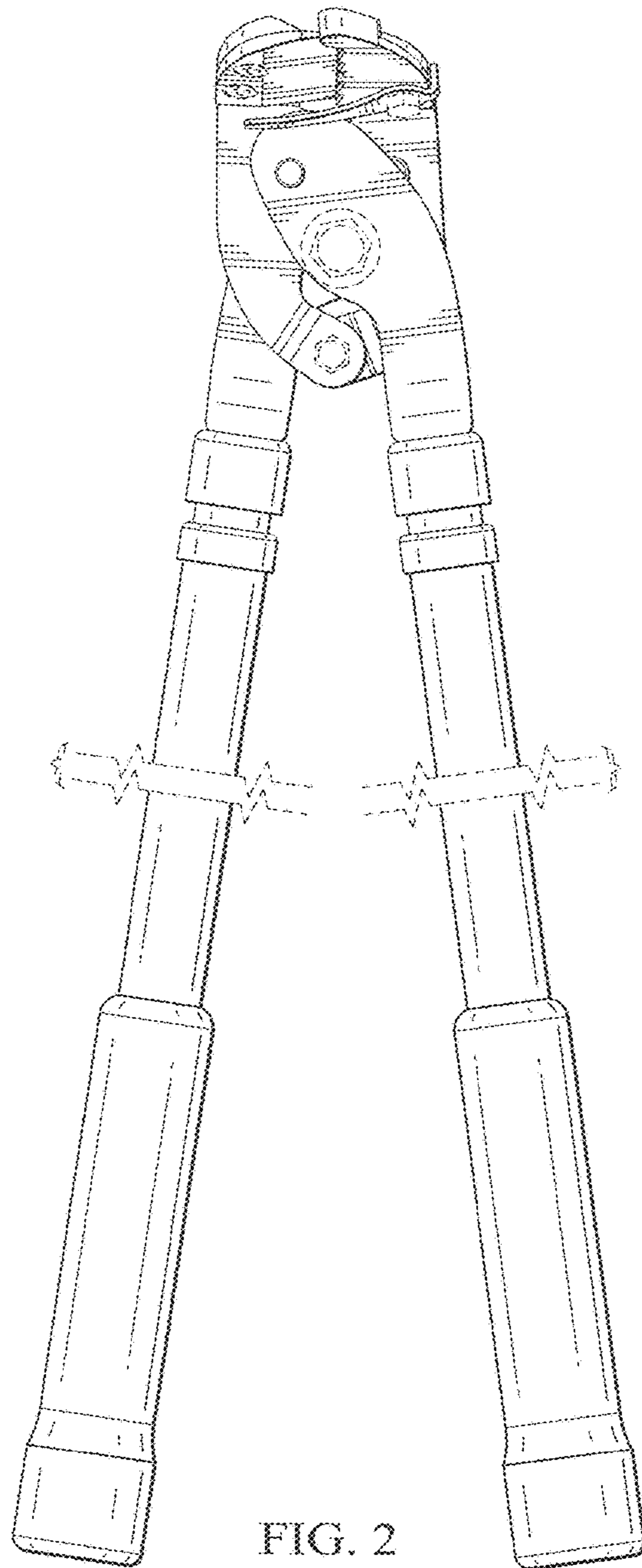


FIG. 2

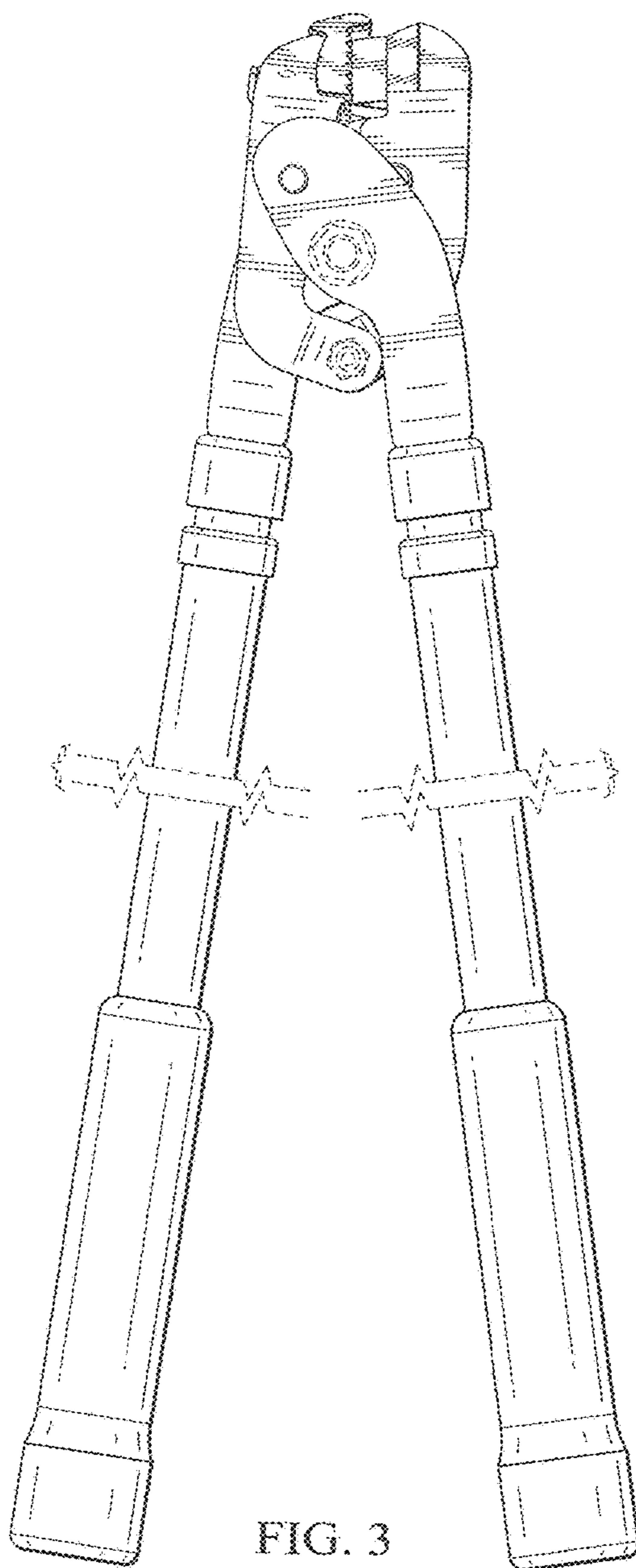
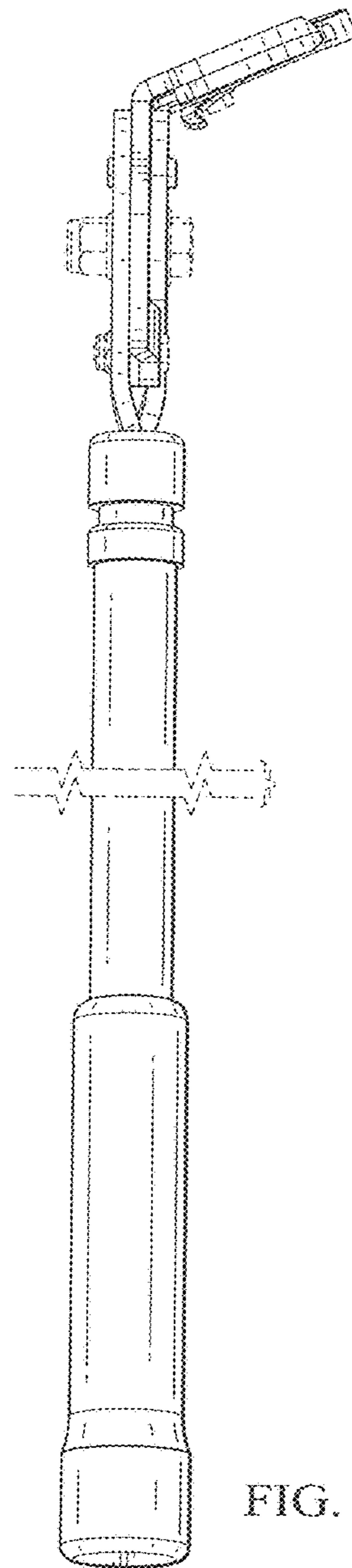
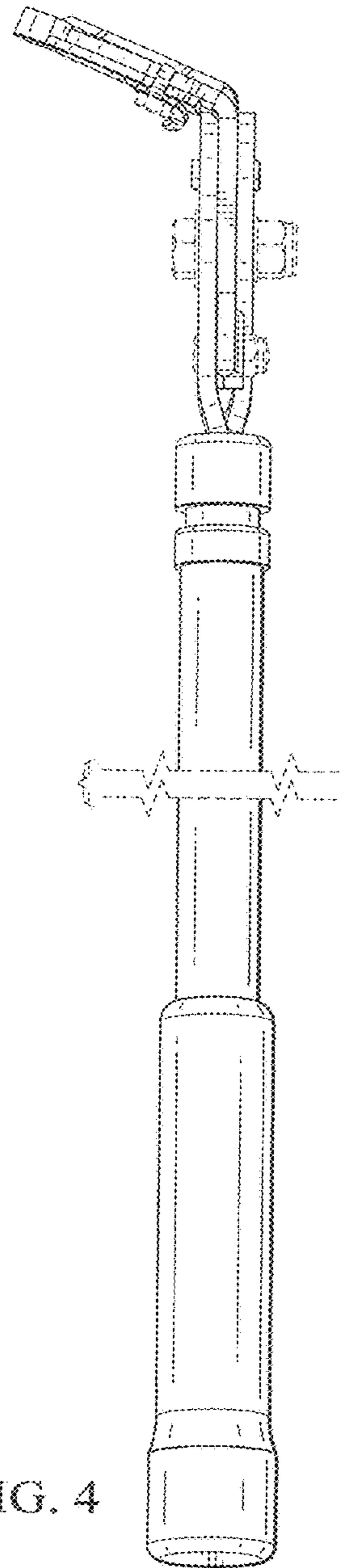


FIG. 3



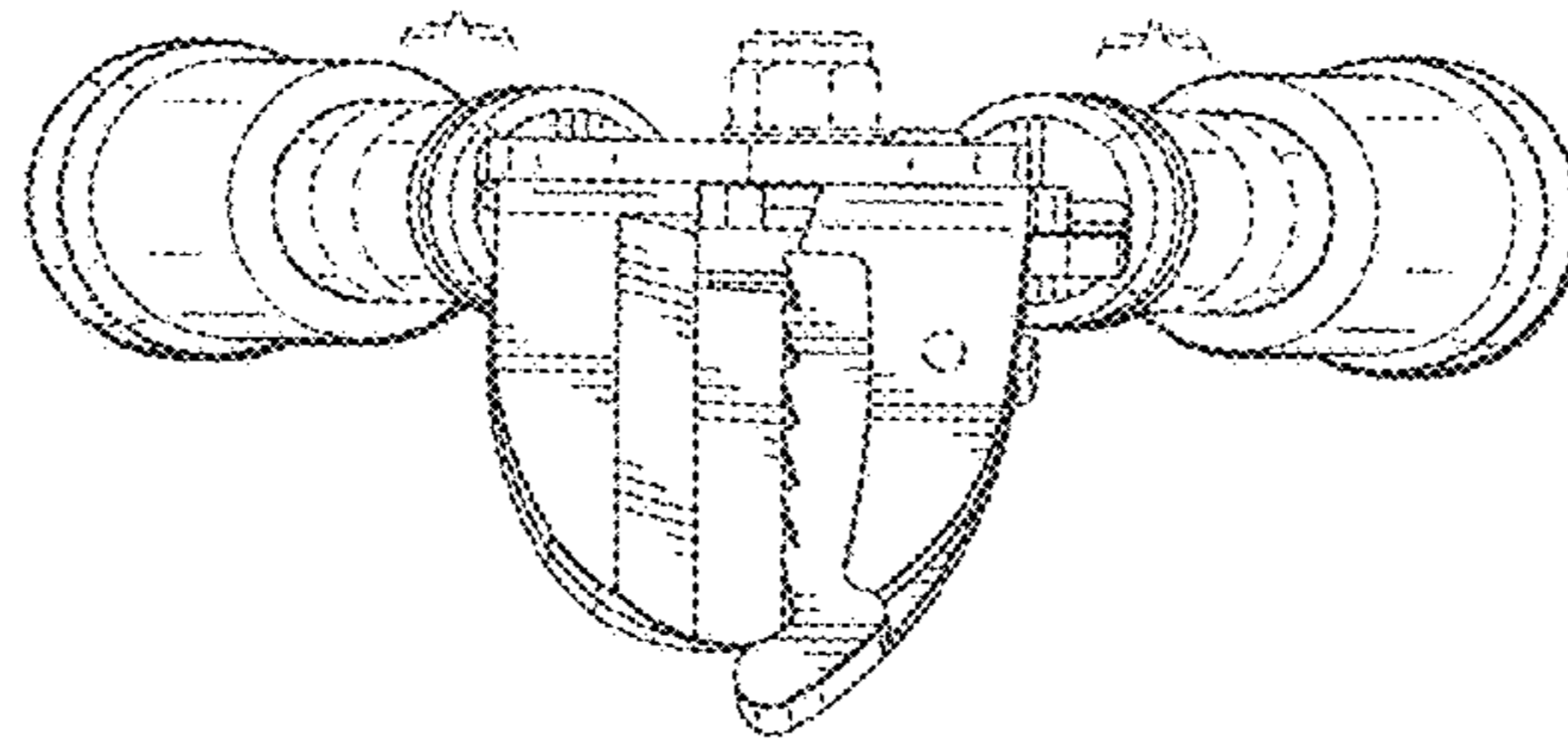


FIG. 6

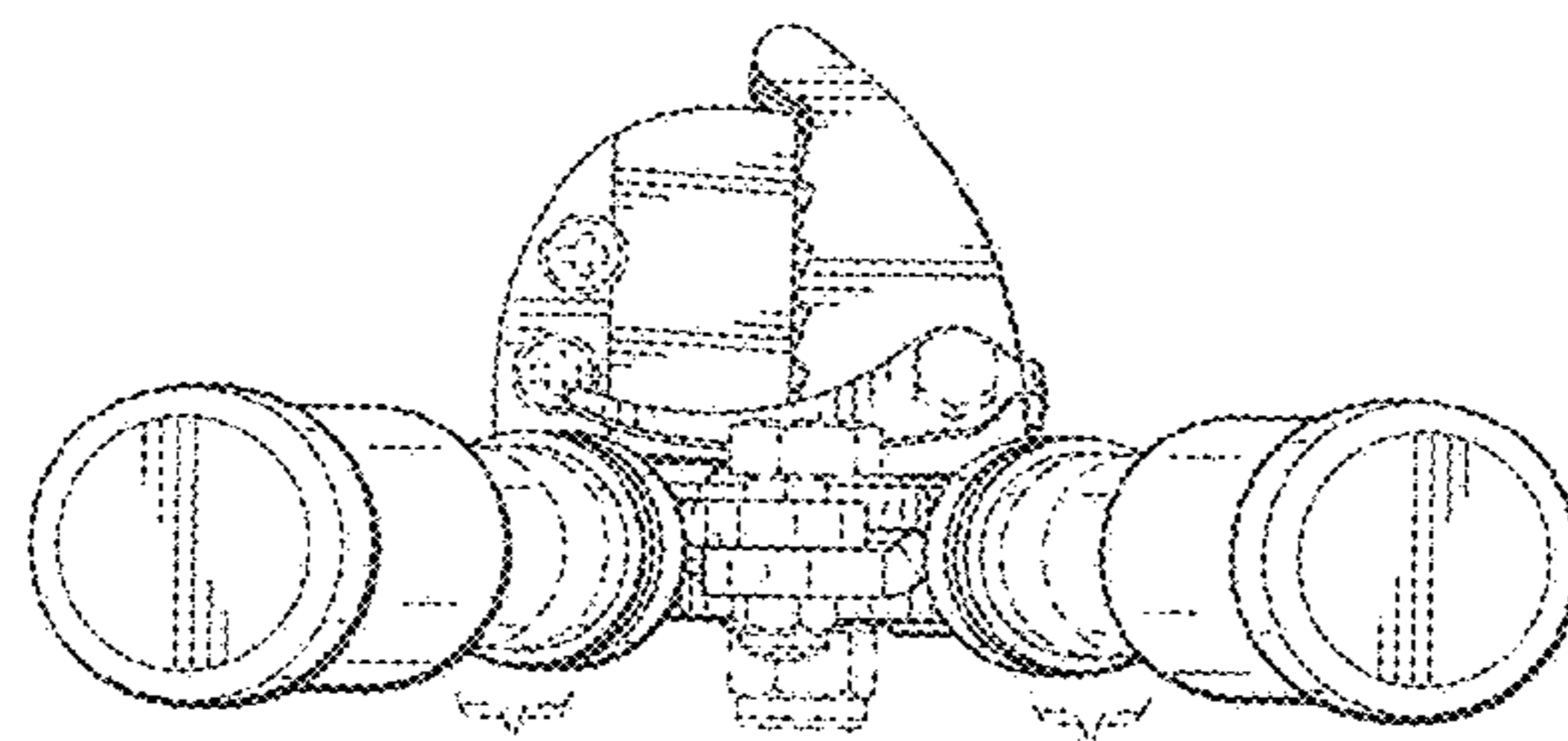


FIG. 7

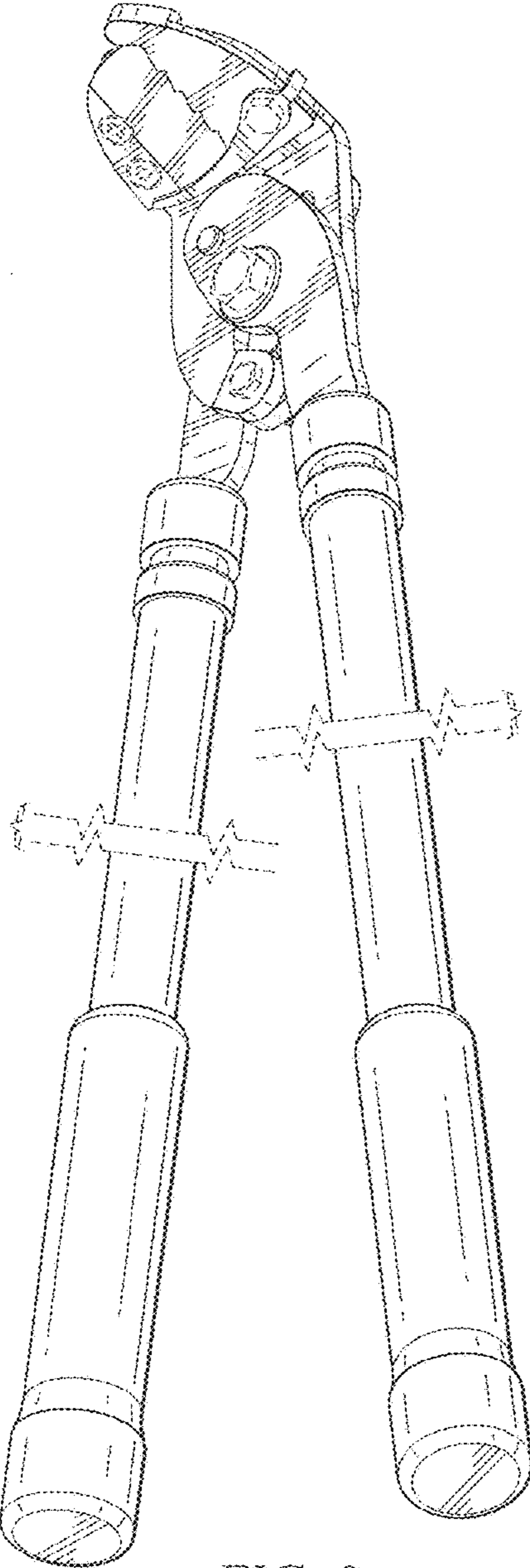


FIG. 8